



US00D562415S

(12) **United States Design Patent**
Xu et al.

(10) **Patent No.: US D562,415 S**

(45) **Date of Patent: ** Feb. 19, 2008**

(54) **BARBELL WEIGHTLIFTING PLATE**

(75) Inventors: **L. Alice Xu**, 1428 S. Central Park Ave., #C, Anaheim, CA (US) 92802; **Ron Hsieh**, 1428 S. Central Park Ave., #C, Anaheim, CA (US) 92802

(73) Assignees: **L. Alice Xu**, Anaheim, CA (US); **Ron Hsieh**, Anaheim, CA (US)

(**) Term: **14 Years**

(21) Appl. No.: **29/252,581**

(22) Filed: **Jan. 25, 2006**

(51) **LOC (8) Cl. 21-02**

(52) **U.S. Cl. D21/680**

(58) **Field of Classification Search** D21/680,
D21/681, 682, 683, 684, 662; 482/105, 106,
482/107, 108

See application file for complete search history.

(56) **References Cited**

U.S. PATENT DOCUMENTS

D354,322 S *	1/1995	Vodhanel, Jr	D21/681
D406,183 S *	2/1999	Zovich	D21/680
D409,695 S	5/1999	Rojas	D21/680
D421,076 S	2/2000	Lincir	D21/681
D424,140 S	5/2000	Lincir	D21/680
D433,721 S *	11/2000	Rojas et al.	D21/681
D434,090 S	11/2000	Wallace	D21/680

D445,154 S *	7/2001	Lincir	D21/680
D446,265 S *	8/2001	Lincir	D21/680
D446,559 S *	8/2001	Lincir	D21/681
D451,158 S *	11/2001	Lincir	D21/680
6,436,015 B1 *	8/2002	Frasco et al.	482/106
D463,001 S *	9/2002	Buchanan	D21/680
D474,517 S *	5/2003	Harms	D21/681
D476,383 S *	6/2003	Chen	D21/681
D483,083 S *	12/2003	Allshouse et al.	D21/680
6,702,723 B2 *	3/2004	Landfair	482/93
D502,514 S *	3/2005	Buchanan et al.	D21/680
6,991,590 B2 *	1/2006	Vigiano	482/106
7,198,590 B1 *	4/2007	Nicholas	482/71

* cited by examiner

Primary Examiner—Philip Hyder

(57) **CLAIM**

The ornamental design for the barbell weightlifting plate, as shown.

DESCRIPTION

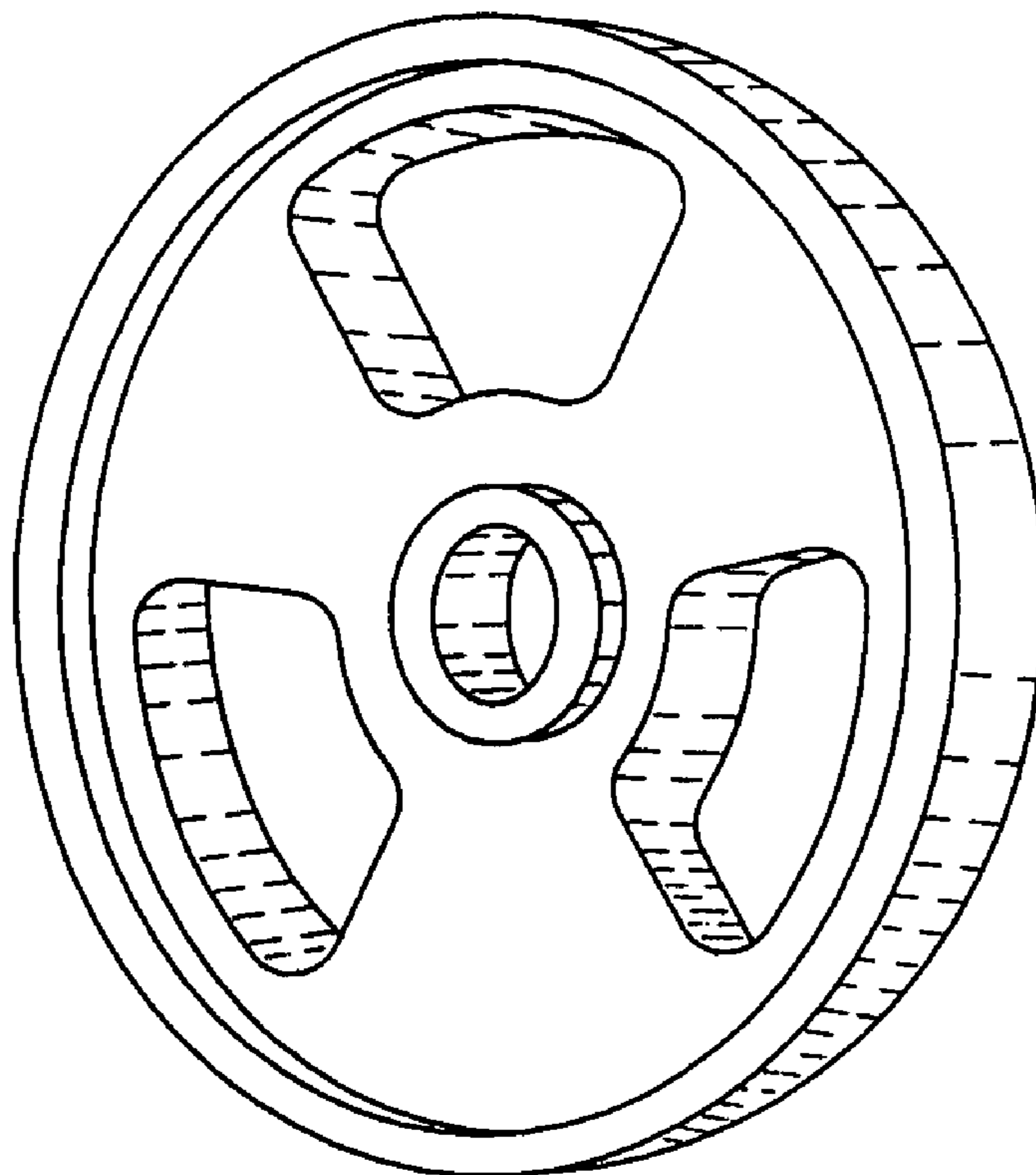
FIG. 1 is a front elevation view of a barbell weightlifting plate, showing my new design;

FIG. 2 is a perspective view thereof;

FIG. 3 is a front elevation view of a modified embodiment of the barbell weightlifting plate; and,

FIG. 4 is a perspective view thereof.

1 Claim, 2 Drawing Sheets



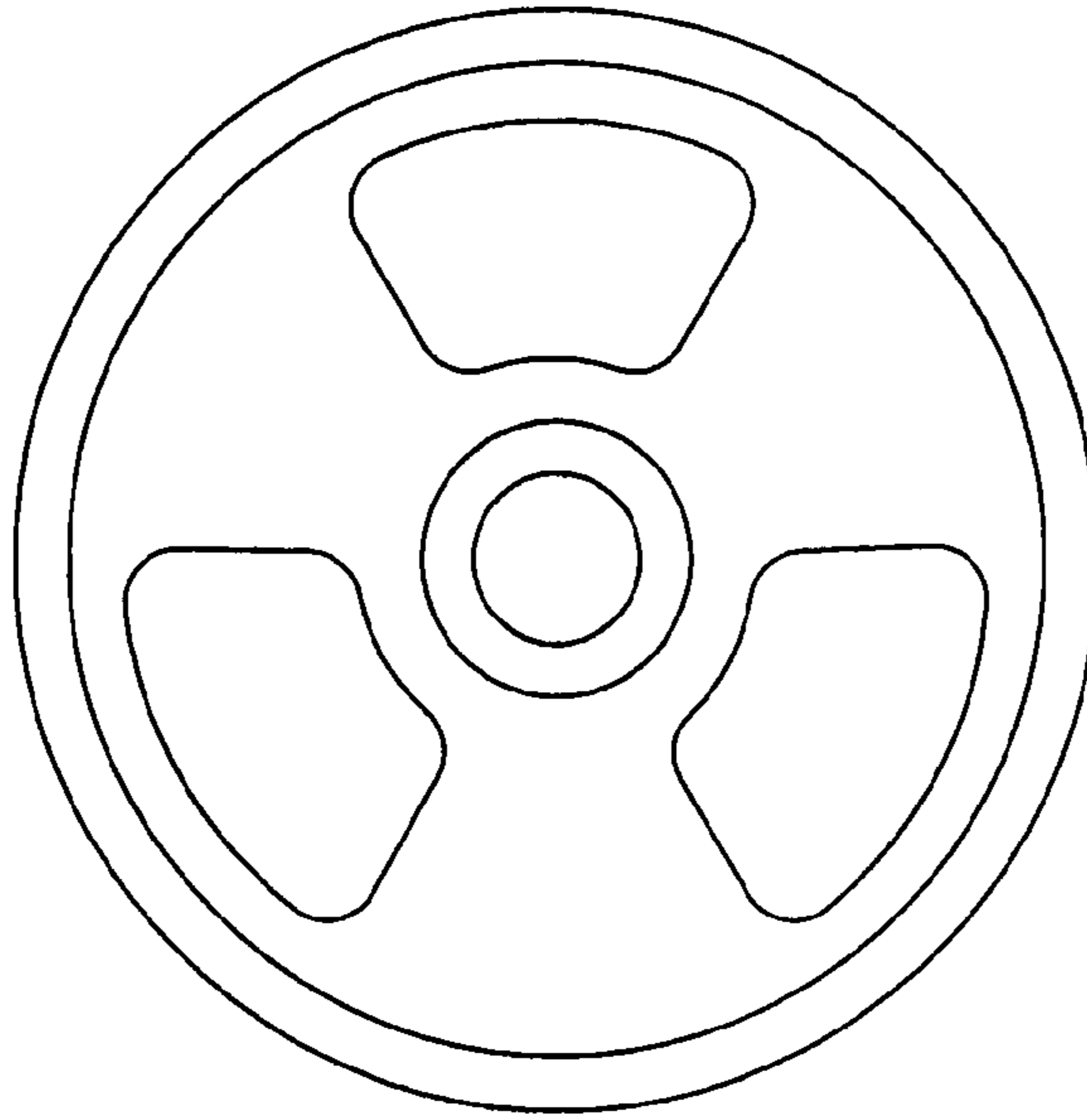


Fig 1

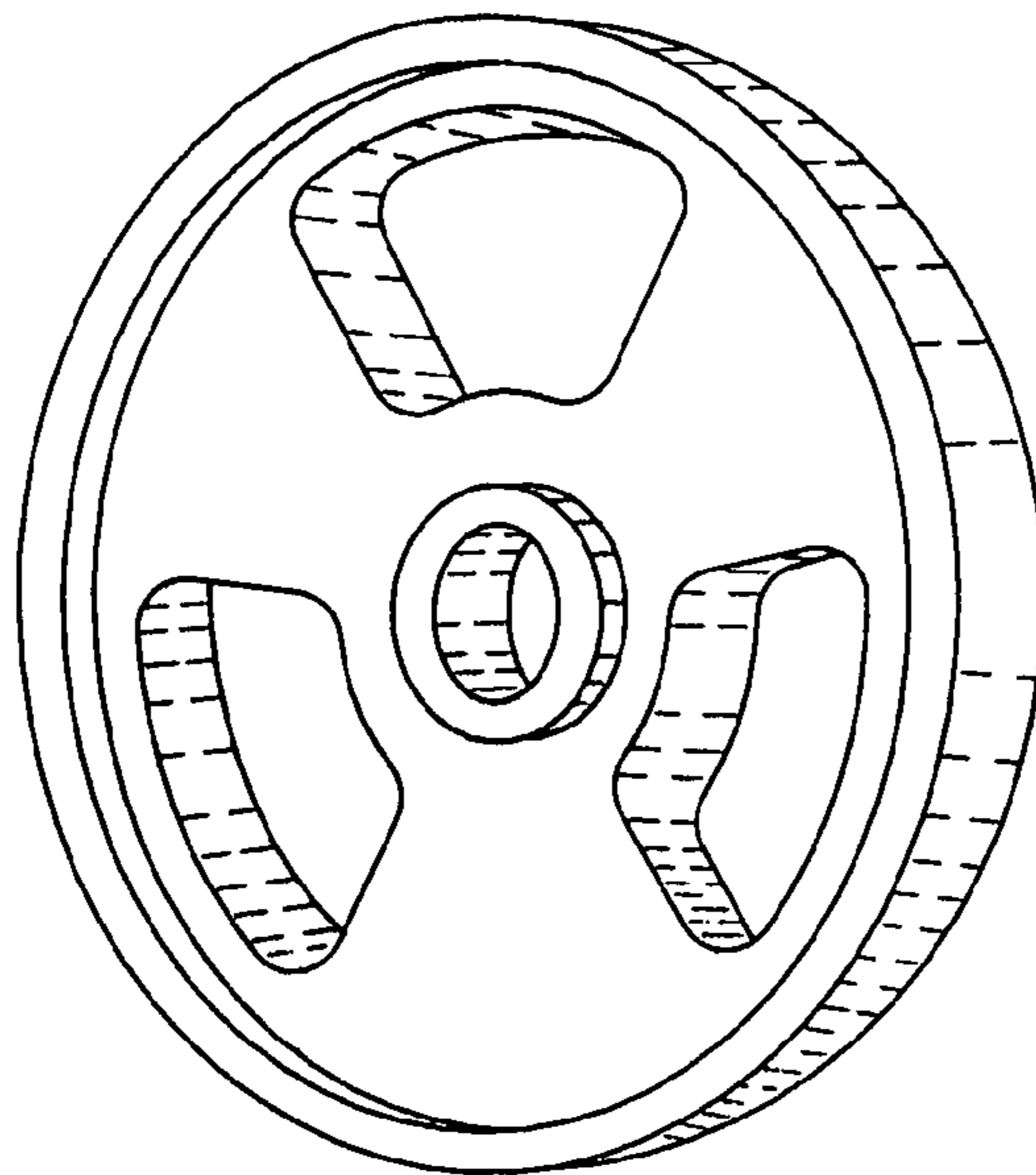


Fig 2

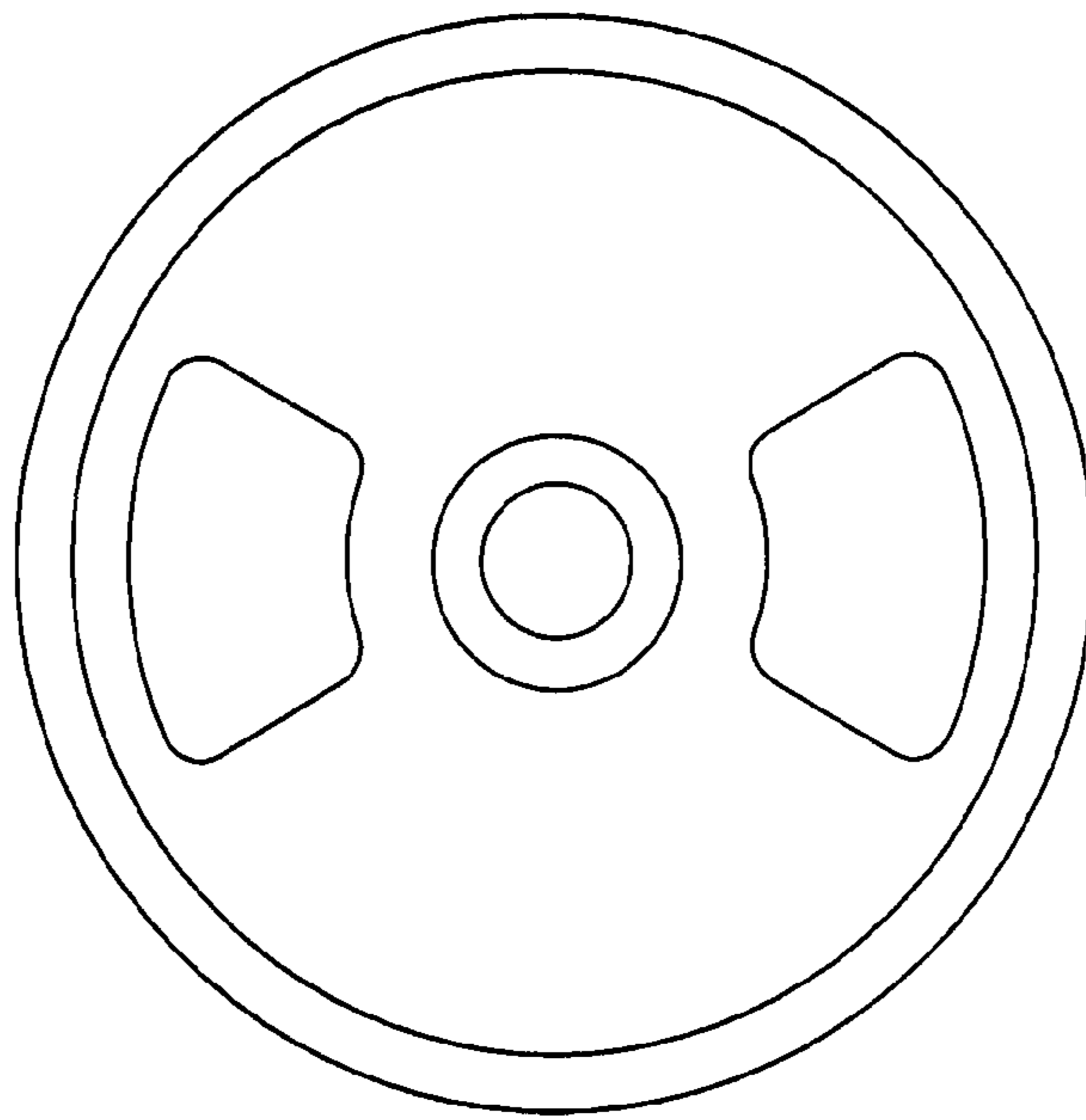


Fig 3

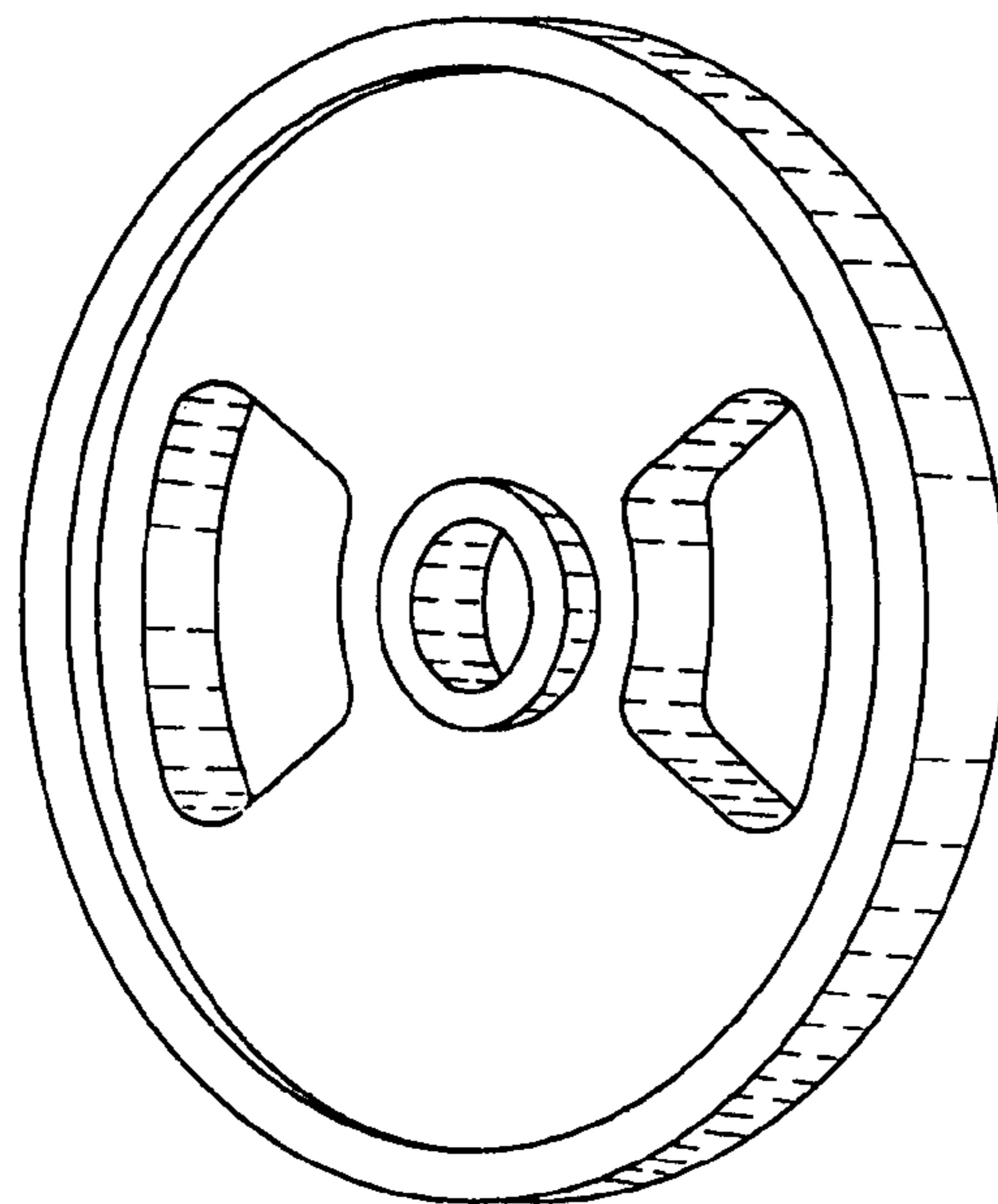


Fig 4