

US00D562409S

(12) **United States Design Patent**  
**Shoui et al.**

(10) **Patent No.:** **US D562,409 S**

(45) **Date of Patent:** **\*\* Feb. 19, 2008**

(54) **SIMULATED PILOTING GAME DEVICE**

(75) Inventors: **Naoaki Shoui**, Tokyo (JP); **Mari Fujisawa**, Tokyo (JP)

(73) Assignee: **Sega Corporation** (JP)

(\*\*) Term: **14 Years**

(21) Appl. No.: **29/272,165**

(22) Filed: **Feb. 2, 2007**

(30) **Foreign Application Priority Data**

Aug. 4, 2006 (JP) ..... 2006-020721

(51) **LOC (8) Cl.** ..... **21-01**

(52) **U.S. Cl.** ..... **D21/325; D21/369**

(58) **Field of Classification Search** ..... D14/301-310;  
D21/324-329, 369; D6/397; 273/148 B;  
463/1, 16-21, 46, 47, 40; 361/679-687;  
700/231-237

See application file for complete search history.

(56) **References Cited**

**U.S. PATENT DOCUMENTS**

D188,376 S \* 7/1960 Hotkins ..... D21/326  
D376,391 S \* 12/1996 Okumura ..... D21/326

6,410,835 B2 \* 6/2002 Suzuki et al. .... 84/464 R  
6,471,586 B1 \* 10/2002 Aiki et al. .... 463/6  
6,612,929 B2 \* 9/2003 Fujimoto et al. .... 463/32  
6,739,974 B2 \* 5/2004 Kanno et al. .... 463/36  
D541,875 S \* 5/2007 Wada ..... D21/326  
D545,912 S \* 7/2007 Nunokawa ..... D21/326

\* cited by examiner

*Primary Examiner*—Prabhakar Deshmukh

(74) *Attorney, Agent, or Firm*—Dickstein Shapiro LLP

(57) **CLAIM**

The ornamental design for simulated piloting game device, as shown and described.

**DESCRIPTION**

FIG. 1 is a front, top and left side perspective view of a simulated piloting game device showing our new design; FIG. 2 is a front elevational view thereof; FIG. 3 is a rear elevational view thereof; FIG. 4 is a top plan view thereof; FIG. 5 is a bottom plan view thereof; FIG. 6 is a right side elevational view thereof; and, FIG. 7 is a left side elevational view thereof.

**1 Claim, 7 Drawing Sheets**

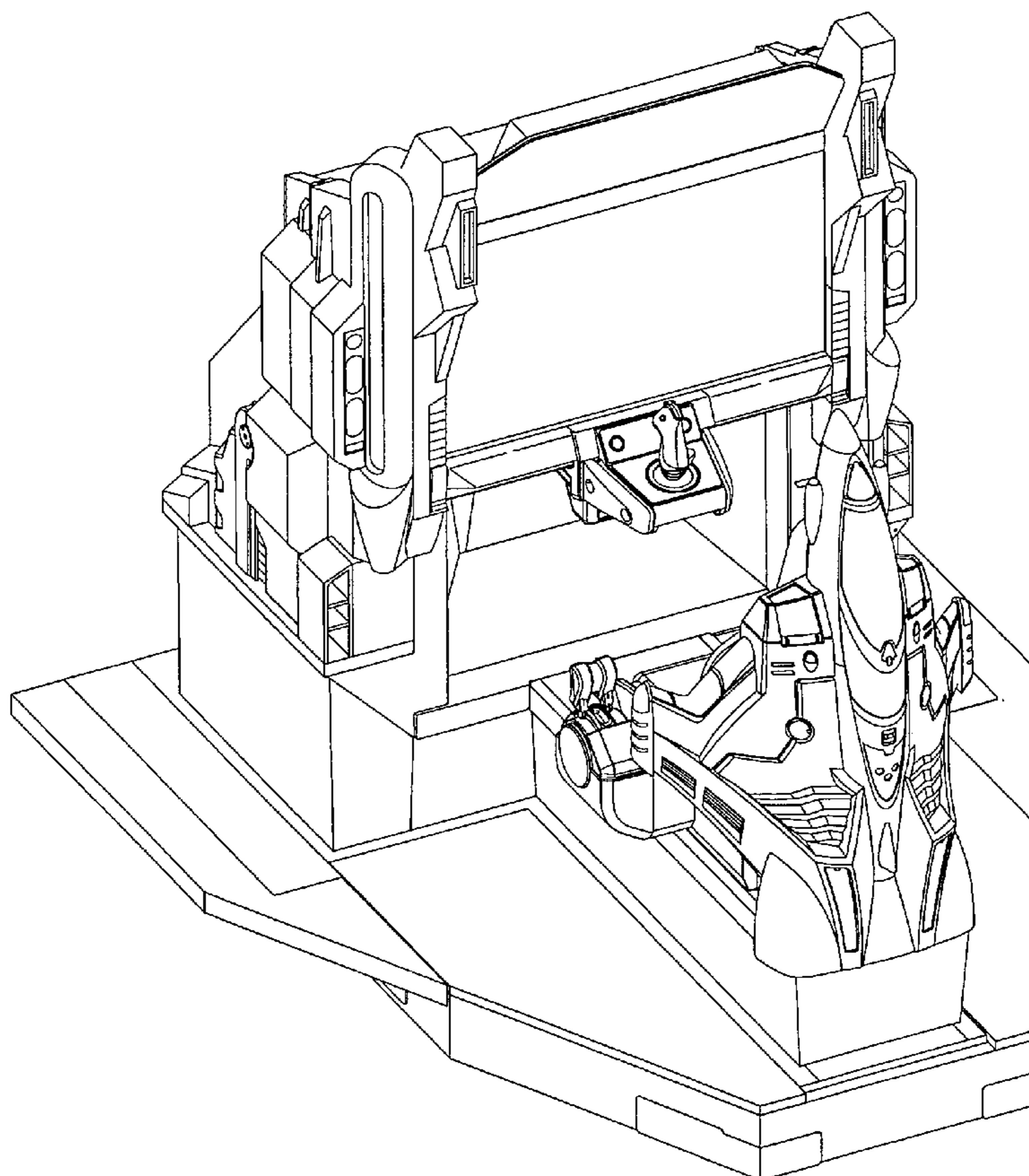


FIG. 1

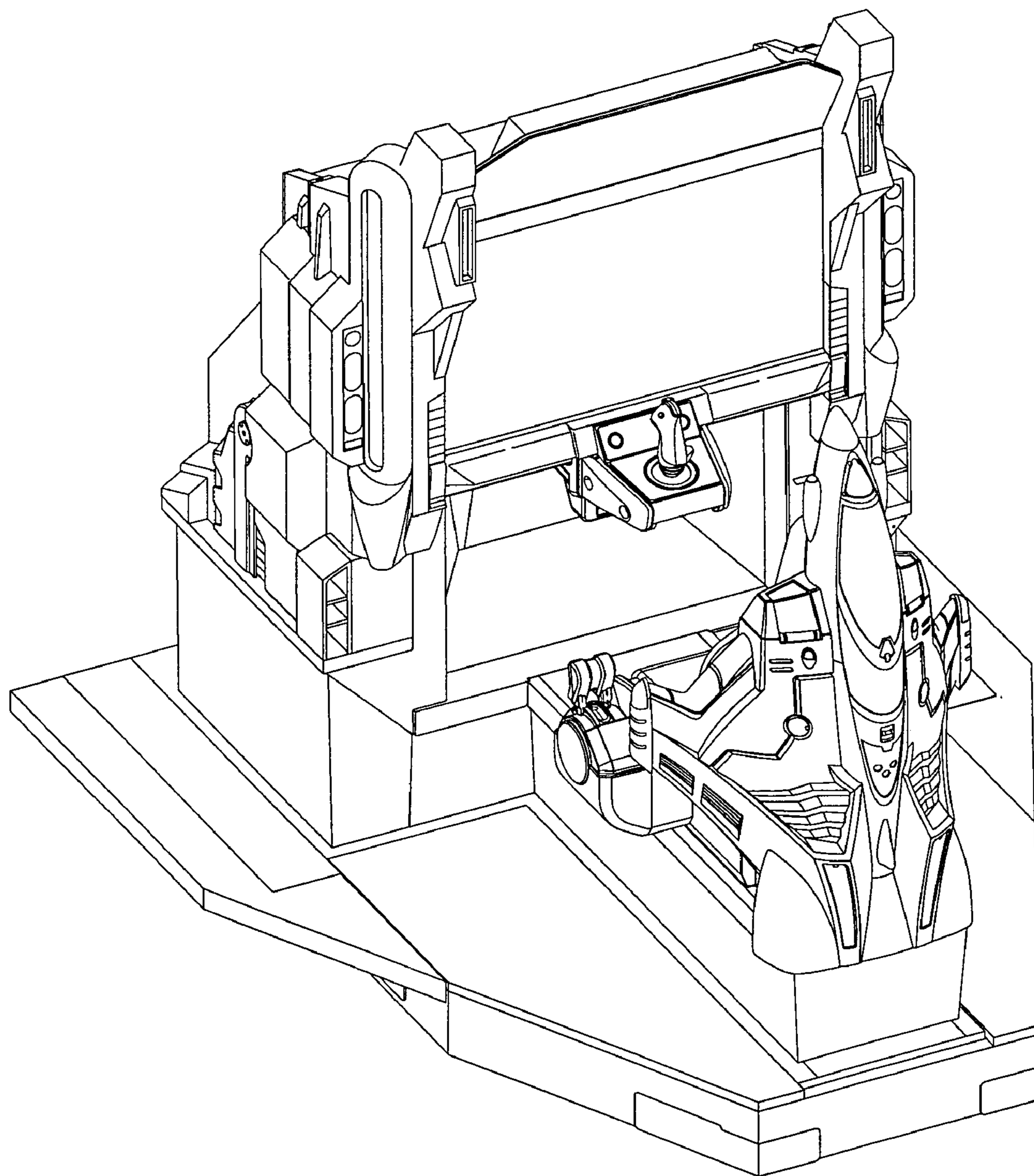


FIG.2

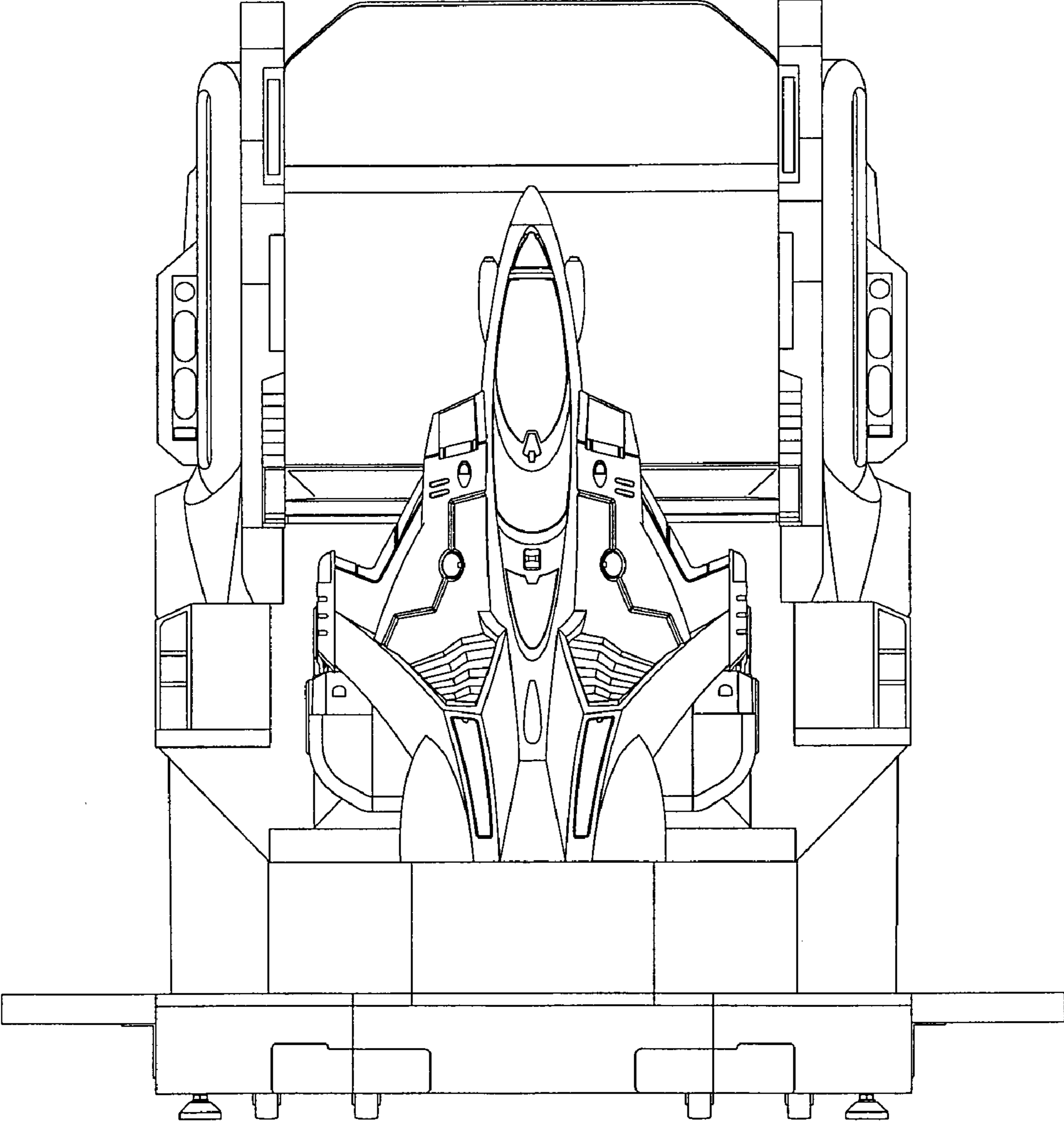


FIG.3

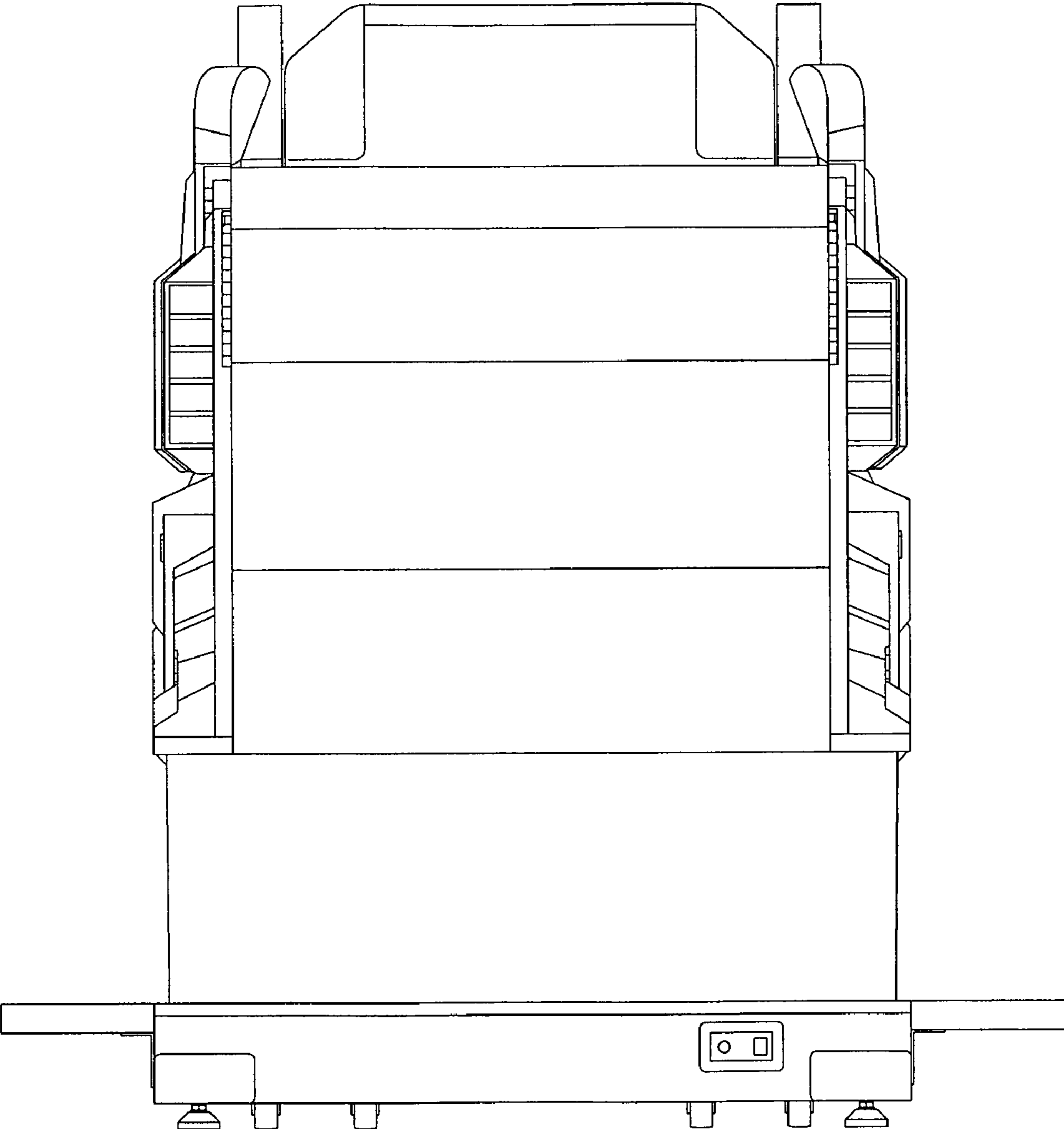


FIG. 4

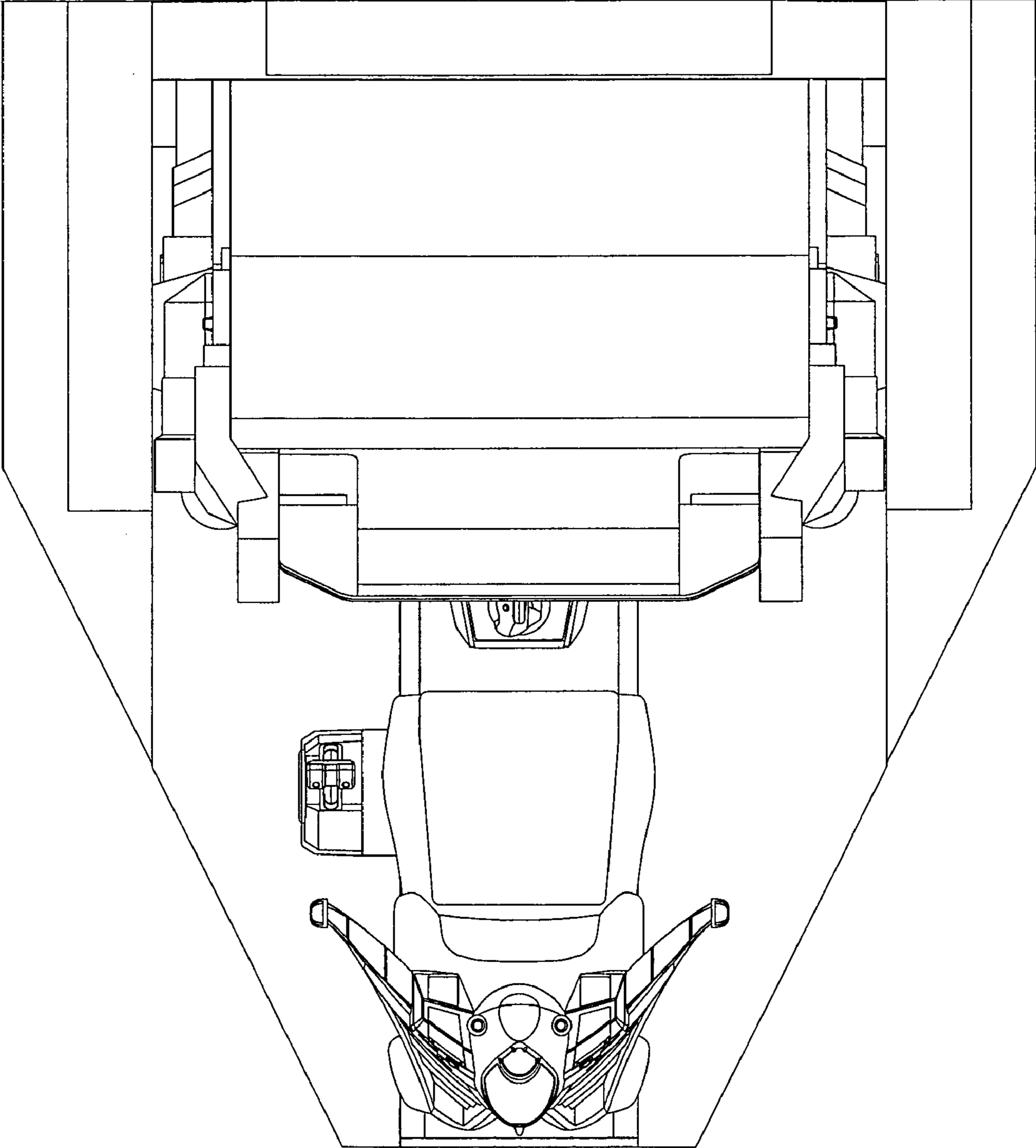


FIG. 5

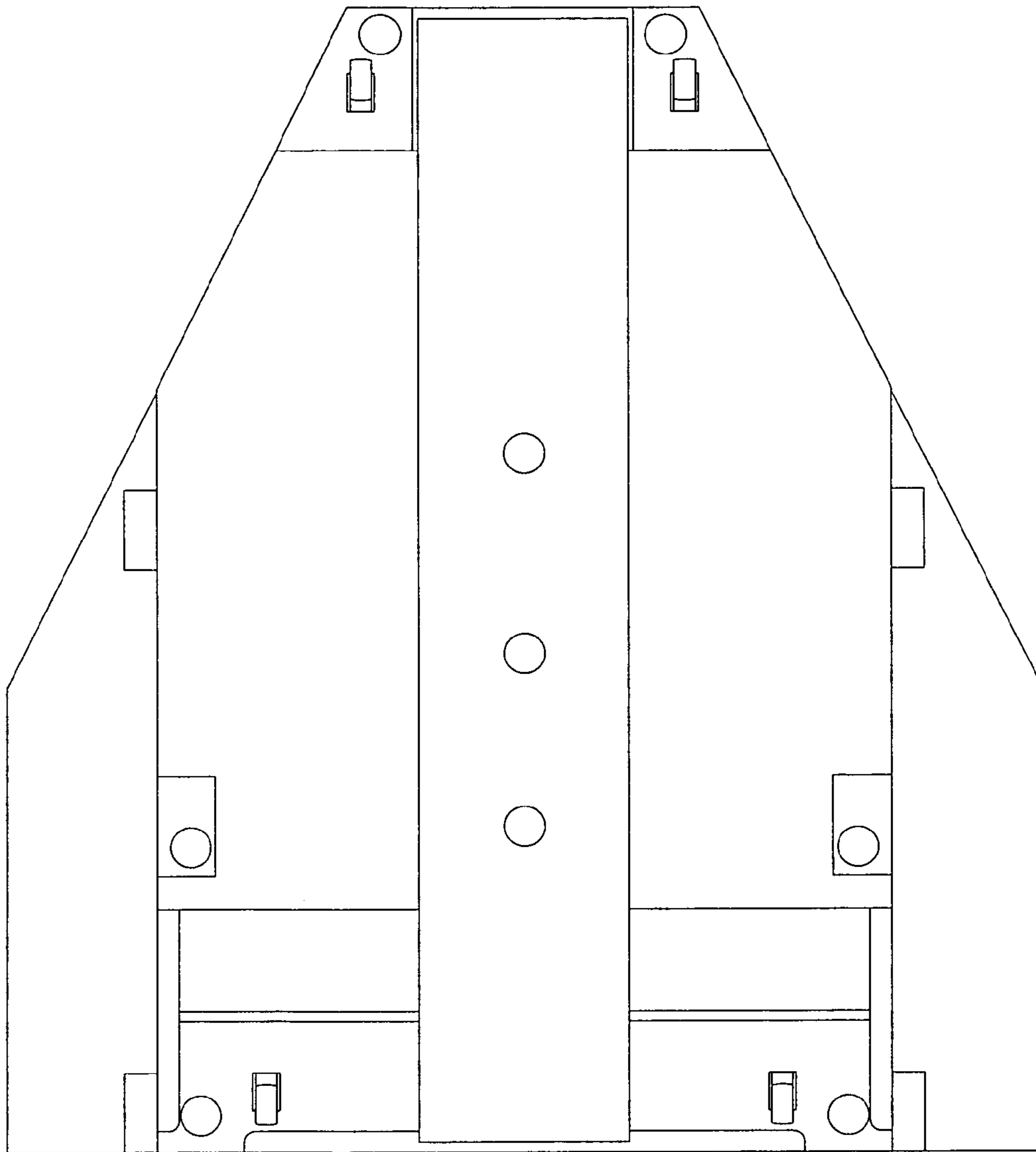


FIG. 6

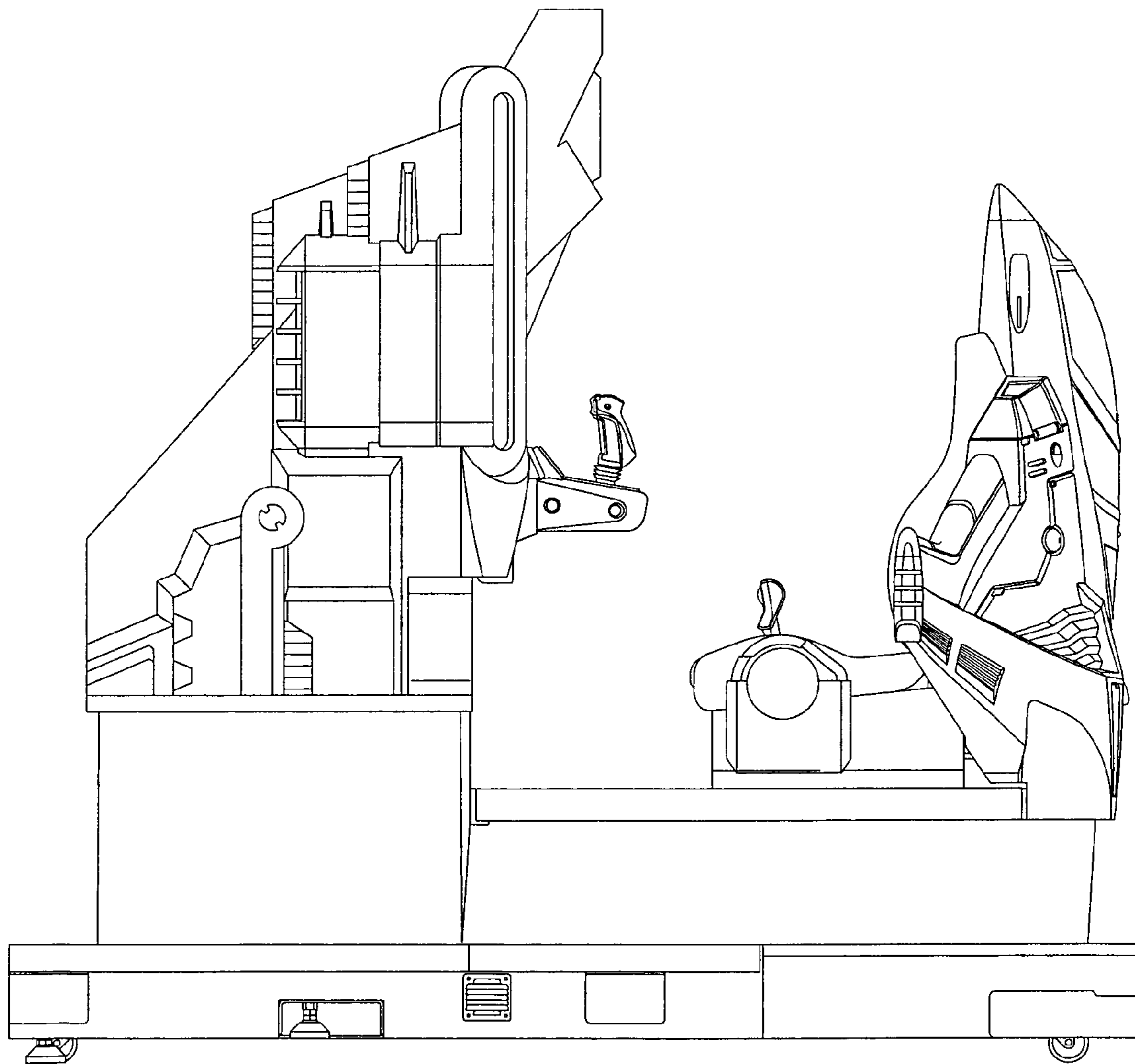


FIG. 7

