

US00D562408S

(12) **United States Design Patent**
Loerakker

(10) **Patent No.:** **US D562,408 S**
(45) **Date of Patent:** **** Feb. 19, 2008**

(54) **DISPLAY BOARD FRAME**

DESCRIPTION

(75) Inventor: **Martinus Franciscus Loerakker**,
Mundelein, IL (US)
(73) Assignee: **ACCO Brands USA LLC**,
Lincolnshire, IL (US)
(**) Term: **14 Years**
(21) Appl. No.: **29/249,734**
(22) Filed: **Oct. 19, 2006**
(51) **LOC (8) Cl.** **20-03**
(52) **U.S. Cl.** **D20/43; D6/300; D6/492**
(58) **Field of Classification Search** D20/10,
D20/14, 22, 39, 40, 42, 43, 99; 40/584, 606.01,
40/607.11, 611.06, 617, 642.02, 642.07, 644,
40/658, 661, 700, 709, 722, 733, 743, 745,
40/790; D6/300, 310, 314, 492; 283/56,
283/81; D19/52, 90; D12/193; 248/158
See application file for complete search history.

FIG. 1 is a front view of a first embodiment of a display board frame according to the invention;
FIG. 2 is a perspective view of the display board frame of FIG. 1;
FIG. 3 is a front view of a second embodiment of a display board frame according to the invention;
FIG. 4 is a perspective view of the display board frame of FIG. 3;
FIG. 5 is a front view of a third embodiment of a display board frame according to the invention;
FIG. 6 is a perspective view of the display board frame of FIG. 5;
FIG. 7 is a front view of a fourth embodiment of a display board frame according to the invention;
FIG. 8 is a perspective view of the display board frame of FIG. 7;
FIG. 9 is a front view of the display board frame of FIG. 1;
FIG. 10 is a perspective view of the display board frame of FIG. 9;
FIG. 11 is a front view of the display board frame of FIG. 3;
FIG. 12 is a perspective view of the display board frame of FIG. 11;
FIG. 13 is a front view of the display board frame of FIG. 5;
FIG. 14 is a perspective view of the display board frame of FIG. 13;
FIG. 15 is a front view of the display board frame of FIG. 7; and,
FIG. 16 is a perspective view of the display board frame of FIG. 15.
The broken lines shown in the figures are for illustrative purposes only and form no part of the claimed design. The dot-dash-dot lines shown in FIGS. 1-4 represent break lines, such that the relative spacing between claimed frame portions forms no part of the claimed design.

(56) **References Cited**

U.S. PATENT DOCUMENTS

1,384,106 A * 7/1921 Taussig 248/158

(Continued)

OTHER PUBLICATIONS

General Binding Corporation, Quartet Visual Communication and Organization Solutions product catalogue, Jul. 2005, pp. 7, 11-15, 18-19.

(Continued)

Primary Examiner—Robert M. Spear

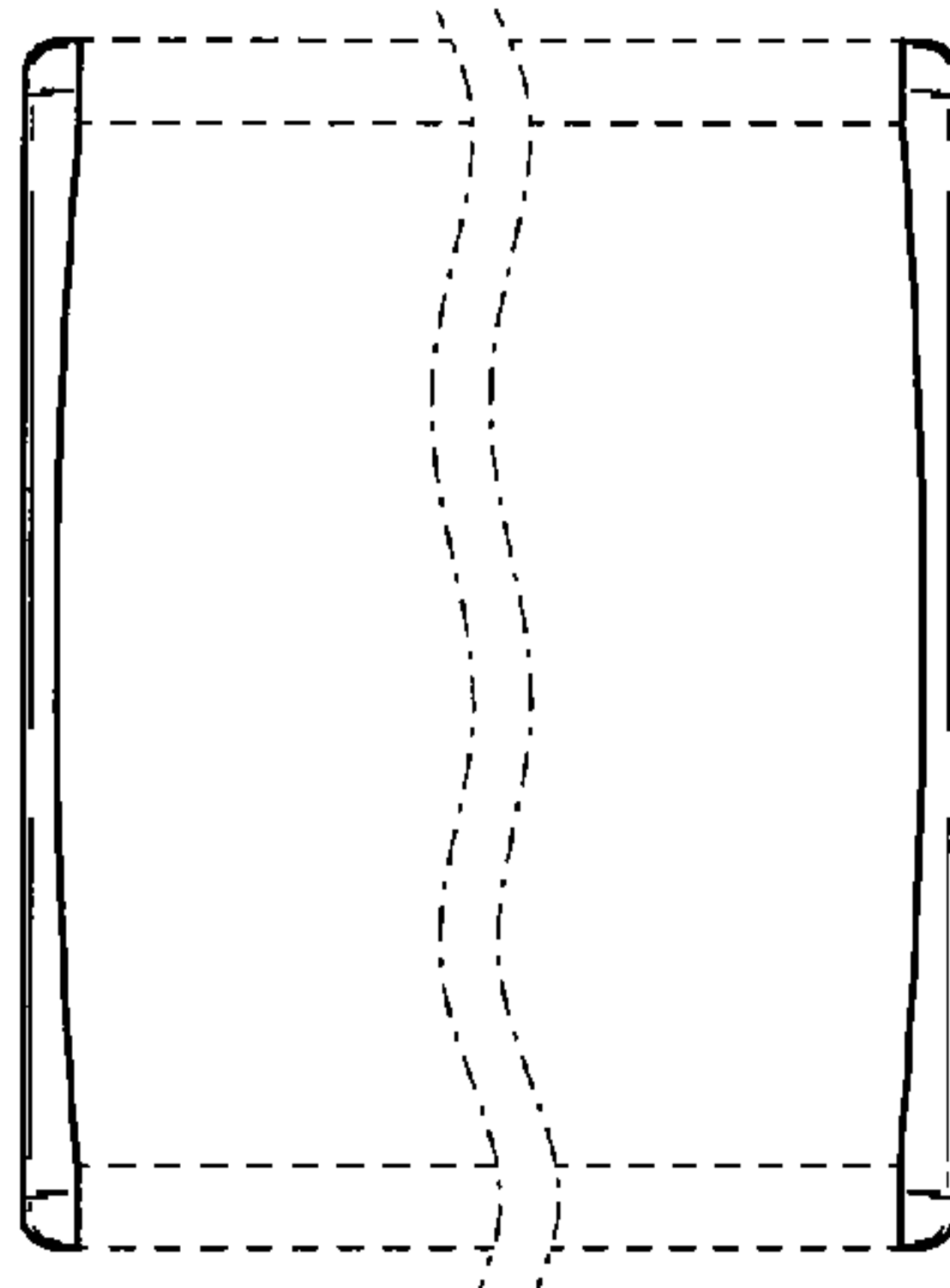
Assistant Examiner—Mary Ann Calabrese

(74) *Attorney, Agent, or Firm*—Michael Best & Friedrich LLP

(57) **CLAIM**

I claim the ornamental design for a display board frame, as shown and described in FIGS. 1-4.

1 Claim, 10 Drawing Sheets



US D562,408 S

Page 2

U.S. PATENT DOCUMENTS

1,963,124 A * 6/1934 Free 40/790
D138,526 S * 8/1944 Spaldo D6/300
D250,504 S * 12/1978 Kliot D6/300
D372,591 S * 8/1996 Brunner et al. D6/300
D390,610 S * 2/1998 Wingerei D20/39
D430,478 S * 9/2000 De brey et al. D8/353
D463,493 S * 9/2002 Beno D19/52
D471,366 S * 3/2003 Park D6/310
D475,407 S * 6/2003 Beno D19/52
D480,428 S * 10/2003 Robertson, Jr. D19/90
D499,889 S * 12/2004 Hahn D6/300
D510,109 S * 9/2005 Cobb et al. D20/42
D518,109 S * 3/2006 Opolka D20/42
D523,249 S * 6/2006 Hoernig D6/300
D528,309 S * 9/2006 Schwind D6/300

D541,054 S * 4/2007 Schwind D6/300
2002/0133990 A1* 9/2002 Hahn 40/658
2004/0098895 A1* 5/2004 Sparkowski 40/617

OTHER PUBLICATIONS

Quartet Motion Marker Board System, 4 pages.
Acco® Brands, Inc., Fact Book 2003, Feb. 2003, pp. 172-173, 175-176, 178, 180-182, 189, 190-191.
Acco® Brands, Back To School 2007 product catalogue, 2006, pp. 47-54, 56.
Acco® Brands, 2005 Fact Book, Feb. 2005, pp. 176-179, 181-184, 187-188, 190-191, 193, 196-197.
The Board Dudes, Inc., product catalogue, pp. 4-5 and 28-29.
Rose Art, Inc., product catalogue, pp. 41-50.

* cited by examiner

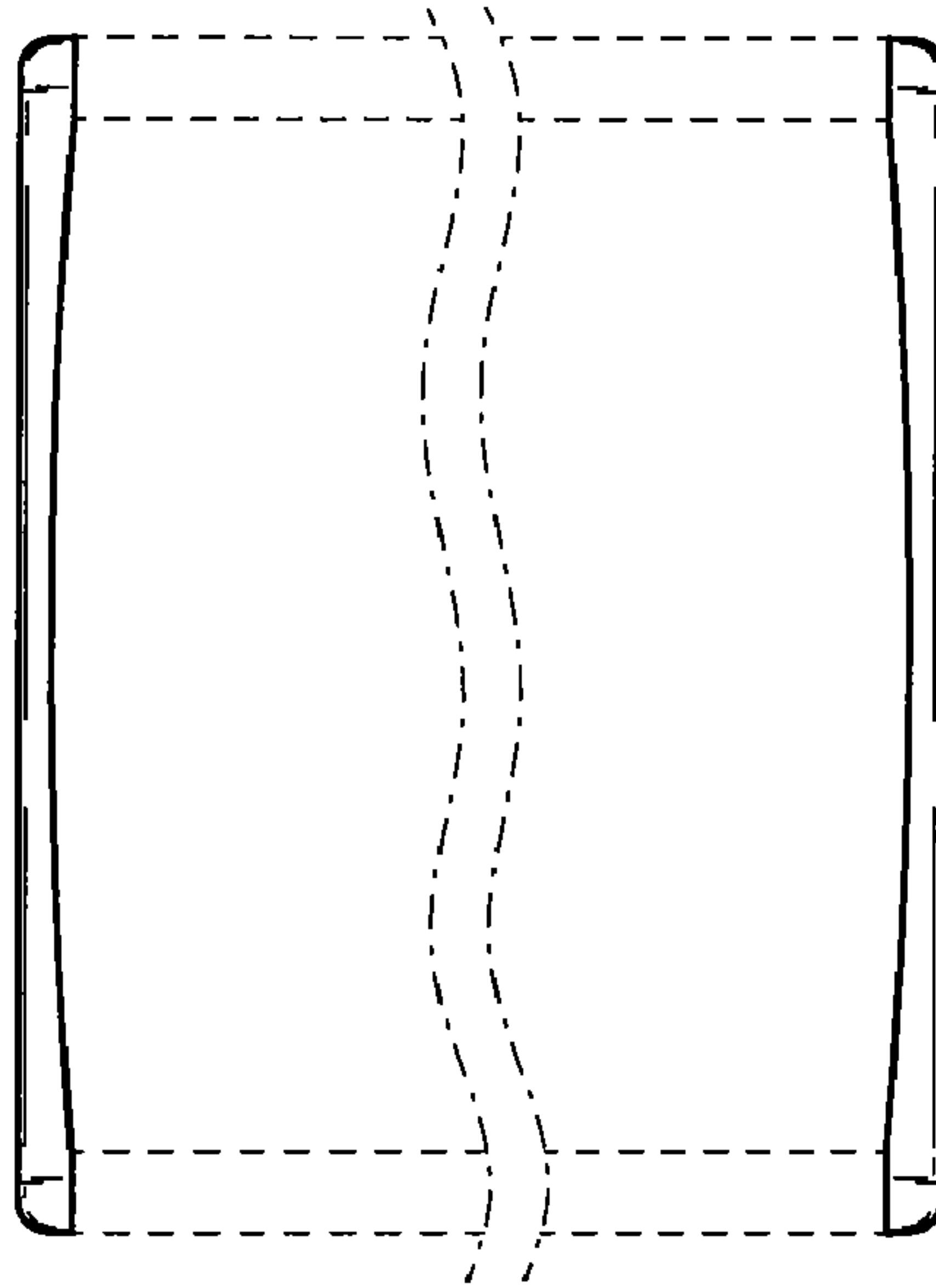


FIG. 1

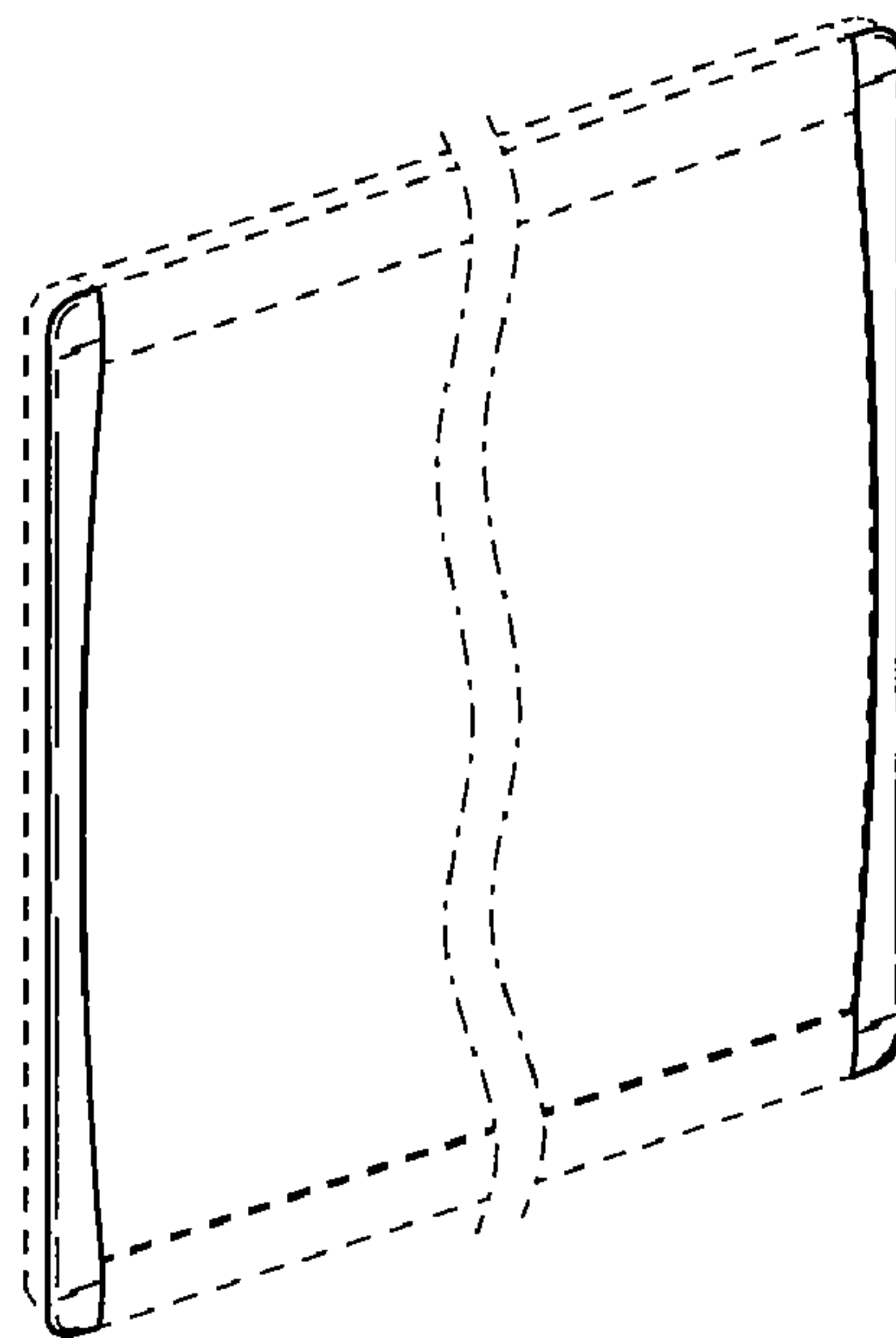


FIG. 2

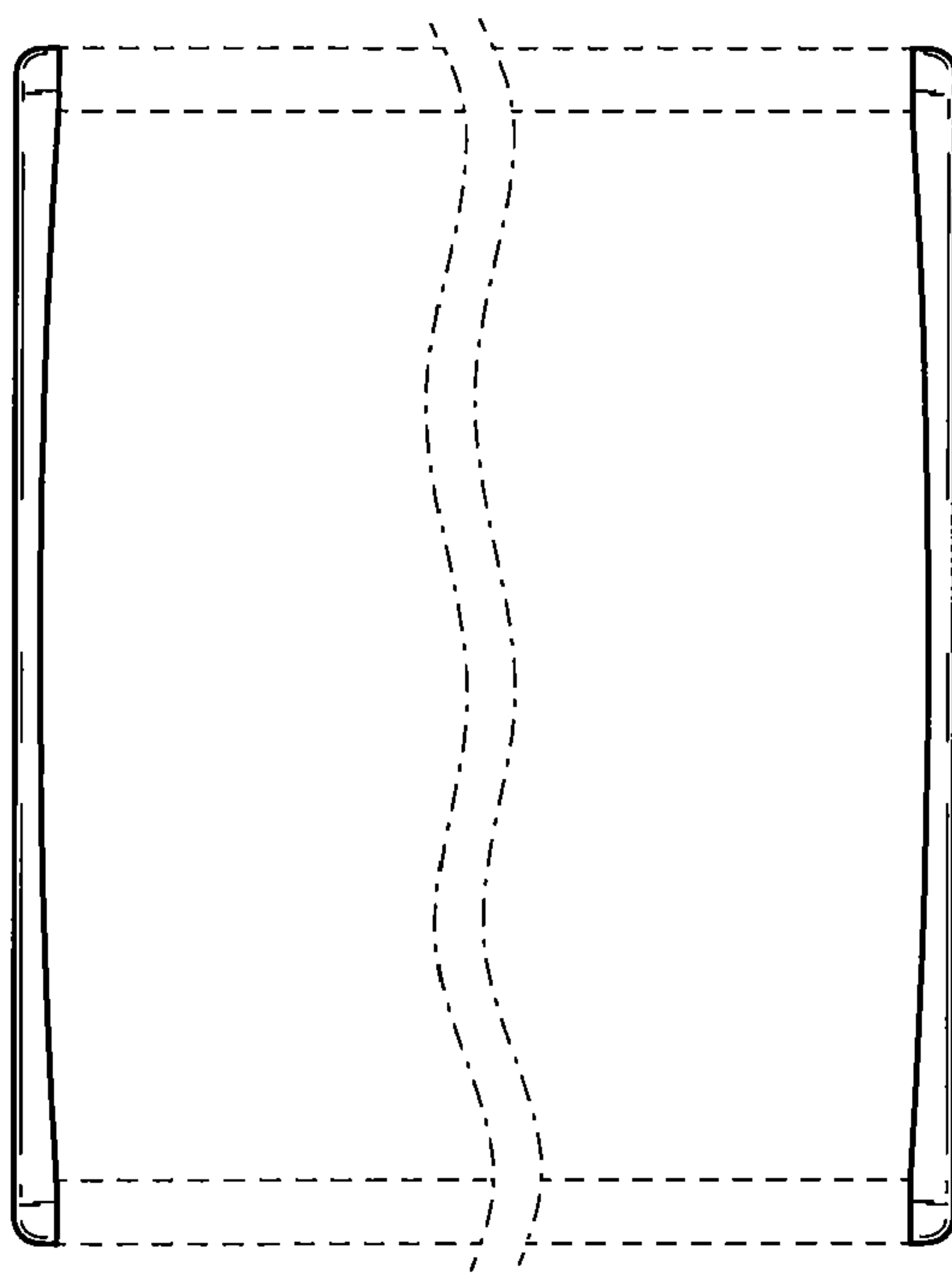


FIG. 3

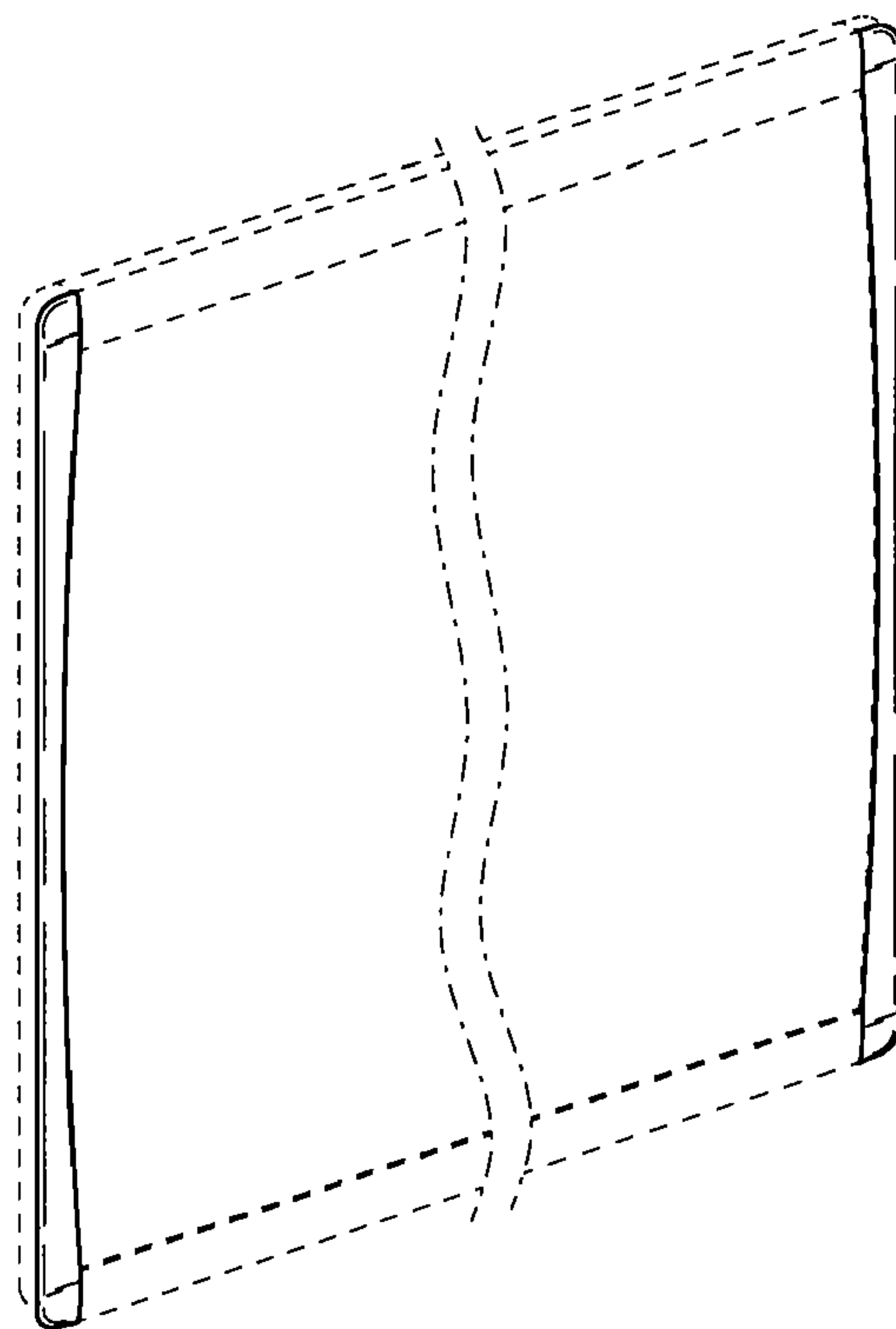


FIG. 4

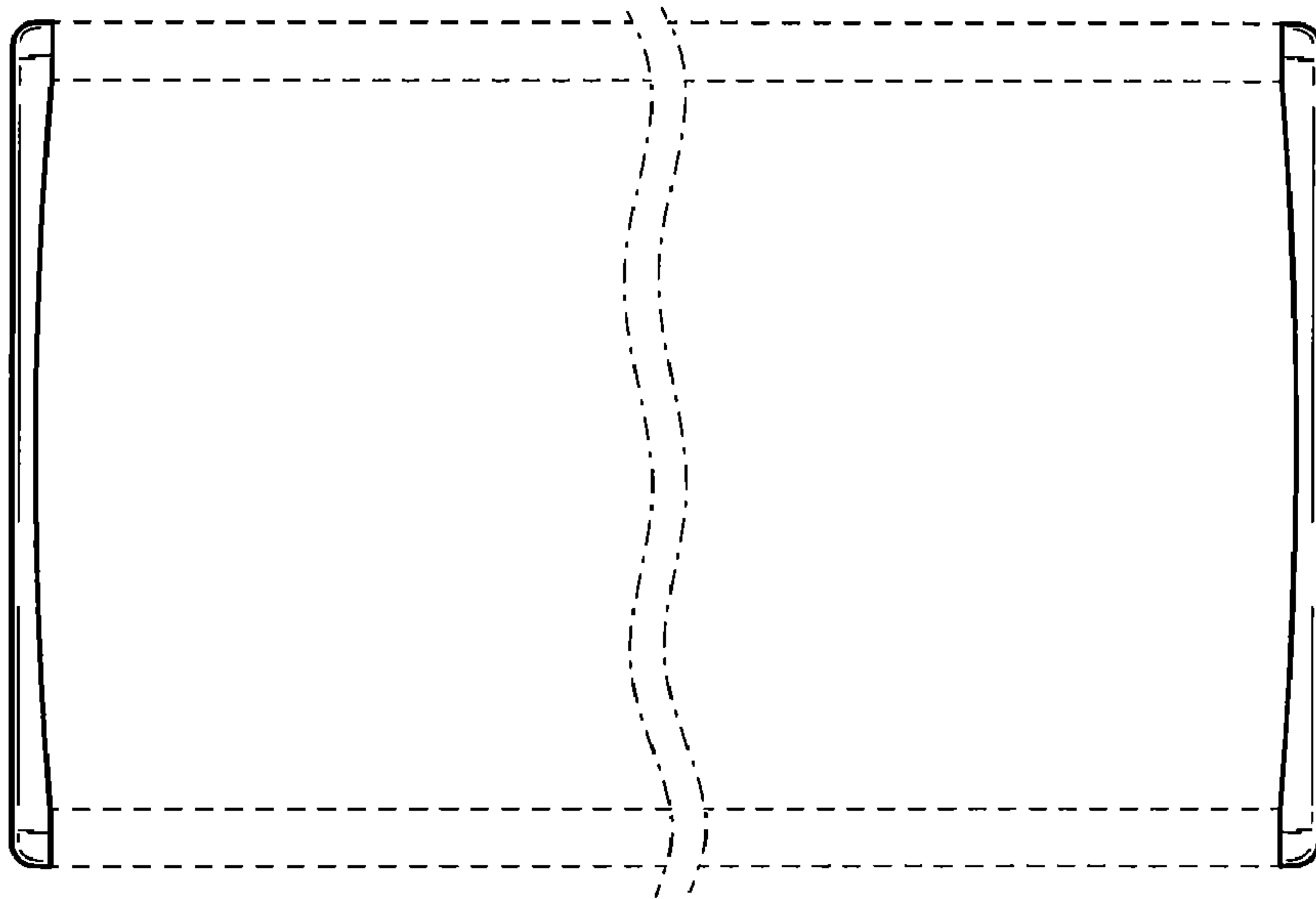


FIG. 5

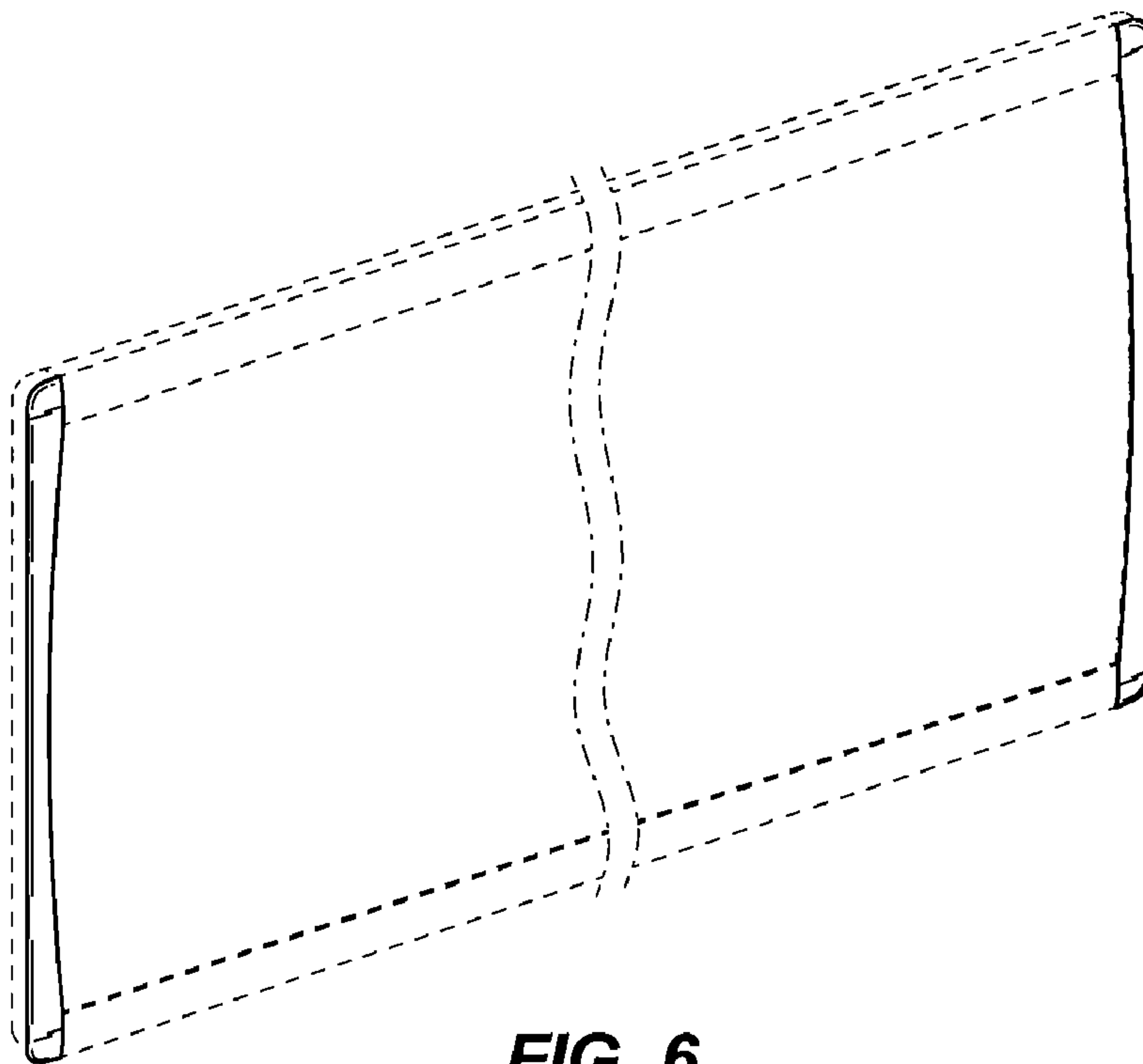


FIG. 6

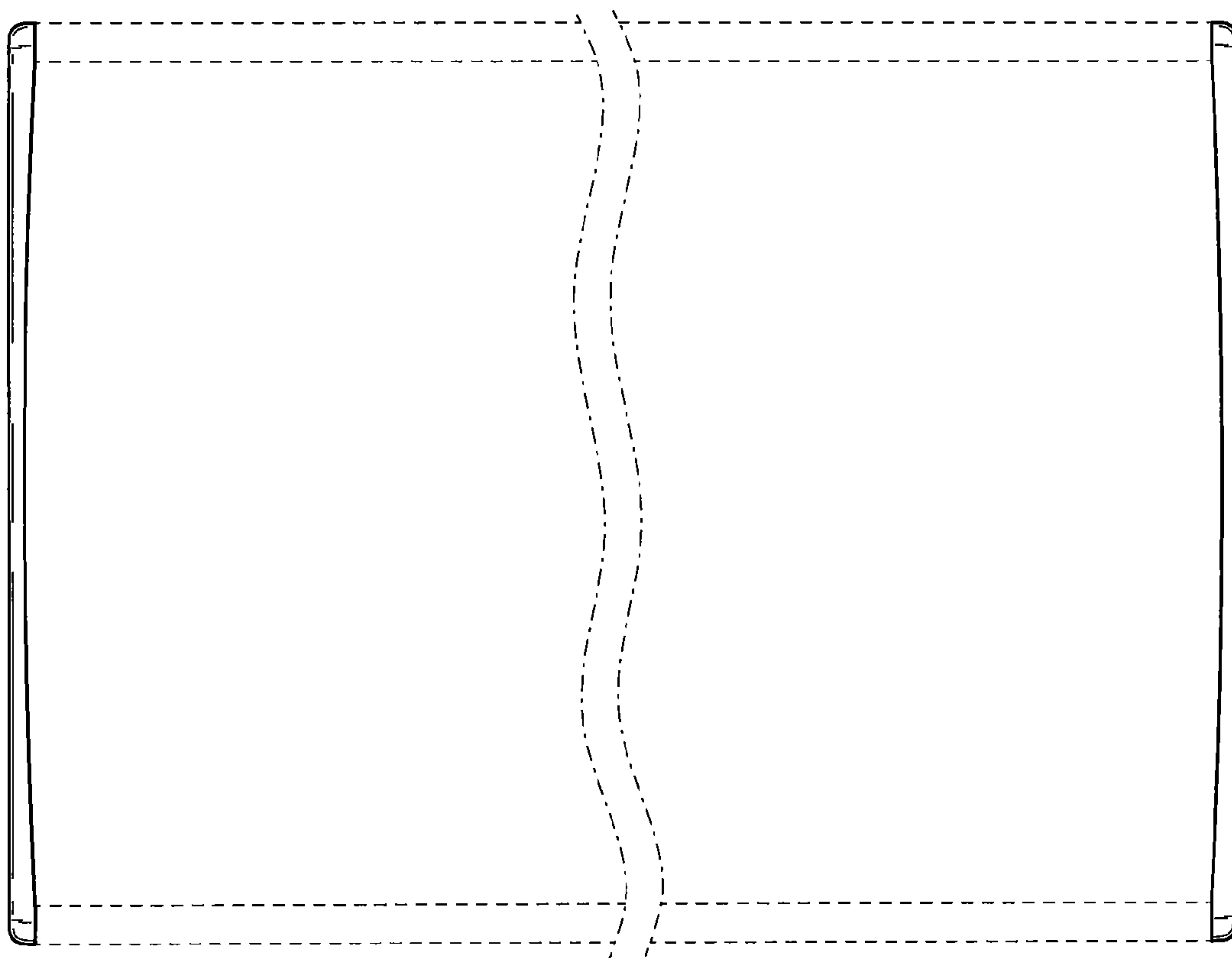


FIG. 7

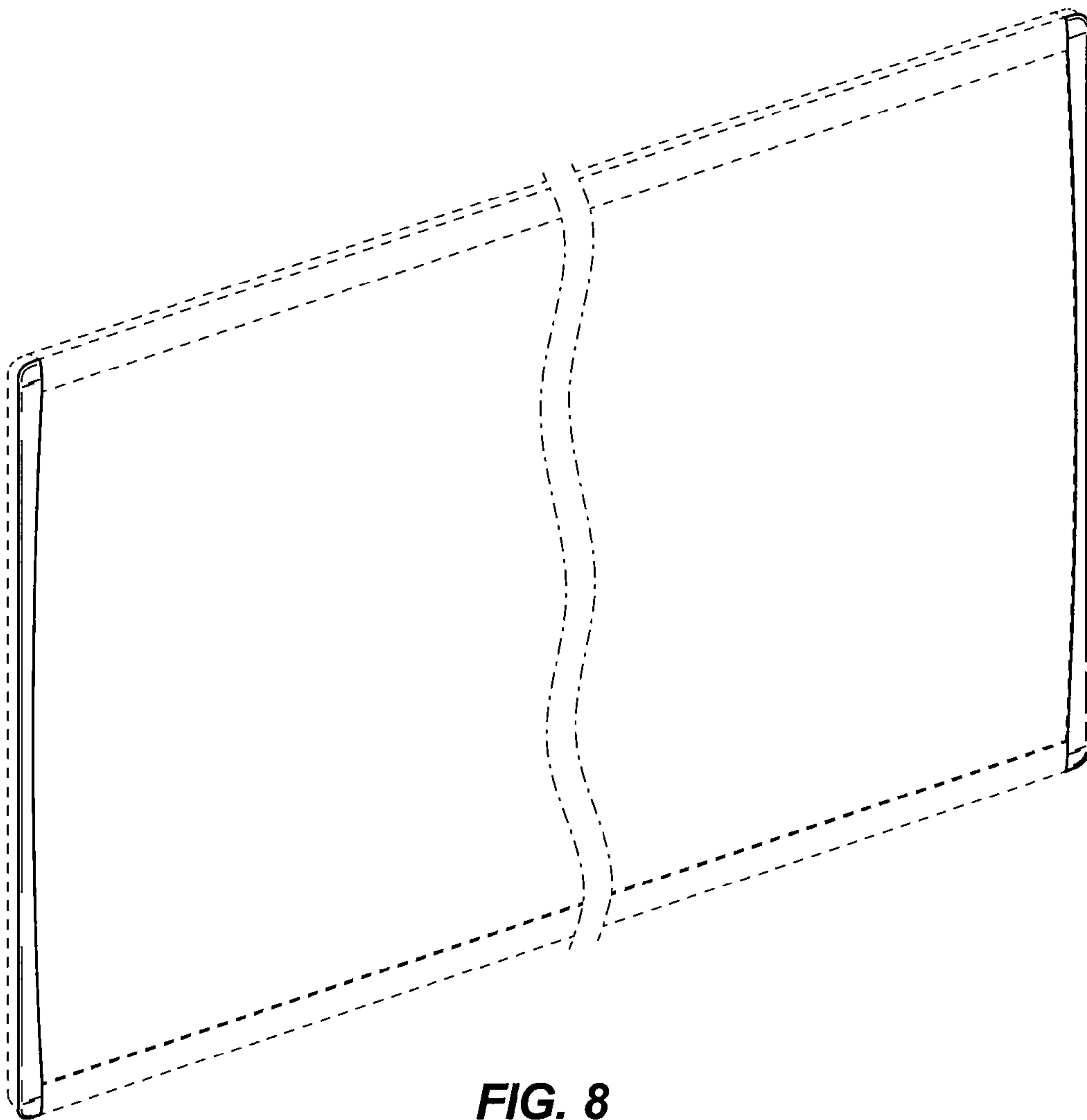


FIG. 8

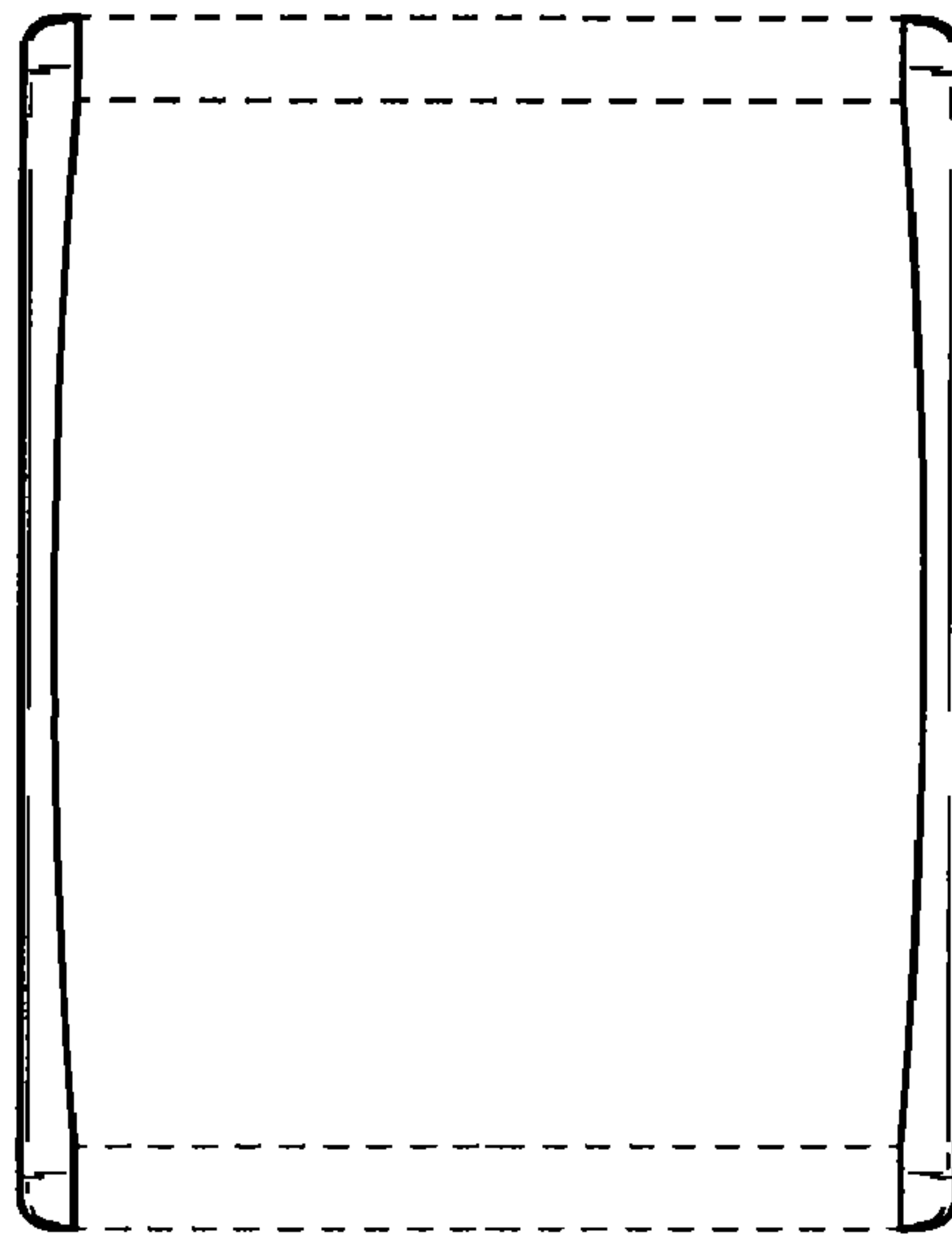


FIG. 9

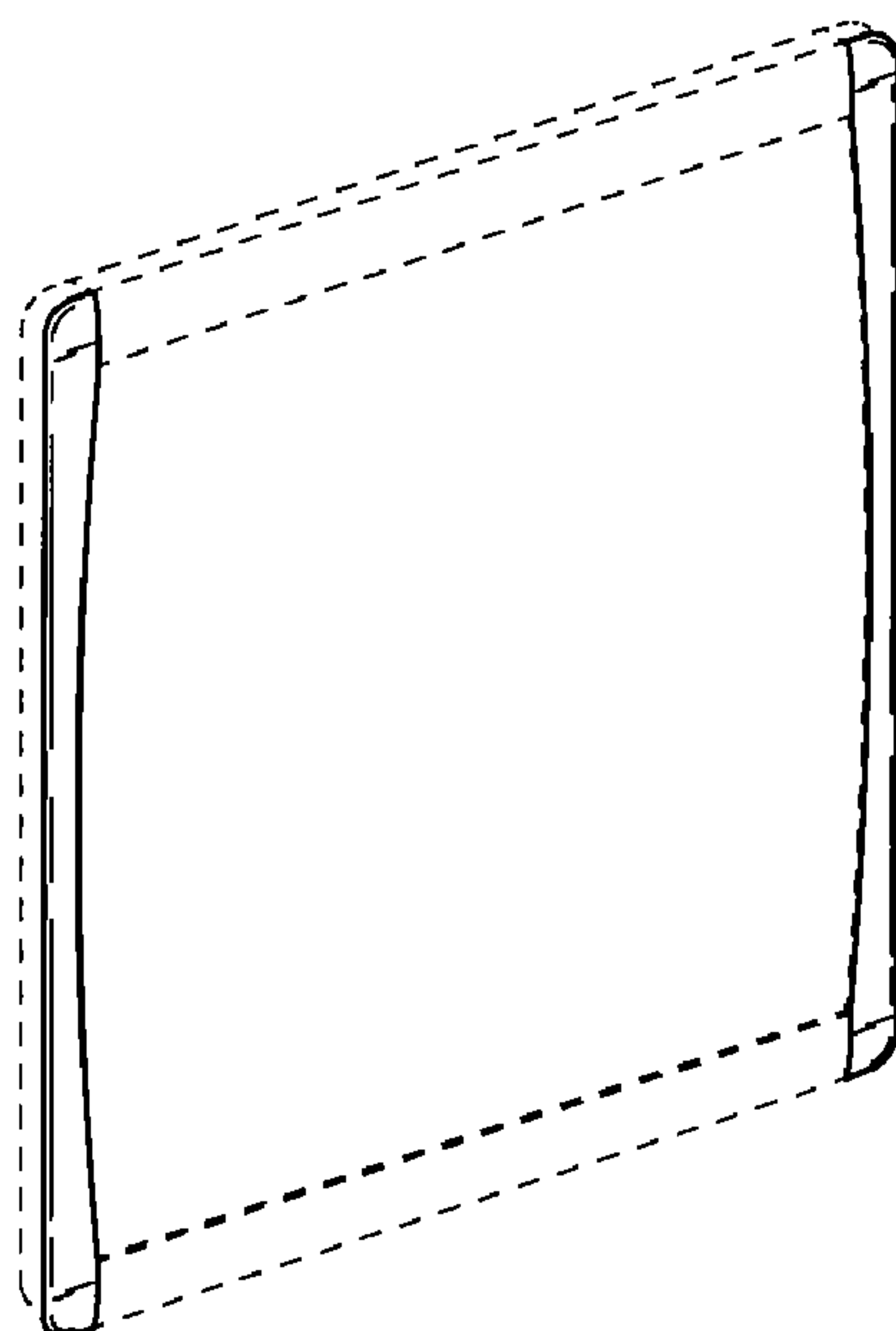


FIG. 10

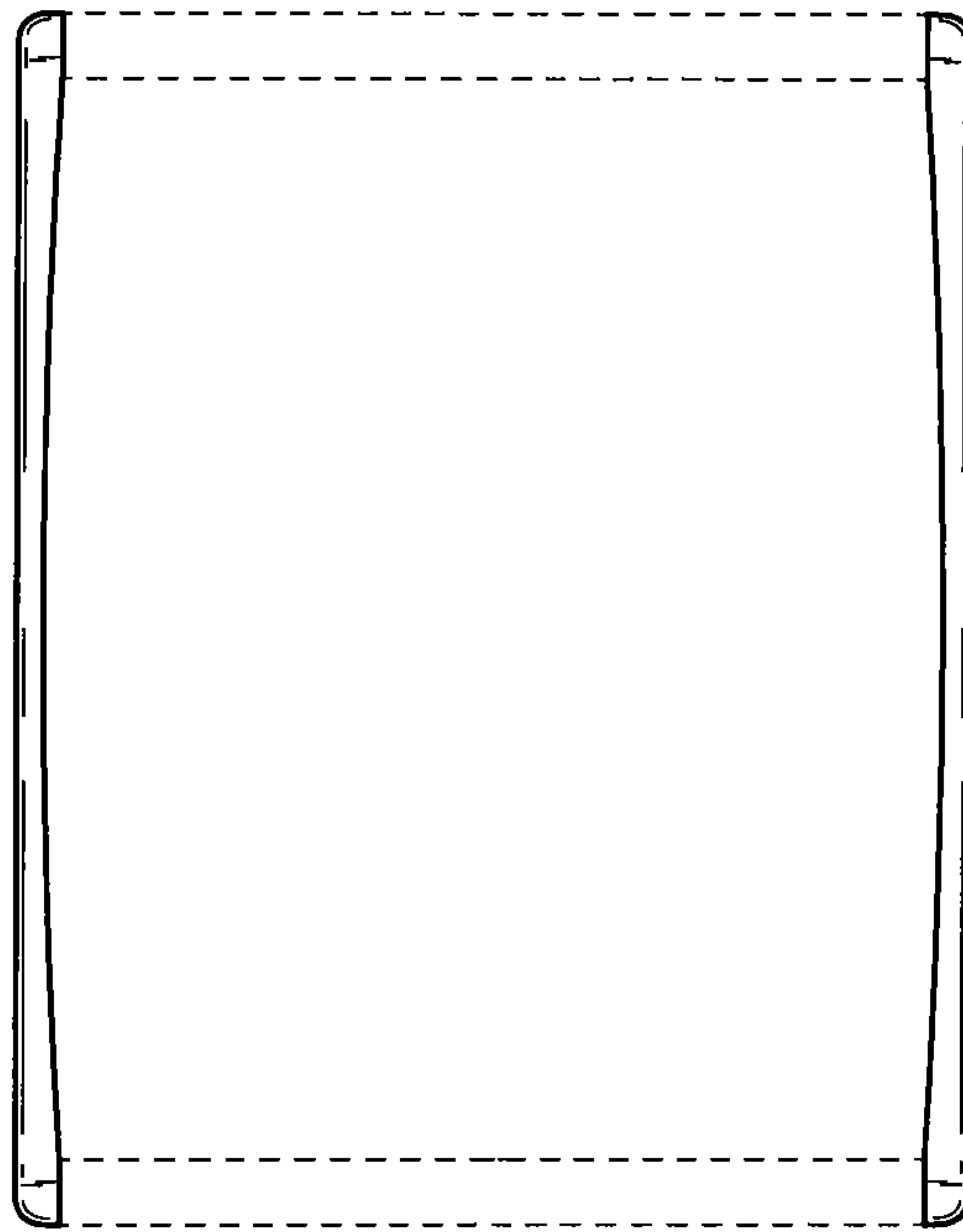


FIG. 11

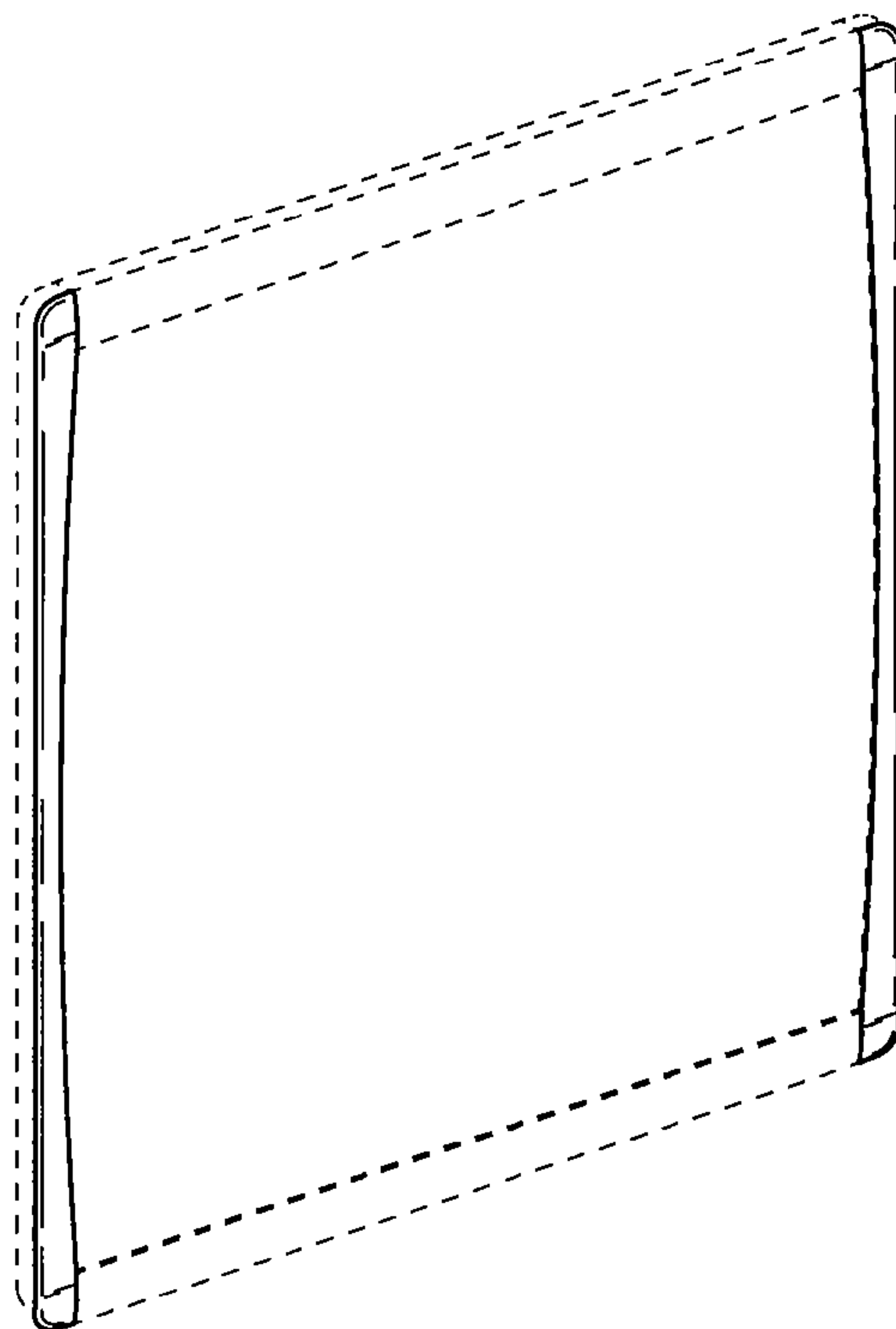


FIG. 12

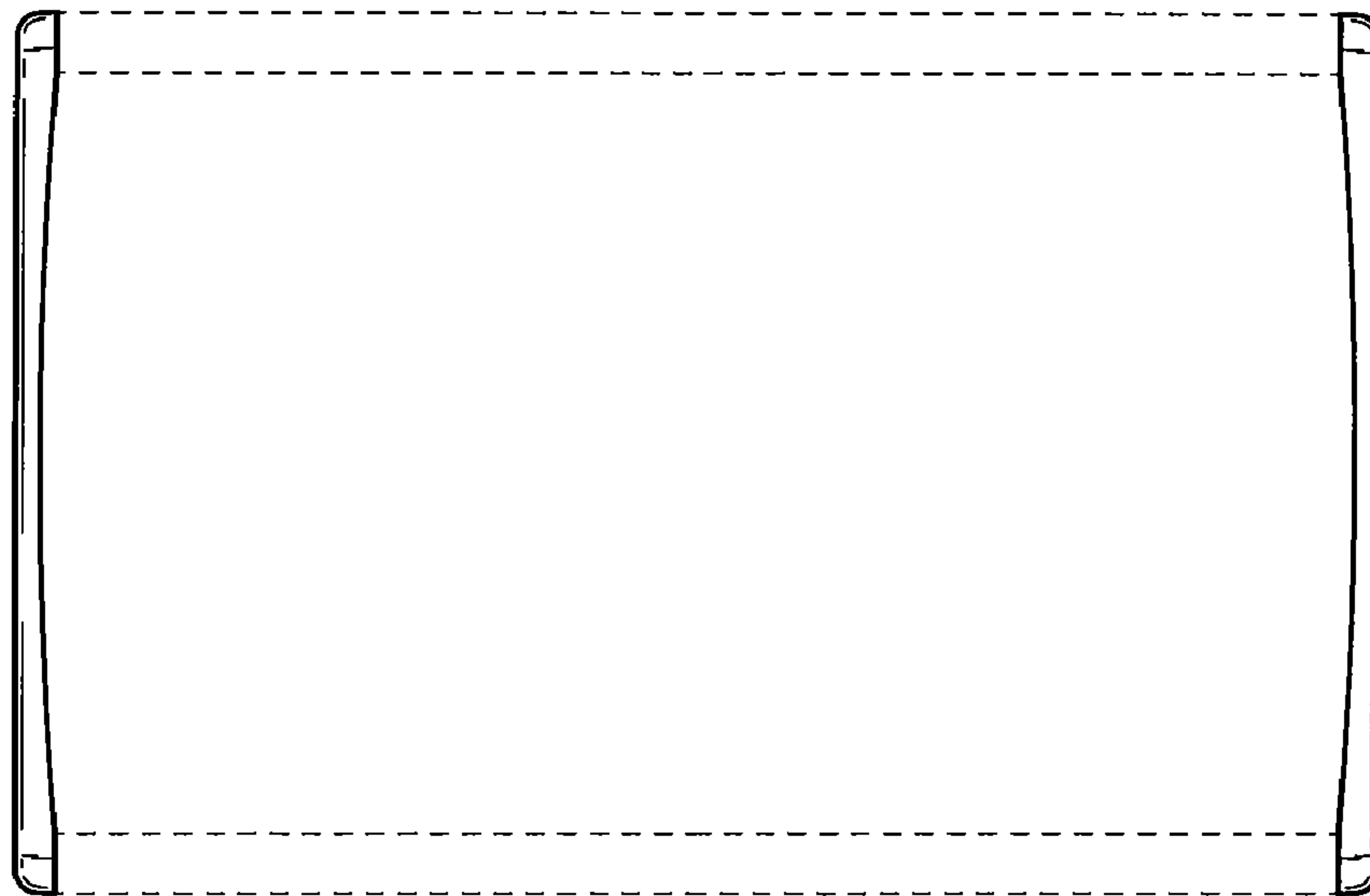


FIG. 13

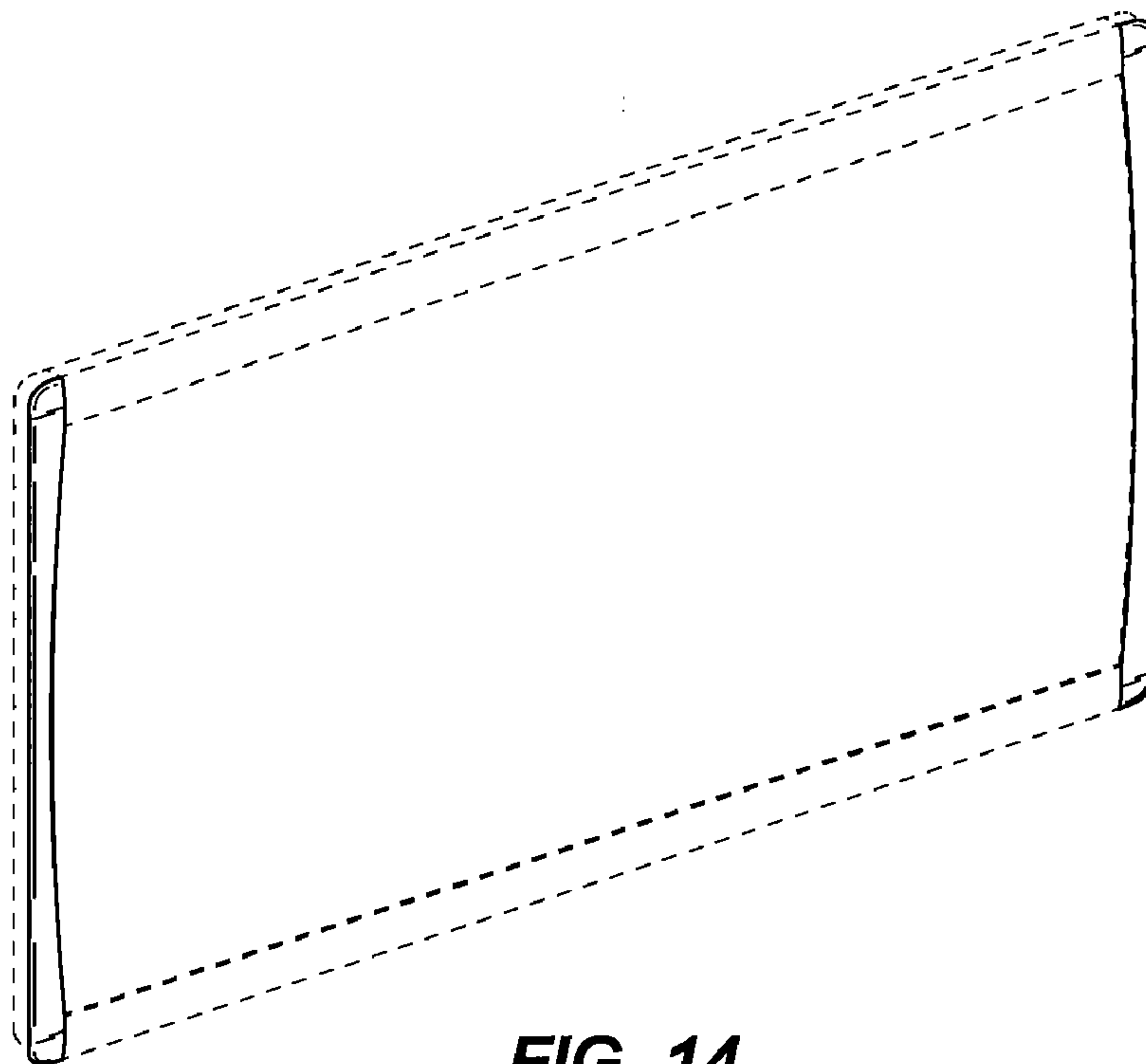


FIG. 14



FIG. 15

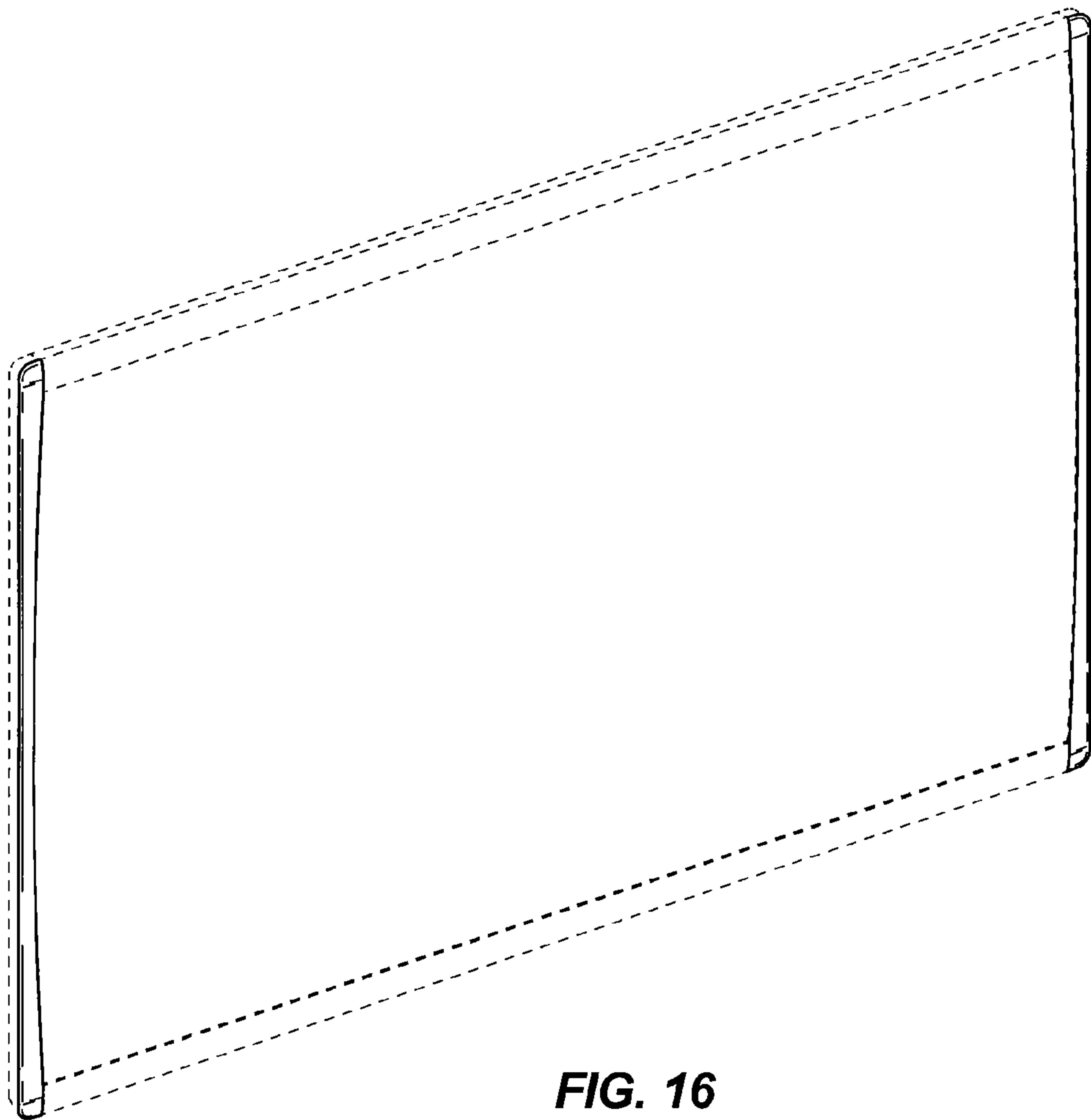


FIG. 16