



US00D562407S

(12) **United States Design Patent**
Graziani

(10) **Patent No.:** **US D562,407 S**

(45) **Date of Patent:** **** Feb. 19, 2008**

(54) **EXHIBIT DISPLAY**

(75) Inventor: **Michael Graziani**, Cannonsburg, PA
(US)

(73) Assignee: **The Trade Group, Inc.**, Carrollton, TX
(US)

(**) Term: **14 Years**

(21) Appl. No.: **29/277,238**

(22) Filed: **Feb. 19, 2007**

(51) **LOC (8) Cl.** **20-02**

(52) **U.S. Cl.** **D20/41; D20/39**

(58) **Field of Classification Search** D20/10,
D20/12, 19, 39-41, 43, 99; 40/1, 388, 446,
40/448, 530, 541, 584, 603-605, 606.01,
40/606.1, 606.12, 606.16, 607.01, 610, 618,
40/624; 283/56, 81; D6/332, 396; 248/473
See application file for complete search history.

(56) **References Cited**

U.S. PATENT DOCUMENTS

D44,560 S *	8/1913	La Gatta	D20/41
1,400,564 A *	12/1921	Metzger	248/473
D74,764 S *	3/1928	Selle	D20/39
D144,886 S *	6/1946	Bair	D20/39
D185,594 S *	6/1959	Cothorn	D20/41
D355,677 S *	2/1995	Taylor	D20/10
D408,864 S *	4/1999	Linko, Sr.	D20/41
5,937,555 A *	8/1999	Query	438/14
D419,604 S *	1/2000	Emmett	D20/10
D479,277 S *	9/2003	Strunk et al.	D20/41
6,668,476 B1 *	12/2003	Gaines et al.	40/618

* cited by examiner

Primary Examiner—Robert M. Spear

Assistant Examiner—Mary Ann Calabrese

(74) *Attorney, Agent, or Firm*—Howison & Arnott, L.L.P.

(57) **CLAIM**

The ornamental design for an exhibit display, as shown.

DESCRIPTION

FIG. 1 is a perspective view of an exhibit display showing a new design;

FIG. 2 is a front elevational view thereof;

FIG. 3 is a right side view thereof;

FIG. 4 is a left side view thereof;

FIG. 5 is a rear elevational view thereof;

FIG. 6 is a top plan view thereof;

FIG. 7 is a perspective view of a second embodiment of an exhibit display showing a new design;

FIG. 8 is a front elevational view of the second embodiment;

FIG. 9 is a right side view of the second embodiment;

FIG. 10 is a left side view of the second embodiment;

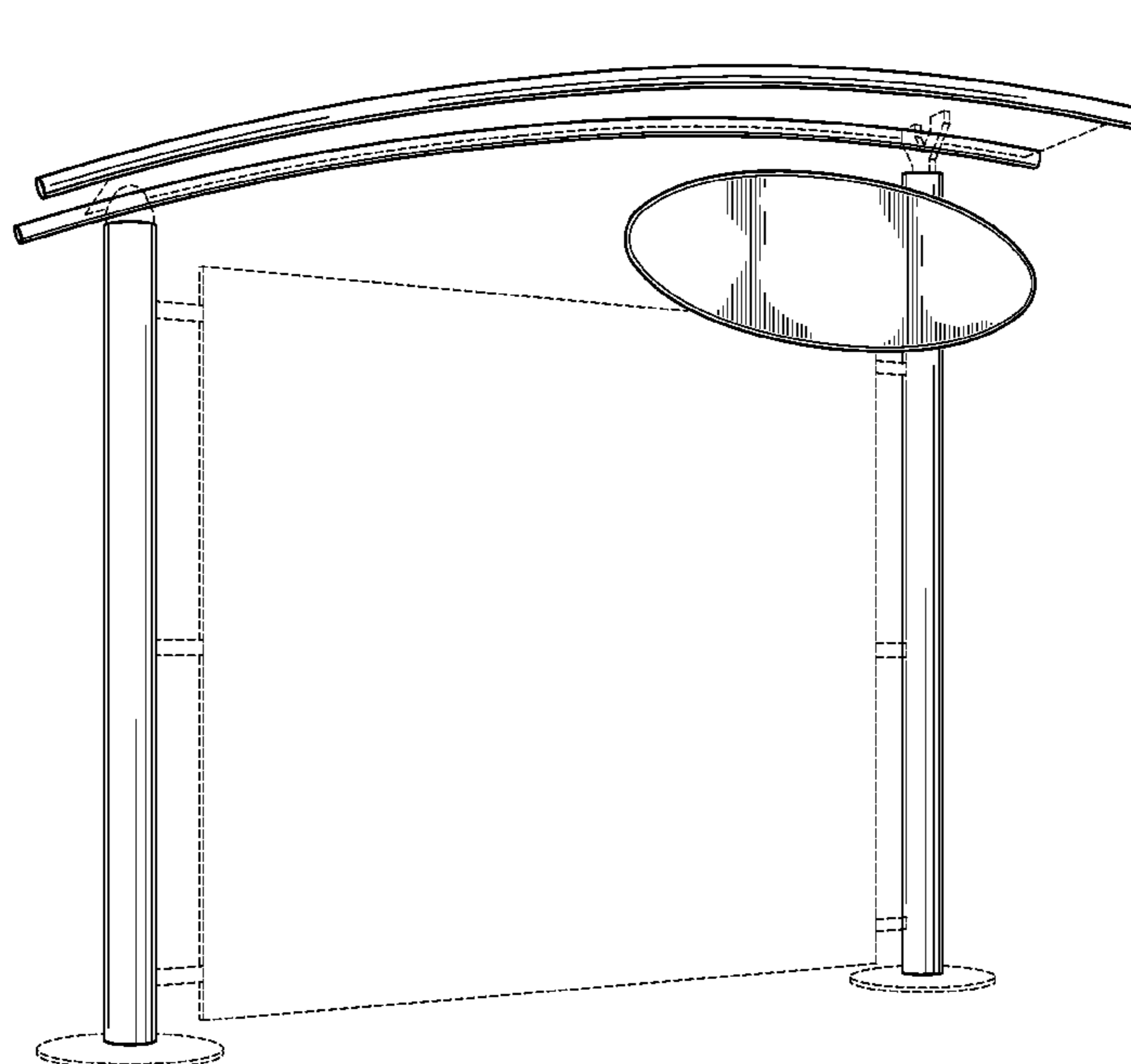
FIG. 11 is a back elevational view of the second embodiment; and,

FIG. 12 is a top plan view of the second embodiment.

The supports in FIGS. 8-11 have the same length as shown in FIG. 7, but are shown broken away for ease of disclosure on the drawing sheet.

In the drawings, the broken lines represent environmental structure forming no part of the claim.

1 Claim, 10 Drawing Sheets



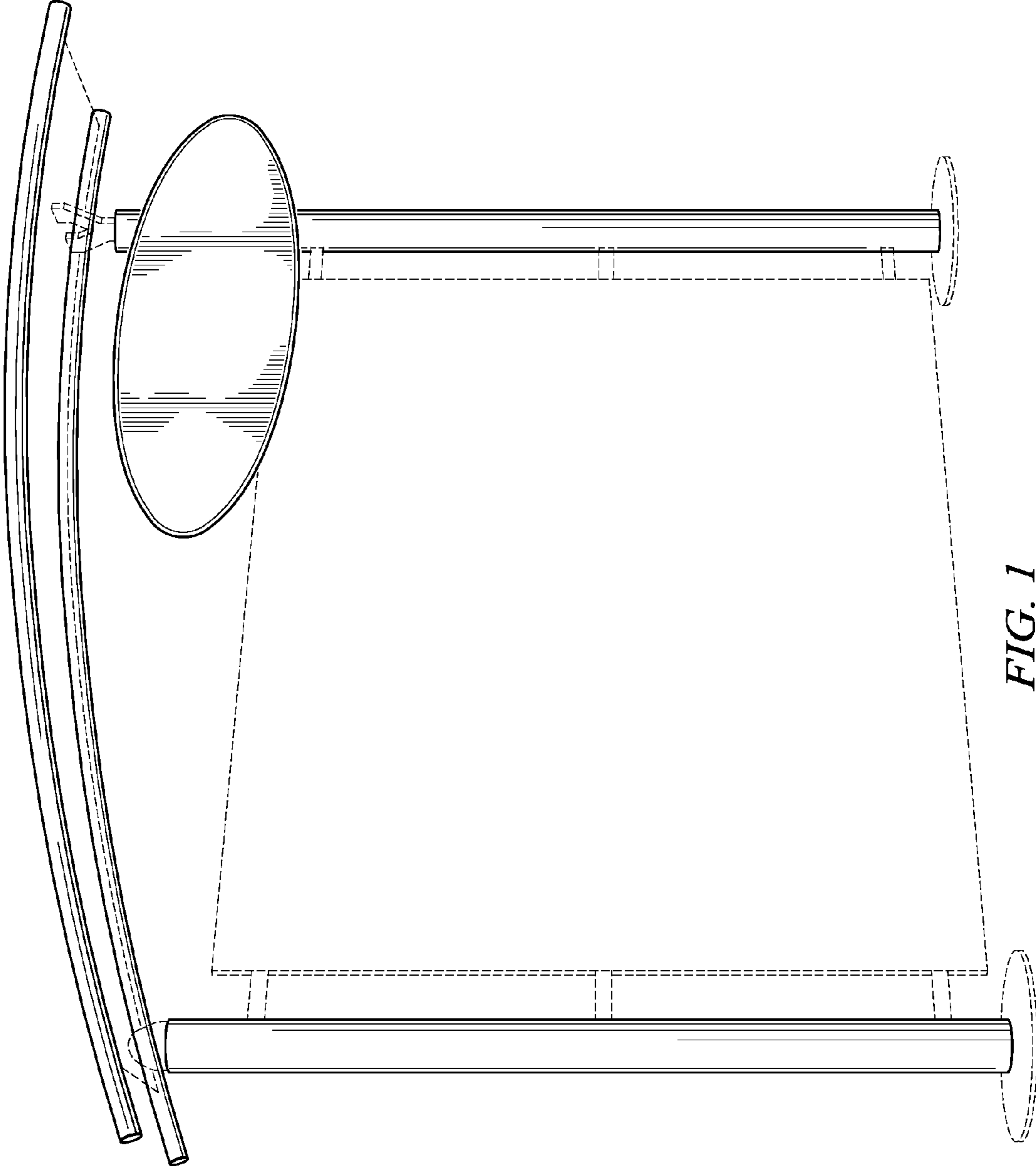


FIG. 1

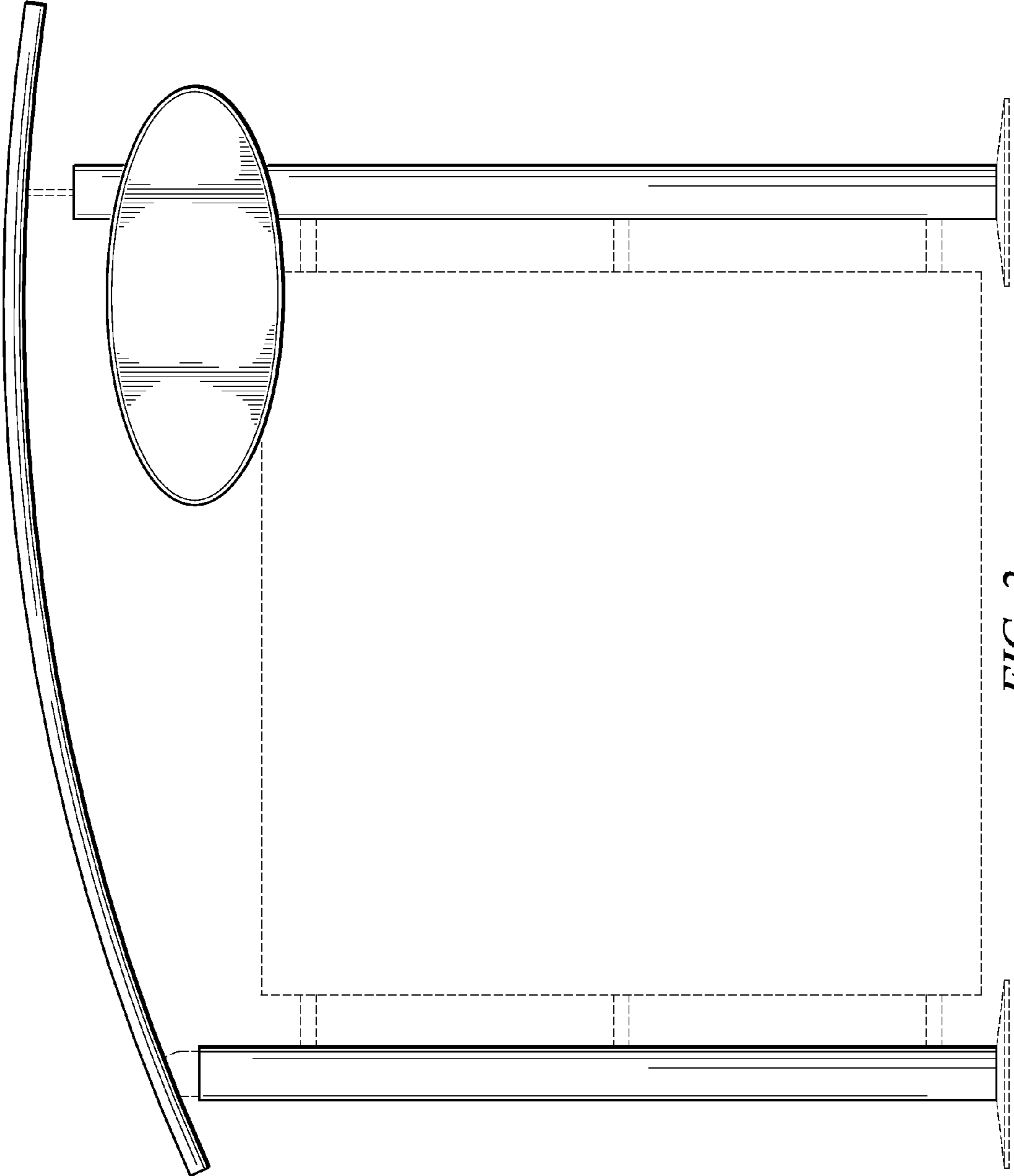


FIG. 2

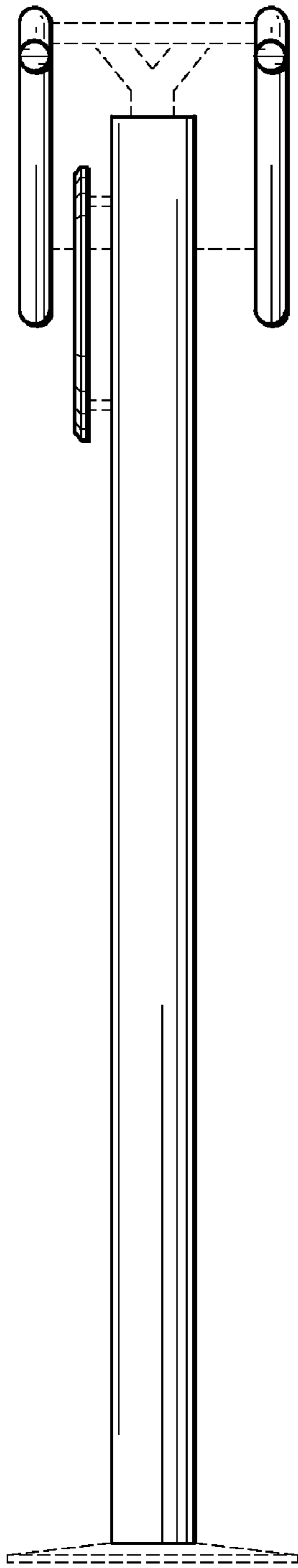


FIG. 3

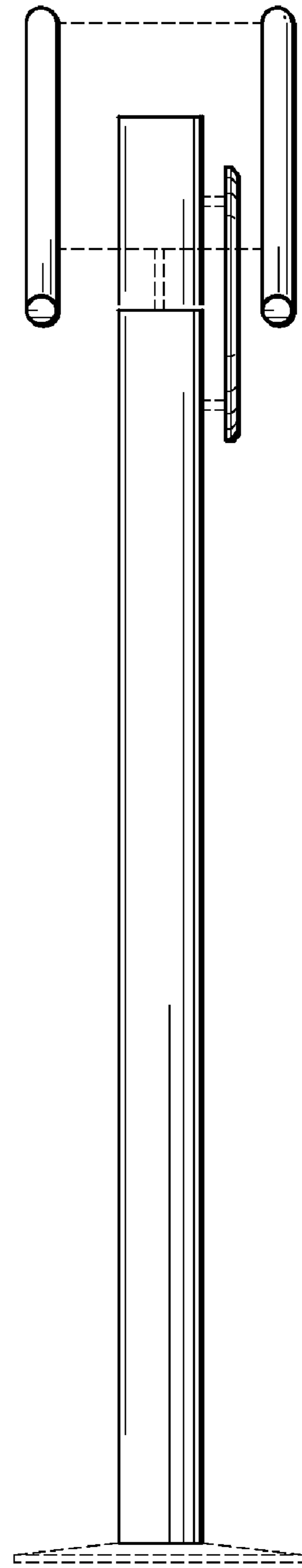


FIG. 4

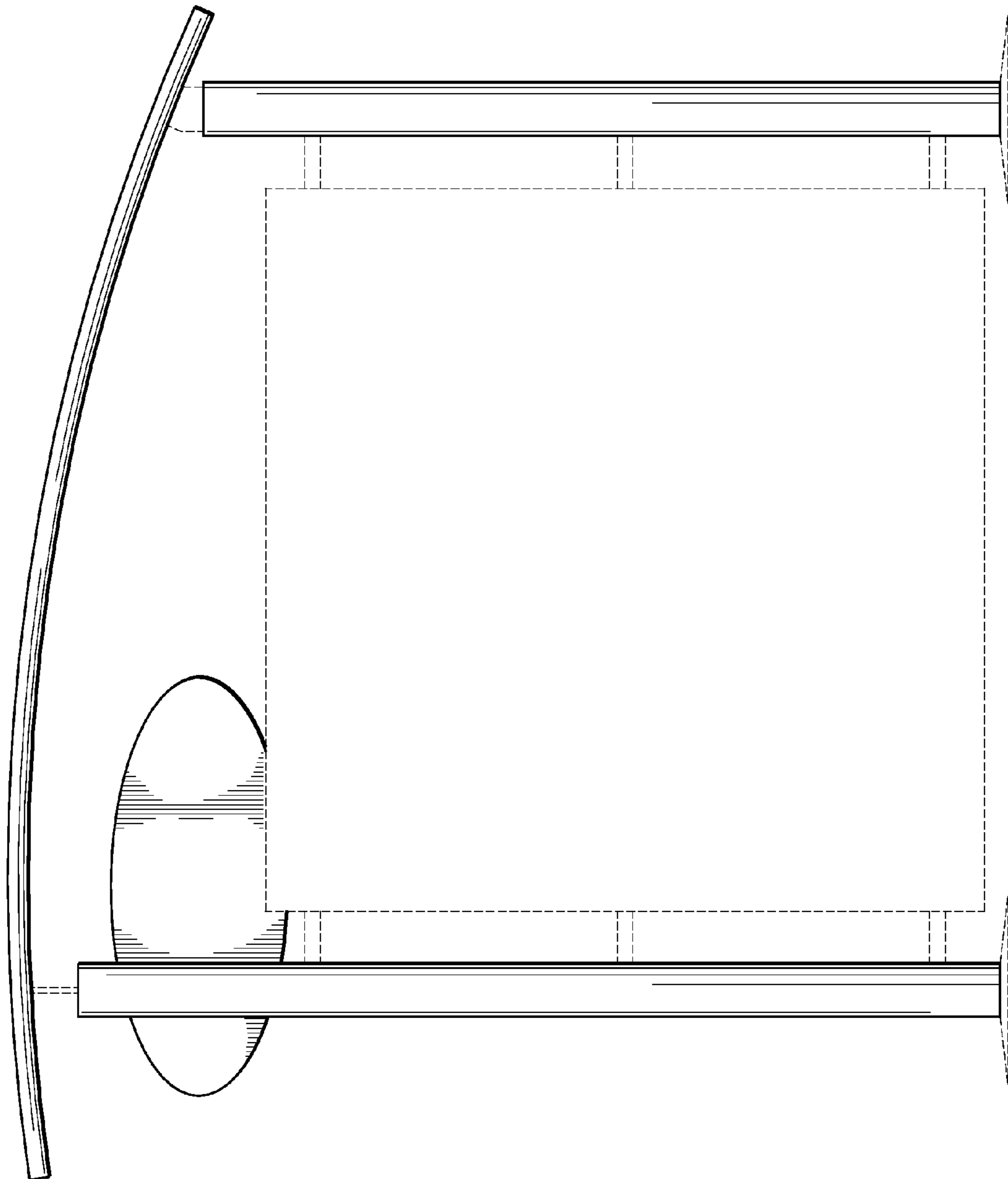


FIG. 5

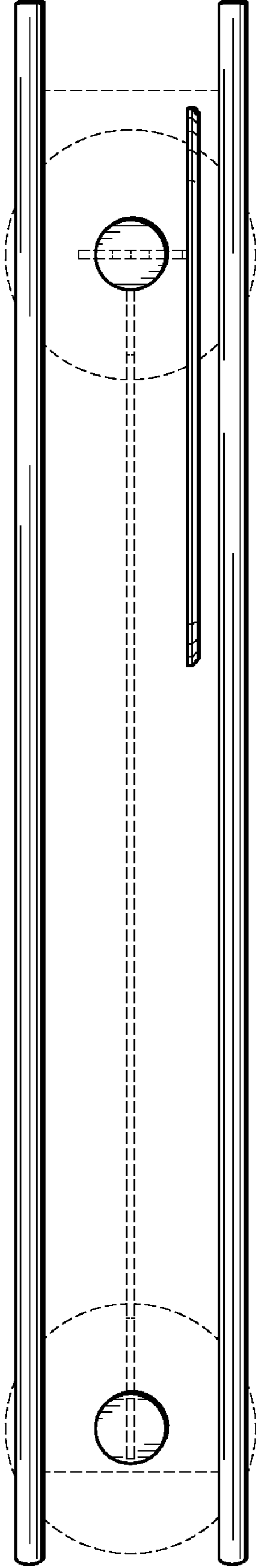


FIG. 6

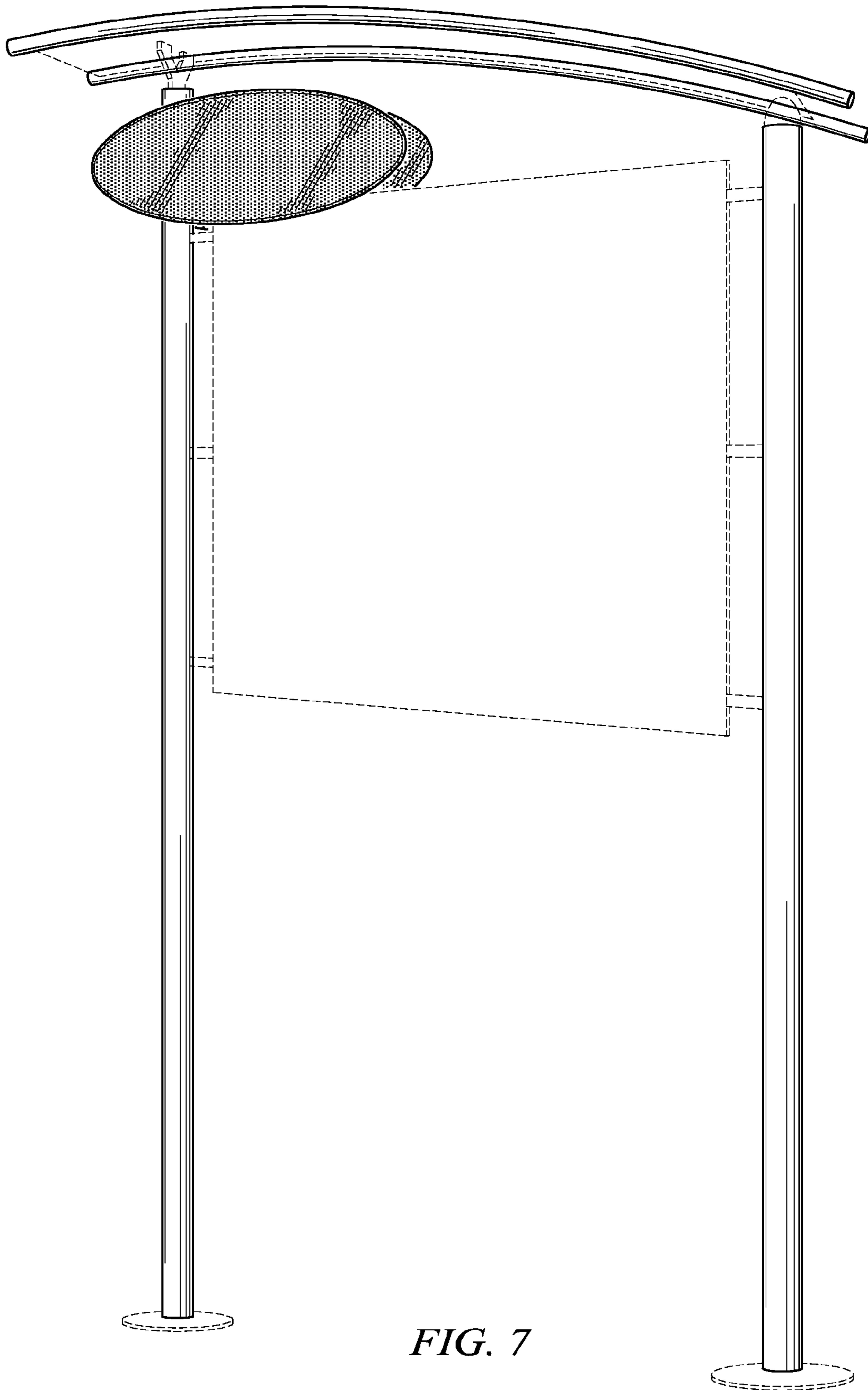


FIG. 7

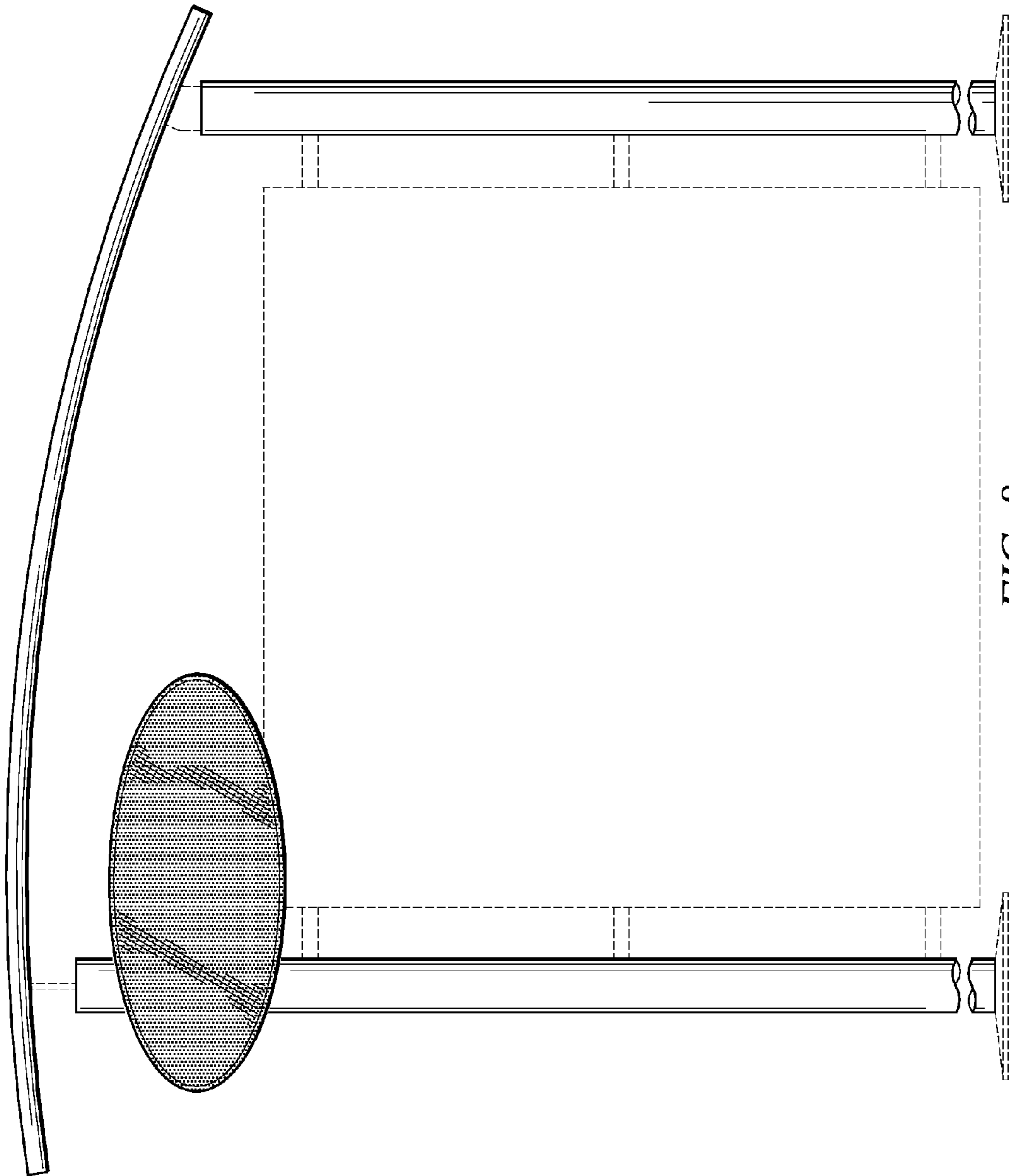


FIG. 8

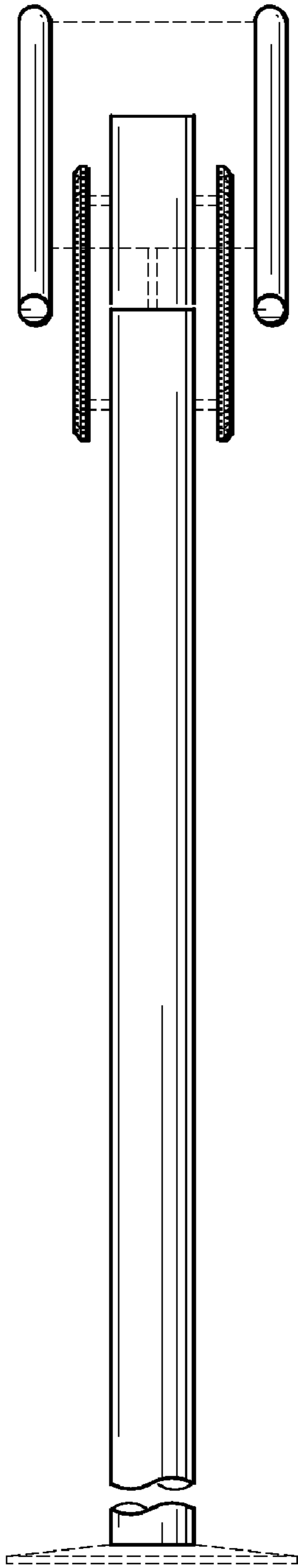


FIG. 9

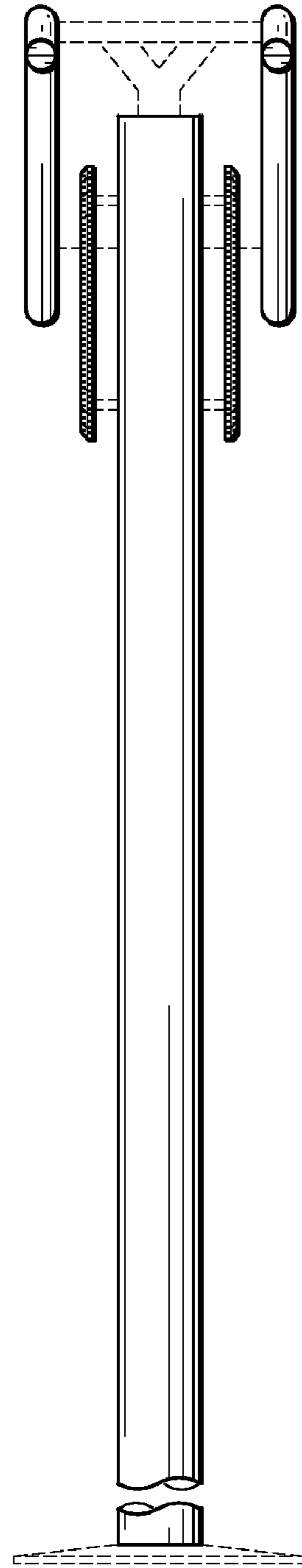


FIG. 10

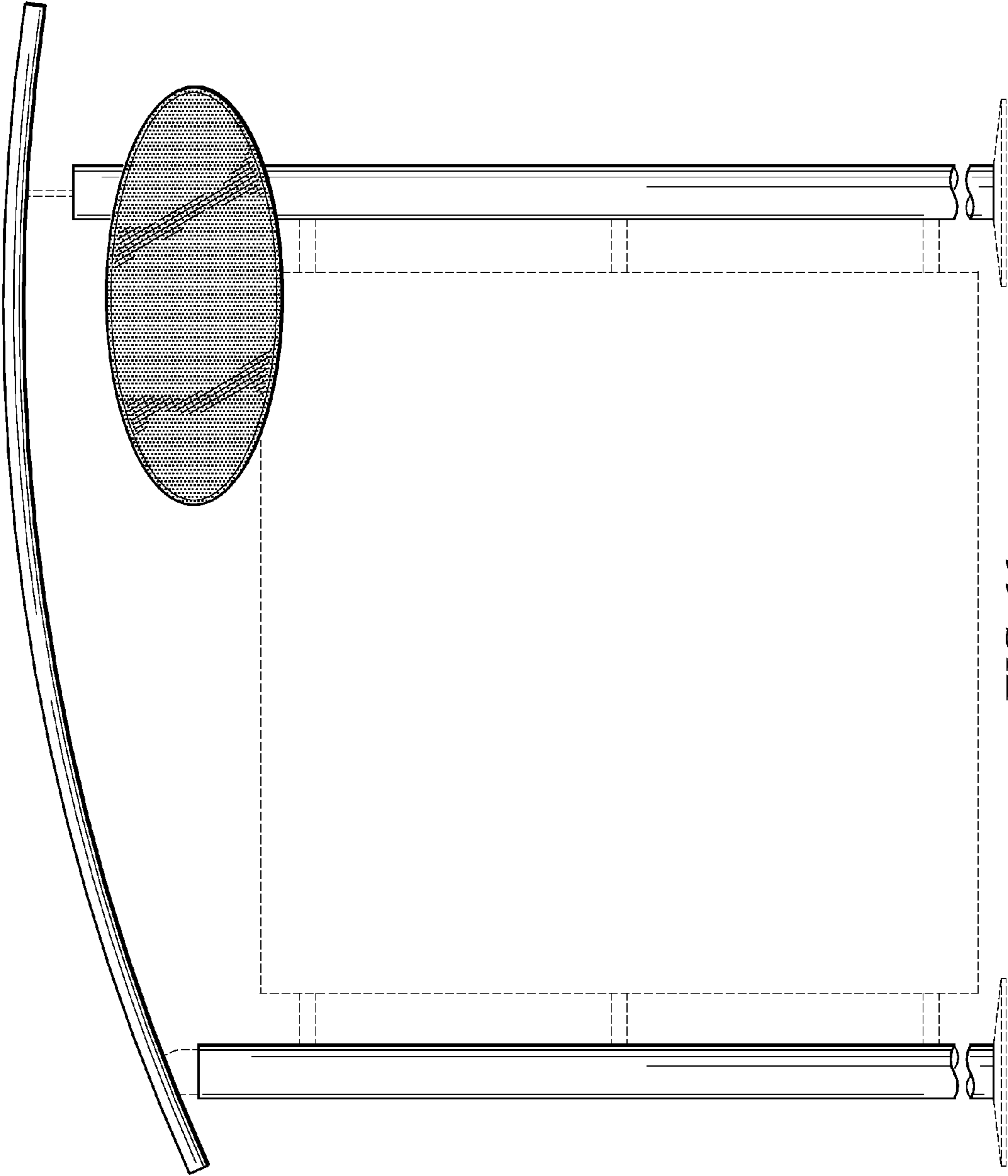


FIG. 11

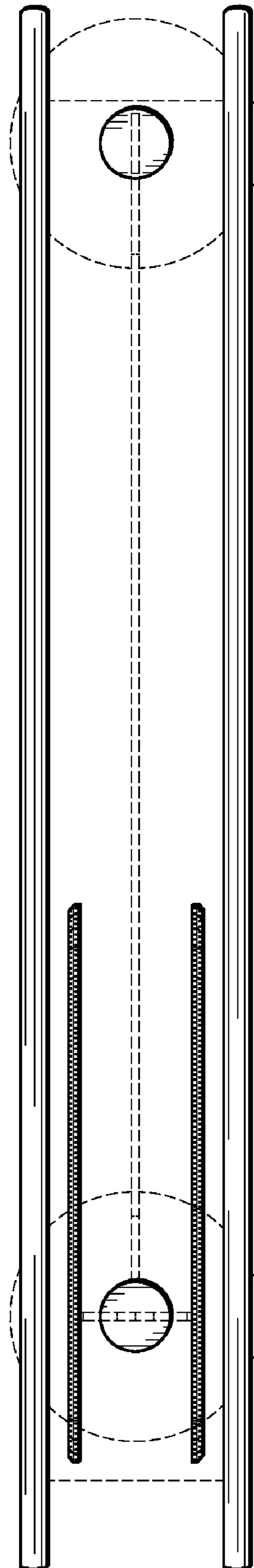


FIG. 12