



US00D562404S

(12) **United States Design Patent** (10) **Patent No.:** **US D562,404 S**
Jansen et al. (45) **Date of Patent:** **** Feb. 19, 2008**

(54) **CORRECTION ROLLER**

(75) Inventors: **Anja Jansen**, Ratingen (DE); **Lutz Paulus**, Neuss (DE); **Ernst Wedekind**, Cologne (DE); **Peter Rushe**, Duesseldorf (DE)

(73) Assignee: **Henkel Kommanditgesellschaft auf Aktien**, Duesseldorf (DE)

(**) Term: **14 Years**

(21) Appl. No.: **29/278,317**

(22) Filed: **Mar. 26, 2007**

(30) **Foreign Application Priority Data**

Sep. 27, 2006 (EM) 000595061

(51) **LOC (8) Cl.** **19-02**

(52) **U.S. Cl.** **D19/69**

(58) **Field of Classification Search** D19/66,
D19/67, 68, 69, 70; 156/523, 257, 540, 577;
206/411; 225/6, 25, 39, 77; 242/588, 588.1,
242/588.2, 588.3, 588.6, 598.5

See application file for complete search history.

(56) **References Cited**

U.S. PATENT DOCUMENTS

- D270,038 S * 8/1983 Lipscombe D9/529
- D339,819 S * 9/1993 Chen D18/15
- D367,004 S * 2/1996 Herbst et al. D9/689
- D380,355 S * 7/1997 Husted D7/679
- D426,300 S * 6/2000 Conforti D24/115
- D441,640 S * 5/2001 Reinoso D9/686
- D447,695 S * 9/2001 Lloyd D9/529
- D455,349 S * 4/2002 Lloyd D9/529
- D457,062 S * 5/2002 Lloyd D9/504
- D496,279 S * 9/2004 Hama et al. D9/529
- D497,107 S * 10/2004 Hama et al. D9/529
- D508,858 S * 8/2005 Sato et al. D9/724
- D542,141 S * 5/2007 Okin et al. D9/529

* cited by examiner

Primary Examiner—Cathron C. Brooks

Assistant Examiner—Austin Murphy

(74) *Attorney, Agent, or Firm*—Stephen D. Harper; Glenn E. J. Murphy; James E. Piotrowski

(57) **CLAIM**

The ornamental design for a correction roller, as shown and described.

DESCRIPTION

FIG. 1 is a top left rear perspective view of the correction roller shown with the cap in closed position according to our new design;

FIG. 2 is a left elevation view thereof;

FIG. 3 is a right elevation view thereof;

FIG. 4 is a top plan view thereof;

FIG. 5 is a bottom plan view thereof;

FIG. 6 is a front elevation view thereof; and

FIG. 7 is a rear elevation view thereof.

FIG. 8 is a top left rear perspective view of the correction roller of FIG. 1 shown without the cap for completeness of illustration;

FIG. 9 is a left elevation of FIG. 8;

FIG. 10 is a right elevation view of FIG. 8;

FIG. 11 is a top plan view of FIG. 8;

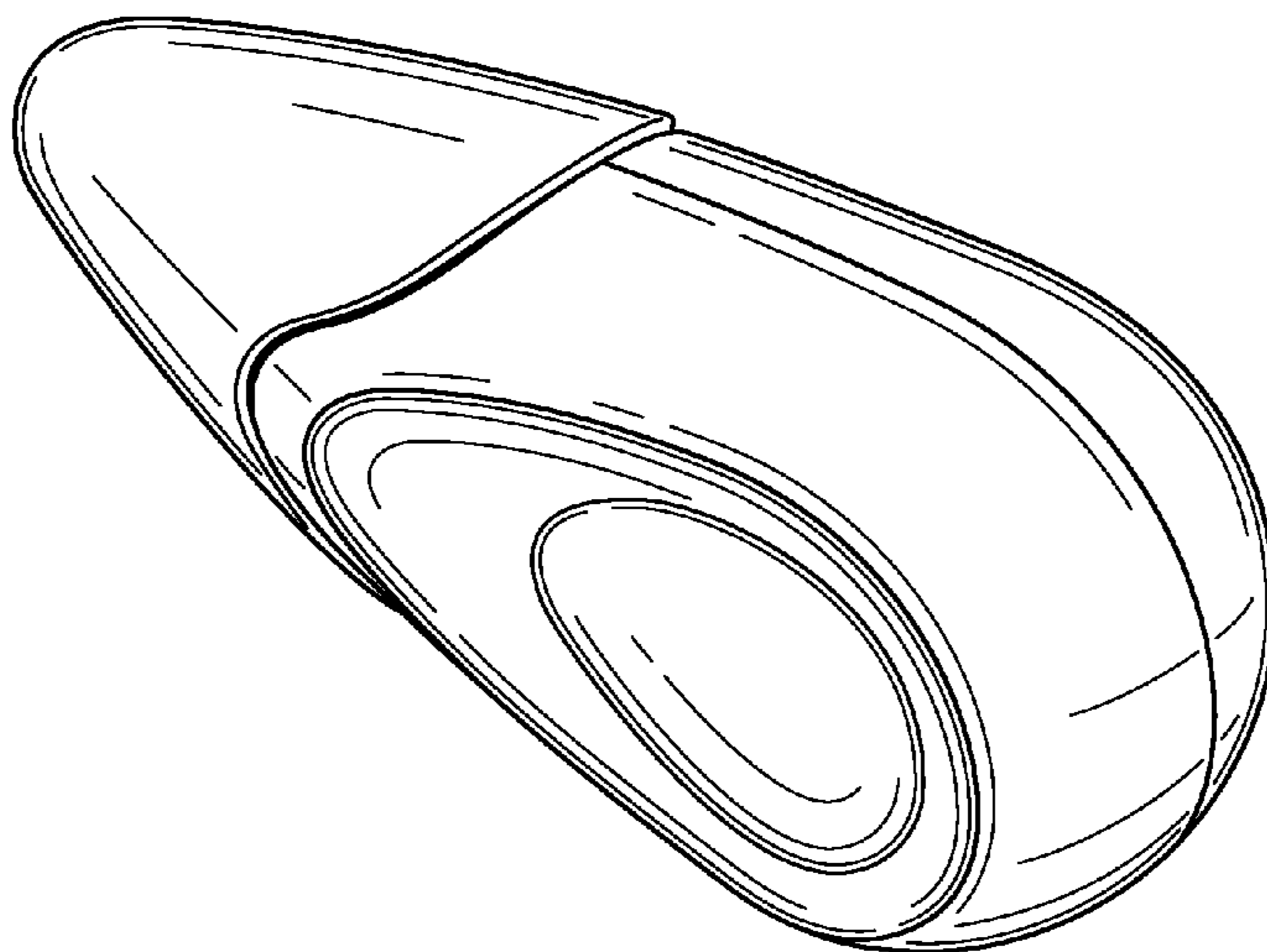
FIG. 12 is a bottom plan view of FIG. 8;

FIG. 13 is a front elevation view of FIG. 8; and,

FIG. 14 is a rear elevation view of FIG. 8;

The broken line showing of the elements of the correction roller is for the purpose of illustrating portions that form no part of the claimed design.

1 Claim, 4 Drawing Sheets



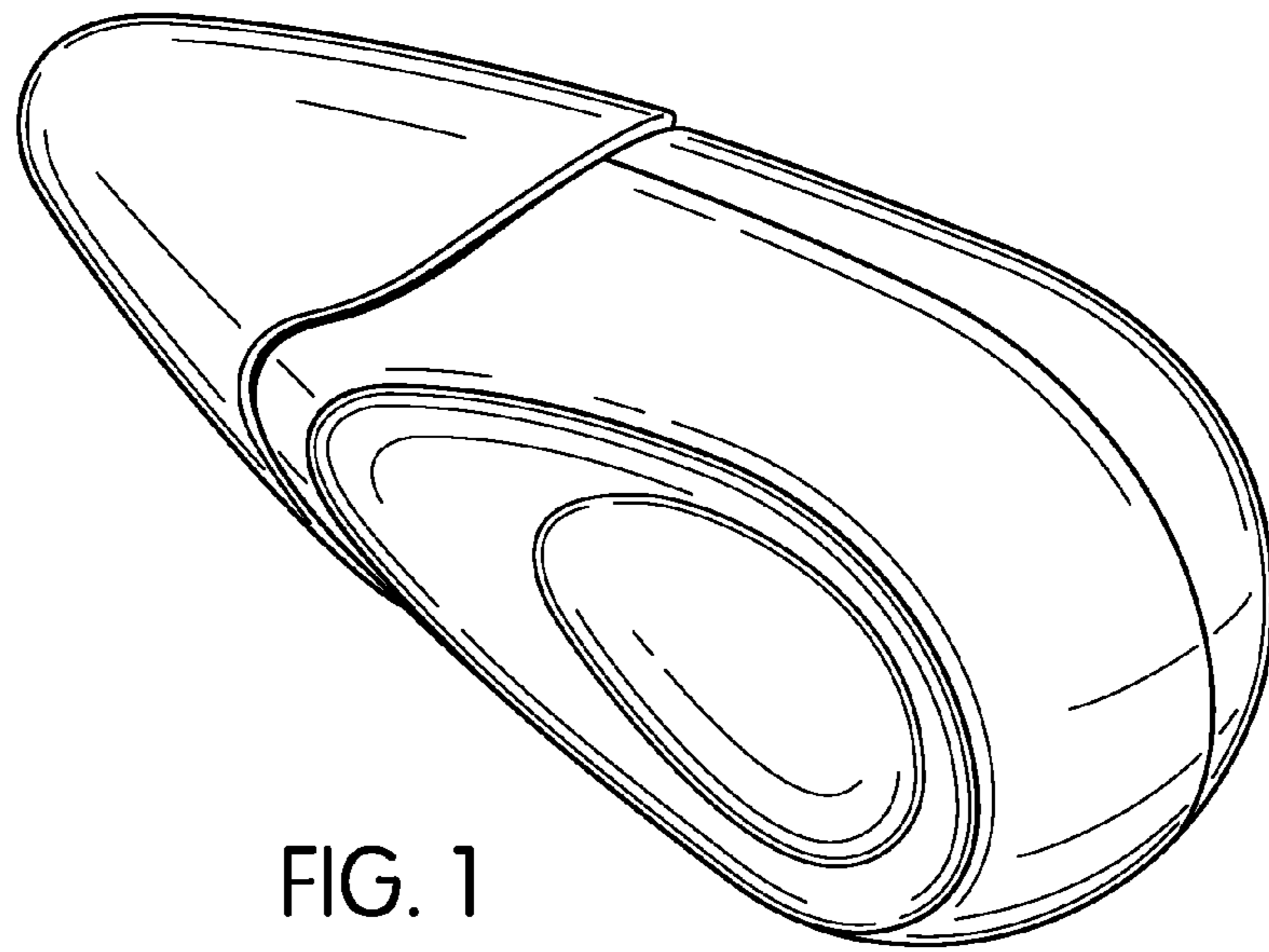


FIG. 1

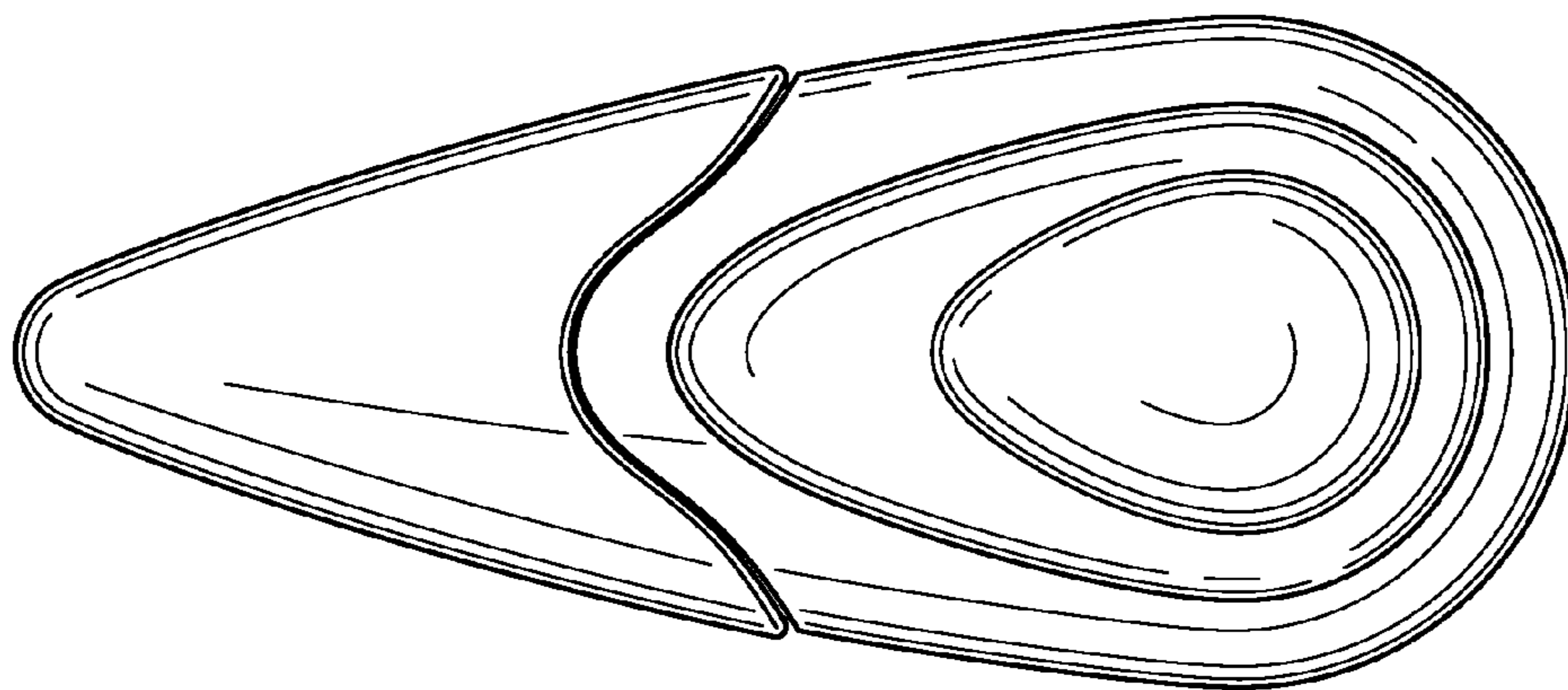


FIG. 2

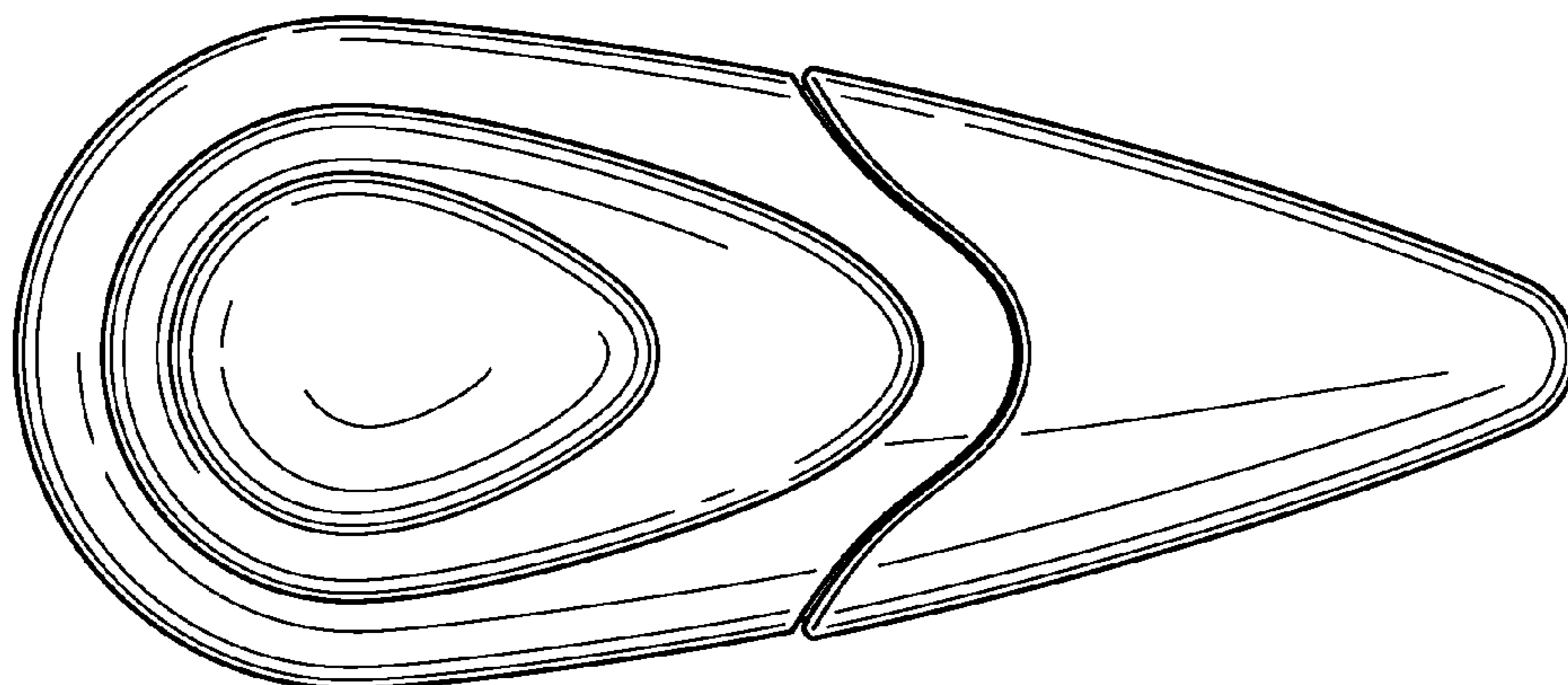


FIG. 3

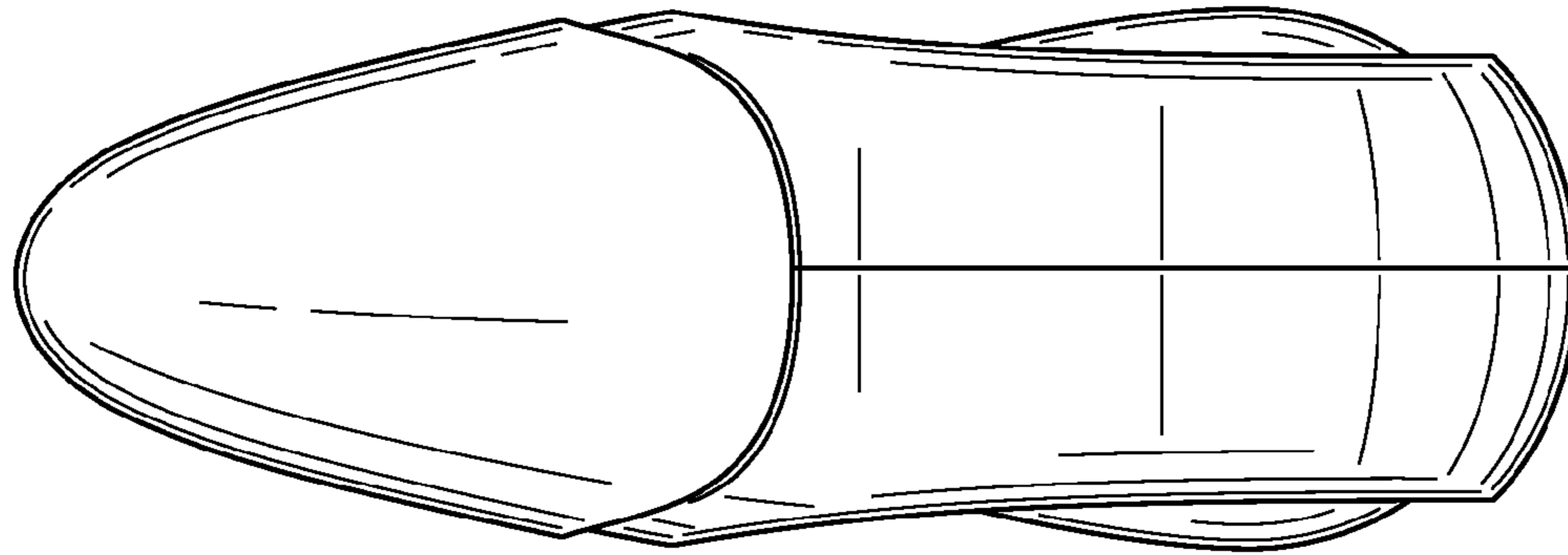


FIG. 4

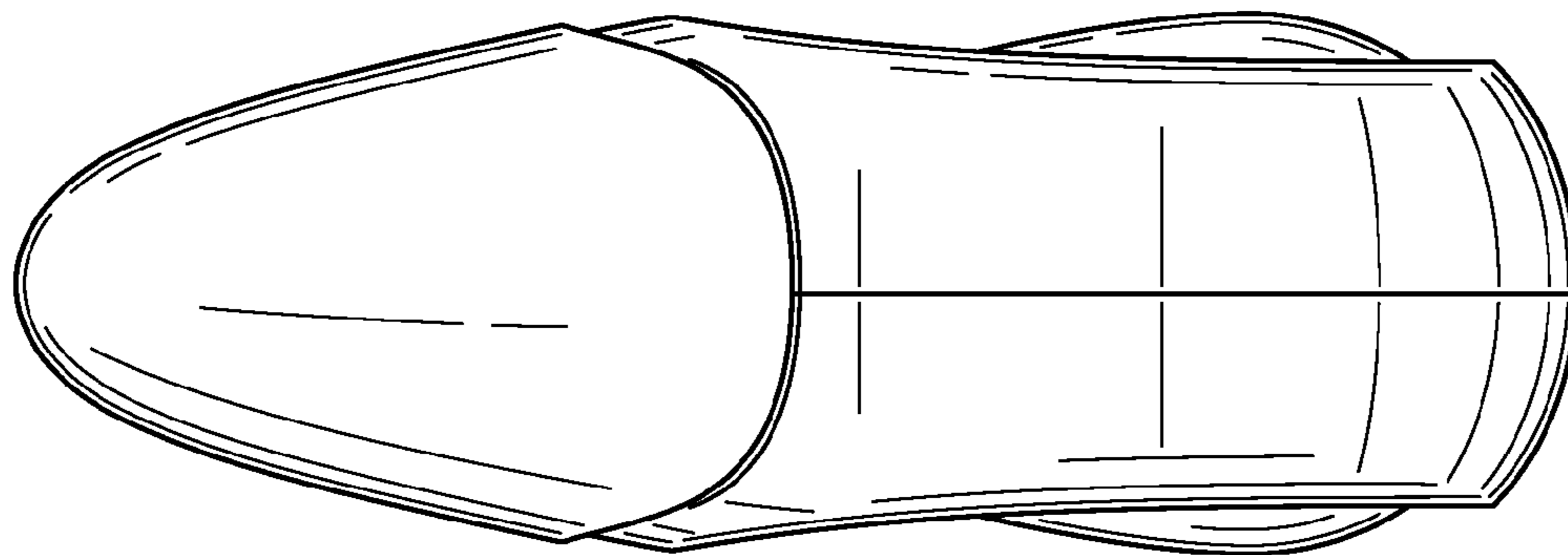


FIG. 5

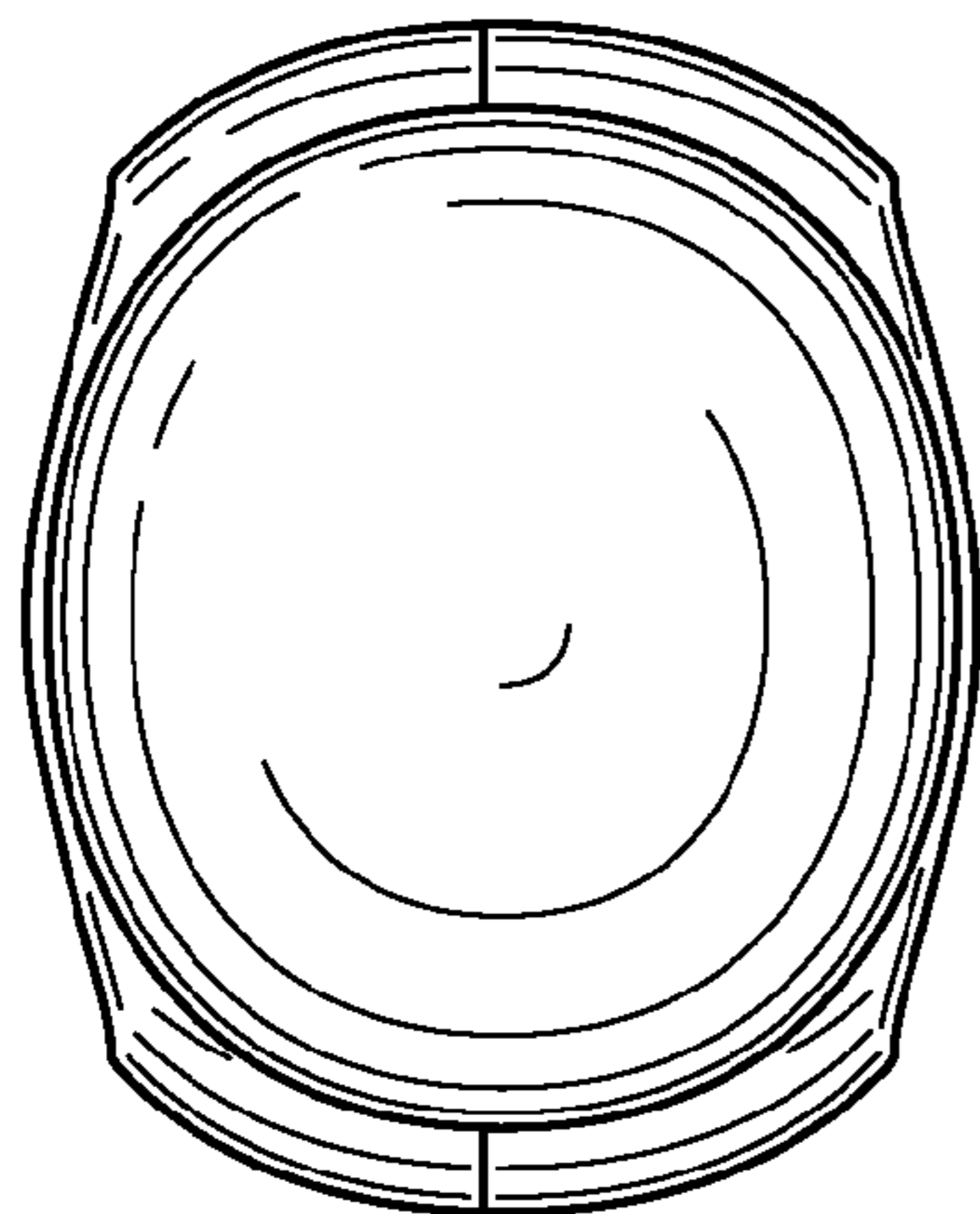


FIG. 6

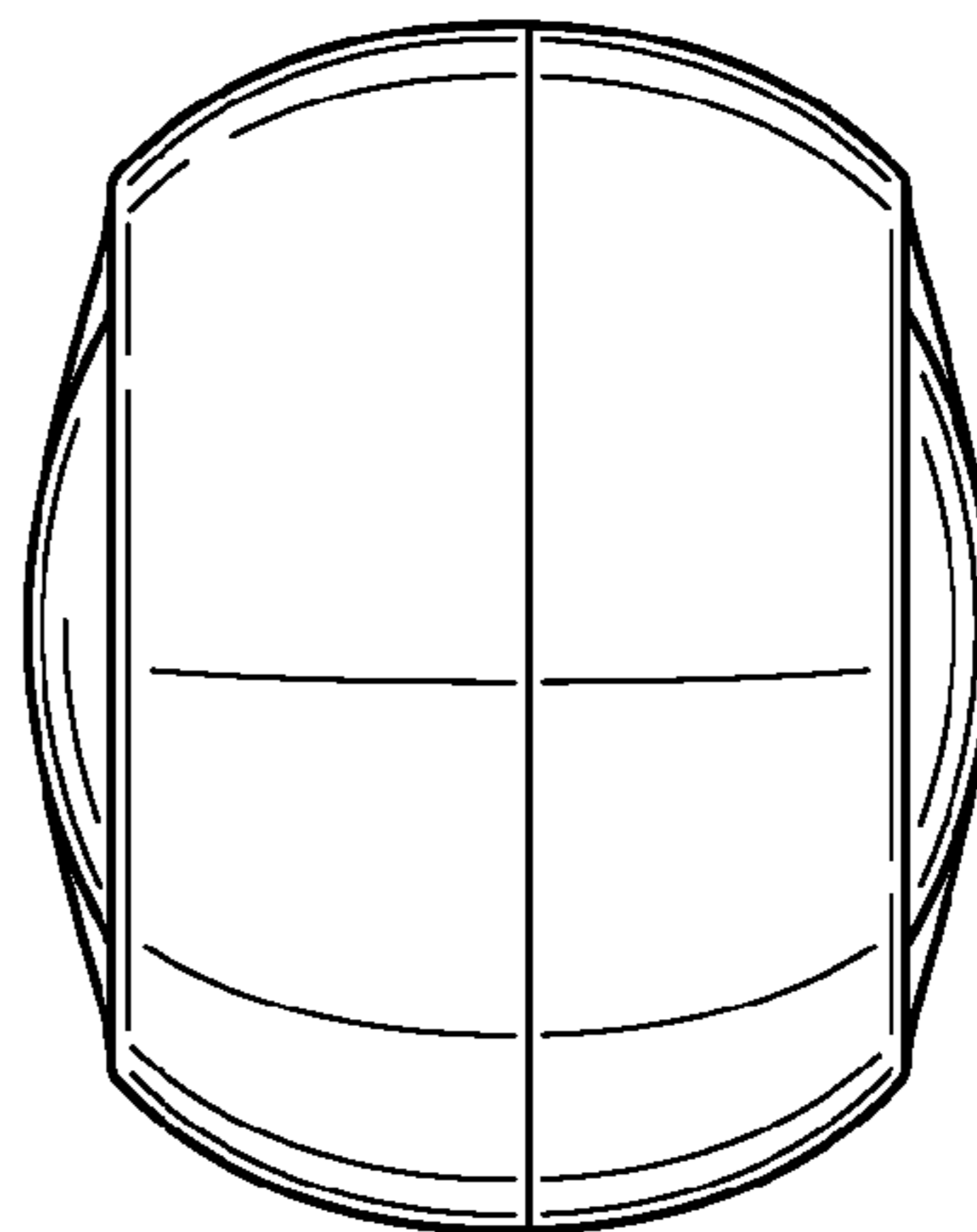


FIG. 7

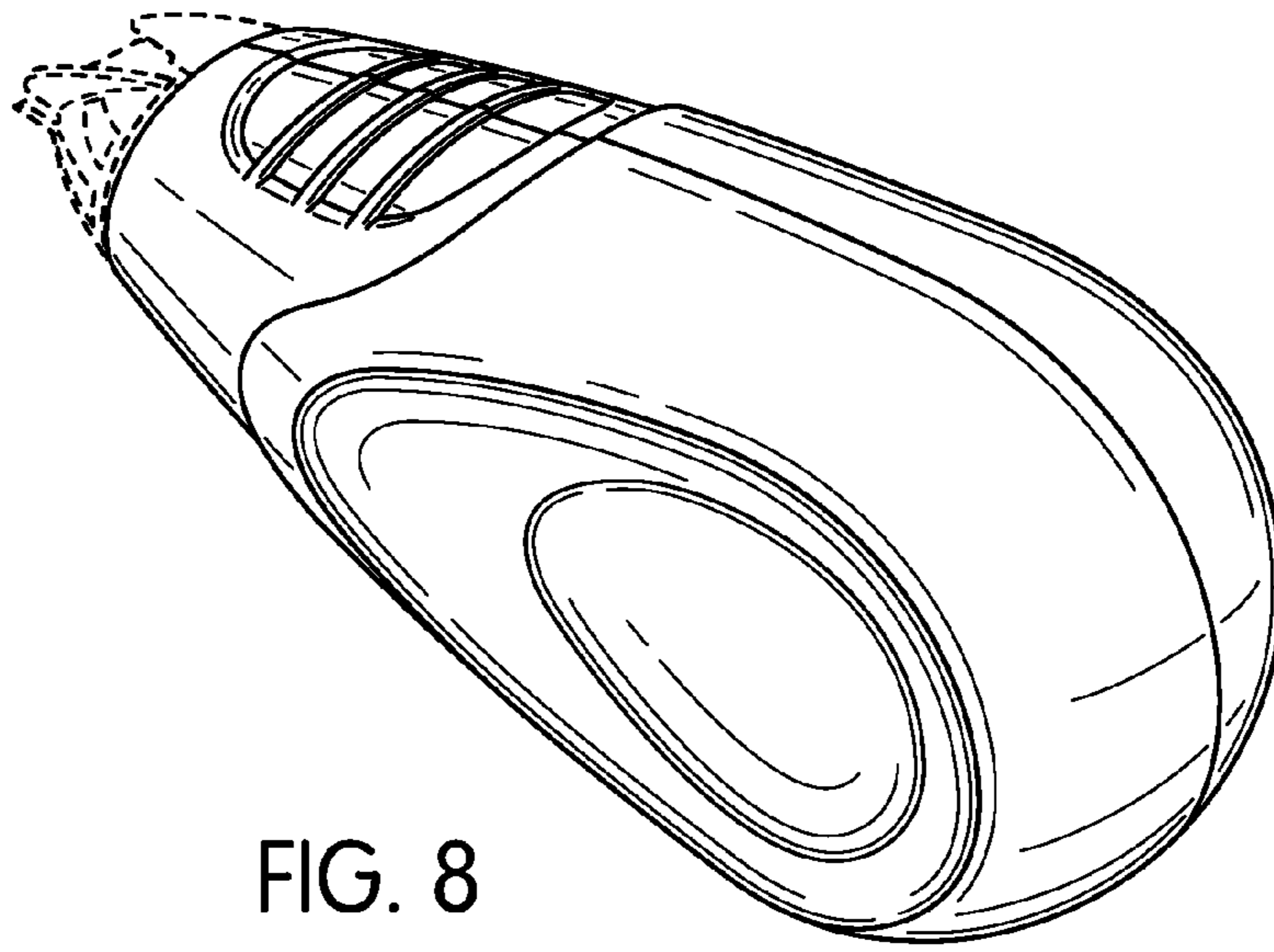


FIG. 8

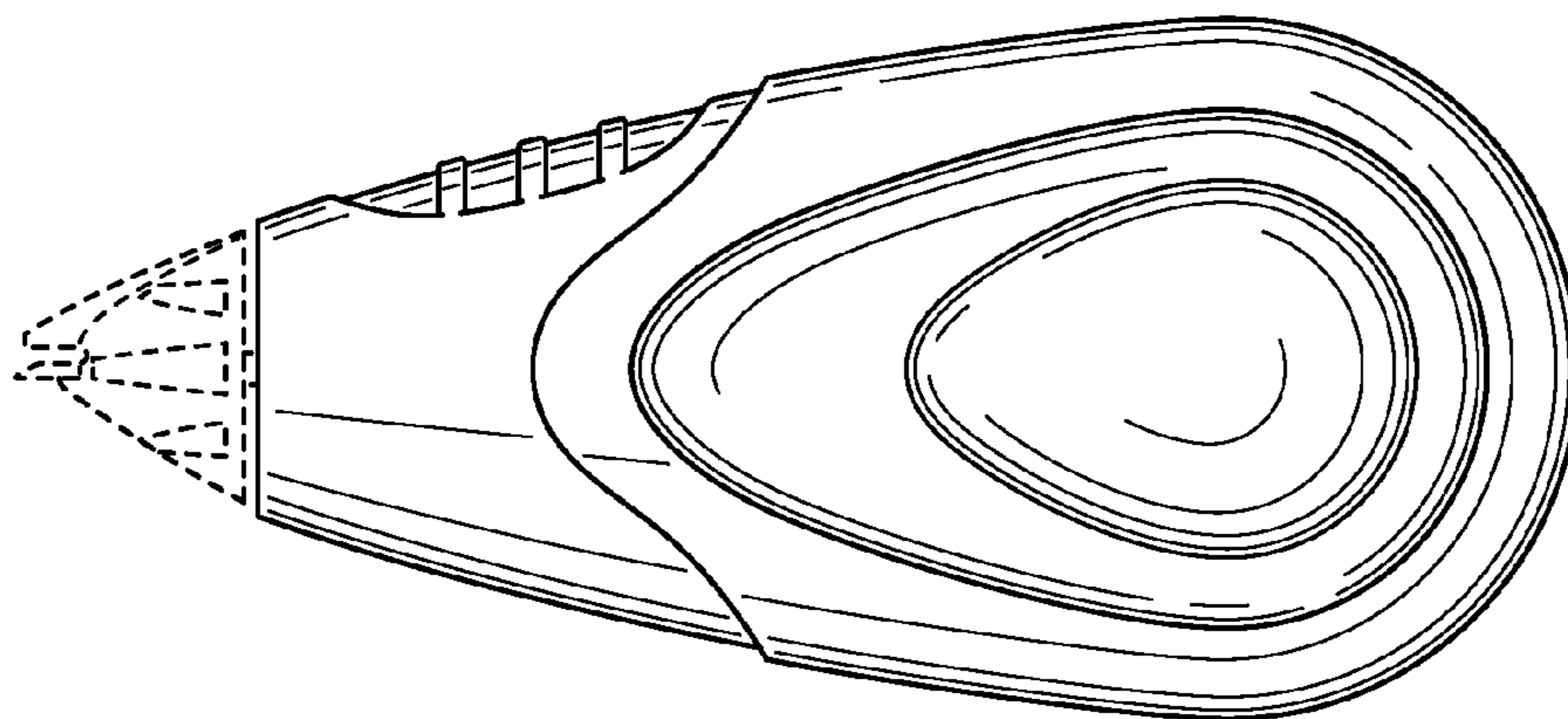


FIG. 9

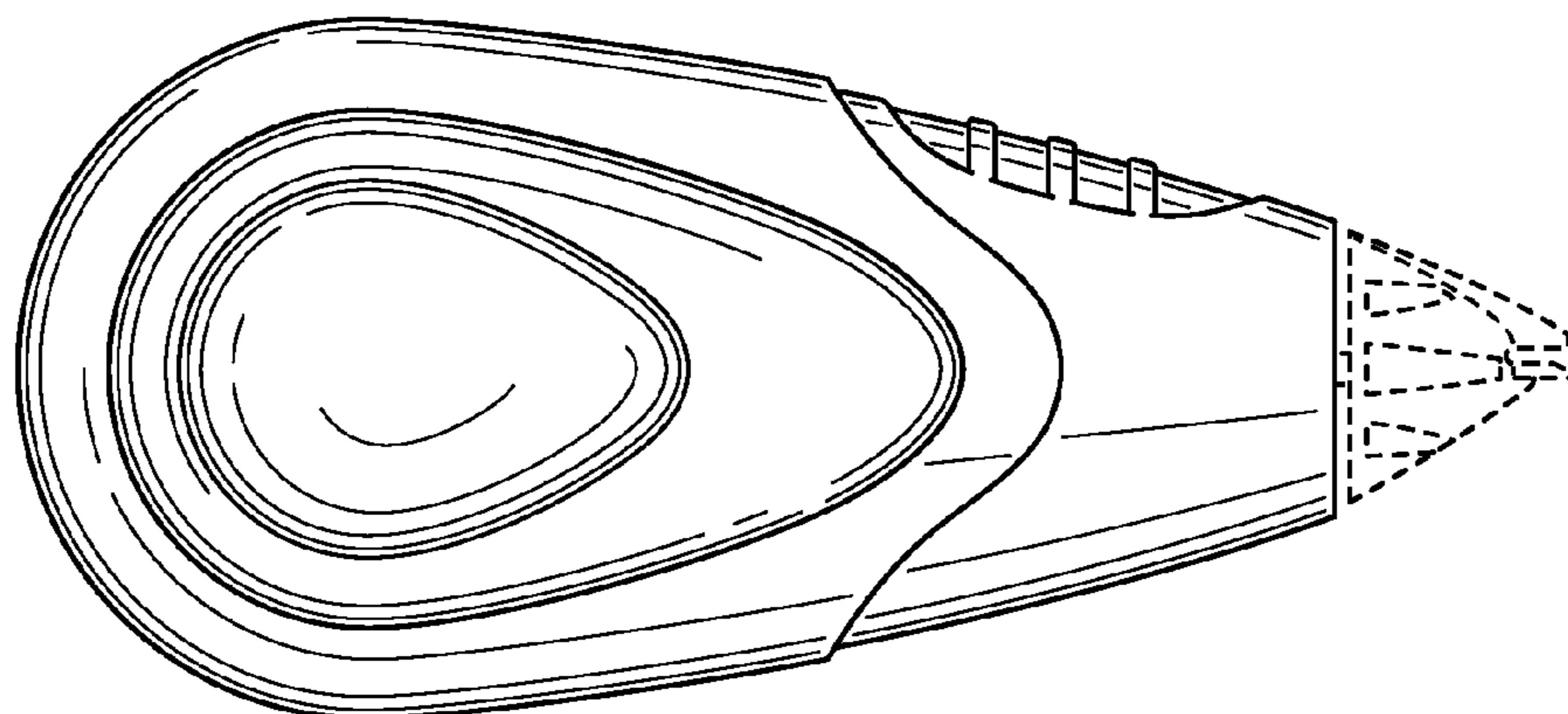


FIG. 10

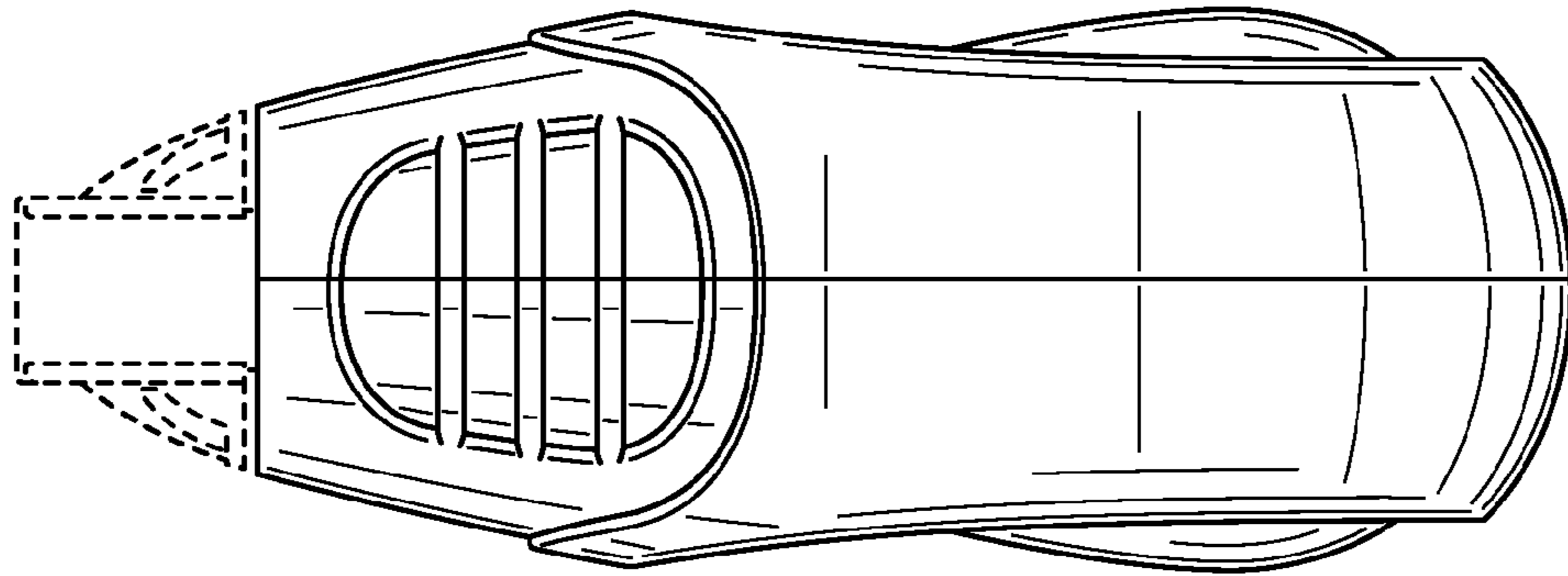


FIG. 11

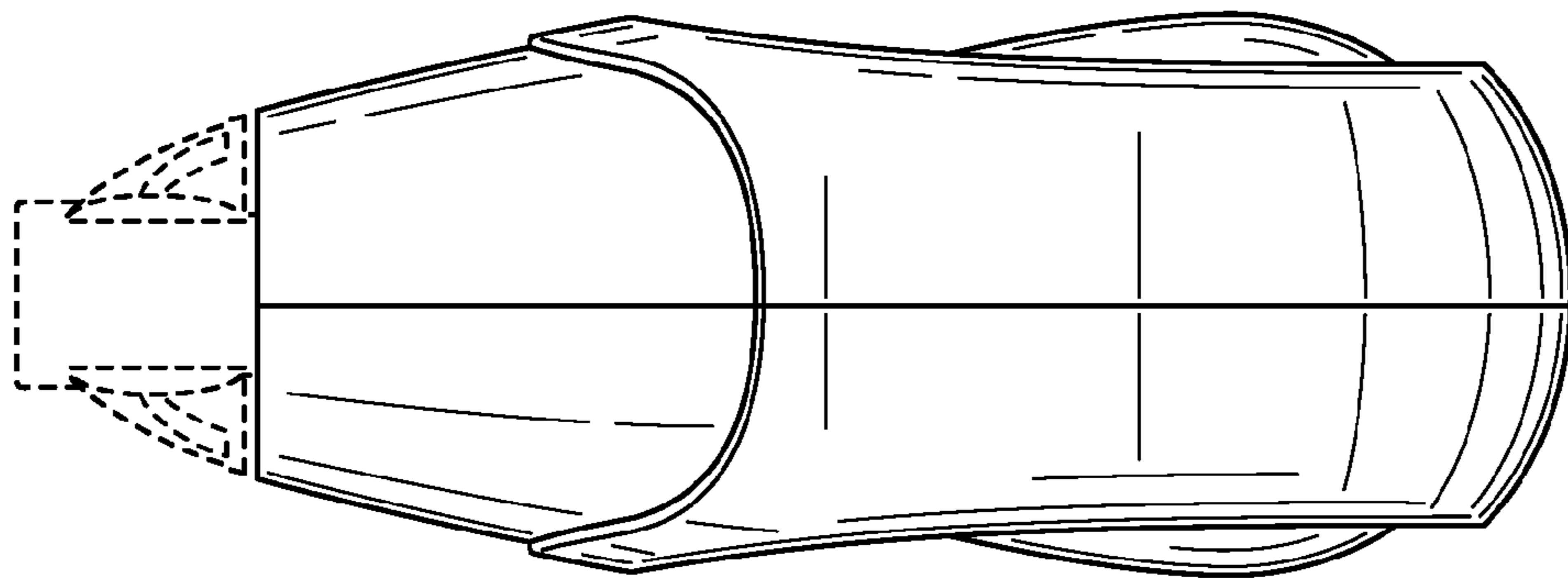


FIG. 12

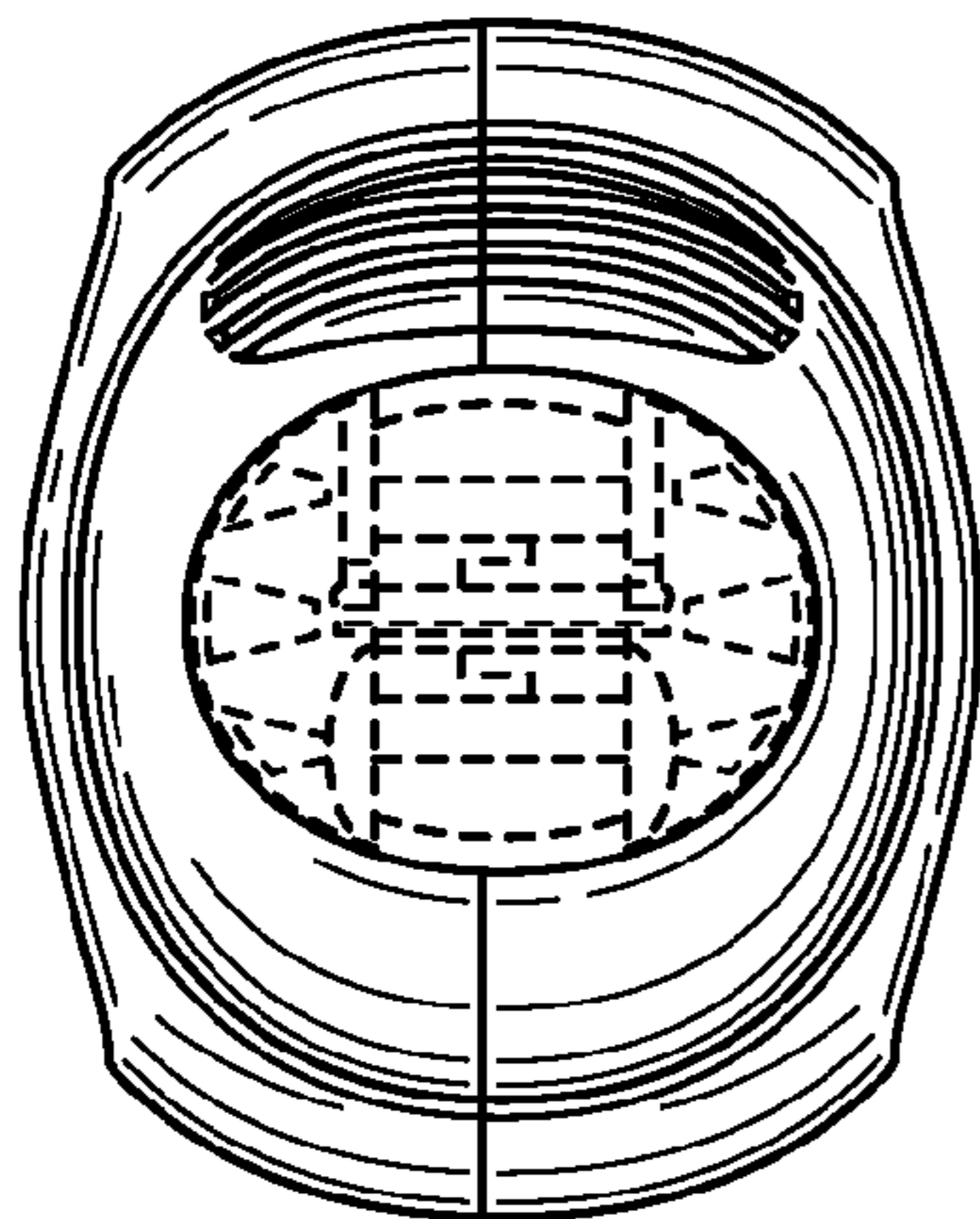


FIG. 13

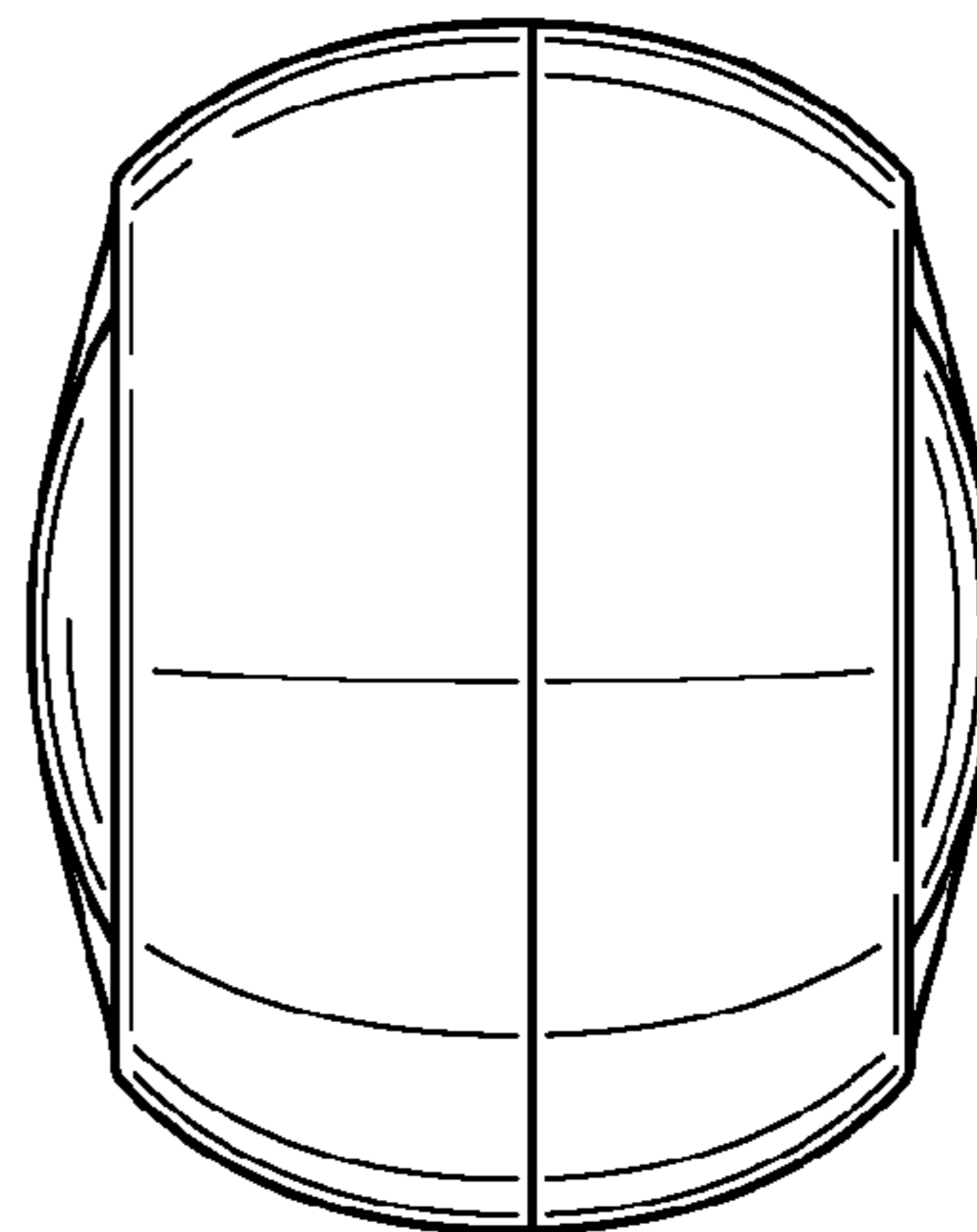


FIG. 14