



US00D562386S

(12) **United States Design Patent**
Stokes

(10) **Patent No.: US D562,386 S**

(45) **Date of Patent: ** Feb. 19, 2008**

(54) **OVAL SHAPED WRITING INSTRUMENT**

(75) **Inventor: Thomas Richard Stokes**, 8405 Glisan Ct., Williamsburg, VA (US) 23188

(73) **Assignee: Thomas Richard Stokes**, Williamsburg, VA (US)

(**) **Term: 14 Years**

(21) **Appl. No.: 29/249,799**

(22) **Filed: Oct. 23, 2006**

(51) **LOC (8) Cl. 19-06**

(52) **U.S. Cl. D19/44**

(58) **Field of Classification Search** D19/35, D19/36, 41, 42, 43, 44, 45, 46, 47, 48, 49, D19/50, 51, 54, 55, 56, 57; 24/11 R, 11 F, 24/11 P; 40/334; 401/52, 99, 100, 104, 401/105, 106, 107, 108, 109, 192, 195, 196
See application file for complete search history.

(56) **References Cited**

U.S. PATENT DOCUMENTS

D436,879 S *	1/2001	Deguchi et al.	D10/104
D443,370 S *	6/2001	Yu	D26/37
D462,090 S *	8/2002	Debbas	D19/47
D462,387 S *	9/2002	Debbas et al.	D19/43
D465,809 S *	11/2002	Deluca et al.	D19/50
D473,781 S *	4/2003	Kelleghan	D8/356
D477,025 S *	7/2003	Morrow	D19/51
D490,296 S *	5/2004	Shaljian	D8/356
D492,173 S *	6/2004	Huang	D8/48

D495,073 S *	8/2004	Kumthampinij et al.	D26/37
D495,362 S *	8/2004	Qiu	D19/43
D498,790 S *	11/2004	Shova et al.	D19/43
D502,497 S *	3/2005	Tien	D18/7
D505,977 S *	6/2005	Koreska	D19/53
D527,007 S *	8/2006	Morisawa	D14/411
7,097,377 B1 *	8/2006	Rigoni	401/195
D533,427 S *	12/2006	Barber et al.	D8/99
D541,858 S *	5/2007	Yeh	D19/44
D547,800 S *	7/2007	Gallay et al.	D19/41
2005/0144730 A1 *	7/2005	Barber et al.	7/138

* cited by examiner

Primary Examiner—Elizabeth A. Albert
Assistant Examiner—Karen E Eldridge Powers

(57) **CLAIM**

The ornamental design for an oval shaped writing instrument, as shown and described.

DESCRIPTION

FIG. 1 is a top plan view of a new design for an oval shaped writing instrument, the bottom plan view being a mirror image thereof;

FIG. 2 is a left side elevation view of FIG. 1

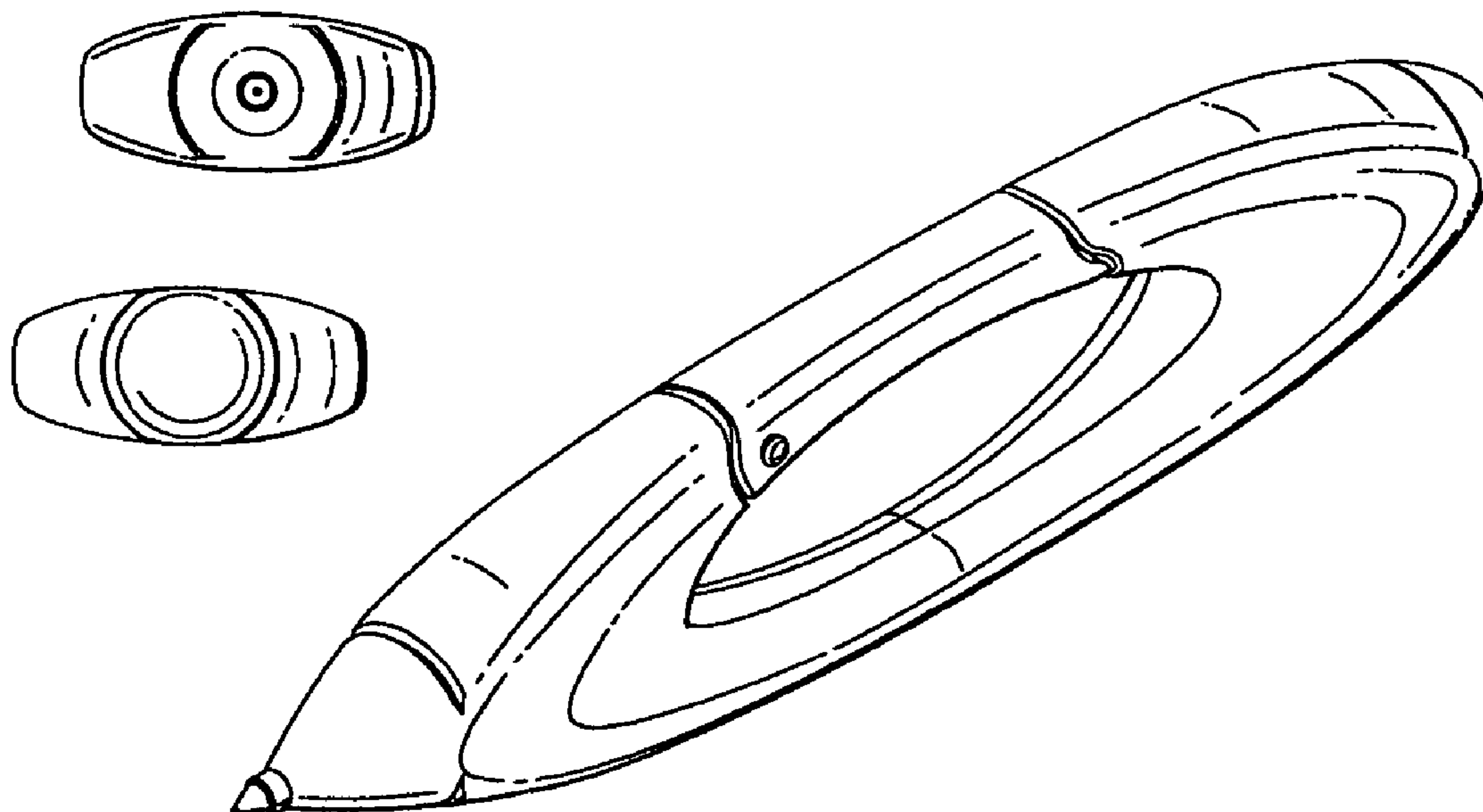
FIG. 3 is a right side elevation view of FIG. 1

FIG. 4 is a front side elevation view of FIG. 1

FIG. 5 is a rear side elevation view of FIG. 1; and,

FIG. 6 is a top perspective view of FIG. 1.

1 Claim, 1 Drawing Sheet



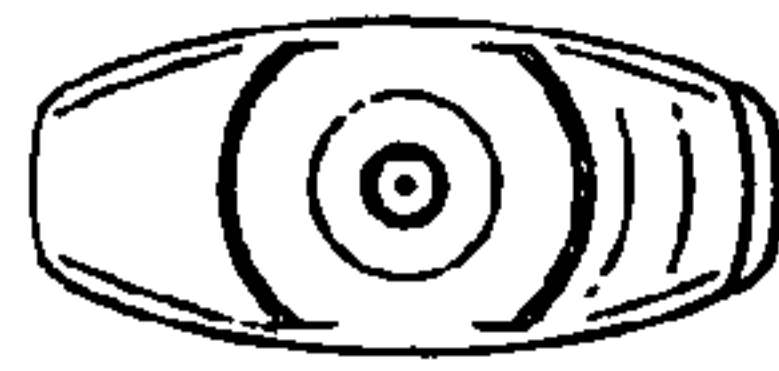


FIG. 4



FIG. 2

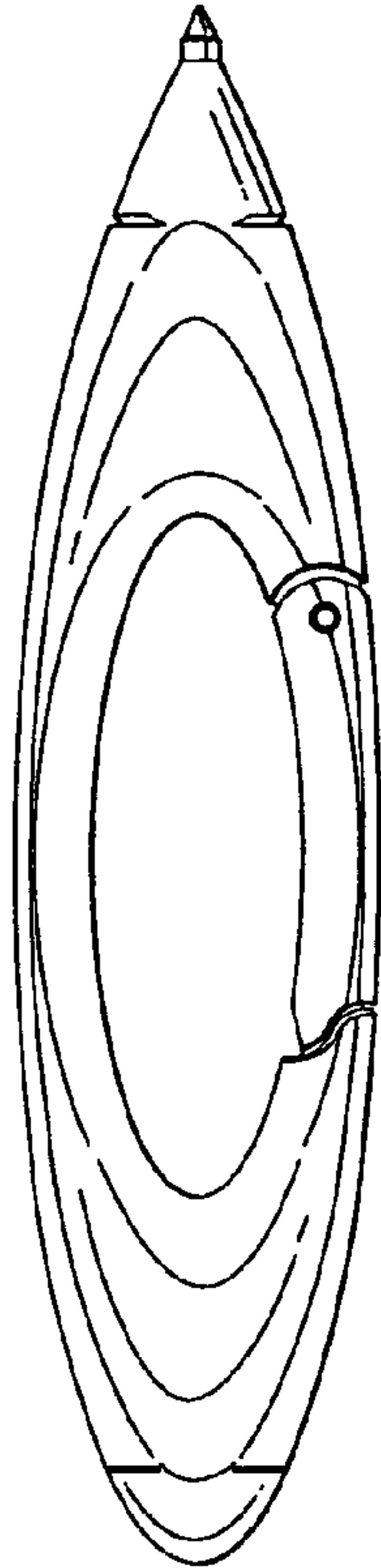


FIG. 1



FIG. 3

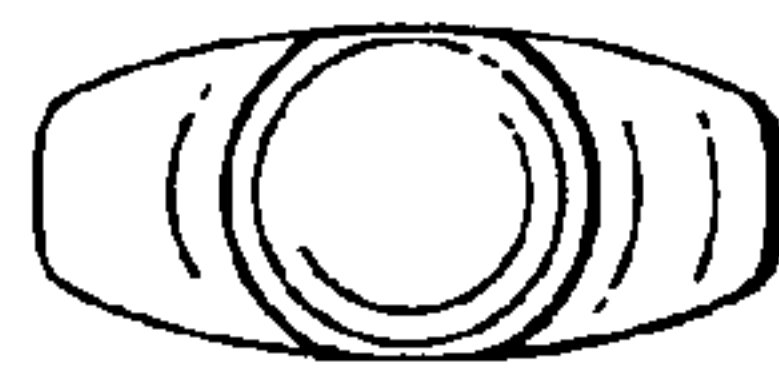


FIG. 5

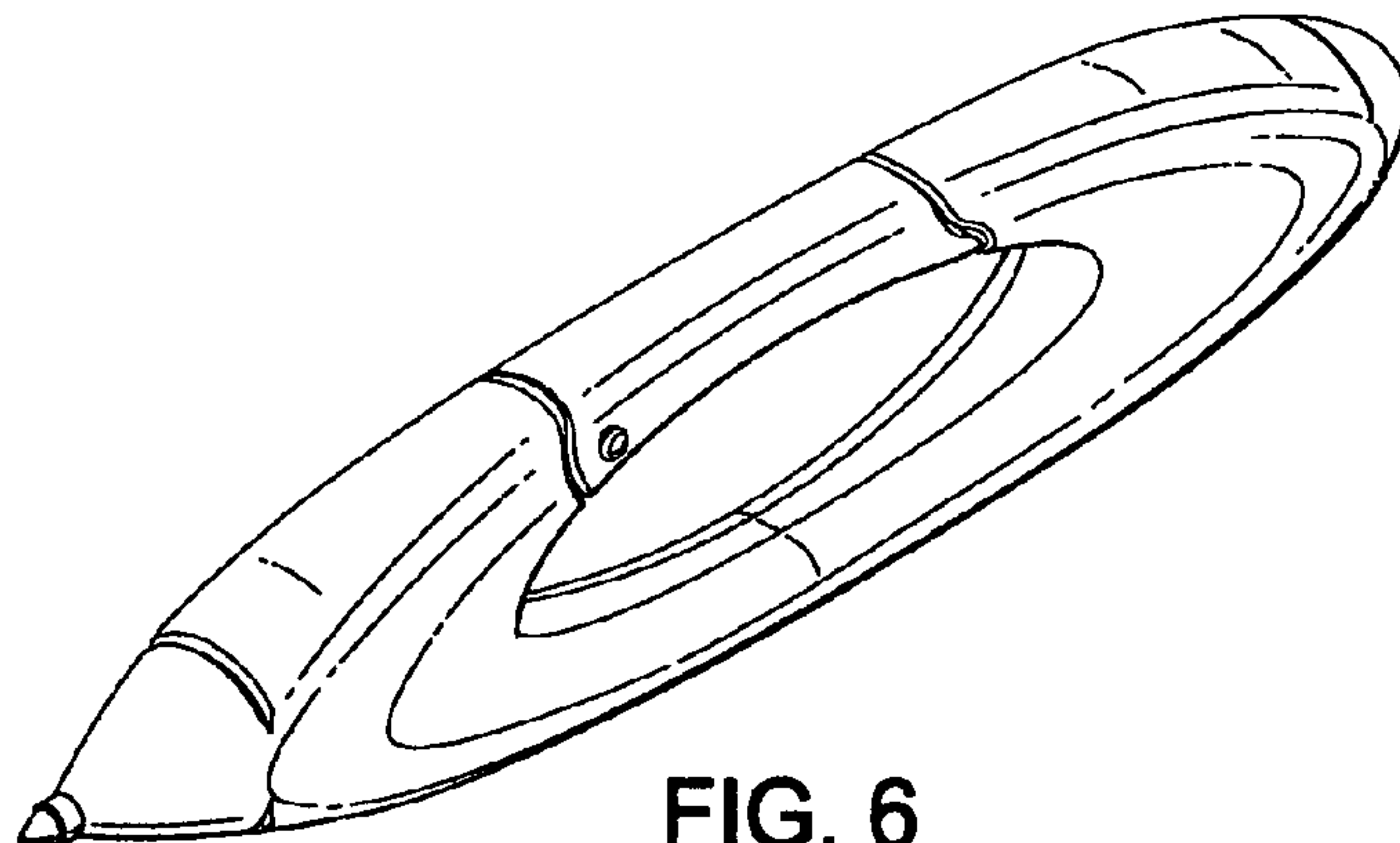


FIG. 6