

US00D562380S

(12) **United States Design Patent**
Kato et al.

(10) **Patent No.:** **US D562,380 S**

(45) **Date of Patent:** **** Feb. 19, 2008**

(54) **PRINTER**

(75) Inventors: **Hideki Kato**, Matsumoto (JP);
Yoshihiro Tatara, Matsumoto (JP);
Masahiko Kobayashi, Chino (JP)

(73) Assignee: **Seiko Epson Corporation** (JP)

(**) Term: **14 Years**

(21) Appl. No.: **29/271,508**

(22) Filed: **Jan. 19, 2007**

(30) **Foreign Application Priority Data**

Sep. 25, 2006 (JP) 2006-025564

(51) **LOC (8) Cl.** **14-02**

(52) **U.S. Cl.** **D18/50**

(58) **Field of Classification Search** D18/36-39,
D18/50, 54, 54.1, 55; D14/420-425, 462-470.69;
400/613, 613.1-613.4, 690.1-690.4, 691-694
See application file for complete search history.

(56) **References Cited**

U.S. PATENT DOCUMENTS

D491,980 S * 6/2004 Miyauchi et al. D18/50
D502,733 S * 3/2005 Miyauchi et al. D18/50

D516,622 S * 3/2006 Suzuki et al. D18/55
D527,414 S * 8/2006 Miyauchi et al. D18/50
D536,732 S * 2/2007 Yamano et al. D18/55
D539,337 S * 3/2007 Kato et al. D18/50
D546,875 S * 7/2007 Suzuki et al. D18/50
D547,369 S * 7/2007 Senda et al. D18/50

* cited by examiner

Primary Examiner—Cathy Anne MacCormac
(74) *Attorney, Agent, or Firm*—Harness, Dickey & Pierce,
P.L.C.

(57) **CLAIM**

The ornamental design for a printer, as shown and described.

DESCRIPTION

FIG. 1 is a perspective view of a printer, as viewed from the front, top and right side, embodying our new design;.

FIG. 2 is a front view thereof;

FIG. 3 is a rear view thereof;

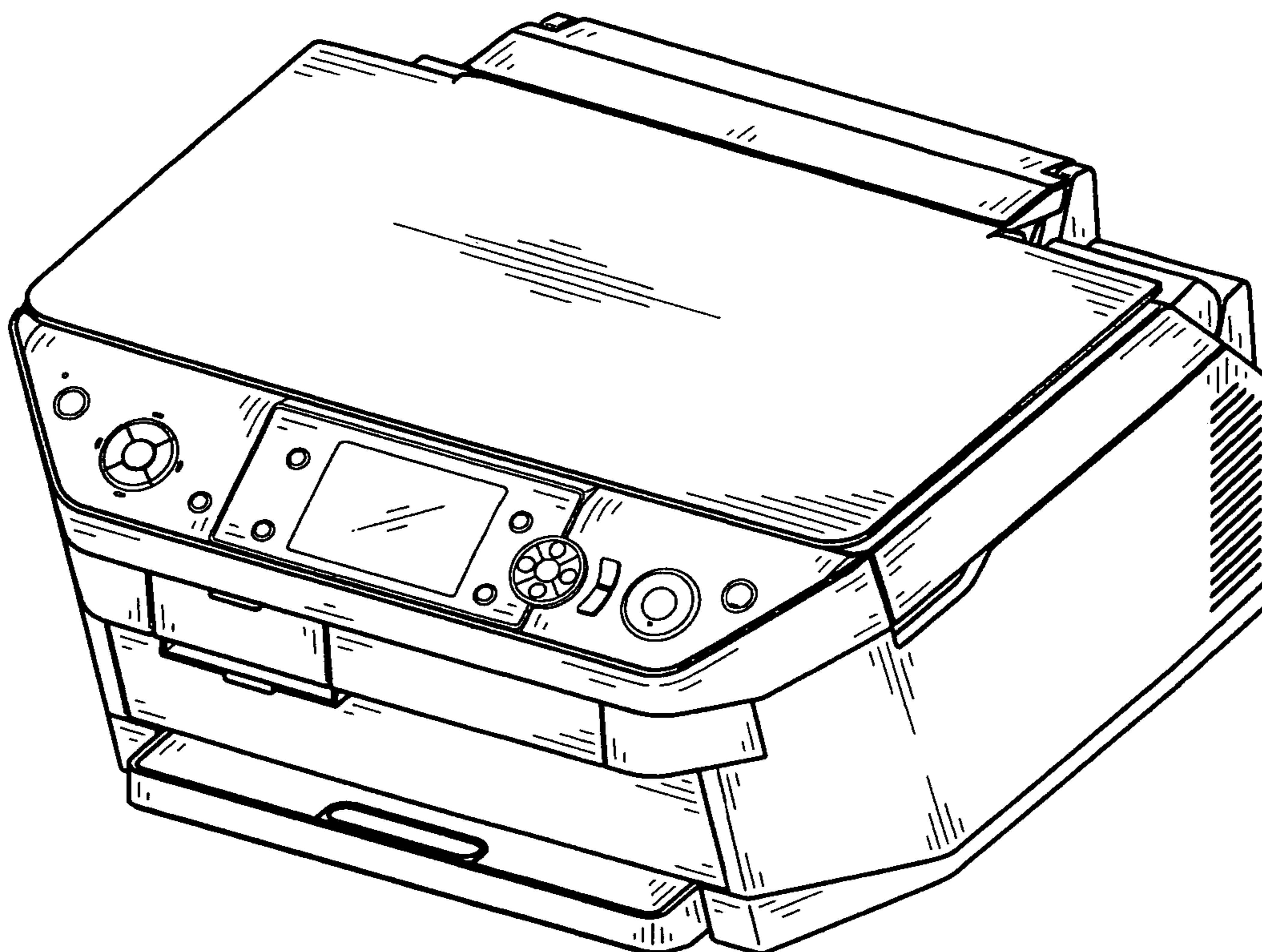
FIG. 4 is a left side view thereof;

FIG. 5 is a right side view thereof;

FIG. 6 is a top view thereof; and,

FIG. 7 is a bottom view thereof.

1 Claim, 4 Drawing Sheets



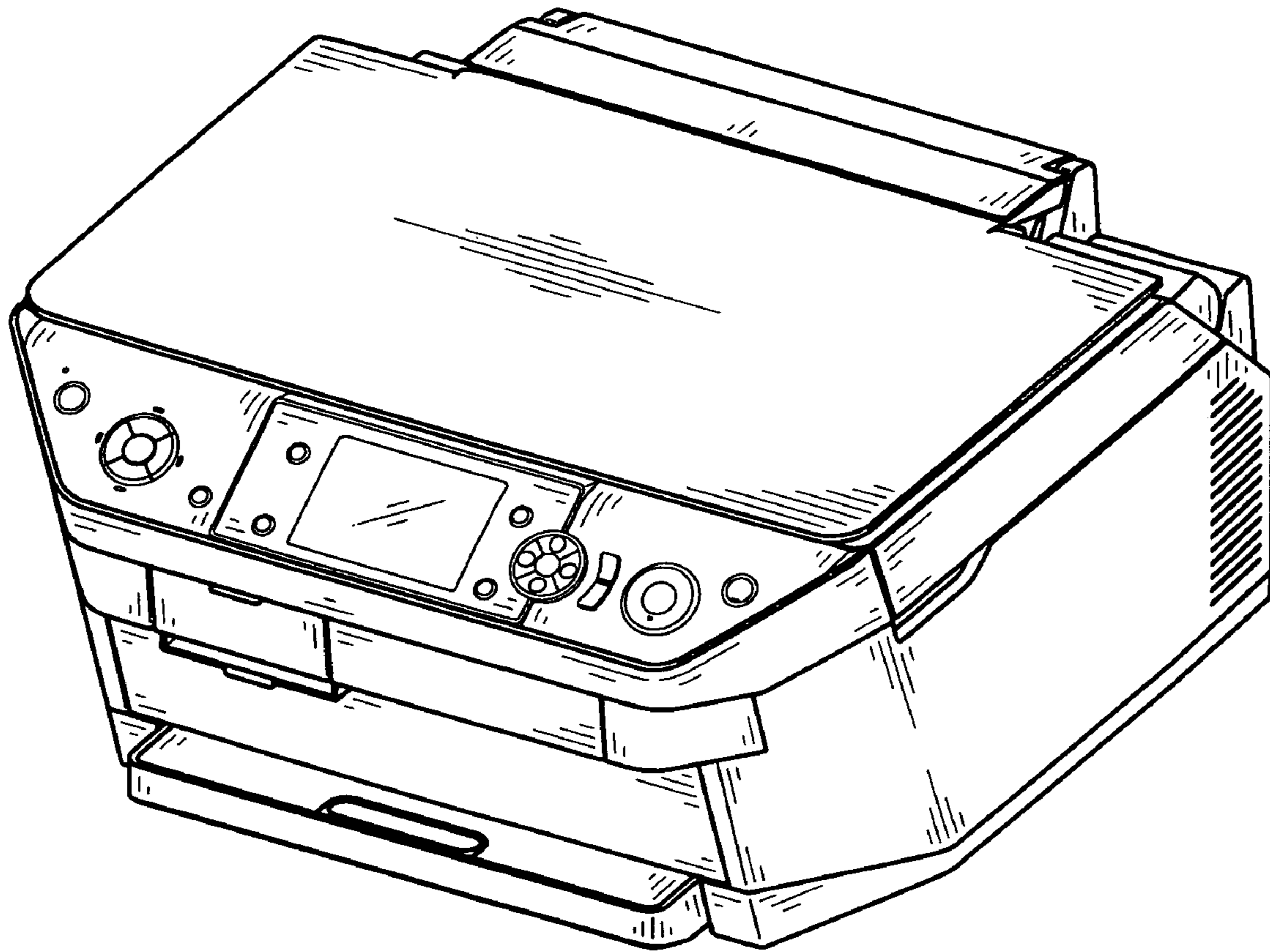


FIG. 1

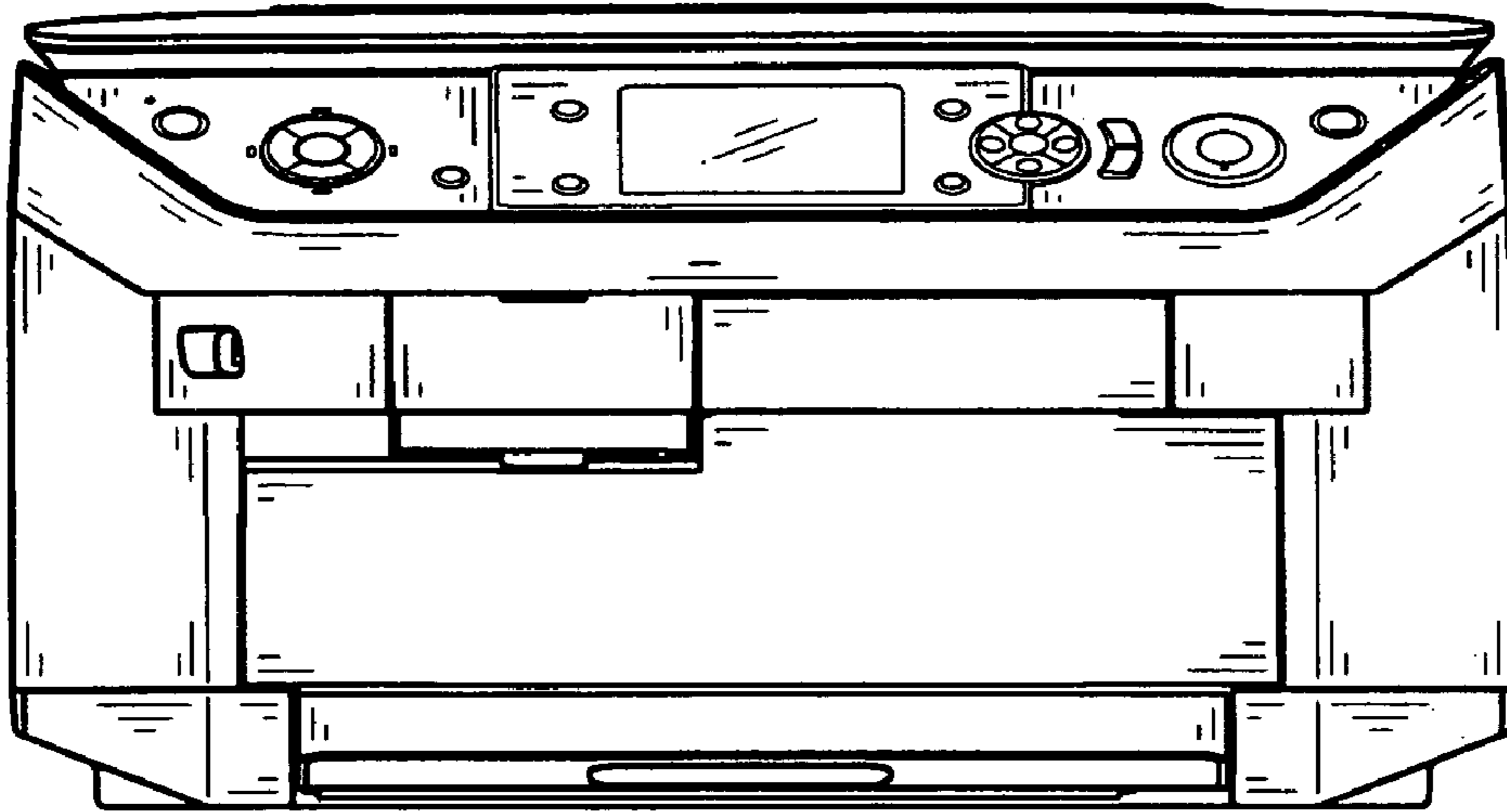


FIG. 2

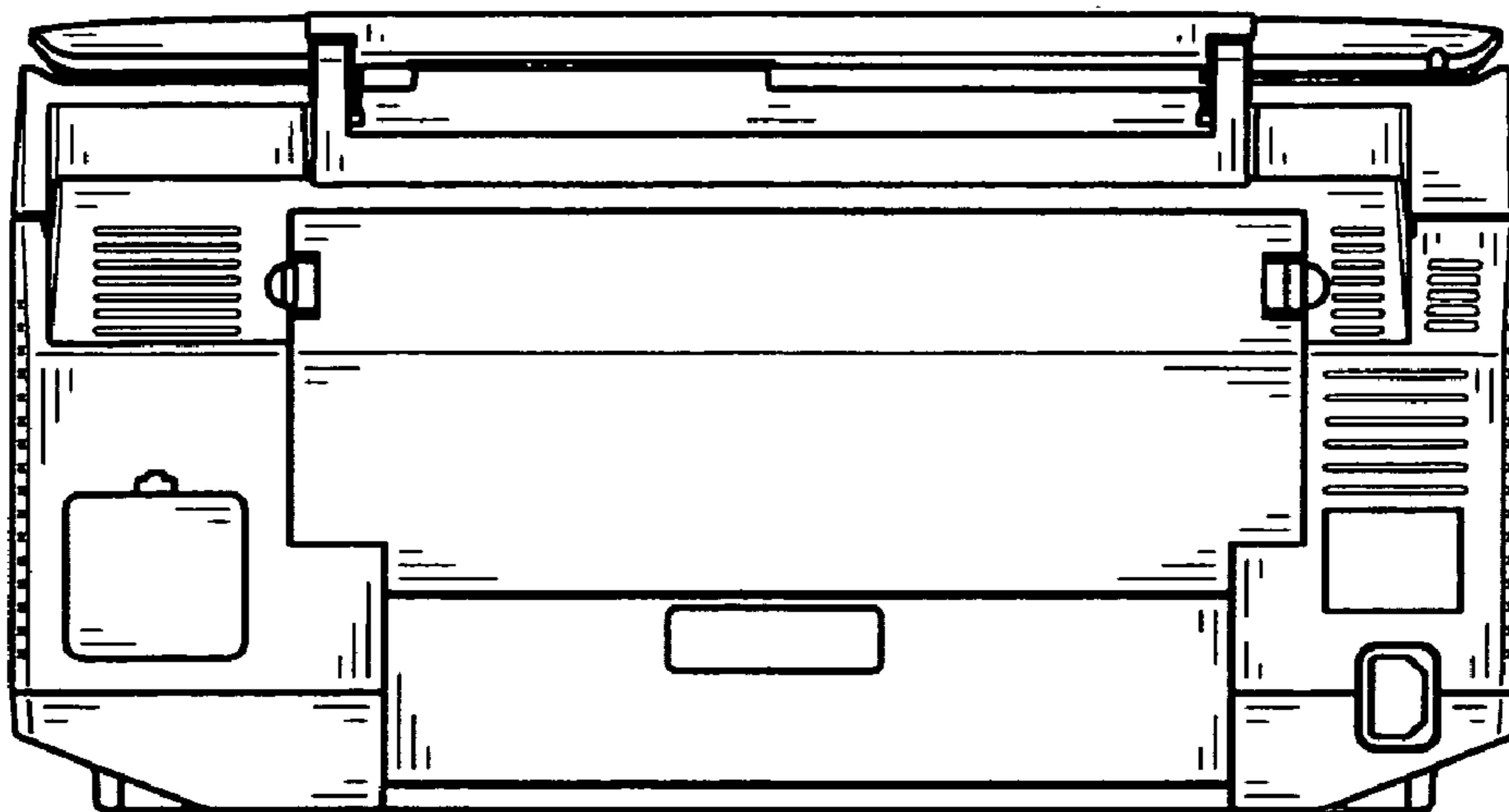


FIG. 3

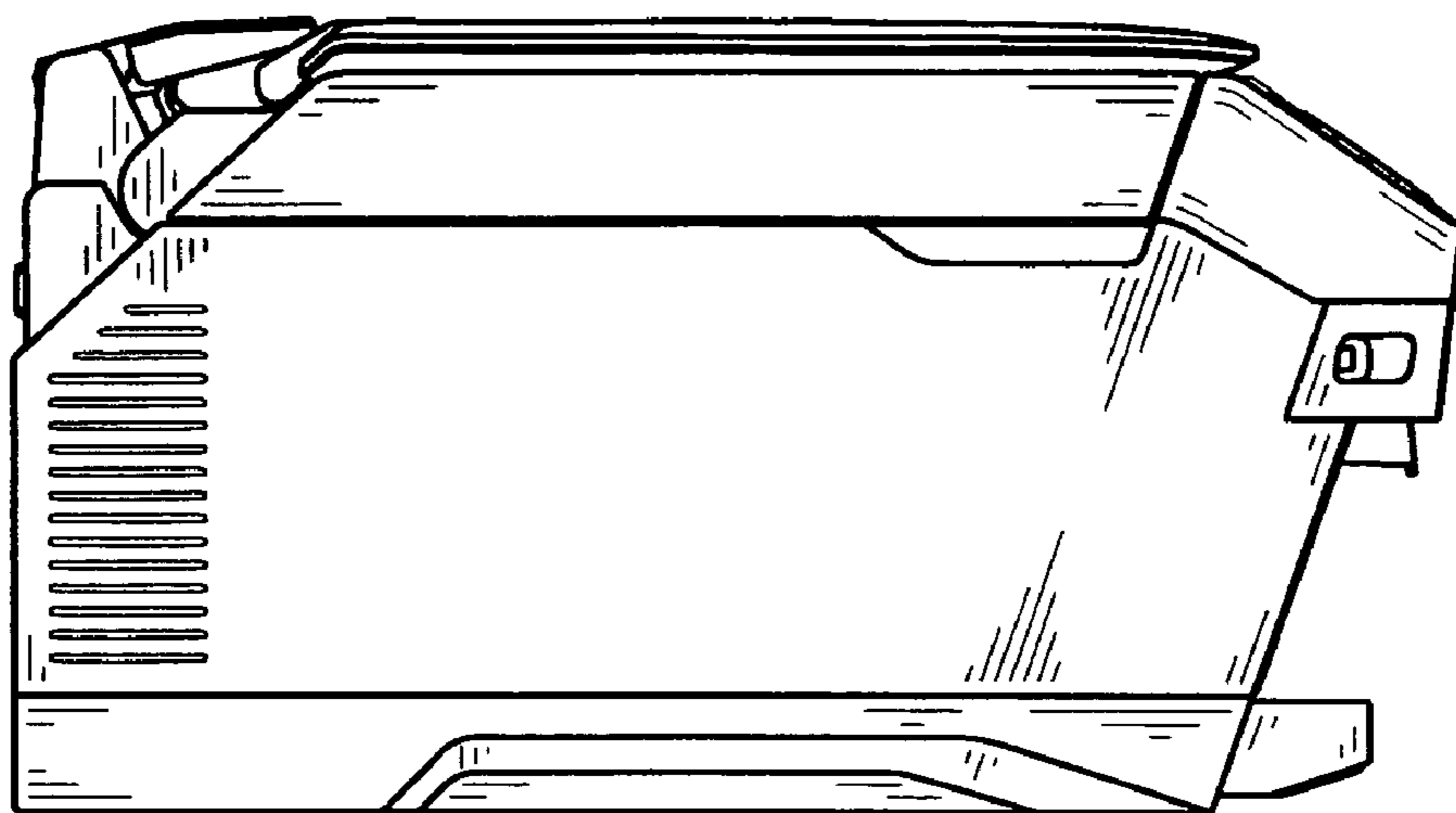


FIG. 4

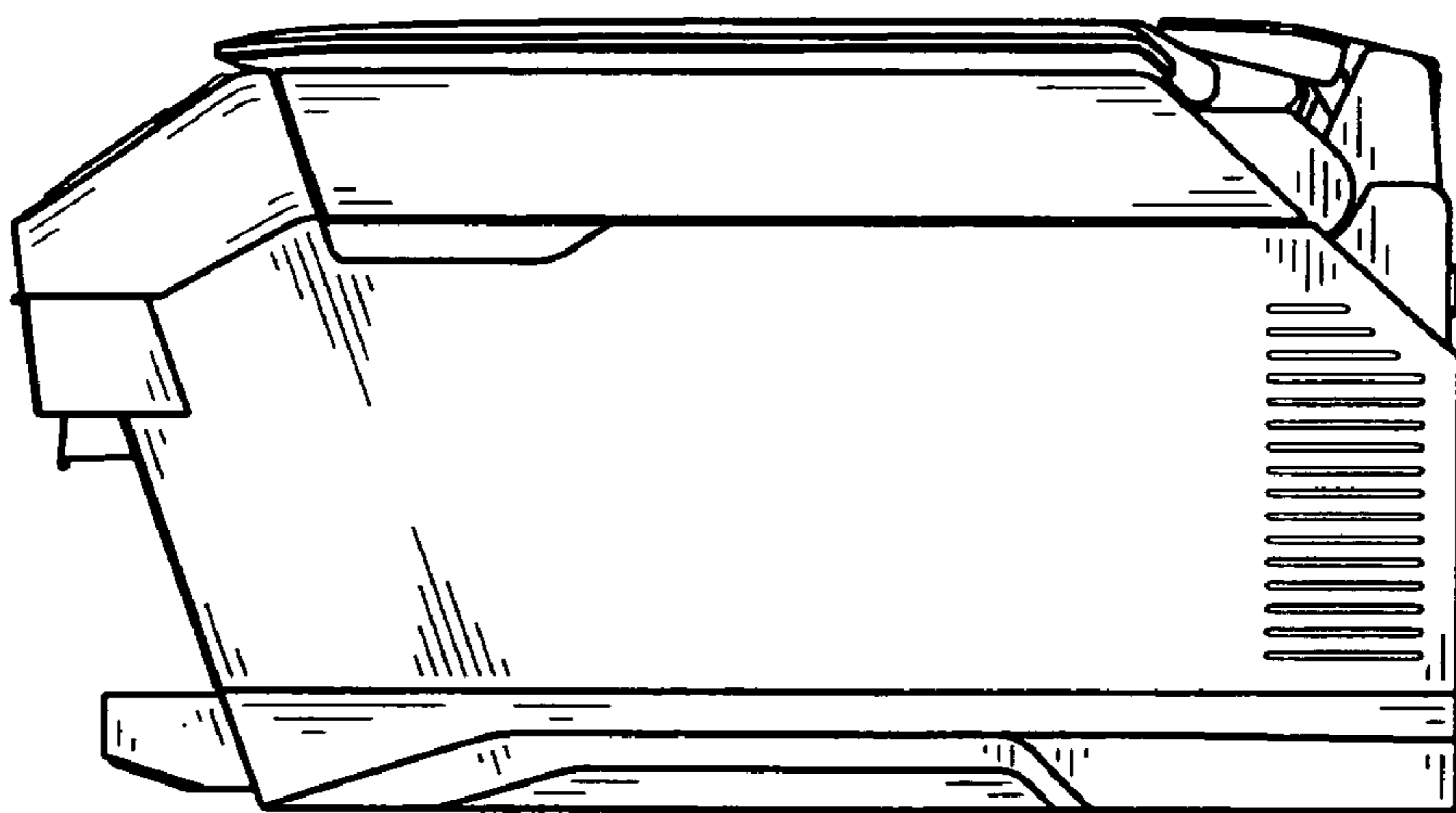


FIG. 5

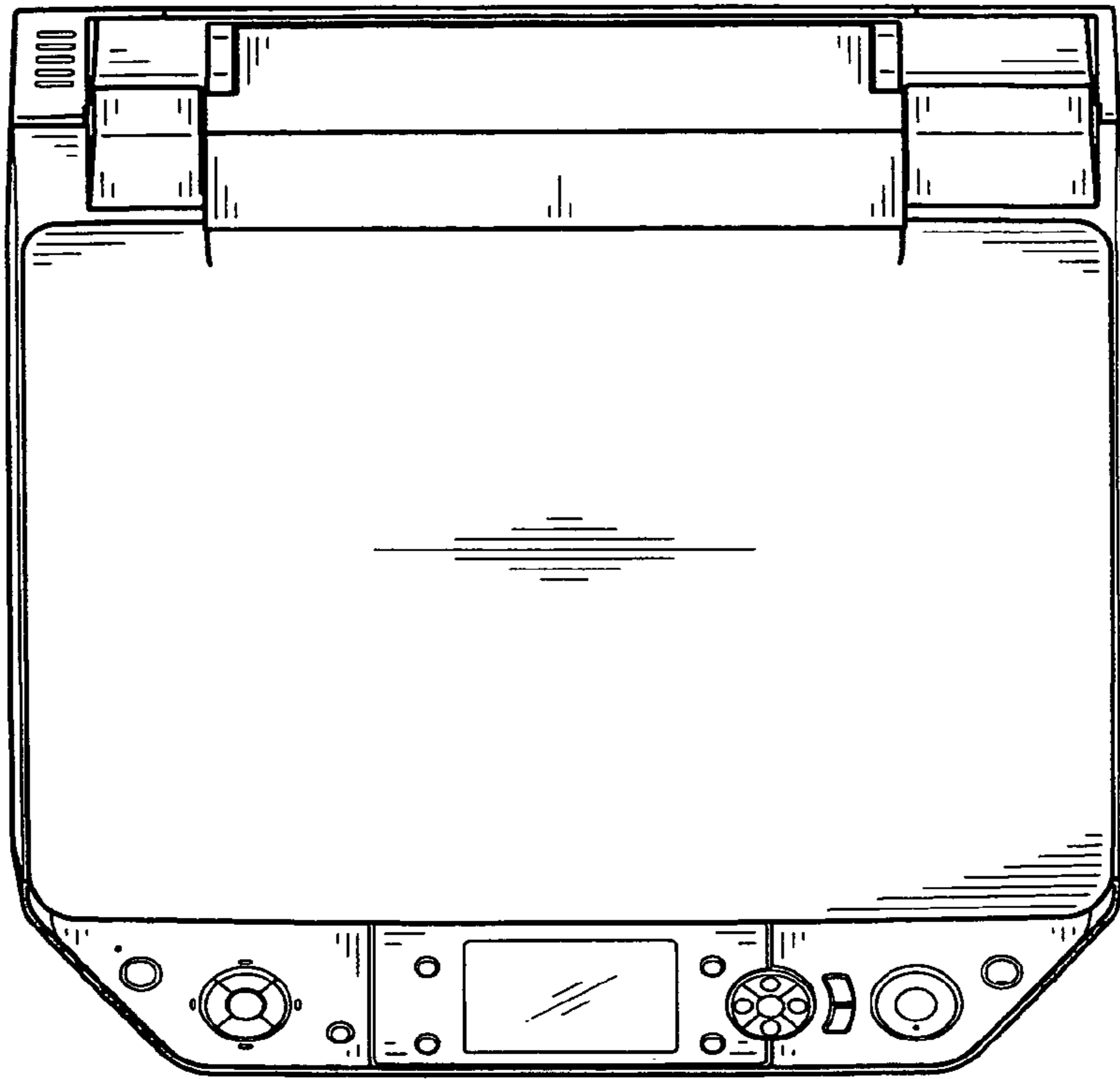


FIG. 6

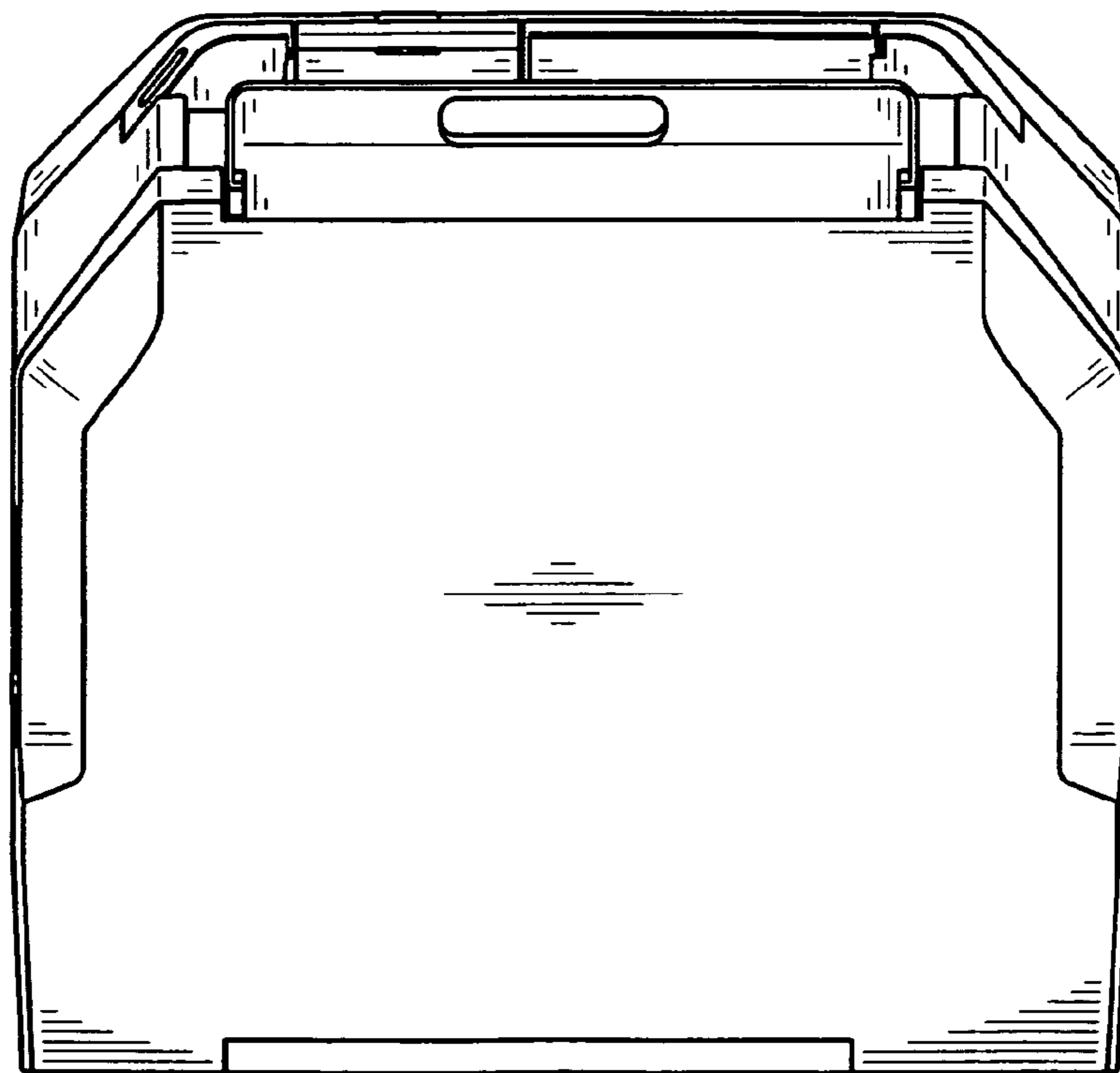


FIG. 7