

US00D562378S

(12) **United States Design Patent**
Kim et al.

(10) **Patent No.:** **US D562,378 S**

(45) **Date of Patent:** **** Feb. 19, 2008**

(54) **PHOTO PRINTER**

(75) Inventors: **Hee-Yul Kim**, Seoul (KR); **Jun-Won Bae**, Seoul (KR); **Son-Young Lee**, Seoul (KR); **Bong-Uk Lim**, Seoul (KR)

(73) Assignee: **Samsung Electronics Co., Ltd.**, Kyunggi-do (KR)

(**) Term: **14 Years**

(21) Appl. No.: **29/256,398**

(22) Filed: **Mar. 20, 2006**

(51) **LOC (8) Cl.** **18-02**

(52) **U.S. Cl.** **D18/50**

(58) **Field of Classification Search** D18/36-39, D18/50-54, 54.1, 55; D14/420-425, 462-470; D16/237, 246-248; 399/107; 400/613, 400/613.1-613.4, 690.1-690.4, 691-694
See application file for complete search history.

(56) **References Cited**

U.S. PATENT DOCUMENTS

D197,096 S	*	12/1963	Gugelot et al.	D18/36
D266,849 S	*	11/1982	Meister et al.	D18/54
D281,247 S	*	11/1985	Lahey et al.	D18/55
D289,167 S	*	4/1987	Otsuka	D18/54
5,028,935 A	*	7/1991	Warmack et al.	D18/55
D343,409 S	*	1/1994	Kobayashi	D18/50
D352,056 S	*	11/1994	Kawashima et al.	D18/50
D405,107 S	*	2/1999	Yokokawa	D18/50
D413,351 S	*	8/1999	Escobedo et al.	D18/50
6,132,122 A	*	10/2000	Robinson et al.	400/691

D516,620 S	*	3/2006	Wong	D18/55
D518,094 S	*	3/2006	Nakayama et al.	D18/55
D532,448 S		11/2006	Lim et al.		
D533,585 S		12/2006	Park et al.		
D535,324 S		1/2007	Park et al.		

OTHER PUBLICATIONS

U.S. Appl. No. 29/256,403, Applicant: Son-Young Lee, et al., filed Mar. 20, 2006 entitled Photo Printer, pending.

* cited by examiner

Primary Examiner—Cathy Anne MacCormac

(74) *Attorney, Agent, or Firm*—Flynn, Thiel, Boutell & Tanis, P.C.

(57) **CLAIM**

The ornamental design for a photo printer, as shown and described.

DESCRIPTION

FIG. 1 is a top front perspective view of a photo printer showing our new design;

FIG. 2 is a front elevational view thereof;

FIG. 3 is a rear elevational view thereof;

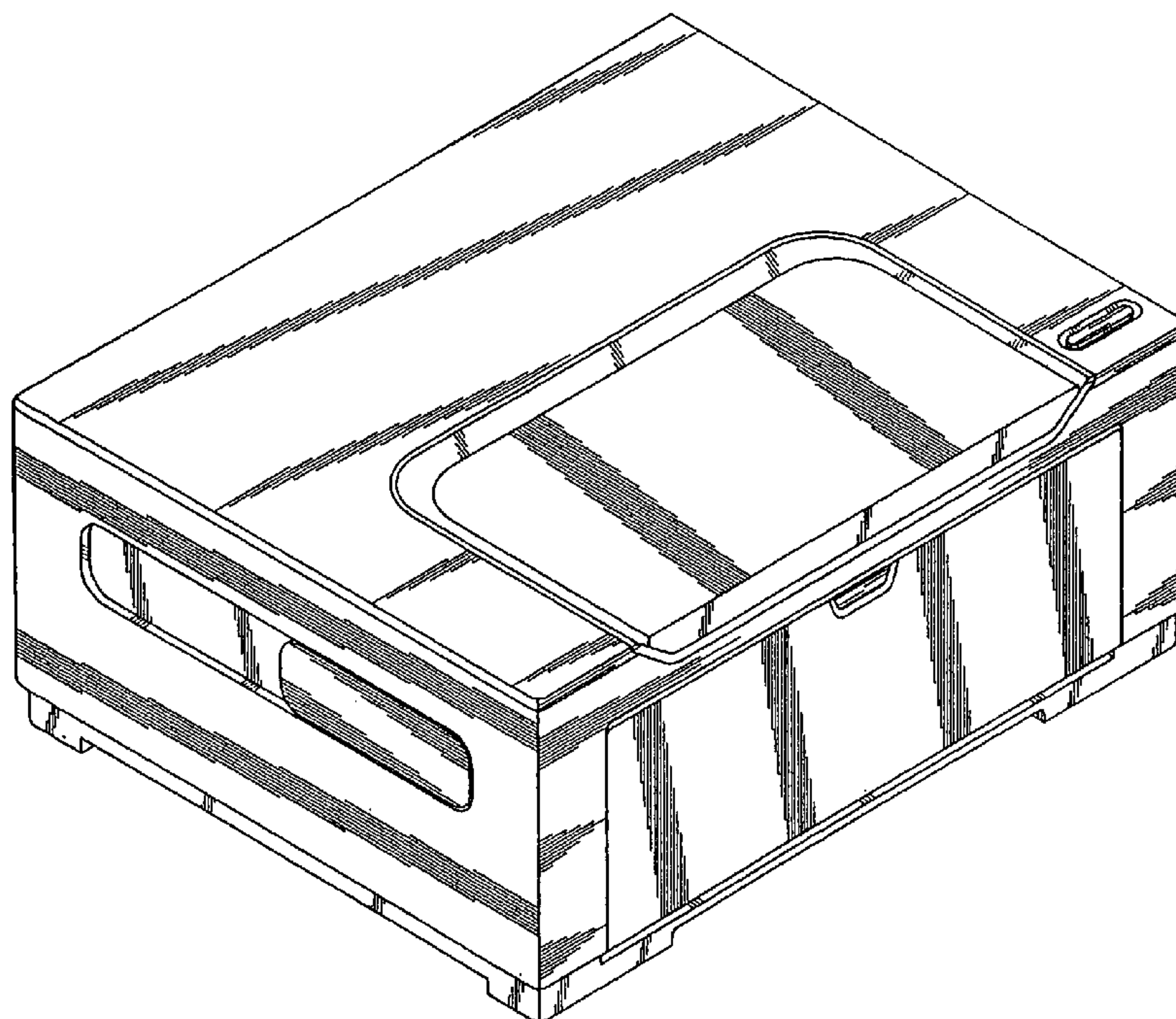
FIG. 4 is a left side elevational view thereof;

FIG. 5 is a right side elevational view thereof;

FIG. 6 is a top plan view thereof; and,

FIG. 7 is a bottom plan view thereof showing the rear of the photo printer at the bottom of the drawing page.

1 Claim, 4 Drawing Sheets



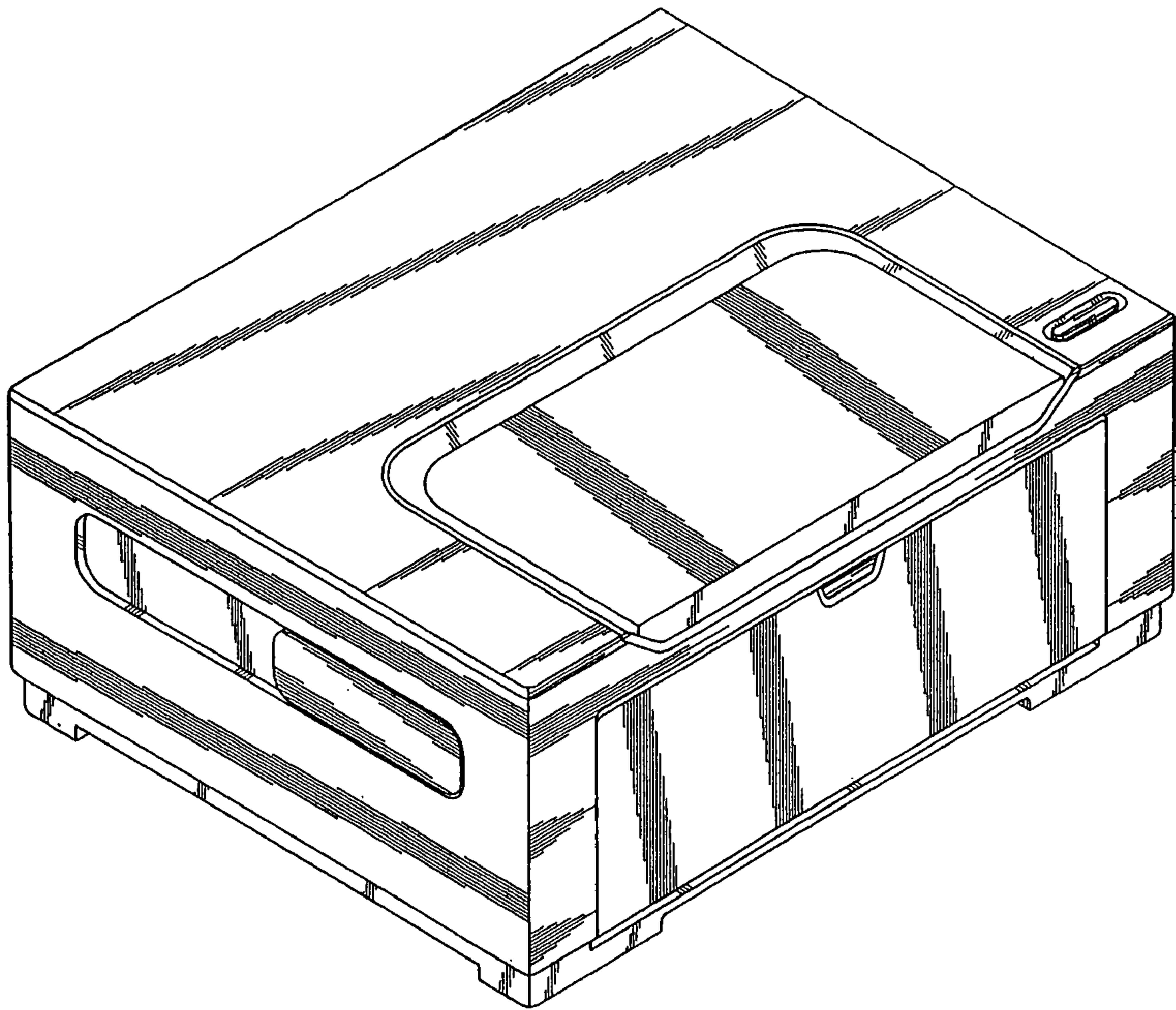


FIG. 1

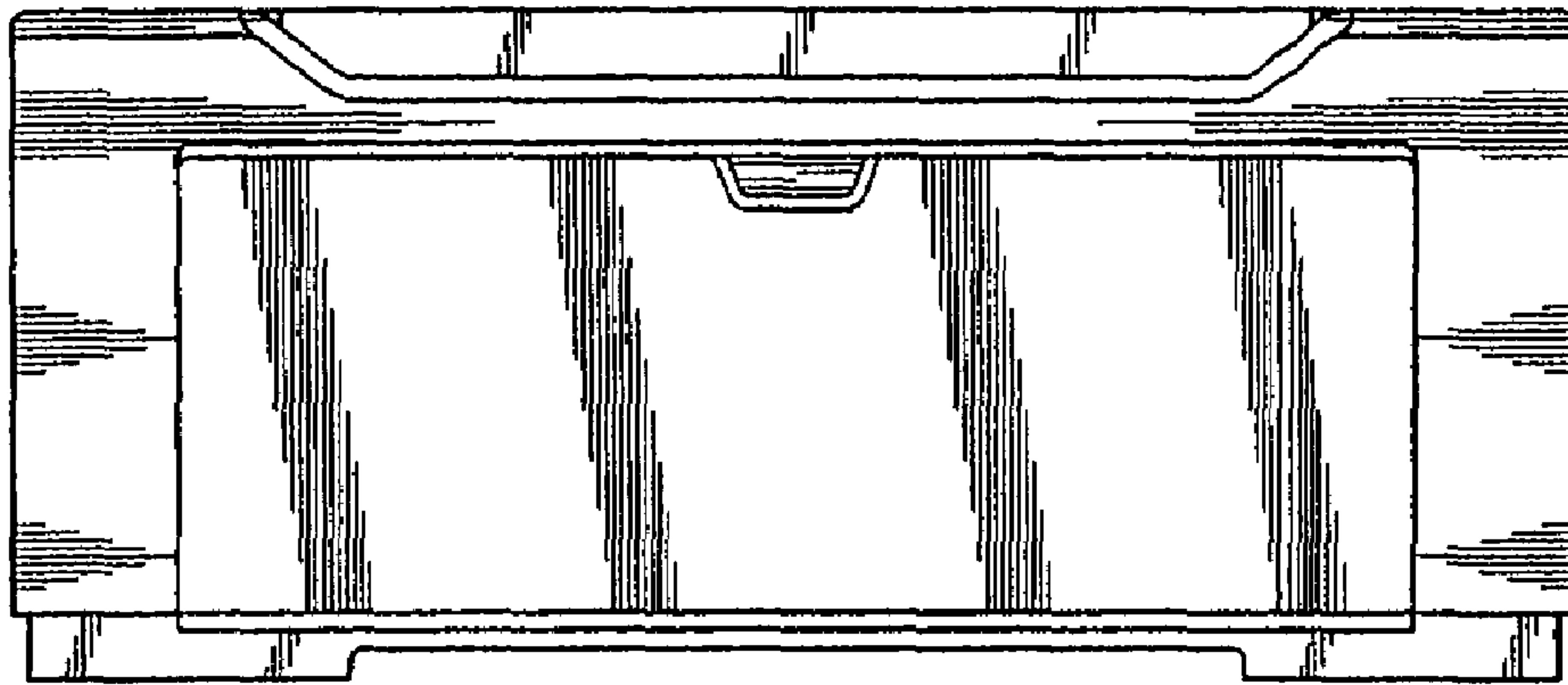


FIG. 2

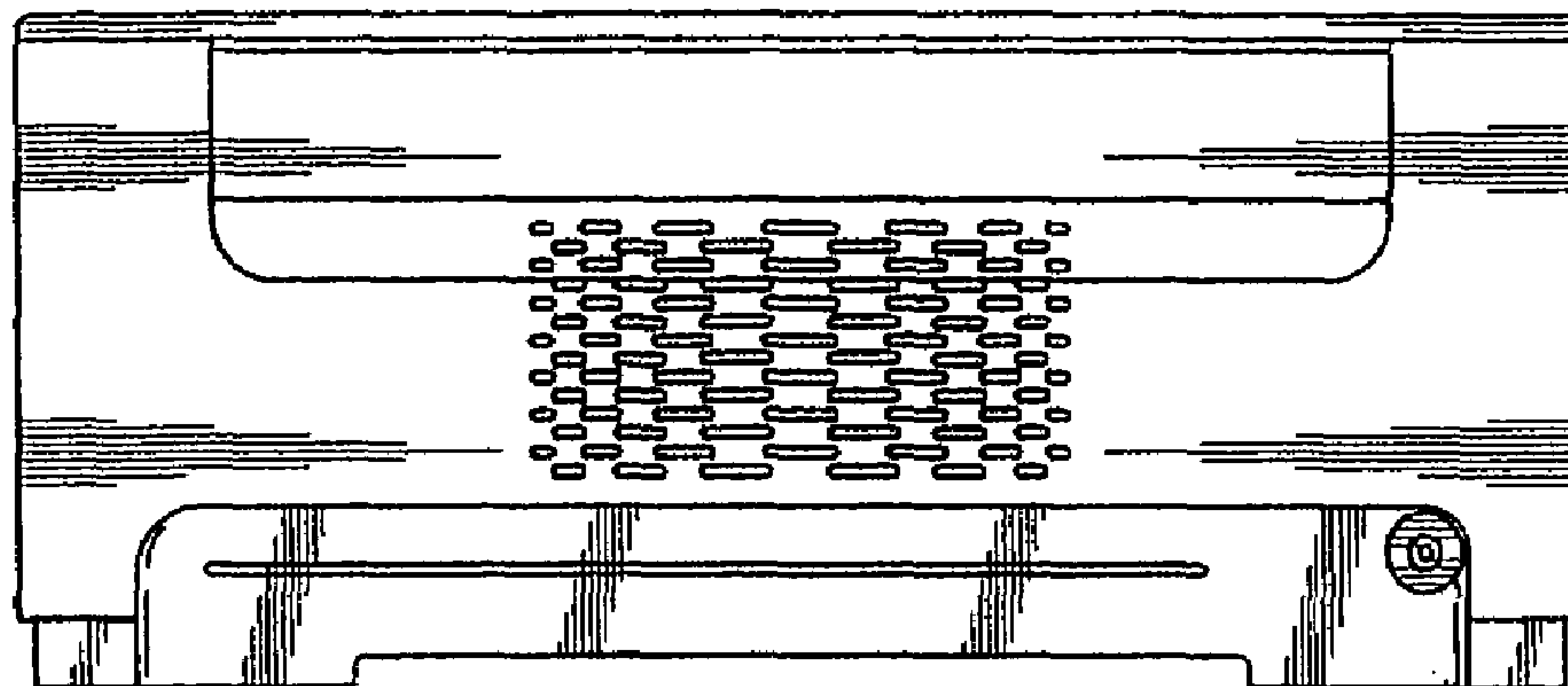


FIG. 3

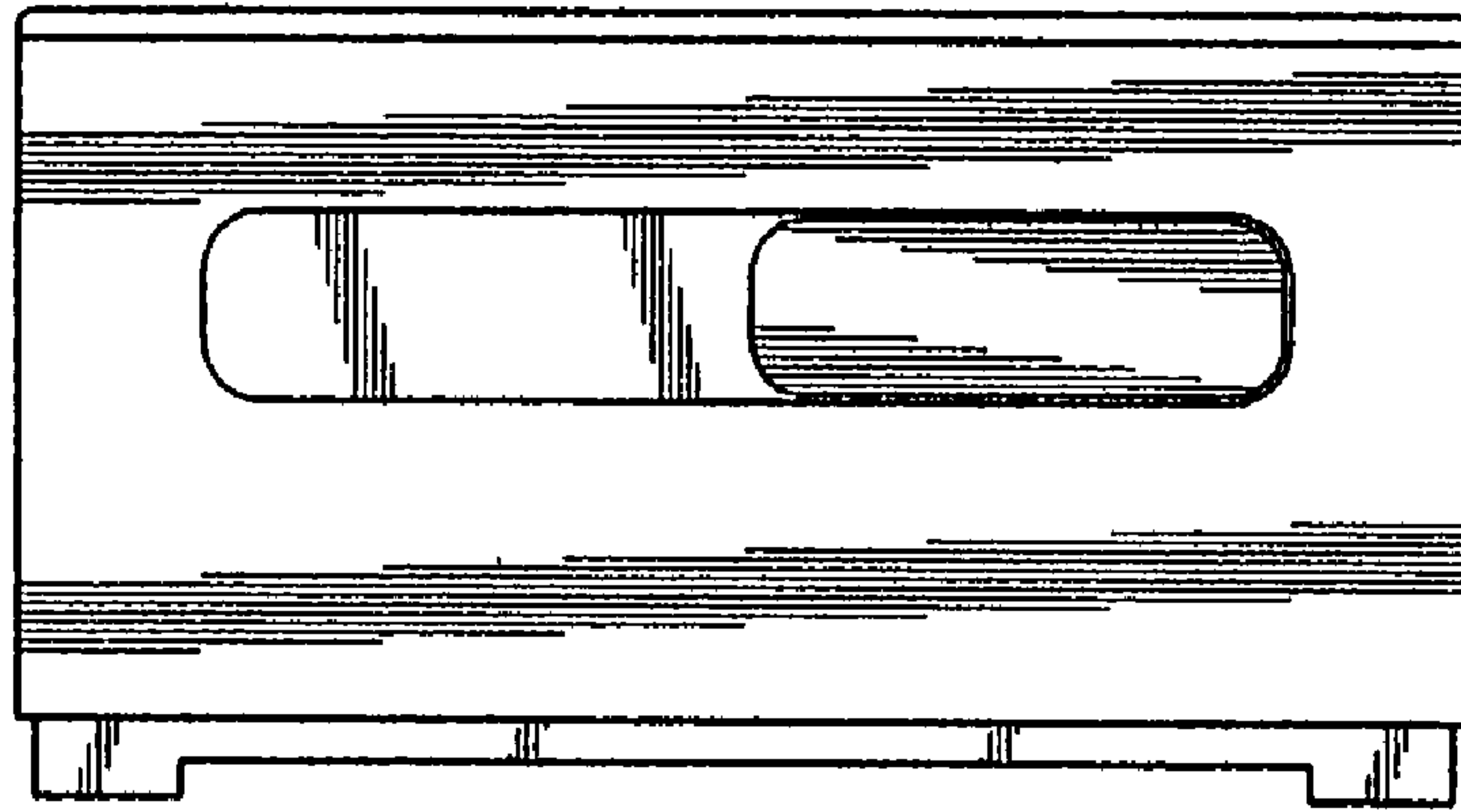


FIG. 4

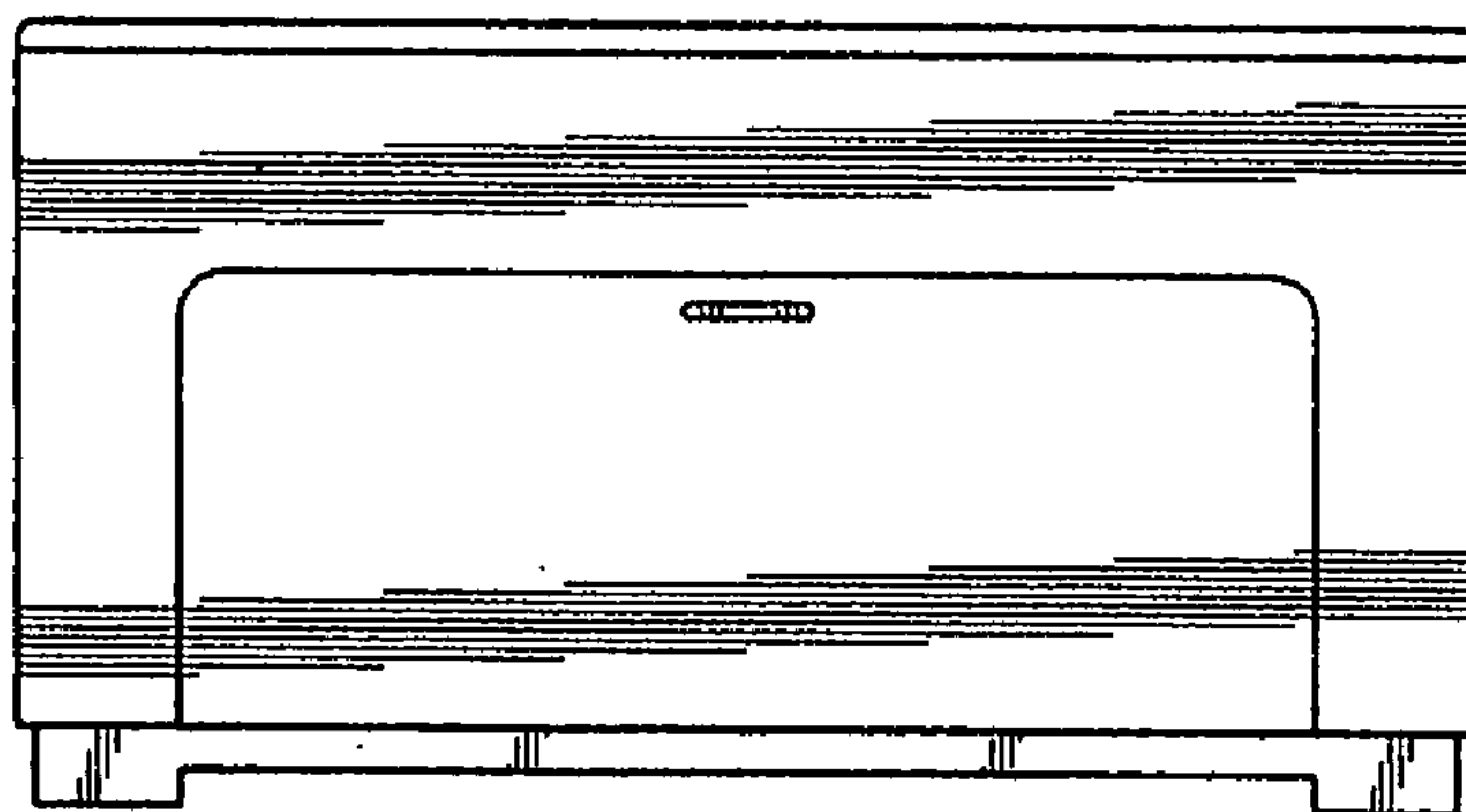


FIG. 5

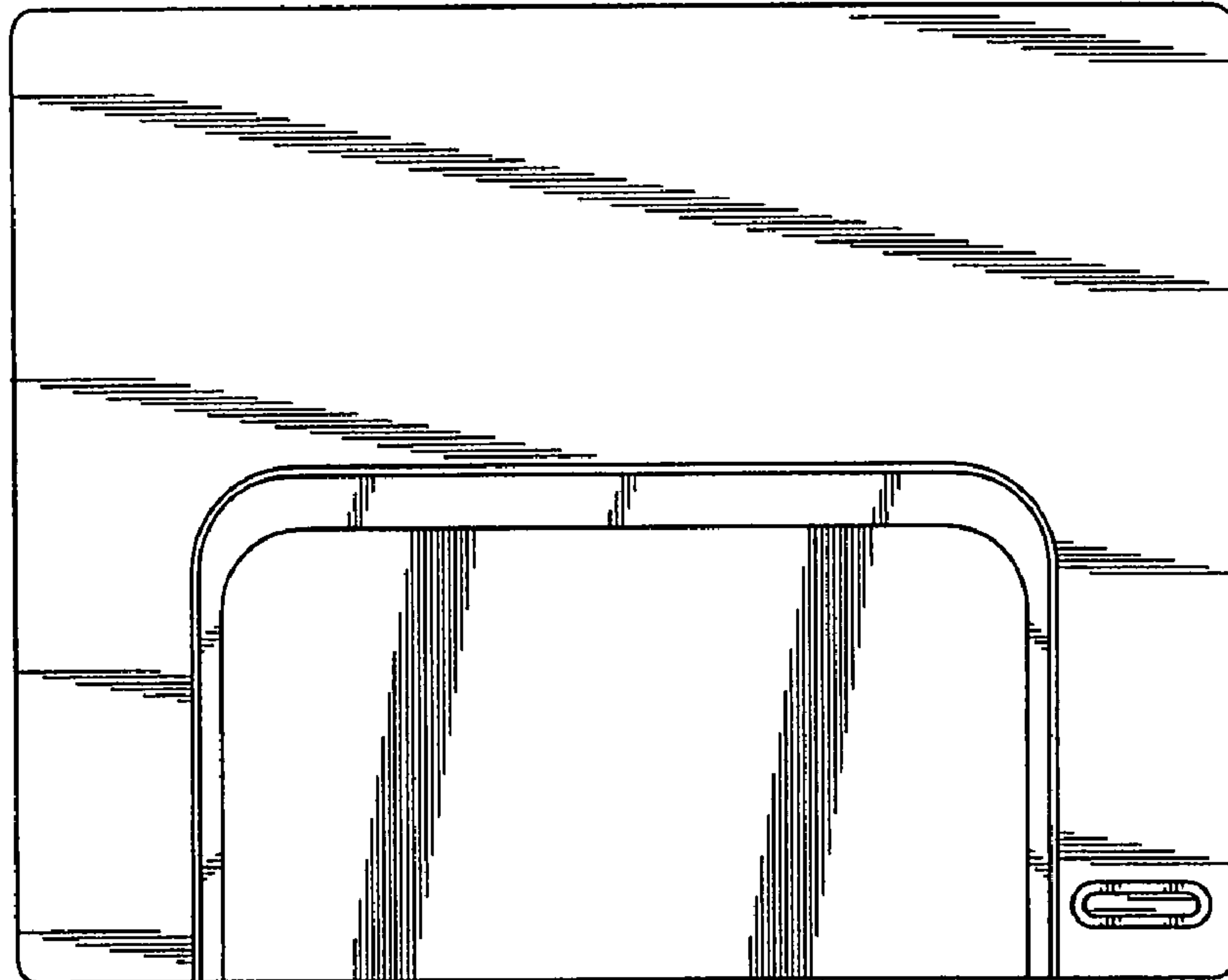


FIG. 6

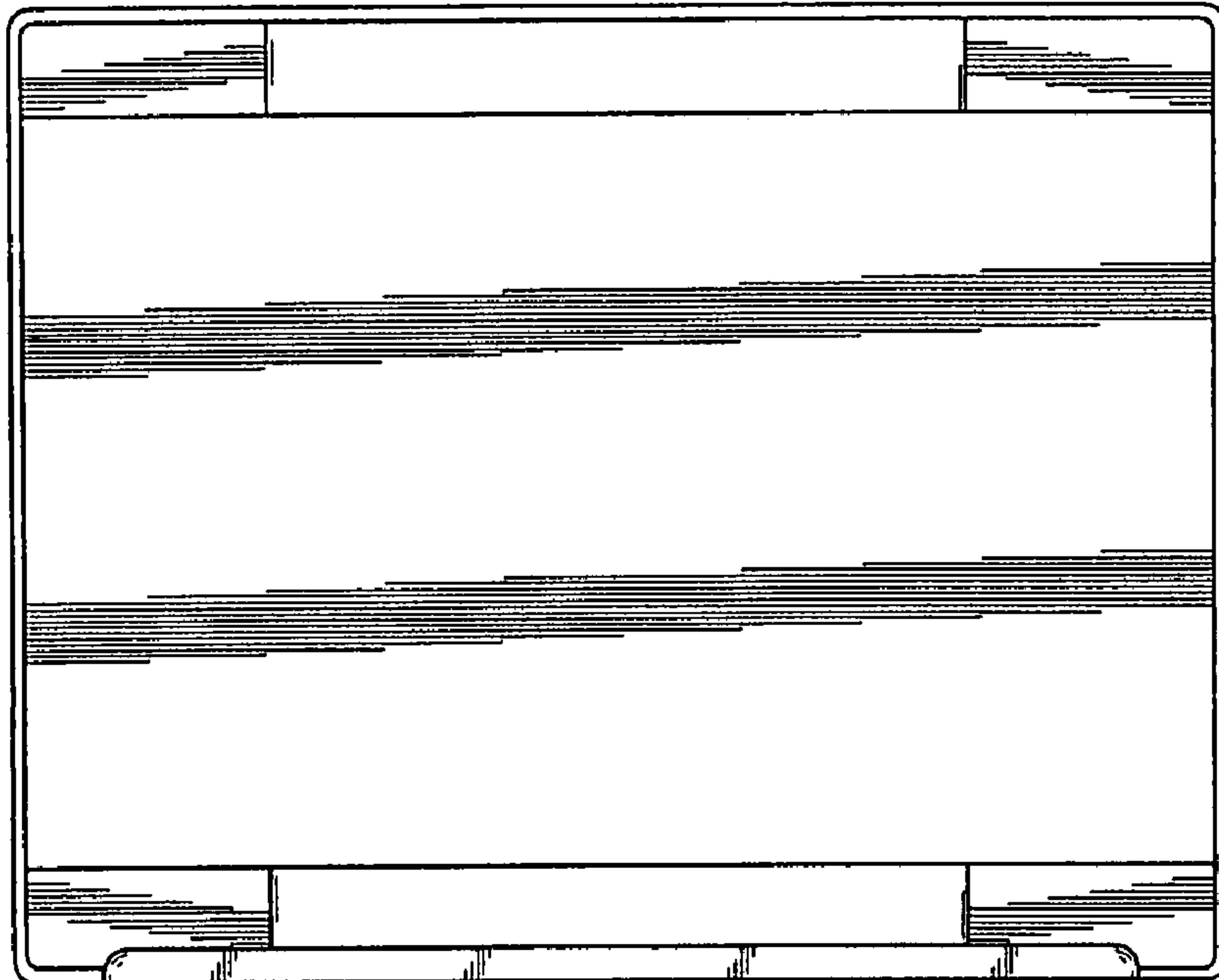


FIG. 7