

US00D562377S

(12) **United States Design Patent**
Kuroda

(10) **Patent No.:** **US D562,377 S**

(45) **Date of Patent:** **** Feb. 19, 2008**

(54) **BANK NOTE SORTER**

(75) Inventor: **Takayuki Kuroda**, Hyogo-Ken (JP)

(73) Assignee: **Glory Ltd.**, Hyogo-Ken (JP)

(**) Term: **14 Years**

(21) Appl. No.: **29/274,015**

(22) Filed: **Mar. 19, 2007**

(30) **Foreign Application Priority Data**

Sep. 20, 2006 (JP) 2006-025142

(51) **LOC (8) Cl.** **18-01**

(52) **U.S. Cl.** **D18/3.3; D18/3.1; D18/47**

(58) **Field of Classification Search** D18/1,
D18/3.1, 3.2, 3.3, 5, 6, 7, 12, 12.1, 12.2, 12.3,
D18/46-49; D10/46, 97; D99/28, 99, 34,
D99/35; 209/534, 657; 235/379, 449; 382/135;
271/187

See application file for complete search history.

(56) **References Cited**

U.S. PATENT DOCUMENTS

- D274,520 S * 7/1984 Bressler D18/49
- D279,479 S * 7/1985 Hilton D18/3.3
- D377,766 S * 2/1997 Hidaka et al. D18/3.3
- D427,623 S * 7/2000 Kuwada et al. D18/3.1
- D438,556 S * 3/2001 Kato et al. D18/3.3
- D439,604 S * 3/2001 Takagi et al. D18/3.3

- D457,554 S * 5/2002 Takagi et al. D18/3.3
- 6,980,684 B1 * 12/2005 Munro et al. 382/135
- D517,115 S * 3/2006 Kuwada D18/3.3
- D539,332 S * 3/2007 Gonzalez D18/3.3
- 2001/0015311 A1 * 8/2001 Mennie 194/302
- 2003/0118228 A1 * 6/2003 Mennie et al. 382/135

* cited by examiner

Primary Examiner—Stella M. Reid

Assistant Examiner—Elizabeth J Oswecki

(74) *Attorney, Agent, or Firm*—Wenderoth, Lind & Ponack, L.L.P.

(57) **CLAIM**

The ornamental design for a bank note sorter, as shown.

DESCRIPTION

FIG. 1 is a perspective view of a bank note sorter showing my new design;

FIG. 2 is a front elevational view thereof;

FIG. 3 is a rear elevational view thereof;

FIG. 4 is a top plan view thereof;

FIG. 5 is a bottom plan view thereof;

FIG. 6 is a left side elevational view thereof; and

FIG. 7 is a right side elevational view thereof; and,

FIG. 8 is a cross-sectional view taken vertically along line 8—8 in FIG. 2.

1 Claim, 4 Drawing Sheets

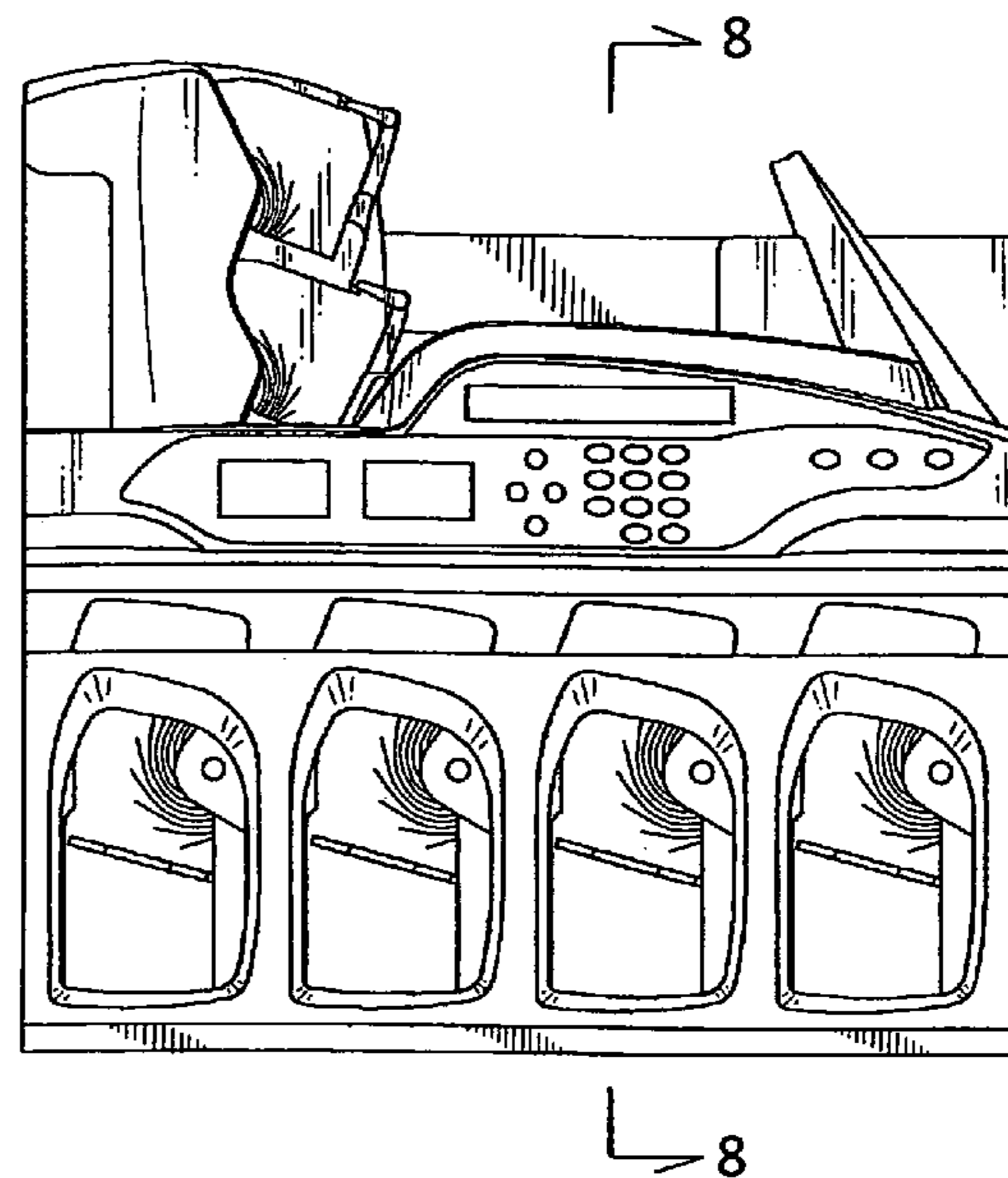
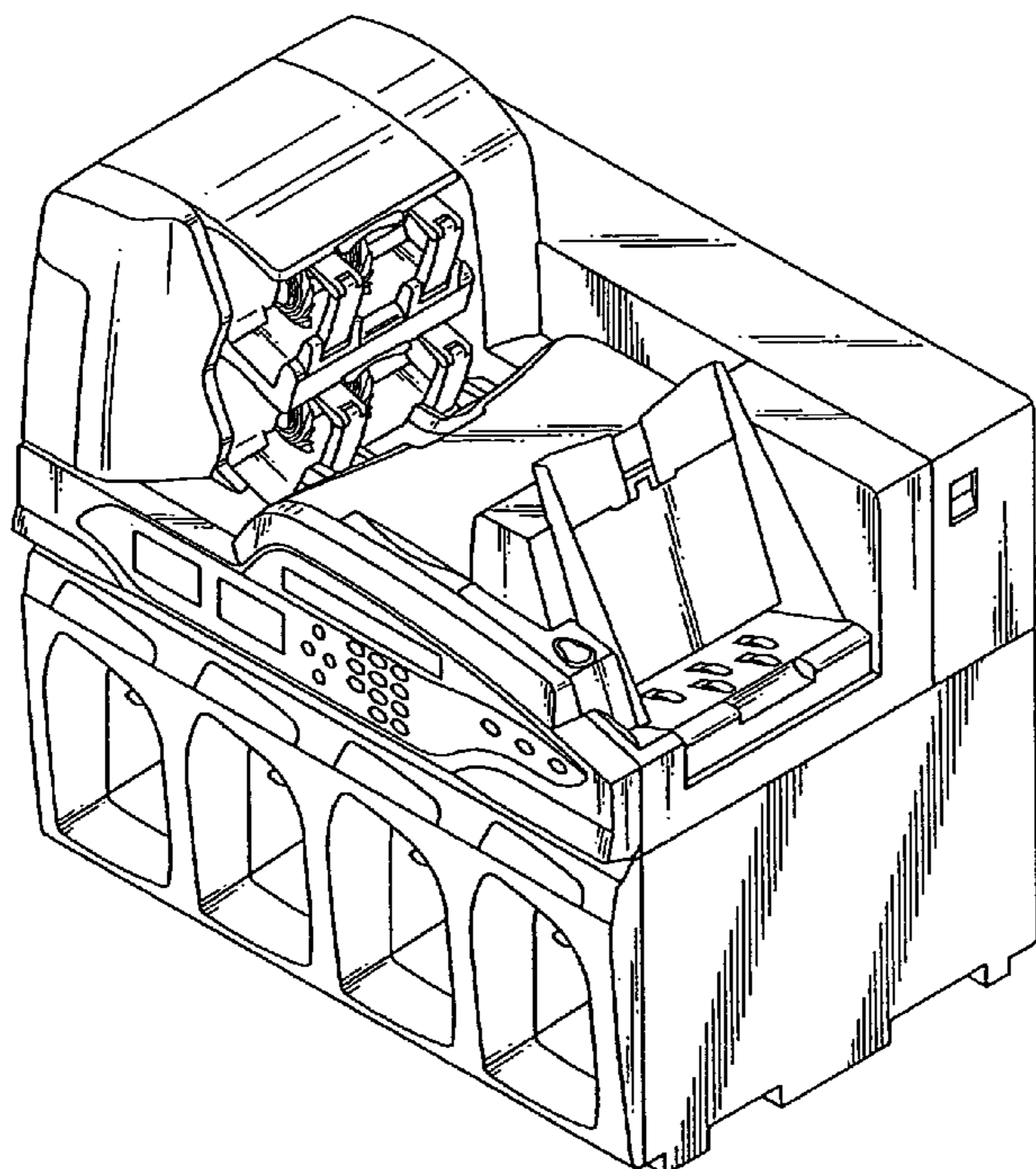


FIG. 1

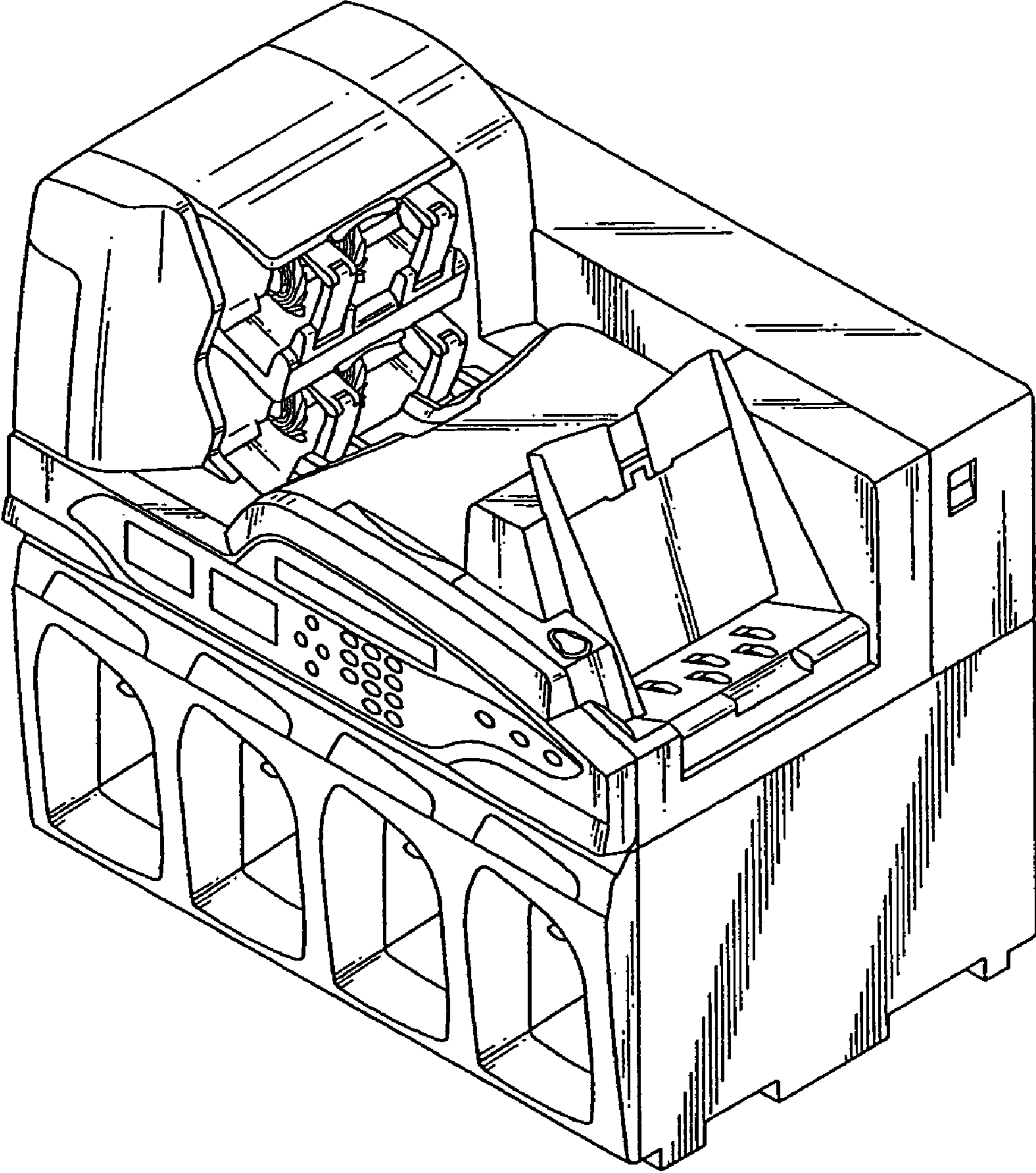


FIG. 2

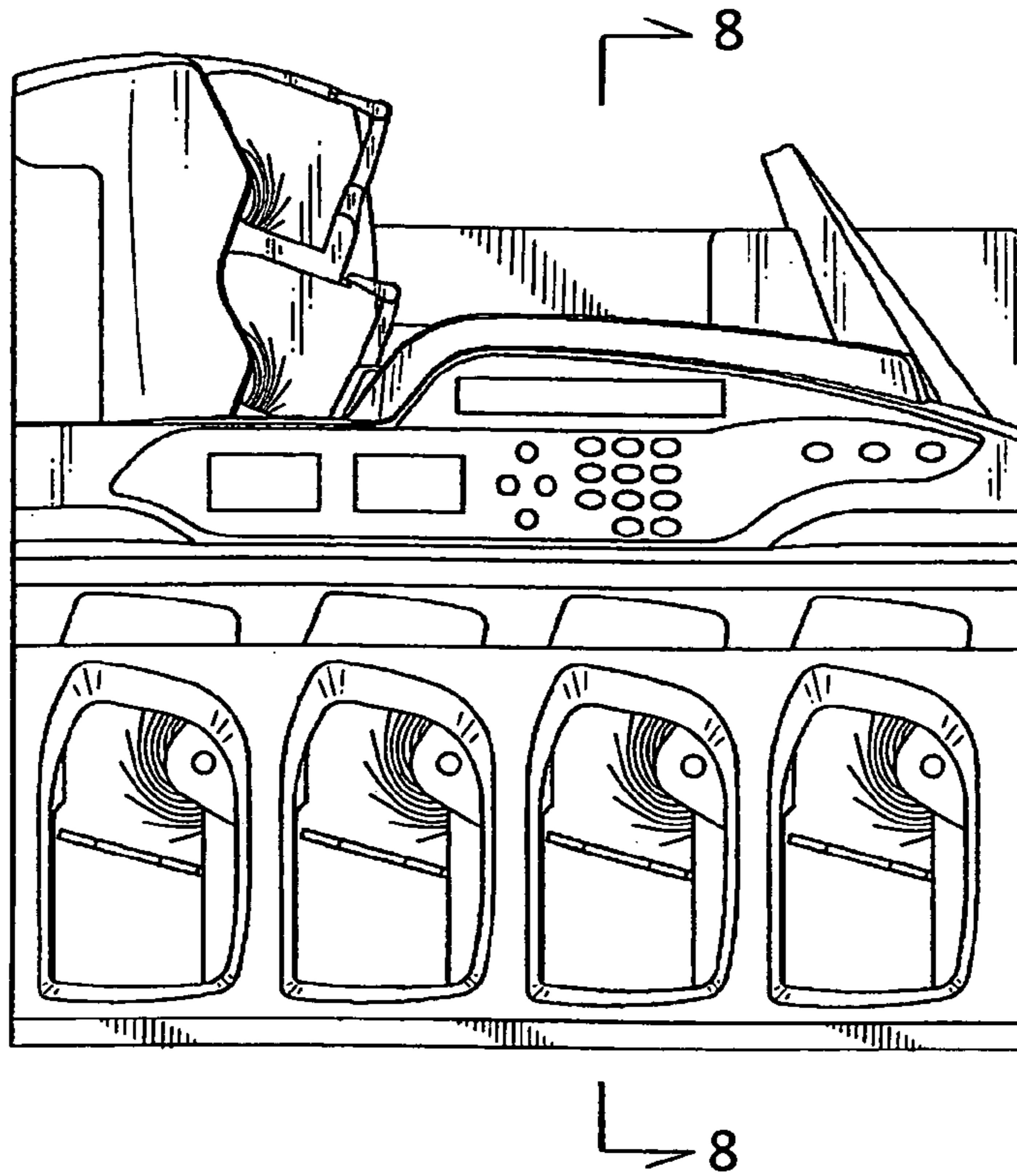


FIG. 3

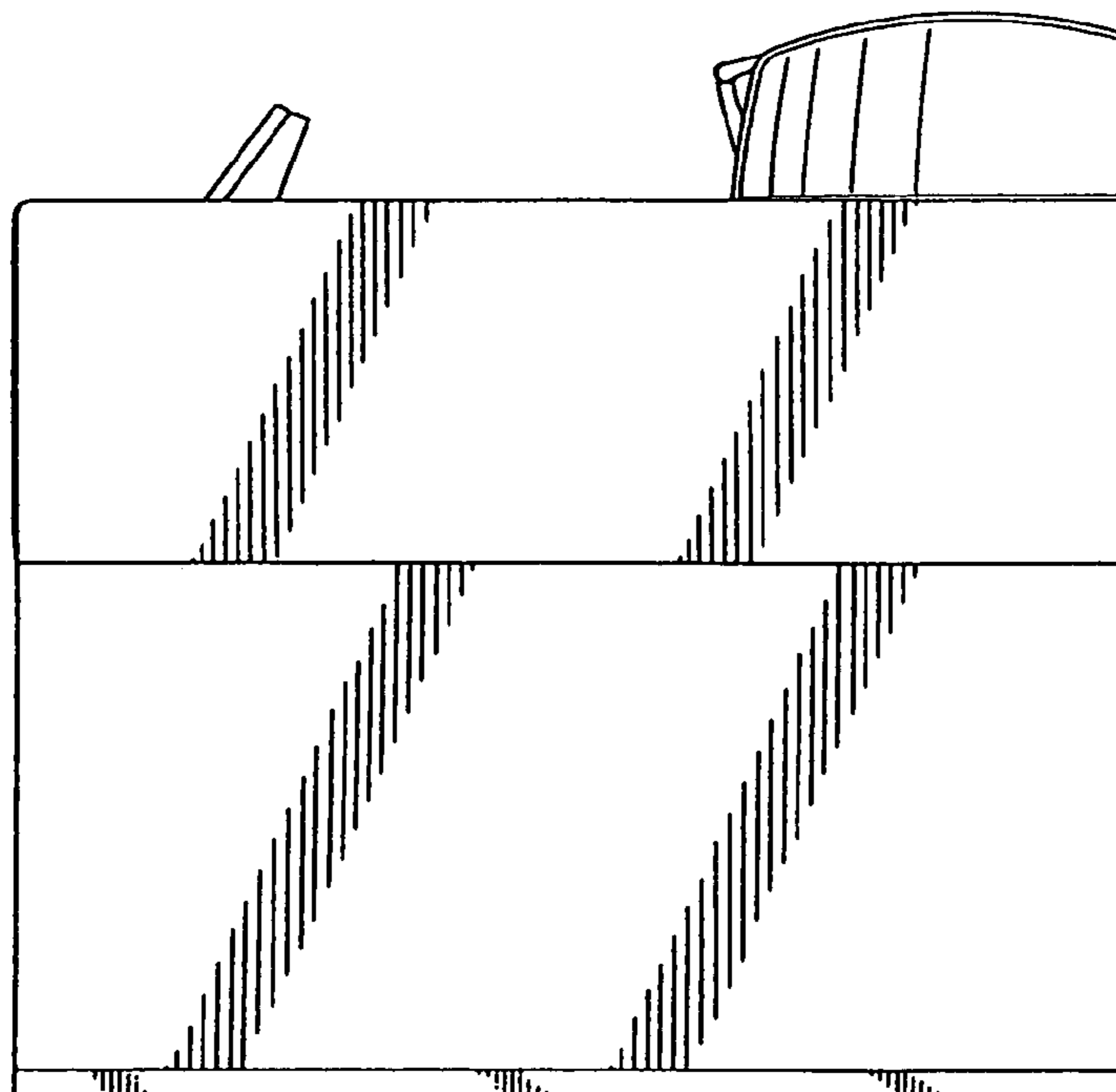


FIG. 4

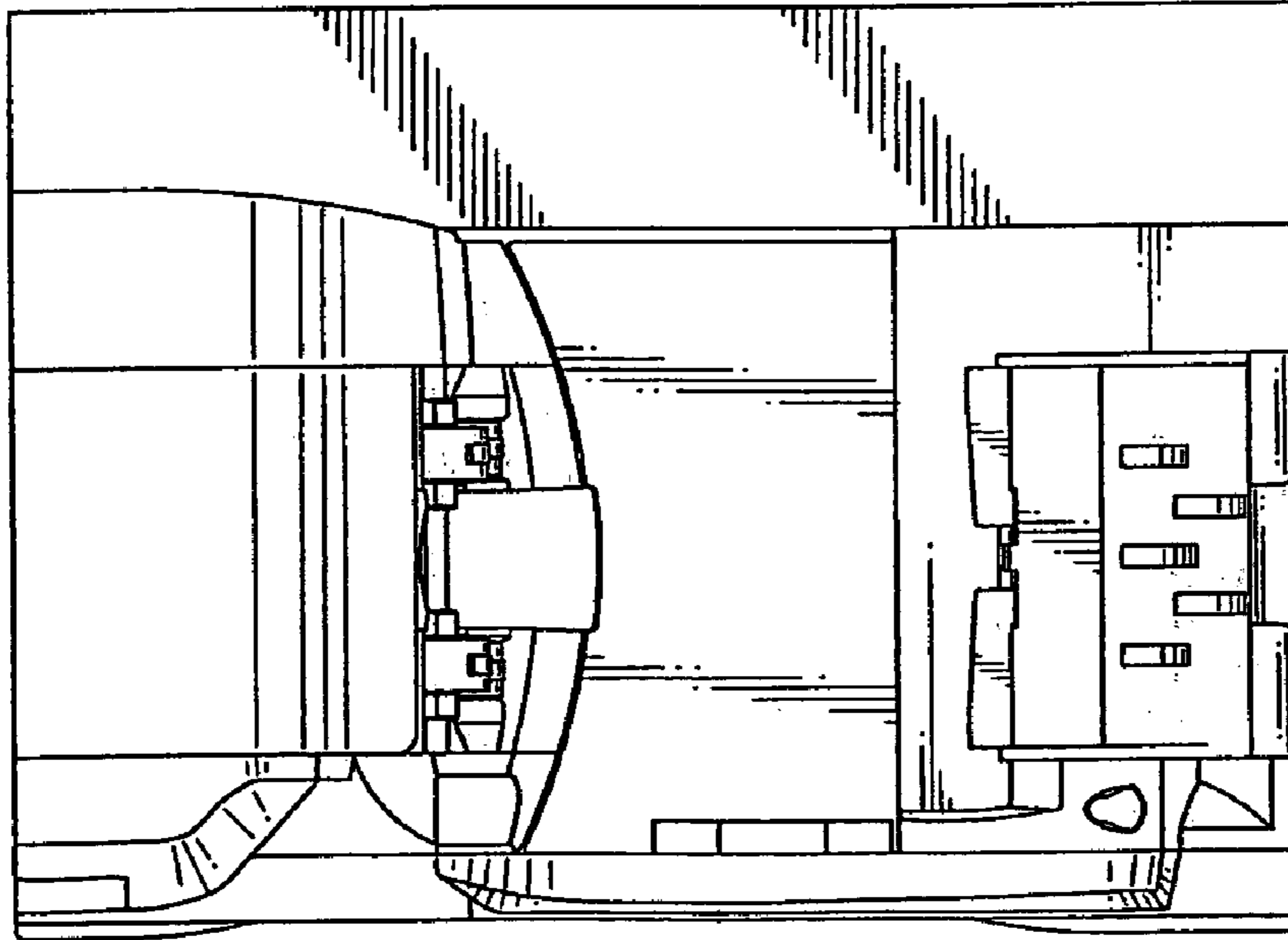


FIG. 5

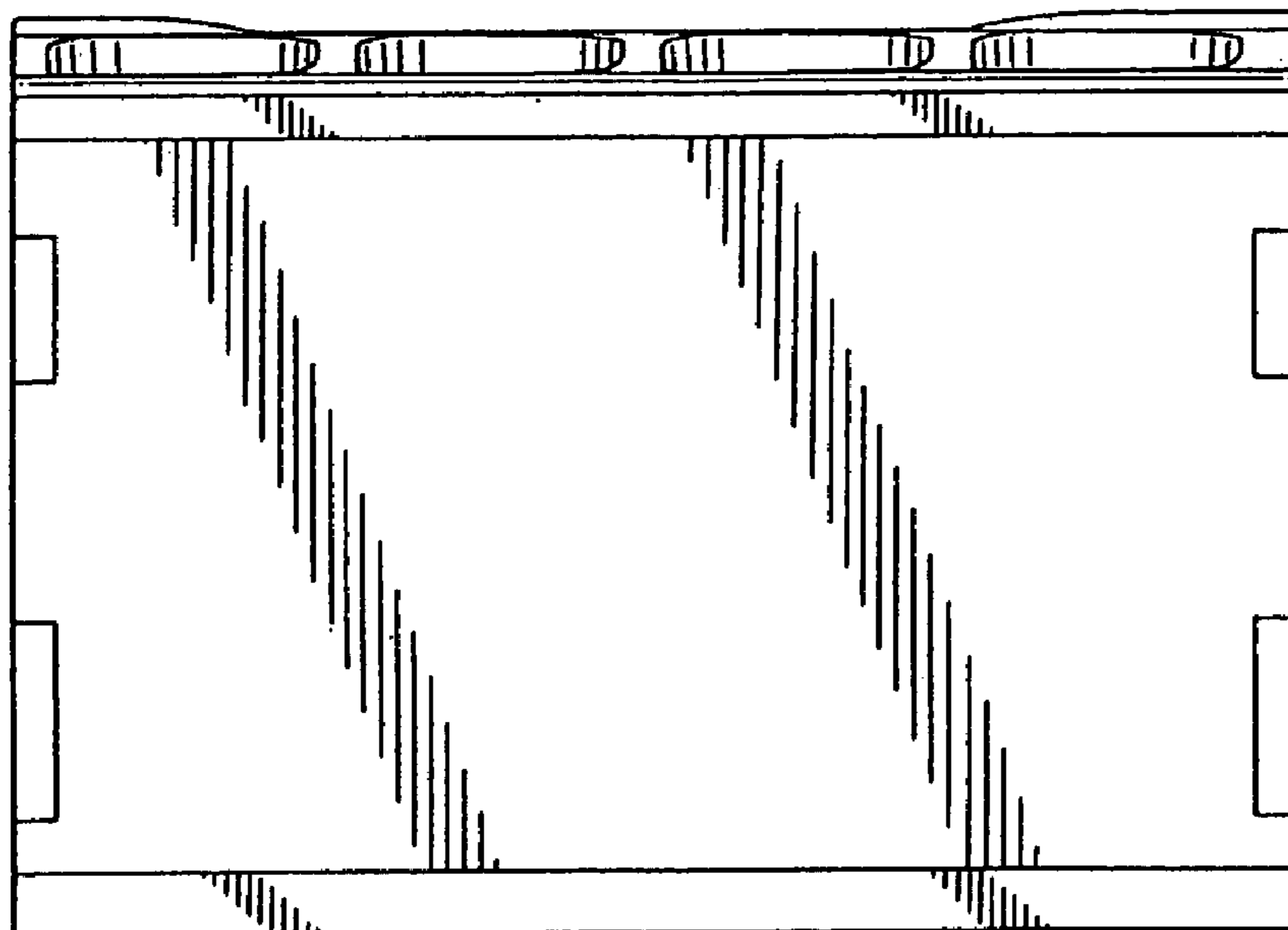


FIG. 6

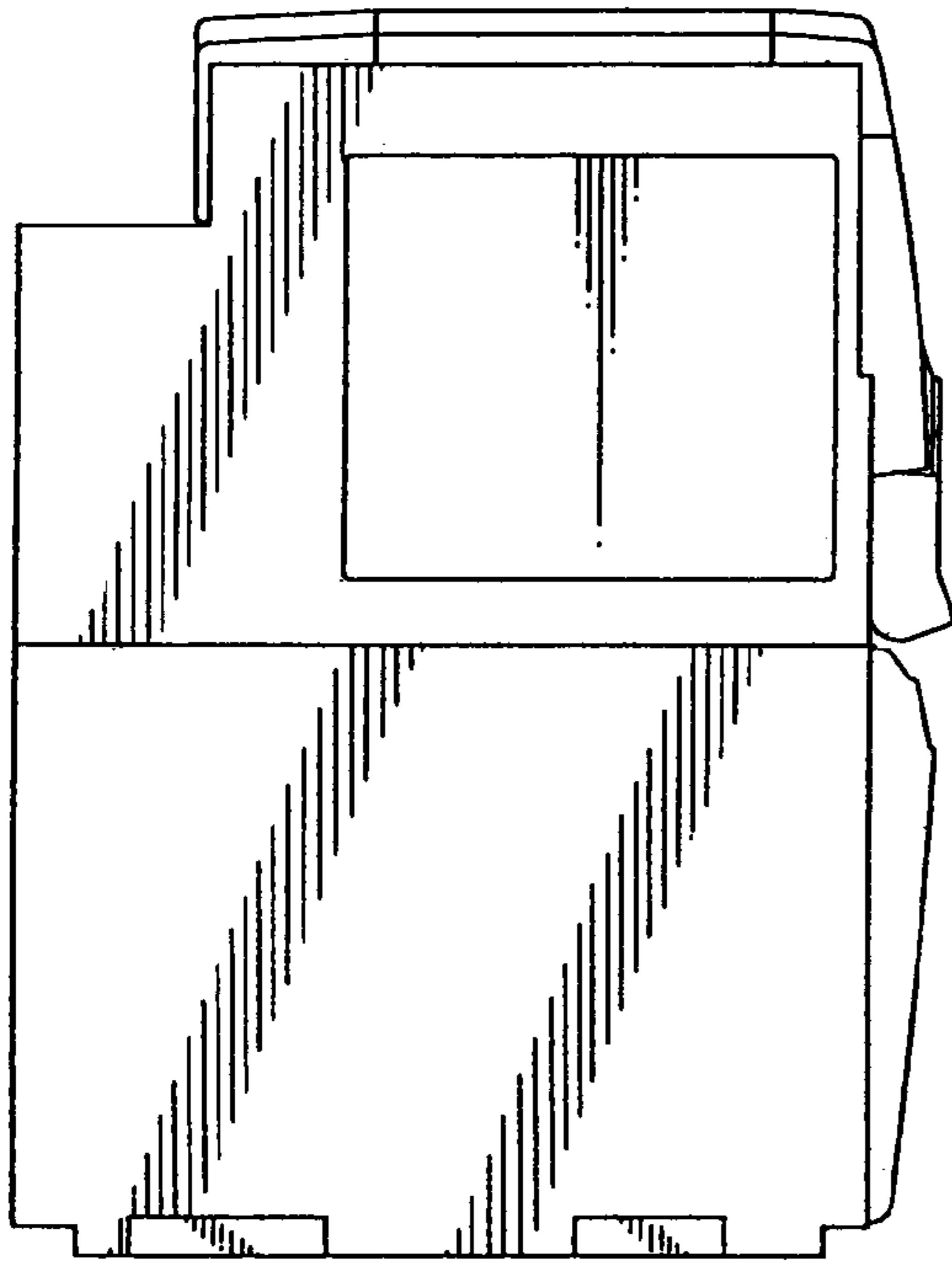


FIG. 7

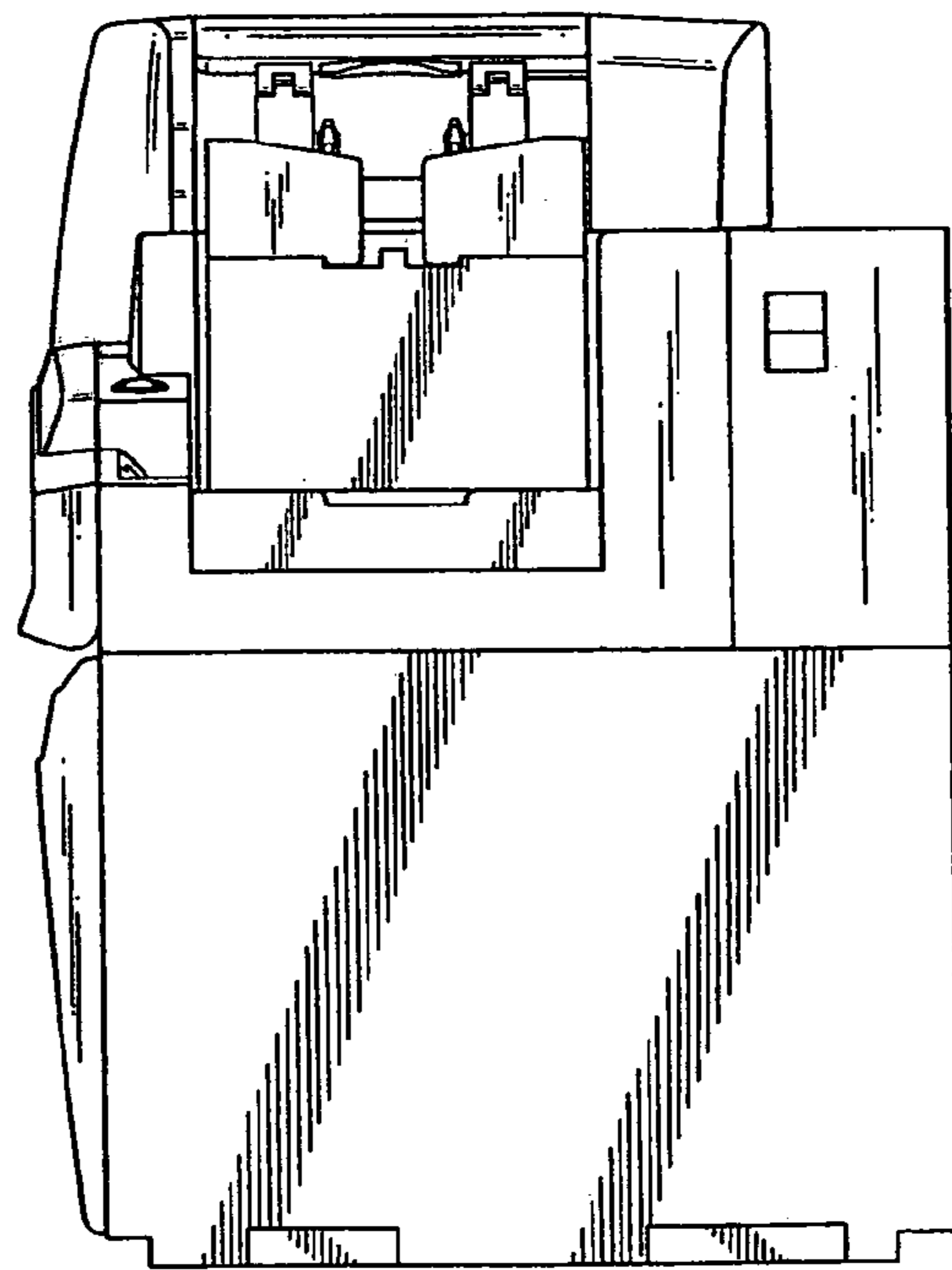


FIG. 8

