



US00D562376S

(12) **United States Design Patent**  
**Takito et al.**

(10) **Patent No.:** **US D562,376 S**  
(45) **Date of Patent:** **\*\* Feb. 19, 2008**

(54) **PROJECTOR**

(75) Inventors: **Koji Takito**, Nisshin (JP); **Narihiko Hashimoto**, Nagoya (JP); **Daisuke Nakayama**, Nagoya (JP); **Tomoyuki Okamoto**, Kasugai (JP); **Shigeru Matsumoto**, Toyokawa (JP)

(73) Assignee: **Brother Industries, Ltd.**, Aichi-ken (JP)

(\*\*) Term: **14 Years**

(21) Appl. No.: **29/278,842**

(22) Filed: **Apr. 11, 2007**

(30) **Foreign Application Priority Data**

Oct. 11, 2006 (JP) ..... 2006-027505

(51) **LOC (8) Cl.** ..... **16-02**

(52) **U.S. Cl.** ..... **D16/230; D16/225**

(58) **Field of Classification Search** ..... D16/205,  
D16/208, 213, 221, 225, 230, 231, 234; D21/514;  
353/115, 119, 122

See application file for complete search history.

(56) **References Cited**

**U.S. PATENT DOCUMENTS**

D387,795 S \* 12/1997 Sakamoto ..... D16/231  
D389,850 S \* 1/1998 Frank ..... D16/225  
D437,608 S 2/2001 Shiota et al.

D464,074 S 10/2002 Miyazaki  
6,616,282 B2 \* 9/2003 Ozawa ..... 353/119  
D498,489 S \* 11/2004 Oross ..... D16/230  
D522,561 S 6/2006 Ikeuchi et al.  
D545,861 S \* 7/2007 Naruki ..... D16/230  
D546,864 S \* 7/2007 Kim ..... D16/230  
D554,173 S \* 10/2007 Naruki ..... D16/230

\* cited by examiner

*Primary Examiner*—Adir Aronovich

(74) *Attorney, Agent, or Firm*—Banner & Witcoff, Ltd.

(57) **CLAIM**

The ornamental design for a projector, as shown and described.

**DESCRIPTION**

FIG. 1 is a front view of a projector showing our new design;

FIG. 2 is a top view thereof;

FIG. 3 is a right side elevational view thereof;

FIG. 4 is a left side elevational view thereof;

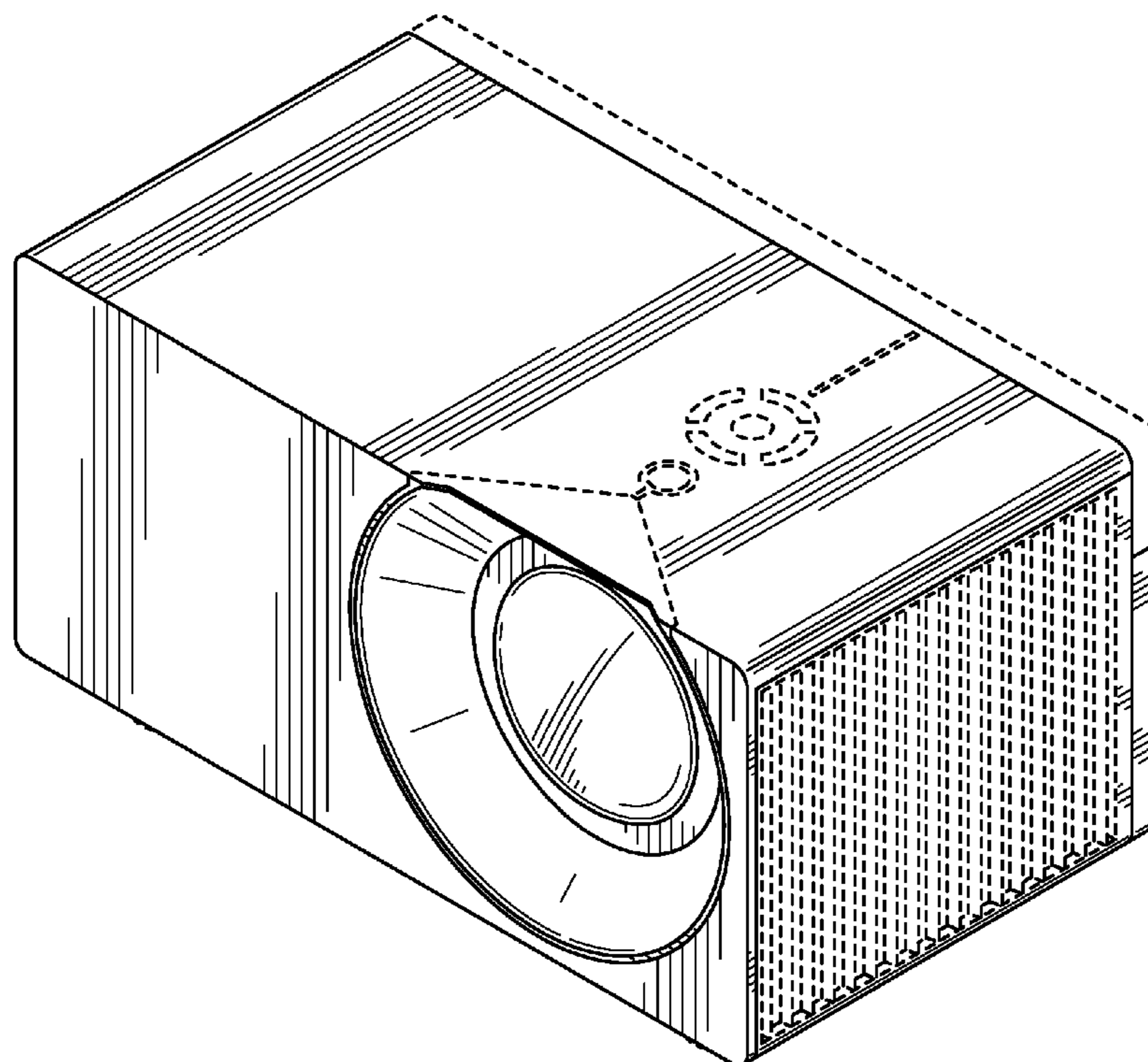
FIG. 5 is a rear view thereof;

FIG. 6 is a bottom view thereof; and,

FIG. 7 is a perspective view thereof.

The broken line showing of portions of the projector is for illustrative purposes only and forms no part of the claimed design.

**1 Claim, 4 Drawing Sheets**



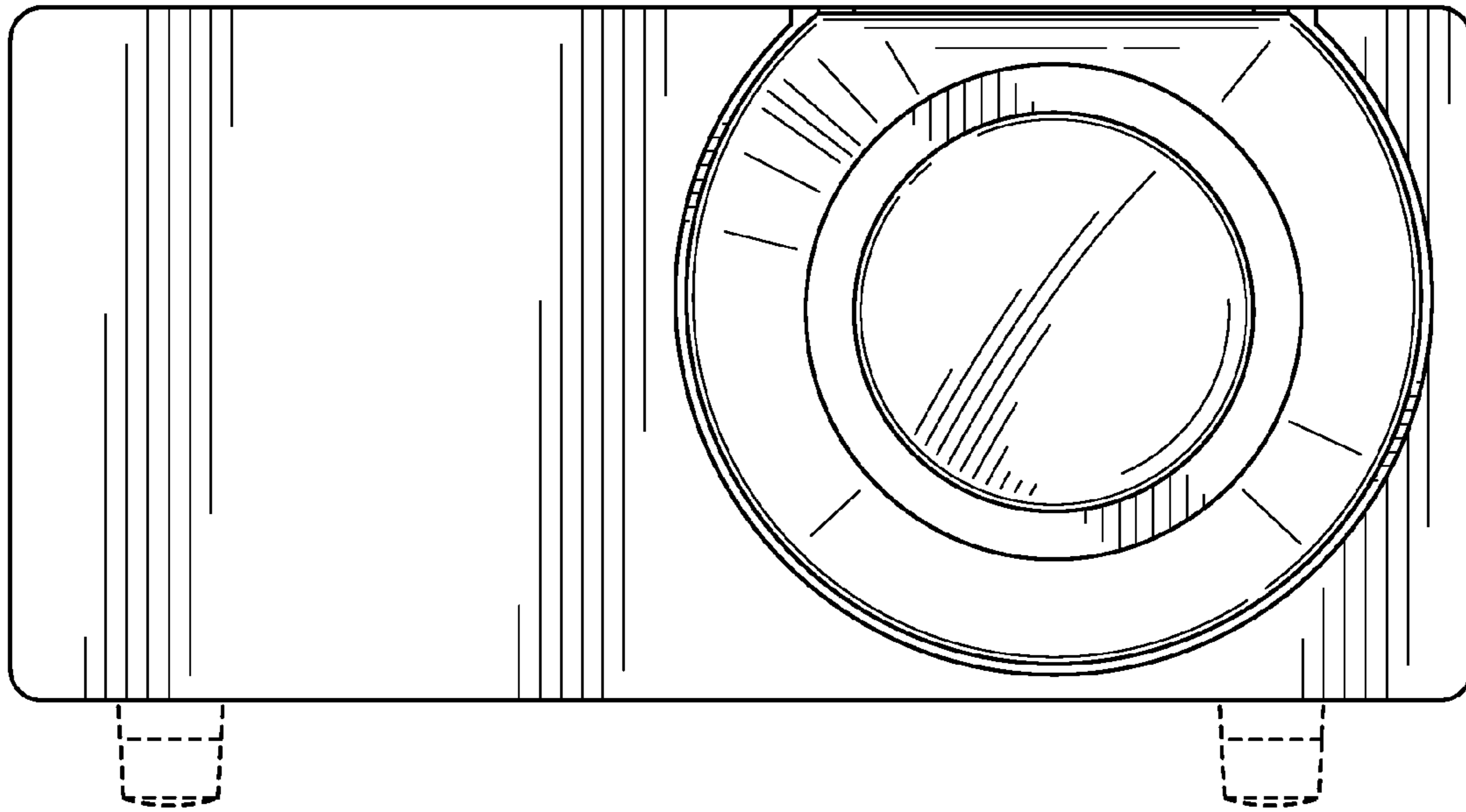


FIG. 1

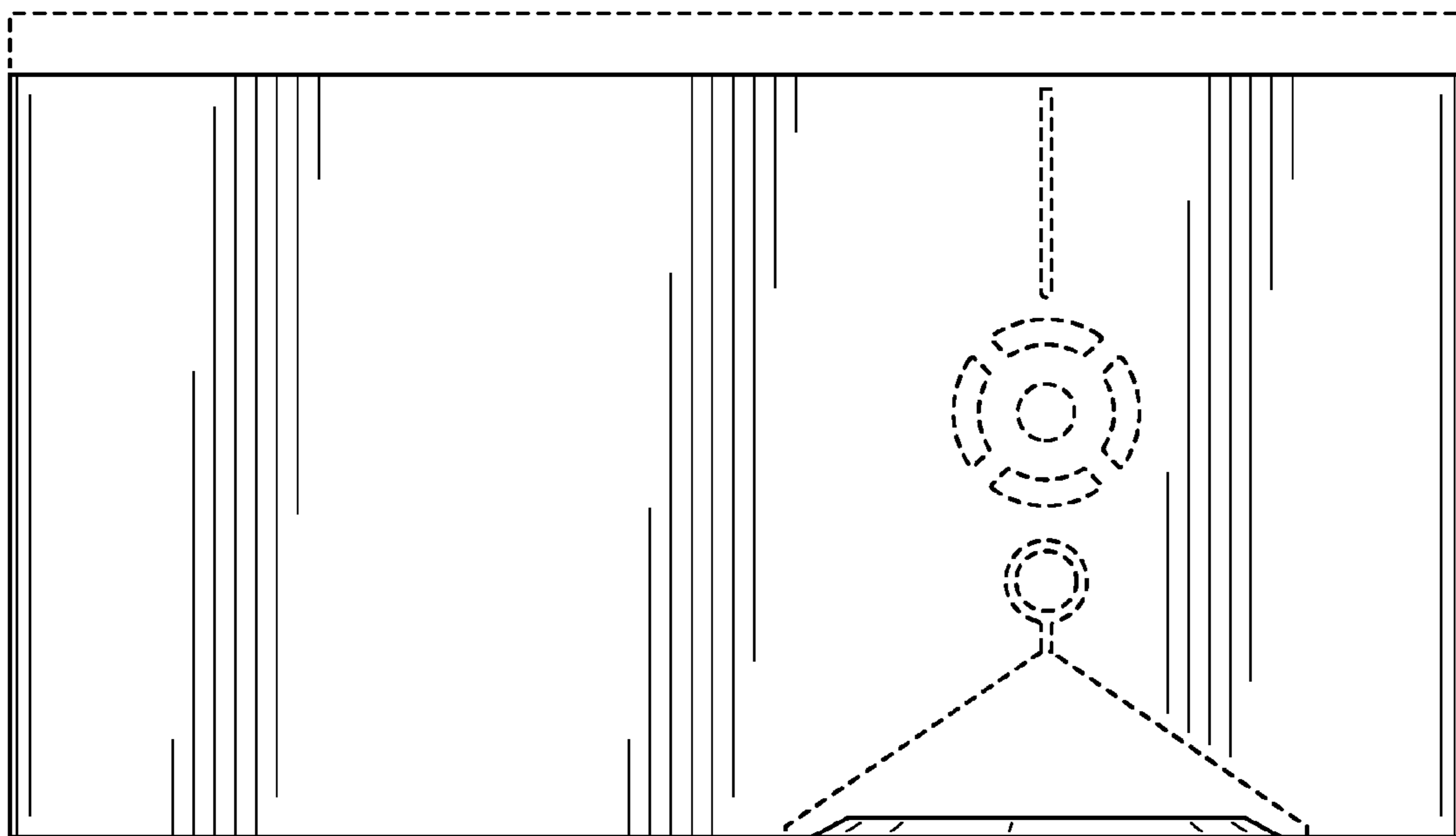


FIG. 2

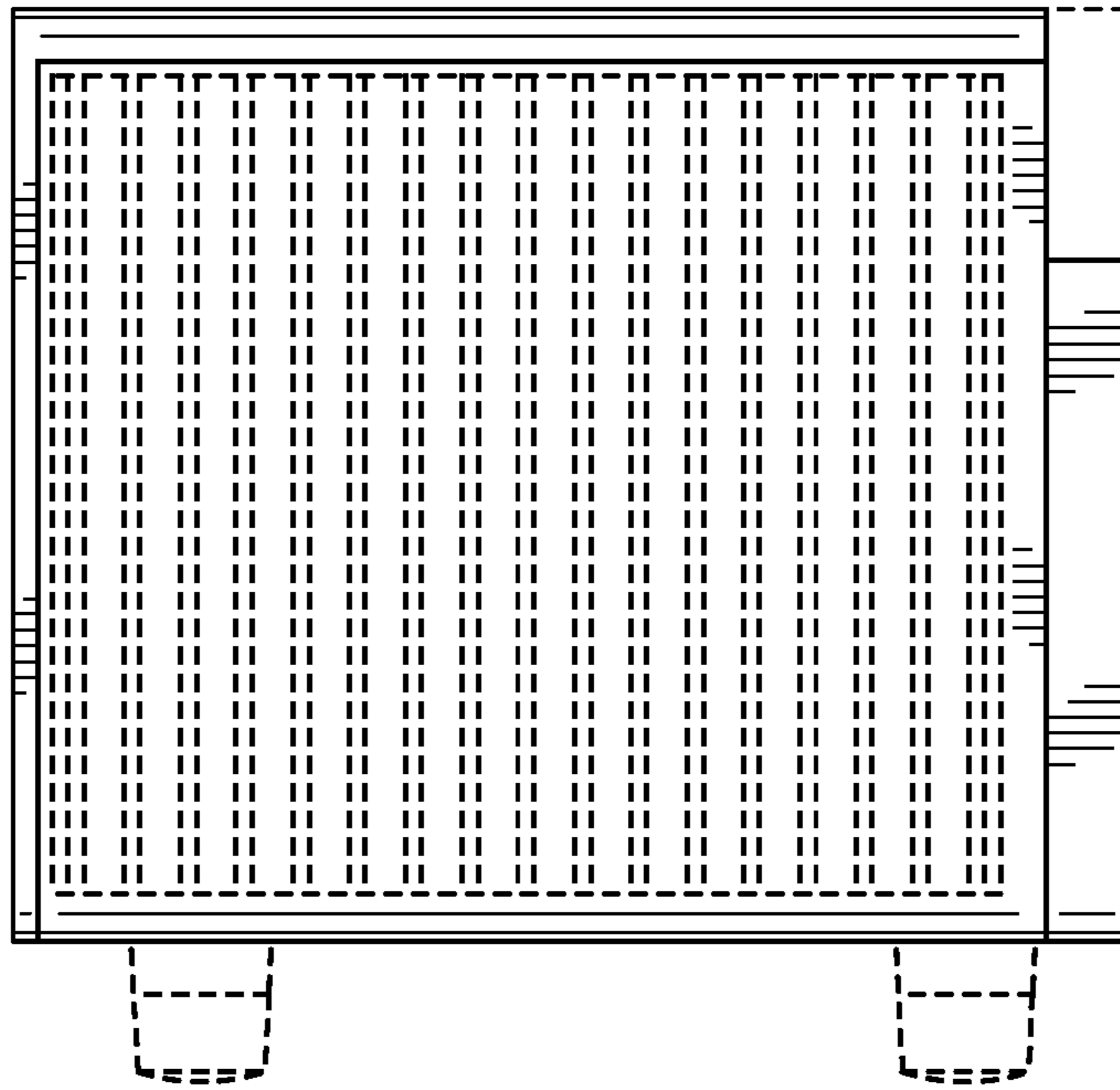


FIG. 3

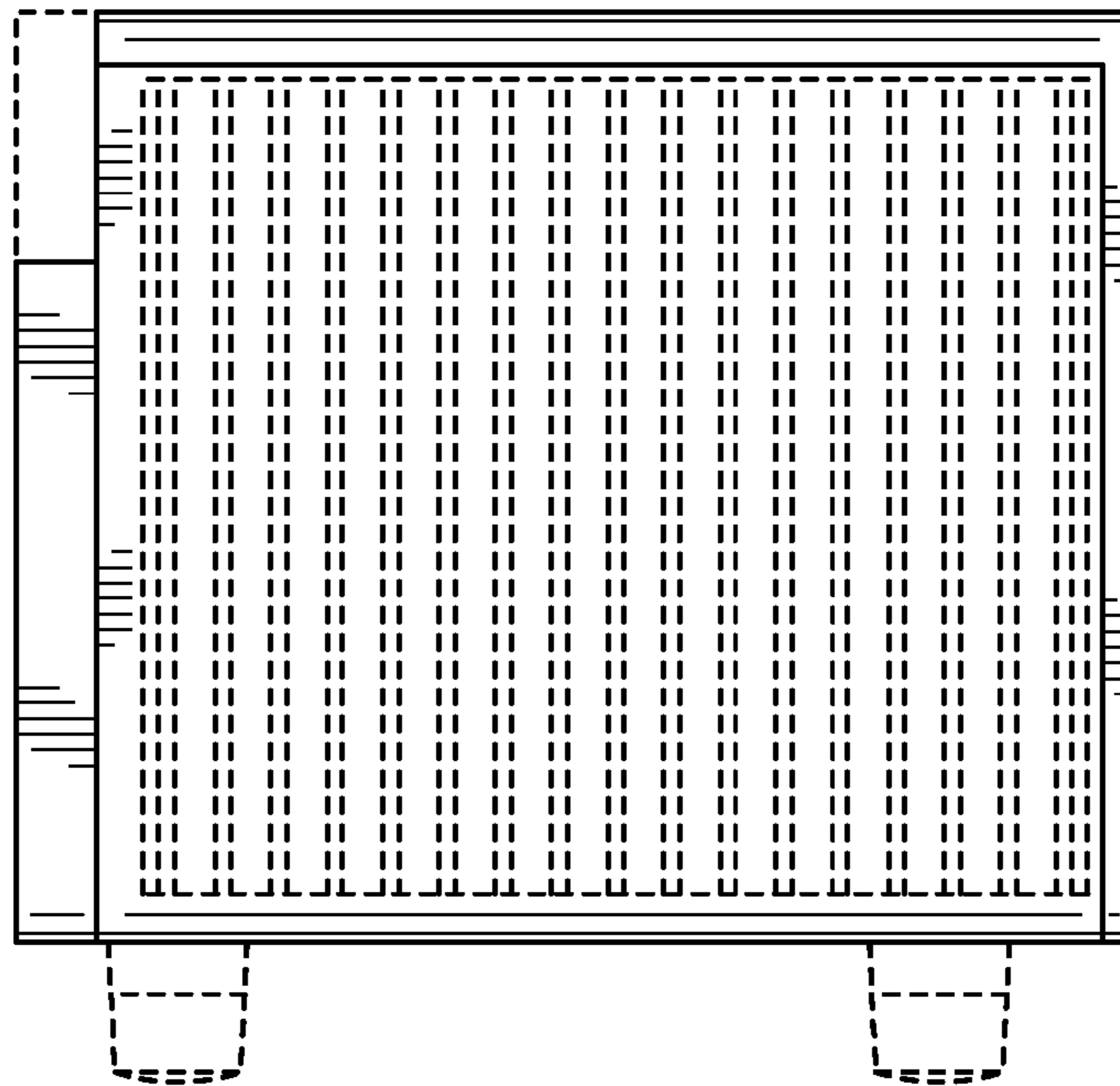


FIG. 4

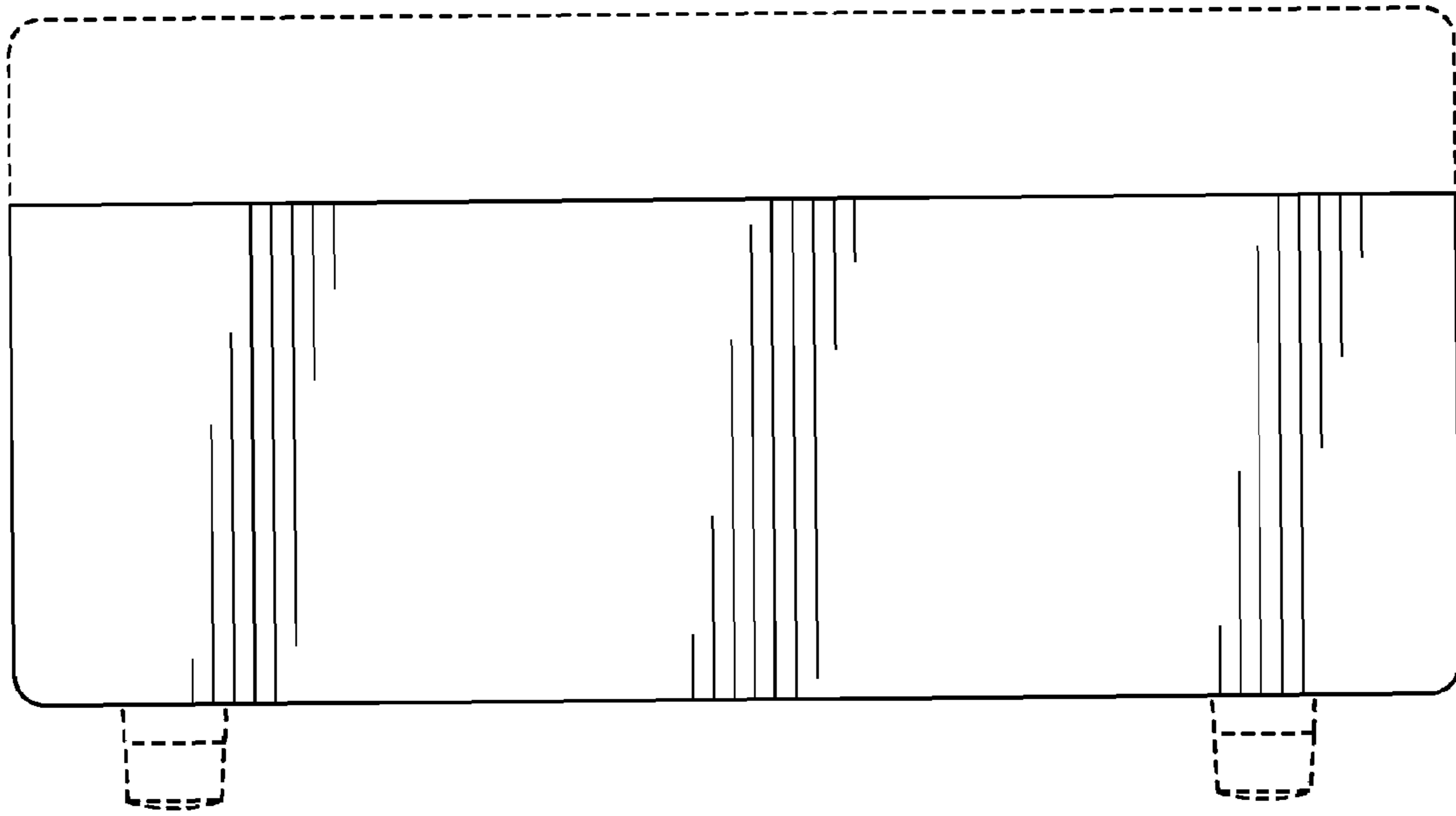


FIG. 5

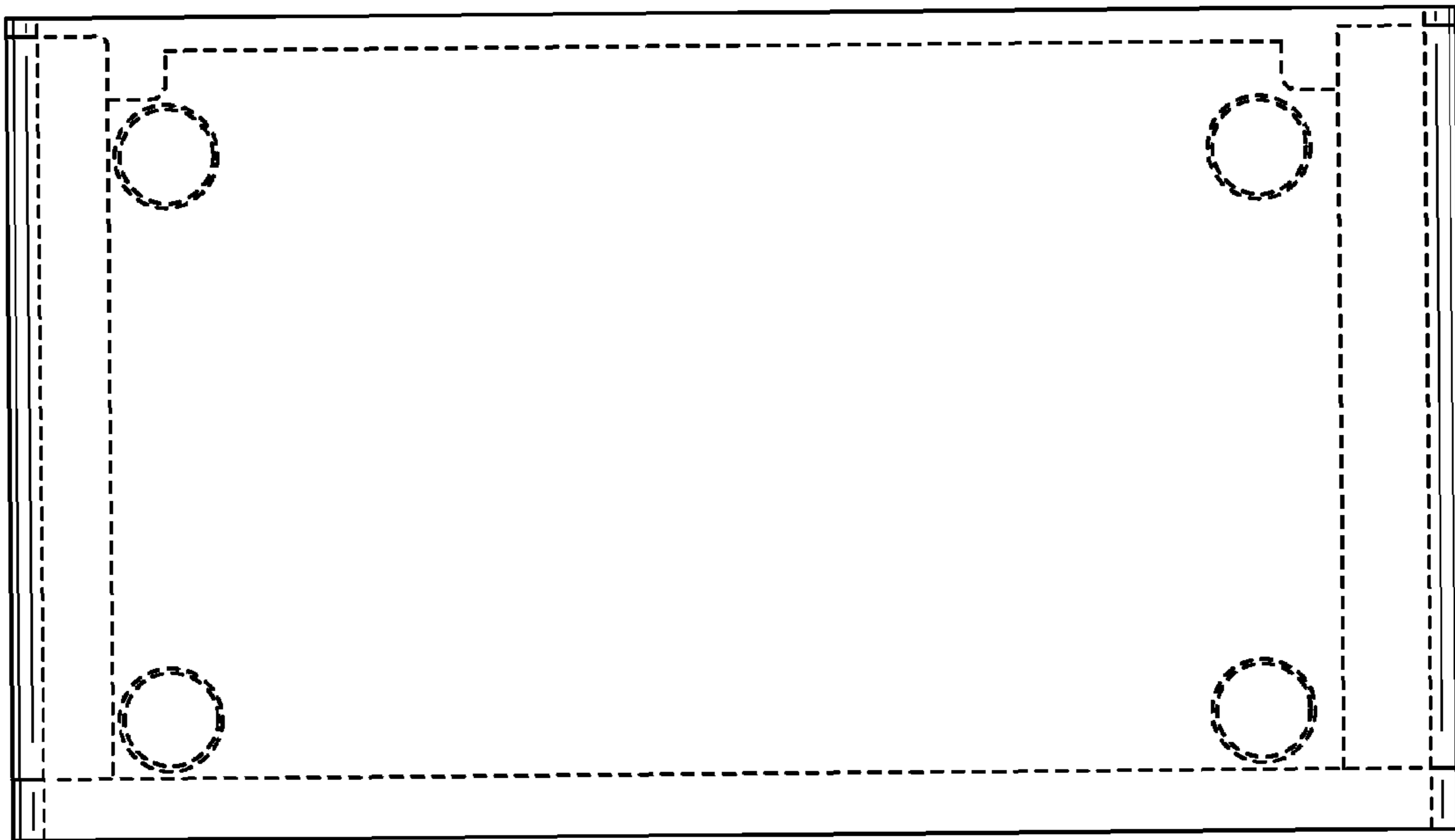


FIG. 6

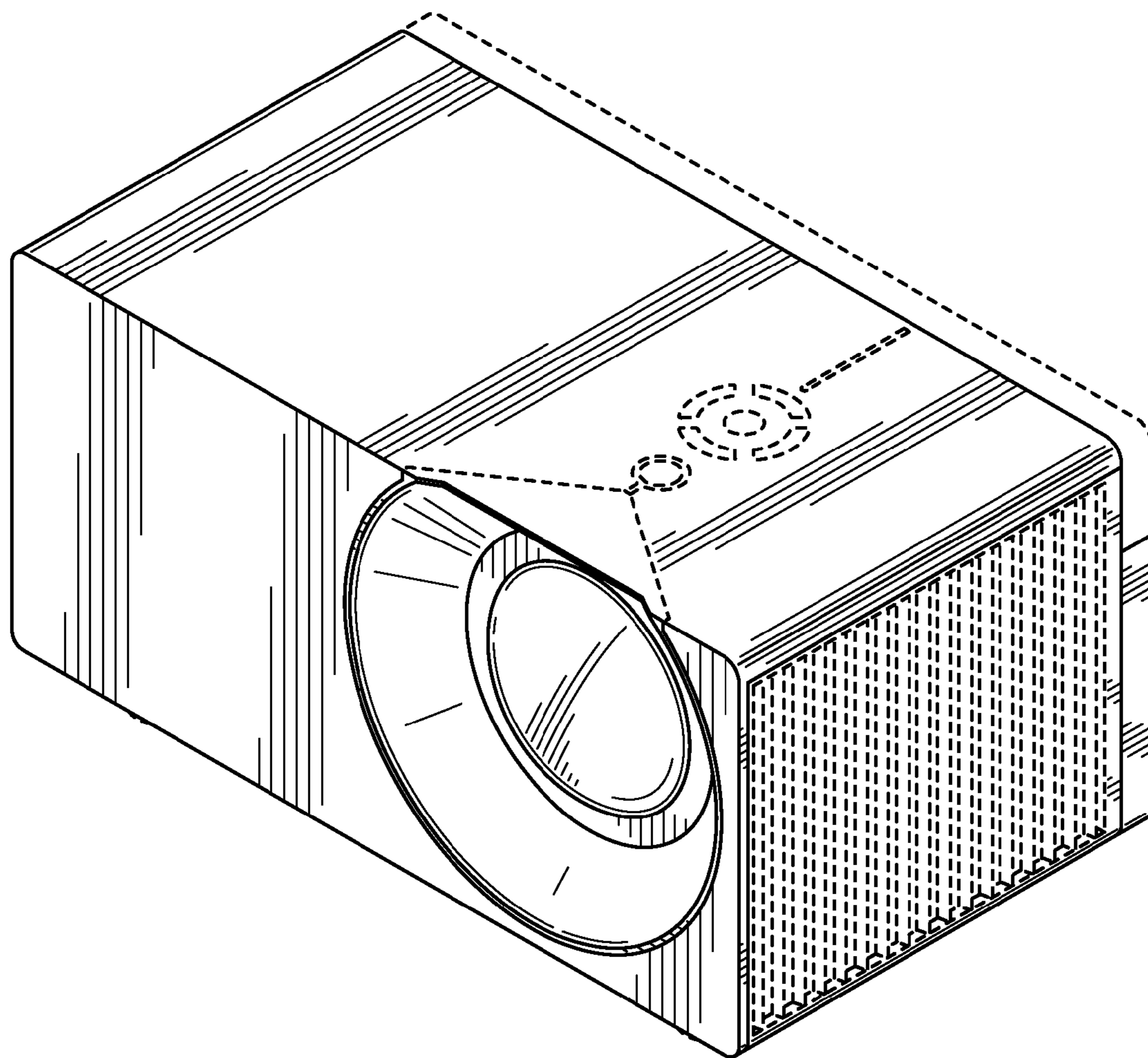


FIG. 7