

US00D562375S

(12) **United States Design Patent**
Joachim et al.

(10) **Patent No.:** **US D562,375 S**

(45) **Date of Patent:** **** Feb. 19, 2008**

(54) **PHOTO VIEWER**

(75) Inventors: **David Joachim**, Bridgewater, NJ (US);
Timothy C. Repp, Pleasant Valley, CT
(US)

(73) Assignee: **Royal Consumer Information
Products, Inc.**, Somerset, NJ (US)

(**) Term: **14 Years**

(21) Appl. No.: **29/254,163**

(22) Filed: **Feb. 17, 2006**

(51) **LOC (8) Cl.** **16-02**

(52) **U.S. Cl.** **D16/227; D21/221**

(58) **Field of Classification Search** D16/221-222,
D16/227, 229; 40/361-367; 353/120, 122,
353/115, 119, DIG. 2, DIG. 3, DIG. 5; 359/472-476;
D14/129, 126

See application file for complete search history.

(56) **References Cited**

U.S. PATENT DOCUMENTS

2,805,500 A * 9/1957 Dixler 40/367
D219,794 S * 1/1971 Doblin D16/225
D253,058 S * 10/1979 Antos D16/229

D335,310 S * 5/1993 Kurnow et al. D16/221
D345,571 S * 3/1994 Hanlon, III D16/221
D351,833 S * 10/1994 Takami et al. D14/126
D400,904 S * 11/1998 Calello D16/227

* cited by examiner

Primary Examiner—Adir Aronovich

Assistant Examiner—Wan Laymon

(74) *Attorney, Agent, or Firm*—Roberts & Roberts, LLP

(57) **CLAIM**

The ornamental design for a photo viewer, as shown and described.

DESCRIPTION

FIG. 1 is a front perspective view of a photo viewer showing our new design.

FIG. 2 is a top plan view thereof.

FIG. 3 is a front elevational view thereof.

FIG. 4 is a left side view thereof.

FIG. 5 is a right side view thereof.

FIG. 6 is a rear elevational view thereof; and,

FIG. 7 is a bottom view thereof.

1 Claim, 7 Drawing Sheets

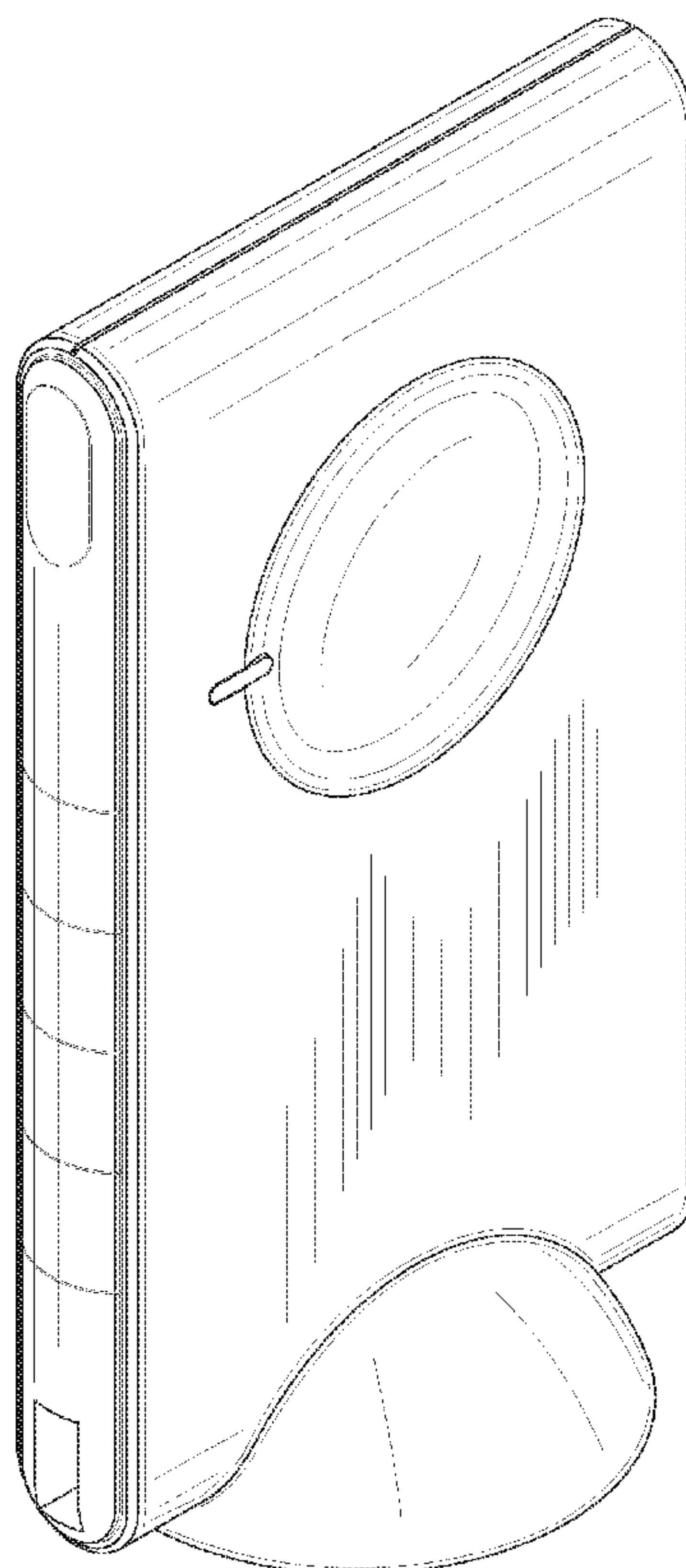


FIG. 1

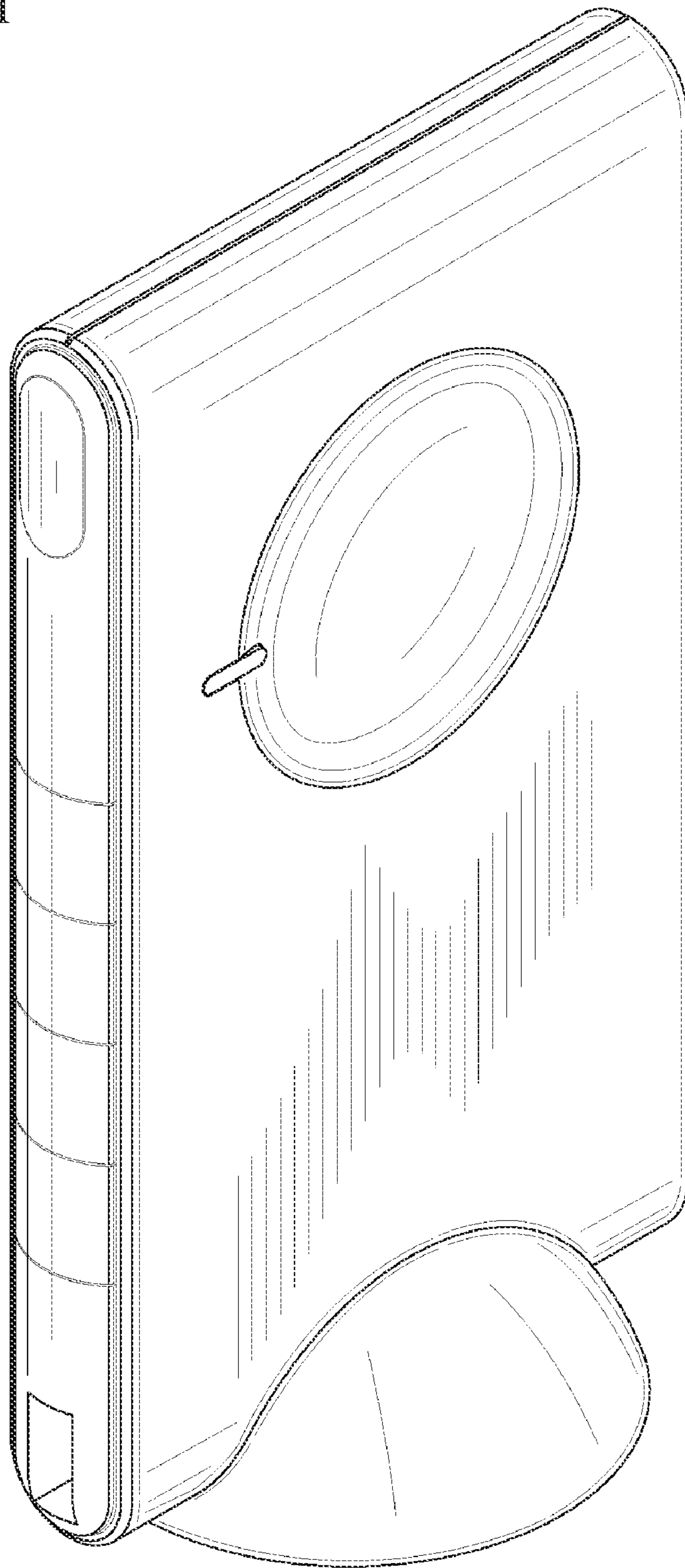


FIG. 2

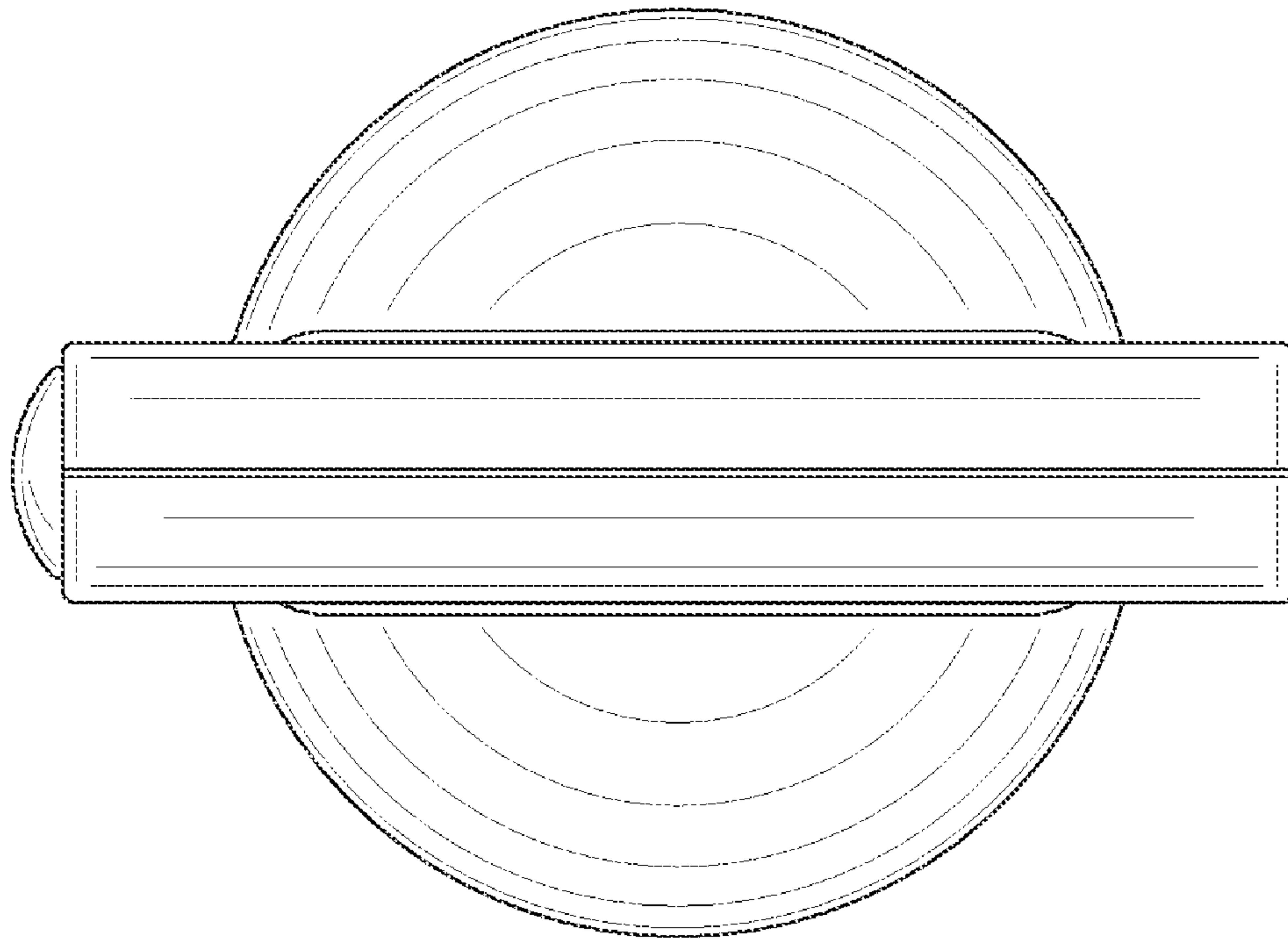


FIG. 3

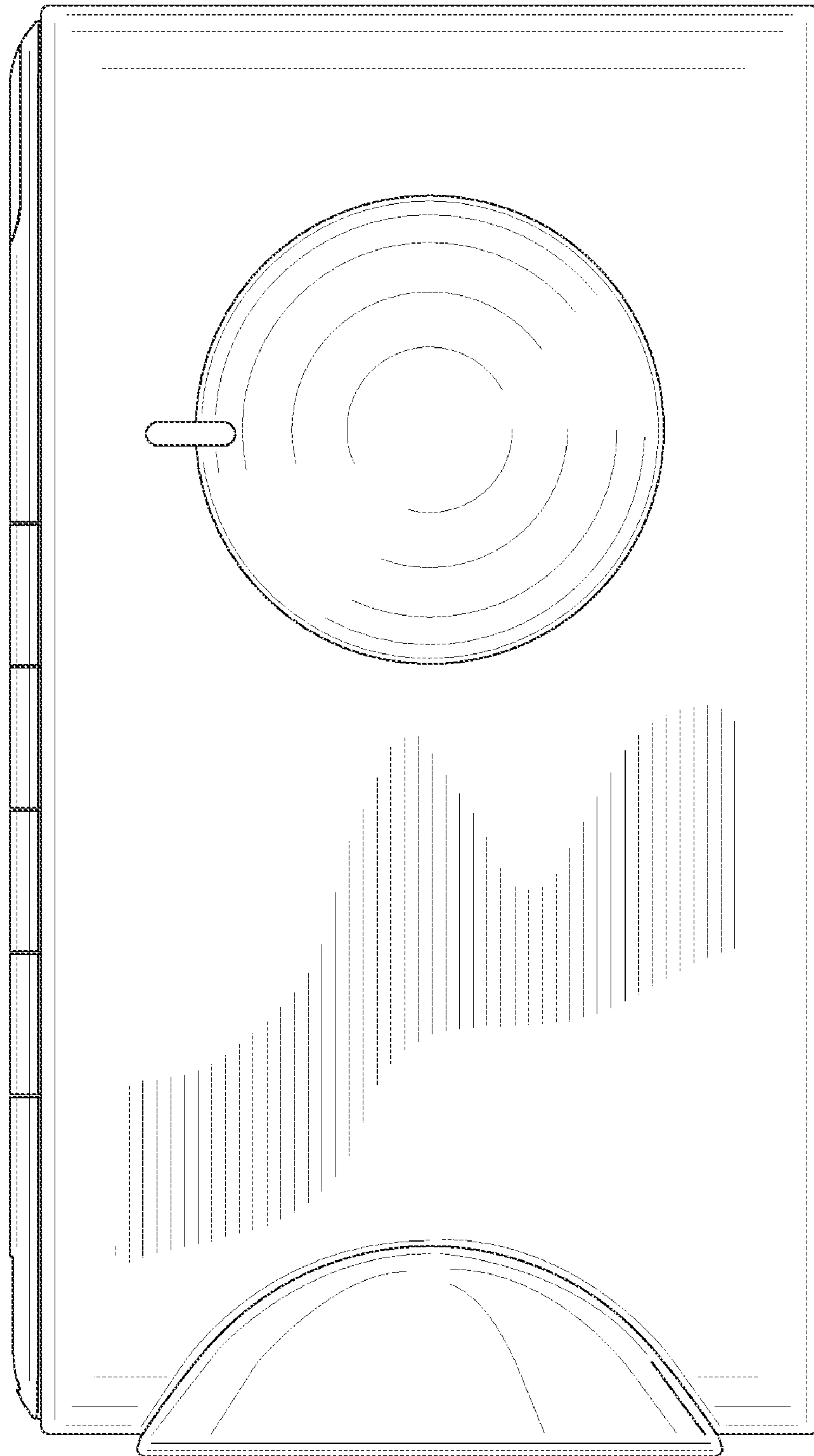


FIG. 4

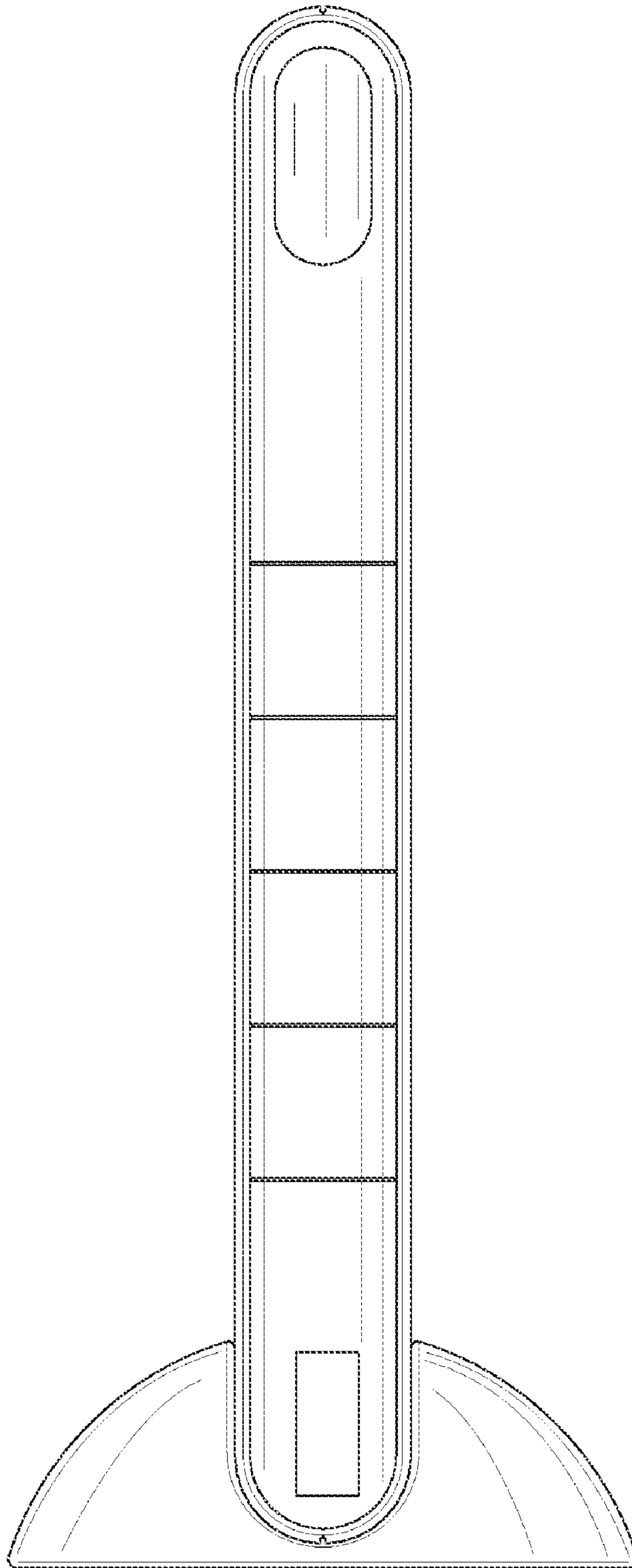


FIG. 5

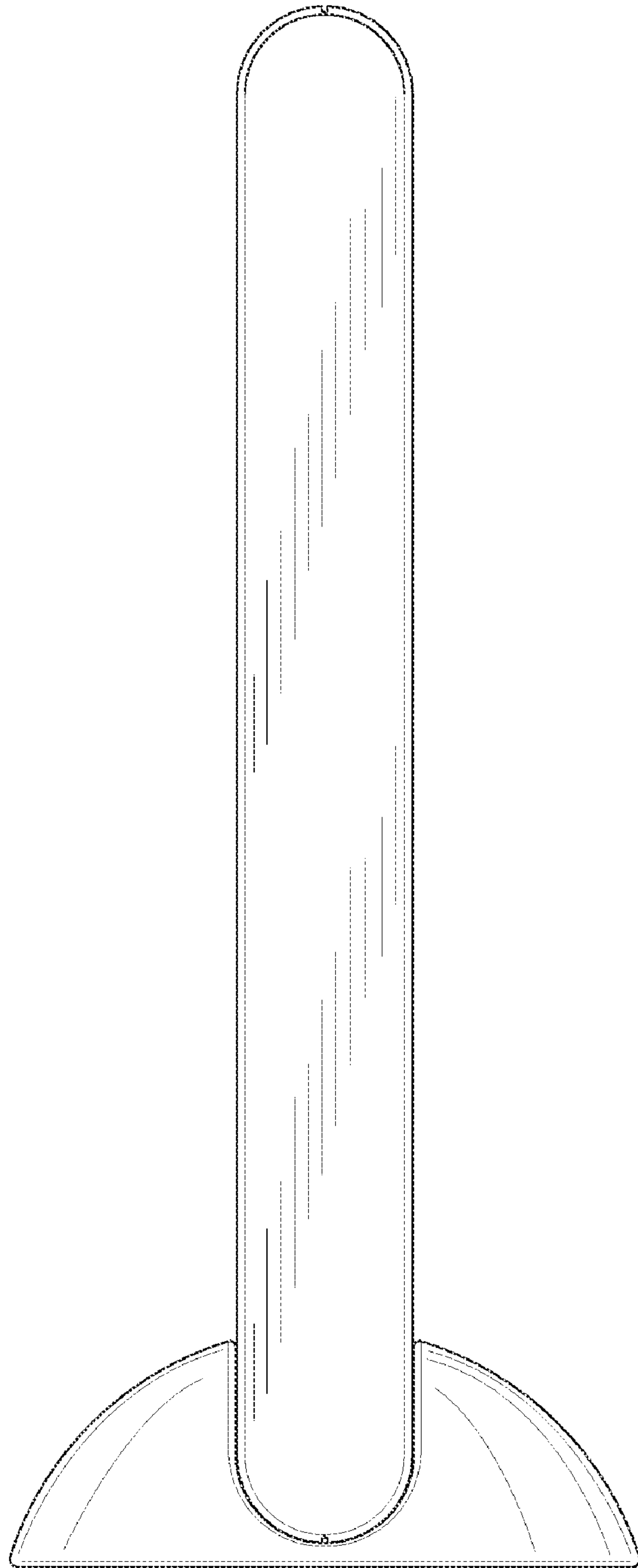


FIG. 6

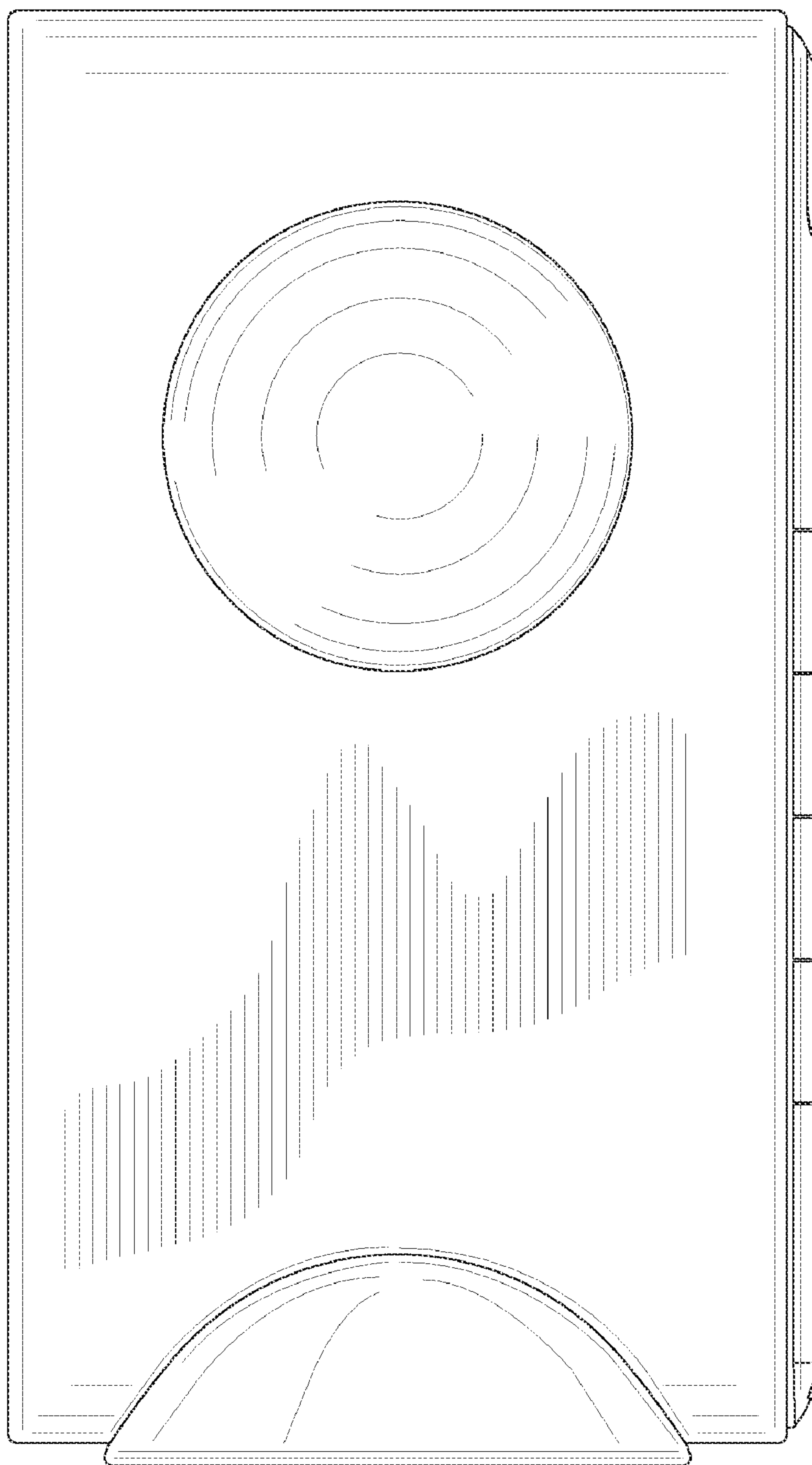


FIG. 7

