

US00D562373S

(12) **United States Design Patent**
Nakamura

(10) **Patent No.:** **US D562,373 S**
(45) **Date of Patent:** **** Feb. 19, 2008**

(54) **DIGITAL STILL CAMERA**

2005/0057685 A1* 3/2005 Yamaguchi 348/375

(75) Inventor: **Makoto Nakamura**, Kadoma (JP)

OTHER PUBLICATIONS

(73) Assignee: **Matsushita Electric Industrial Co., Ltd.**, Osaka (JP)

Panasonic Consumer Electronics Company, "2006 Digital Still Cameras", Apr. 2006, 4 pages.
Nakamura, U.S. Design Application entitled "Digital Still Camera," U.S. Appl. No. 29/270,730, filed Jan. 3, 2007.

(**) Term: **14 Years**

* cited by examiner

(21) Appl. No.: **29/270,729**

Primary Examiner—Adir Aronovich

(22) Filed: **Jan. 3, 2007**

(74) *Attorney, Agent, or Firm*—Brinks Hofer Gilson & Lione

(30) **Foreign Application Priority Data**

Jul. 6, 2006 (JP) 2006-017831

(57) **CLAIM**

(51) **LOC (8) Cl.** **16-01**

I claim the ornamental design for a digital still camera, as shown and described.

(52) **U.S. Cl.** **D16/202**

(58) **Field of Classification Search** D16/200–204,
D16/208, 218; 348/373–376; 358/909.1;
396/535–541

DESCRIPTION

See application file for complete search history.

FIG. 1 is a front, top and right side perspective view of a digital still camera of the present invention;

FIG. 2 is rear, top and left side perspective view thereof;

FIG. 3 is a front view thereof;

FIG. 4 is a rear view thereof;

FIG. 5 is a left side view thereof;

FIG. 6 is a right side view thereof;

FIG. 7 is a top view thereof; and,

FIG. 8 is a bottom view thereof.

(56) **References Cited**

U.S. PATENT DOCUMENTS

D496,380 S	9/2004	Isomoto	
D516,599 S	3/2006	Nakamura	
D533,574 S	* 12/2006	Hamamura D16/202
D533,886 S	* 12/2006	Shimizu D16/202
D535,314 S	* 1/2007	Chang D16/202
D537,093 S	* 2/2007	Nakamura D16/202
D548,257 S	* 8/2007	Onuma et al. D16/202
D550,737 S	* 9/2007	Yoshida D16/202

1 Claim, 4 Drawing Sheets

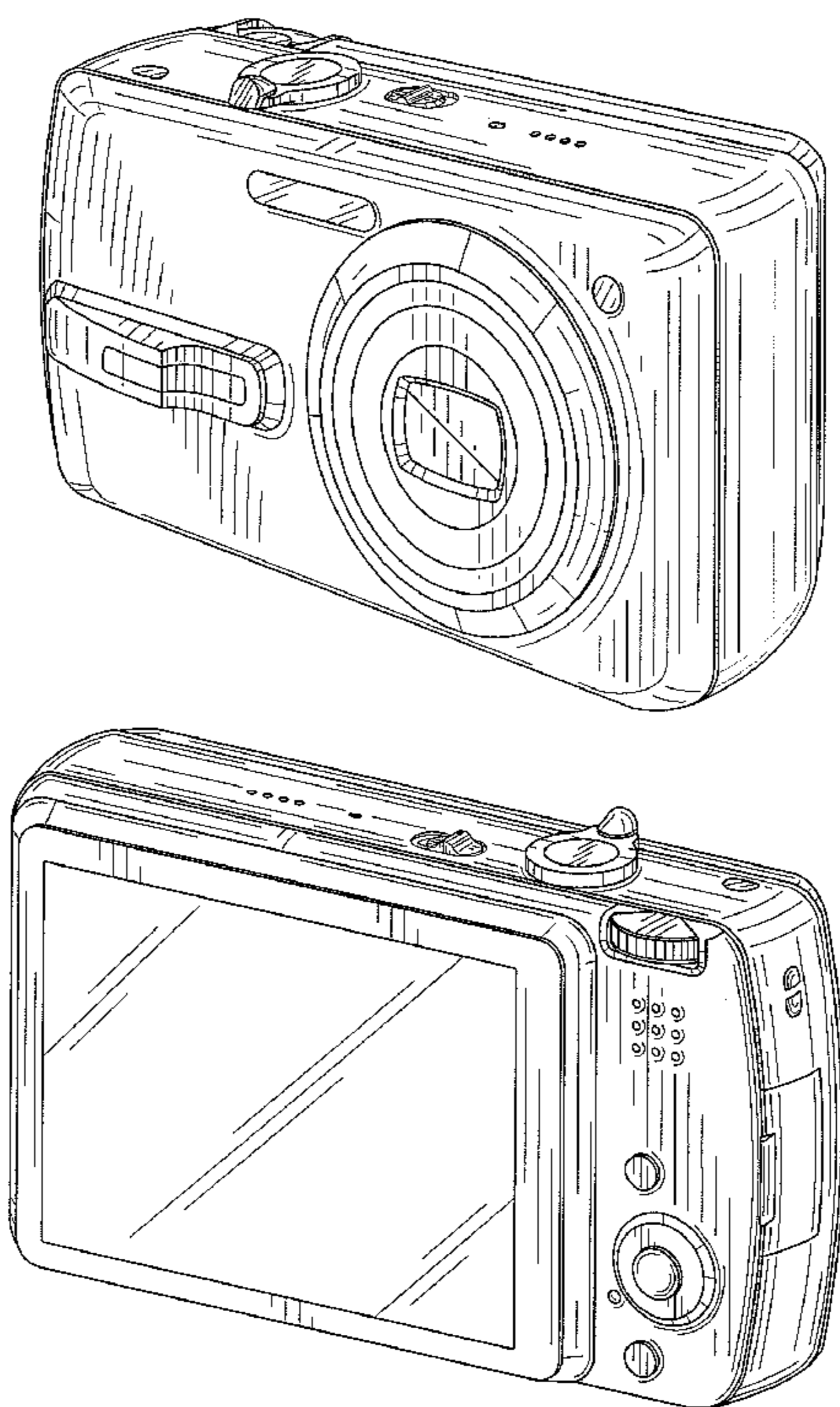


FIG.1

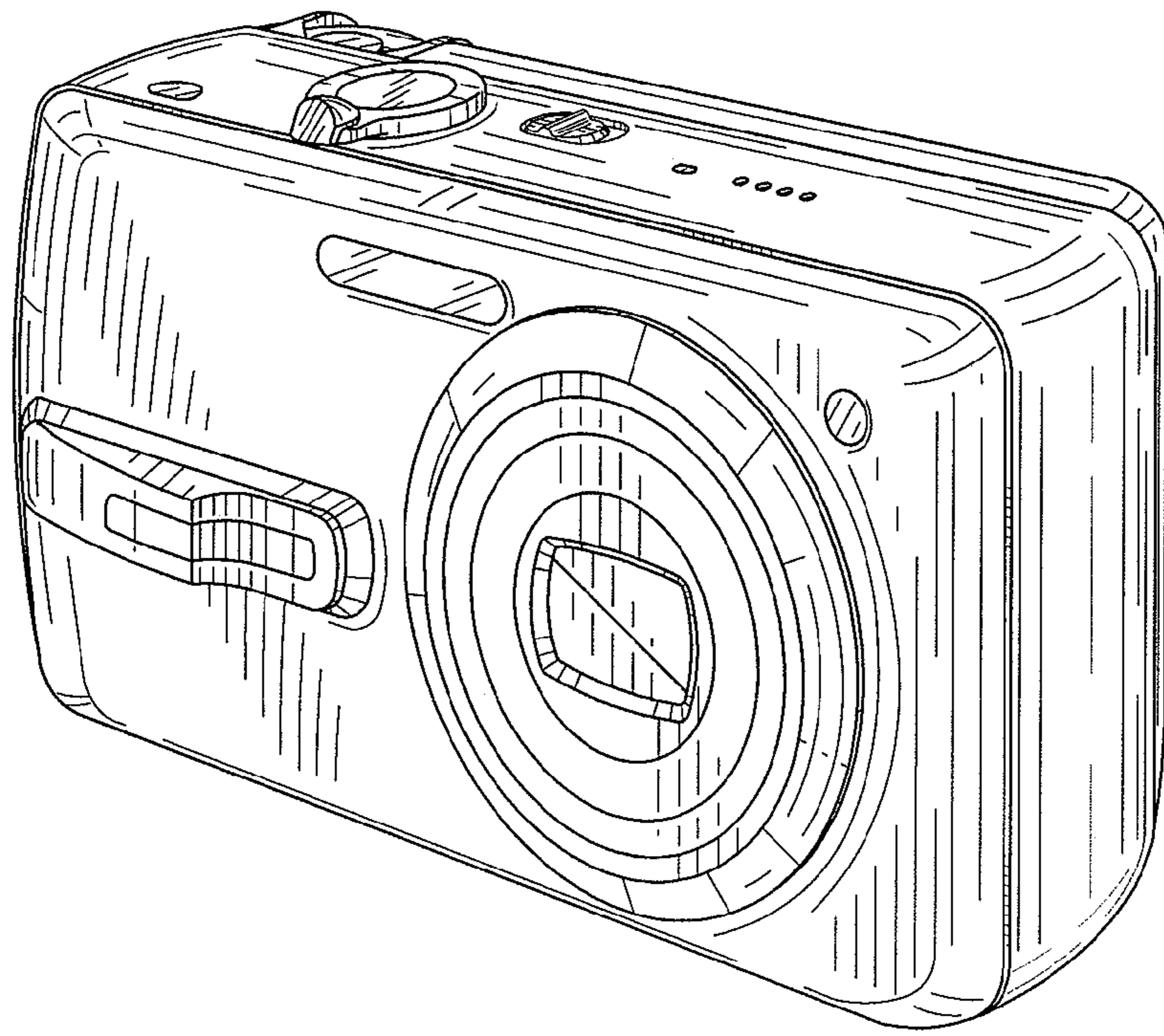


FIG.2

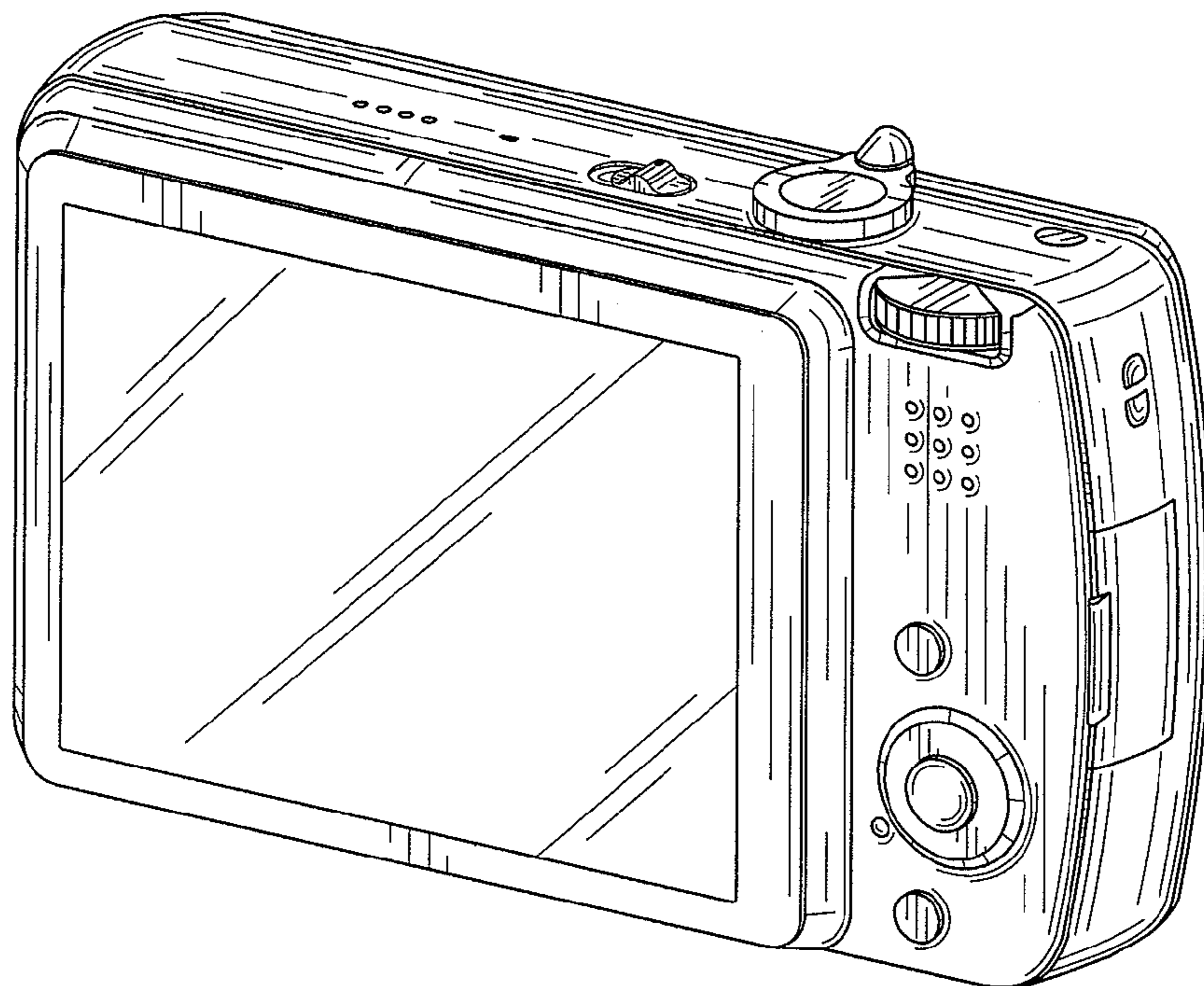


FIG.3

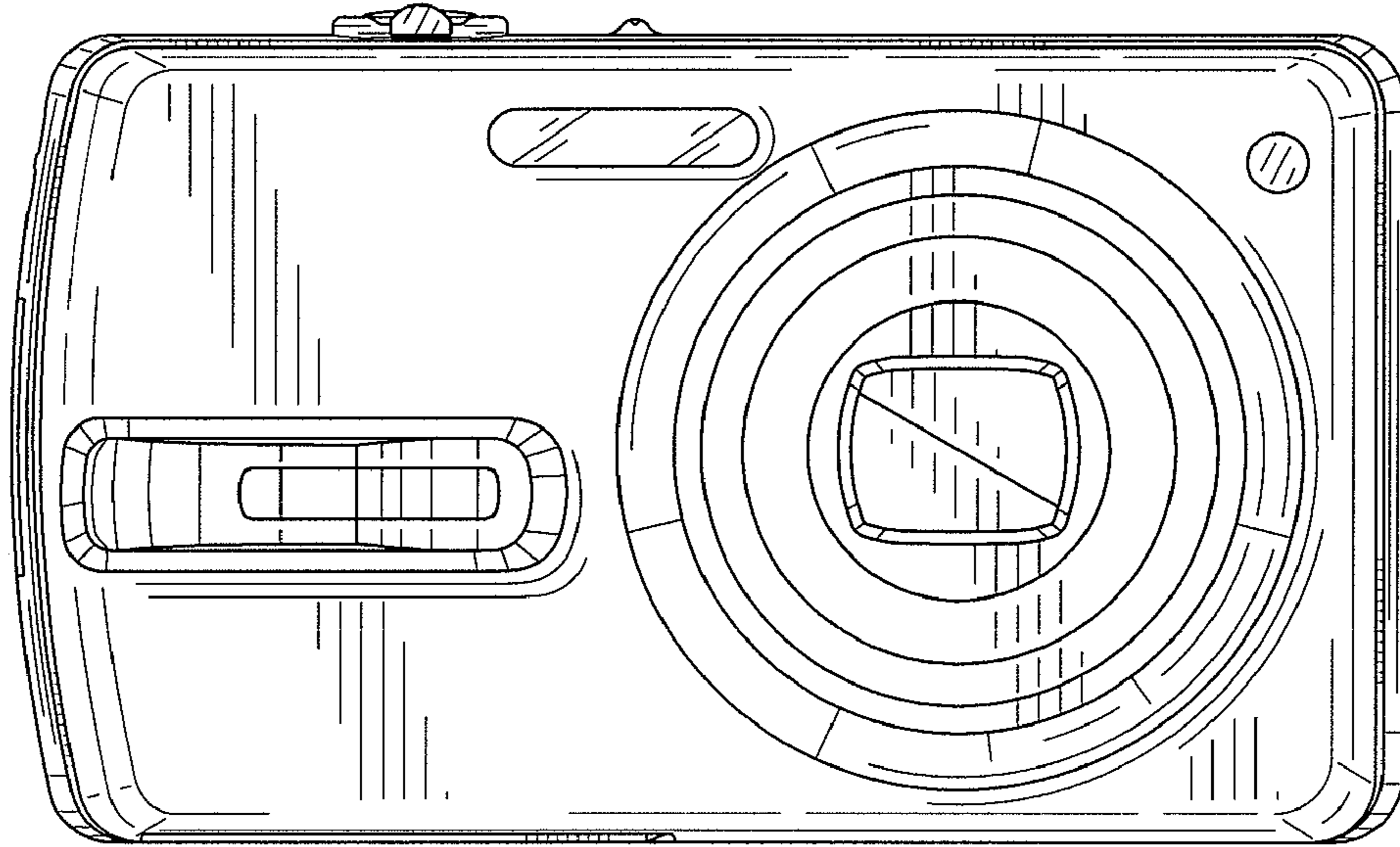


FIG.4

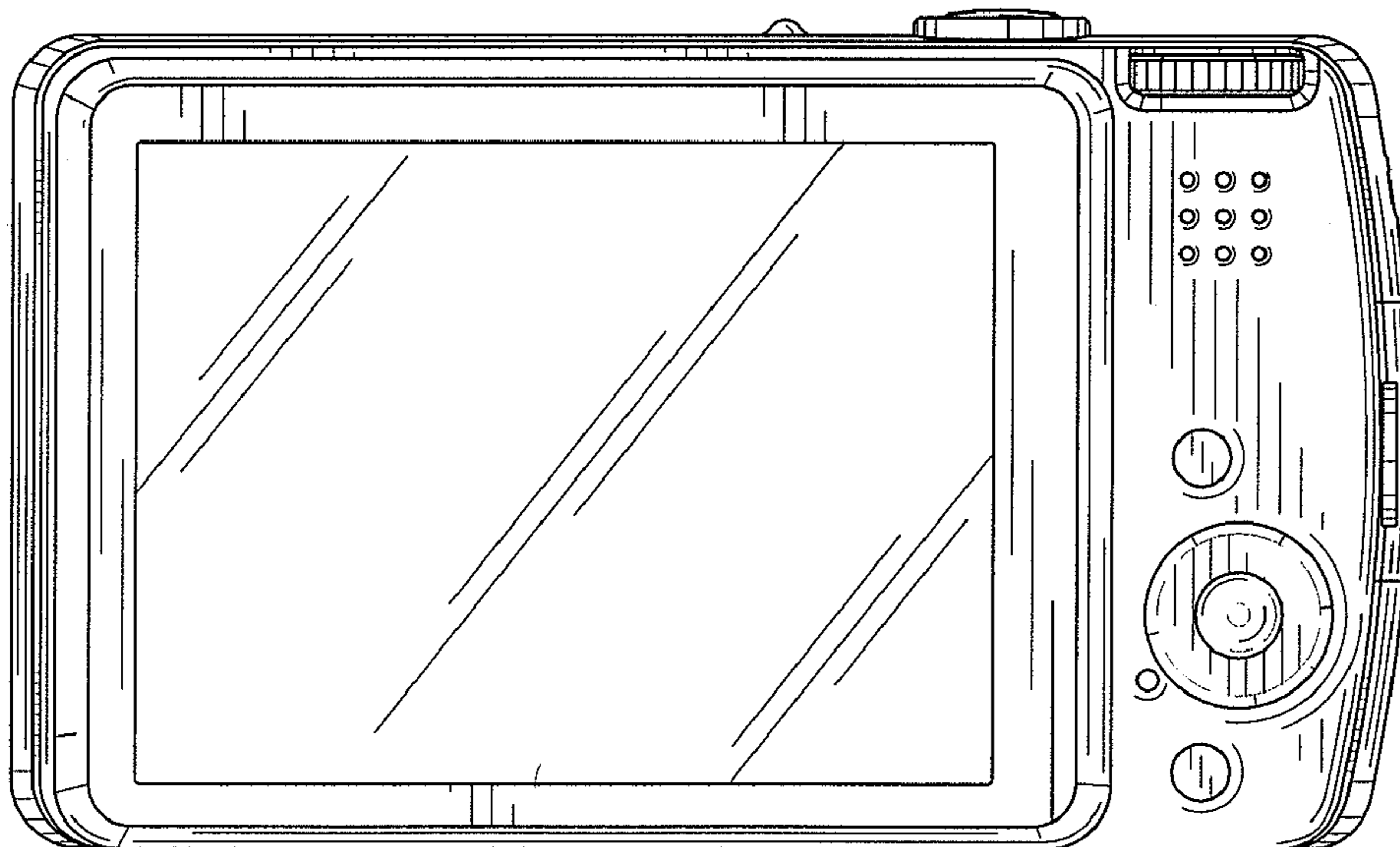


FIG.5

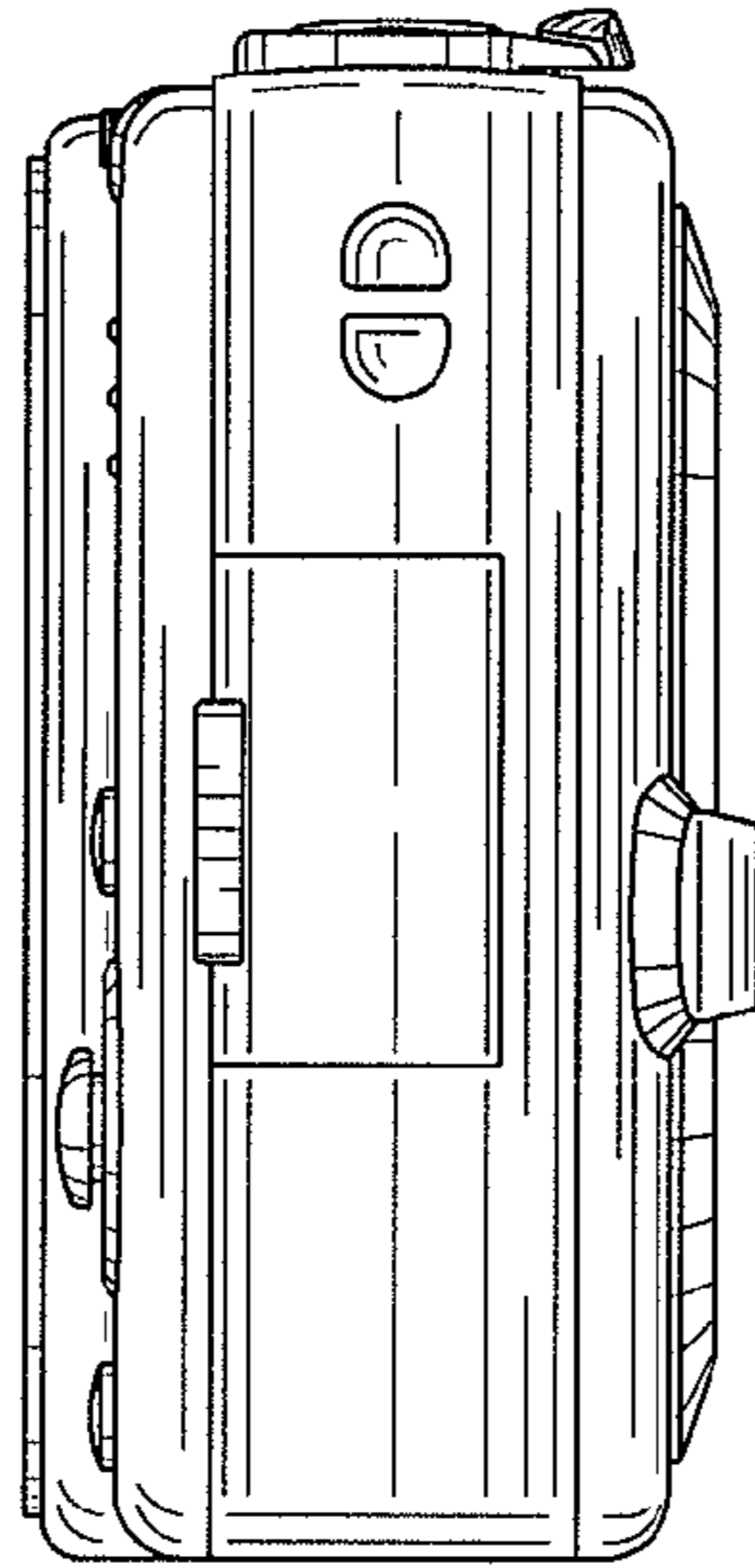


FIG.6

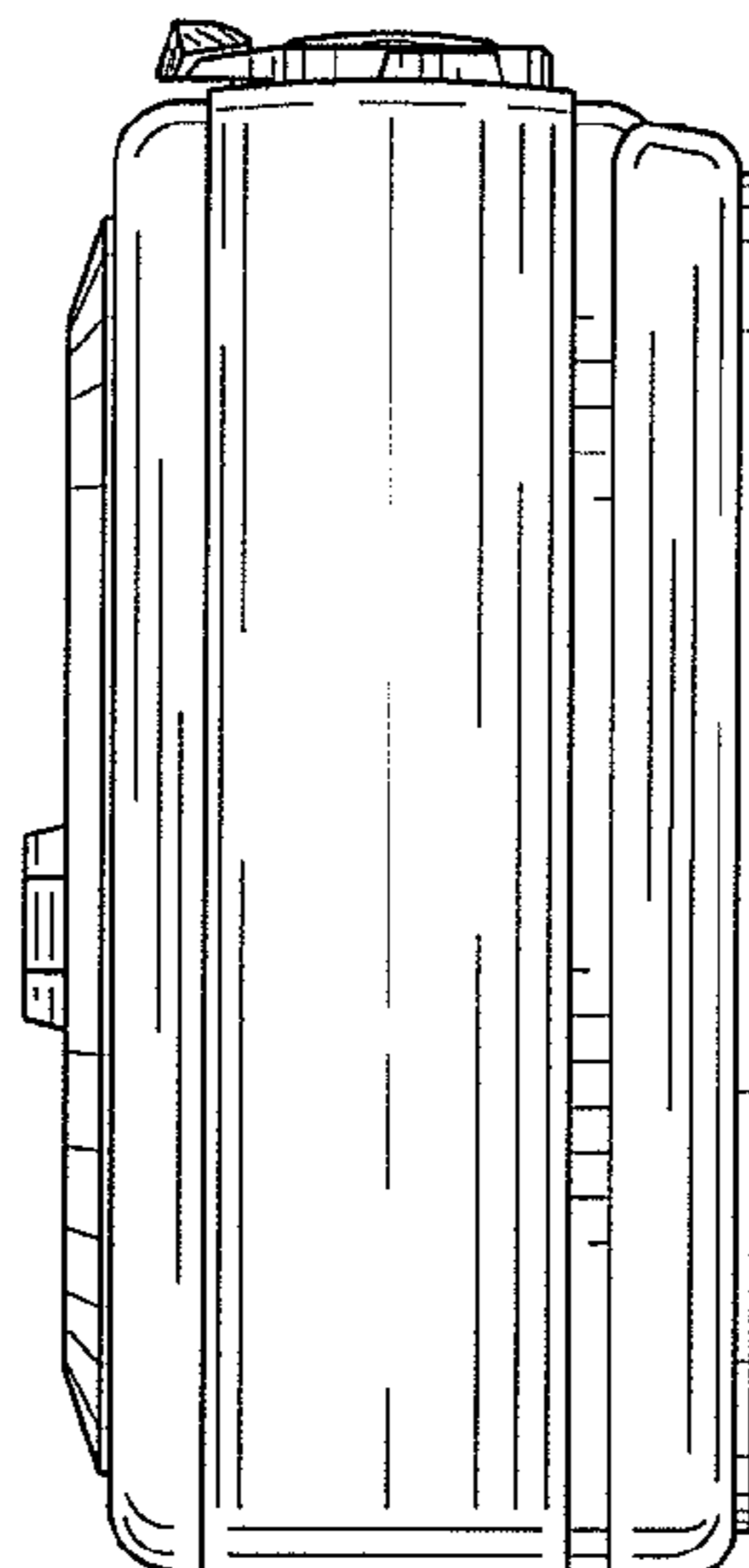


FIG.7

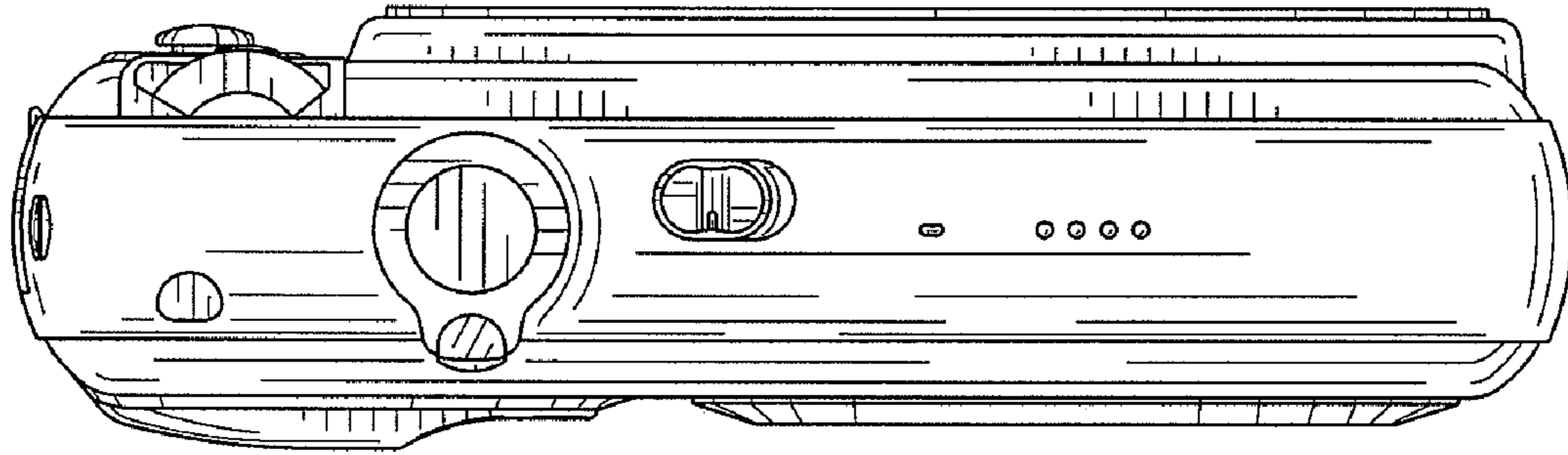


FIG.8

