



US00D562372S

(12) **United States Design Patent**
Takahashi

(10) **Patent No.:** **US D562,372 S**

(45) **Date of Patent:** **** Feb. 19, 2008**

(54) **VIDEO CAMERA**

(75) Inventor: **Hitoshi Takahashi**, Tokyo (JP)

(73) Assignee: **Sony Corporation**, Tokyo (JP)

(**) Term: **14 Years**

(21) Appl. No.: **29/268,301**

(22) Filed: **Nov. 3, 2006**

(51) **LOC (8) Cl.** **16-01**

(52) **U.S. Cl.** **D16/202**

(58) **Field of Classification Search** D16/200–205,
D16/208, 218; 348/14.01–14.1, 373–376;
358/909.1; 396/535–541

See application file for complete search history.

(56) **References Cited**

U.S. PATENT DOCUMENTS

D386,505 S	11/1997	Maeyama	
D400,549 S *	11/1998	Wakefield	D16/202
D433,431 S	11/2000	Uehara et al.	
D458,289 S	6/2002	Ogura	
D470,873 S *	2/2003	Hovanky et al.	D16/202
D471,219 S *	3/2003	Hovanky et al.	D16/202
D471,573 S *	3/2003	Hovanky et al.	D16/202
D487,475 S	3/2004	Uehara	
D497,925 S *	11/2004	Zhang et al.	D16/202
D540,358 S *	4/2007	Orbach	D16/202

2006/0104633 A1* 5/2006 Kenoyer et al. 396/428

OTHER PUBLICATIONS

Web page Press release “EVI-D30” http://www.sony.co.jp/SonyInfo/News/Press_Archive/199603/96B-040/, 3 sheets, Sony (Jun. 2006).

Web page “List of security camera” <http://www.securityproshop.com/>, 14 sheets, SecurityProShop.com (May 2006).

* cited by examiner

Primary Examiner—Adir Aronovich

(74) *Attorney, Agent, or Firm*—Rader, Fishman & Grauer, PLLC

(57) **CLAIM**

The ornamental design for a video camera, as shown.

DESCRIPTION

FIG. 1 is a perspective view of a video camera showing my new design;

FIG. 2 is a front elevational view thereof;

FIG. 3 is a rear elevational view thereof;

FIG. 4 is a left side elevational view thereof;

FIG. 5 is a right side elevational view thereof;

FIG. 6 is a top plan view thereof; and,

FIG. 7 is a bottom plan view thereof.

1 Claim, 7 Drawing Sheets

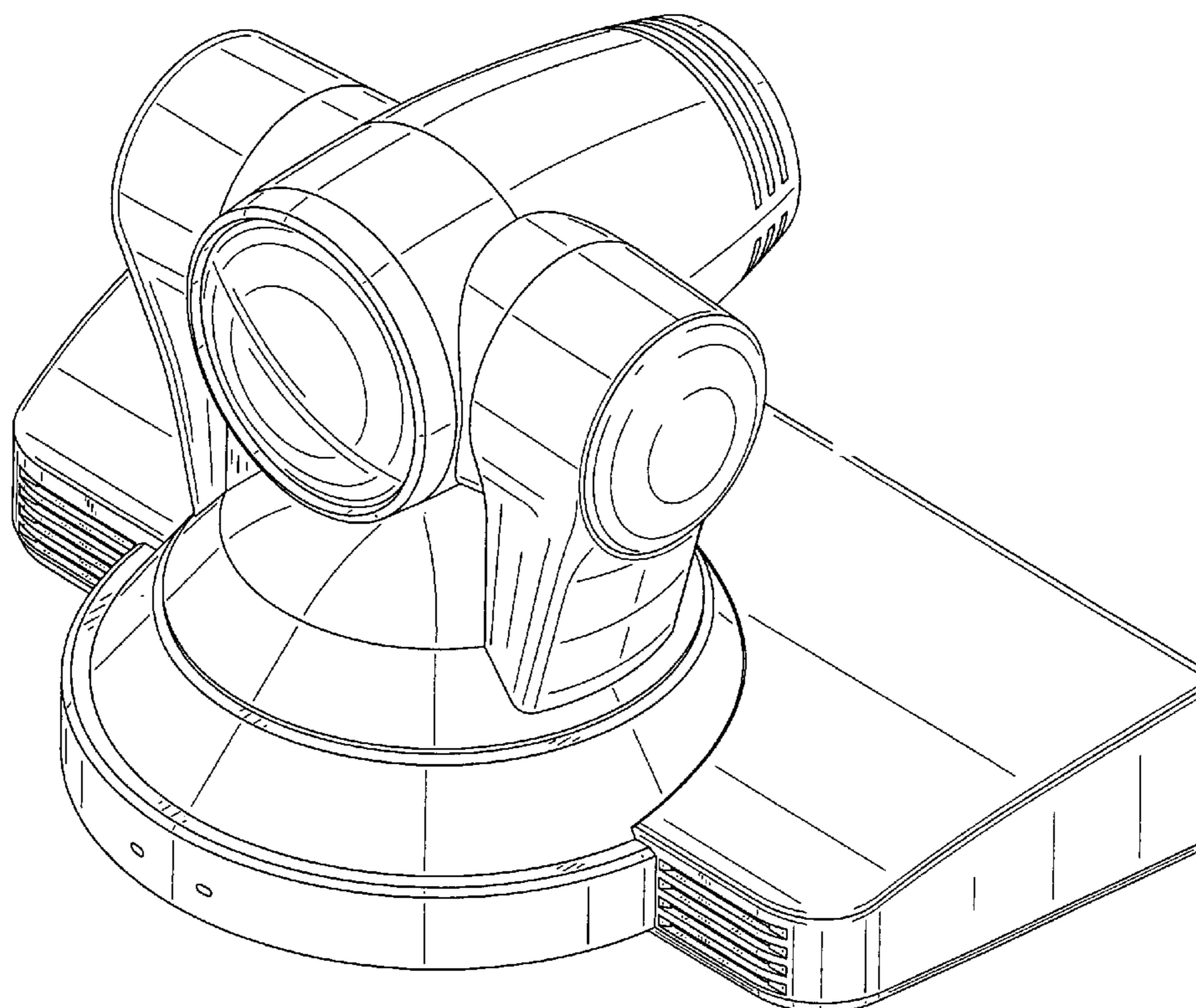


Fig. 1

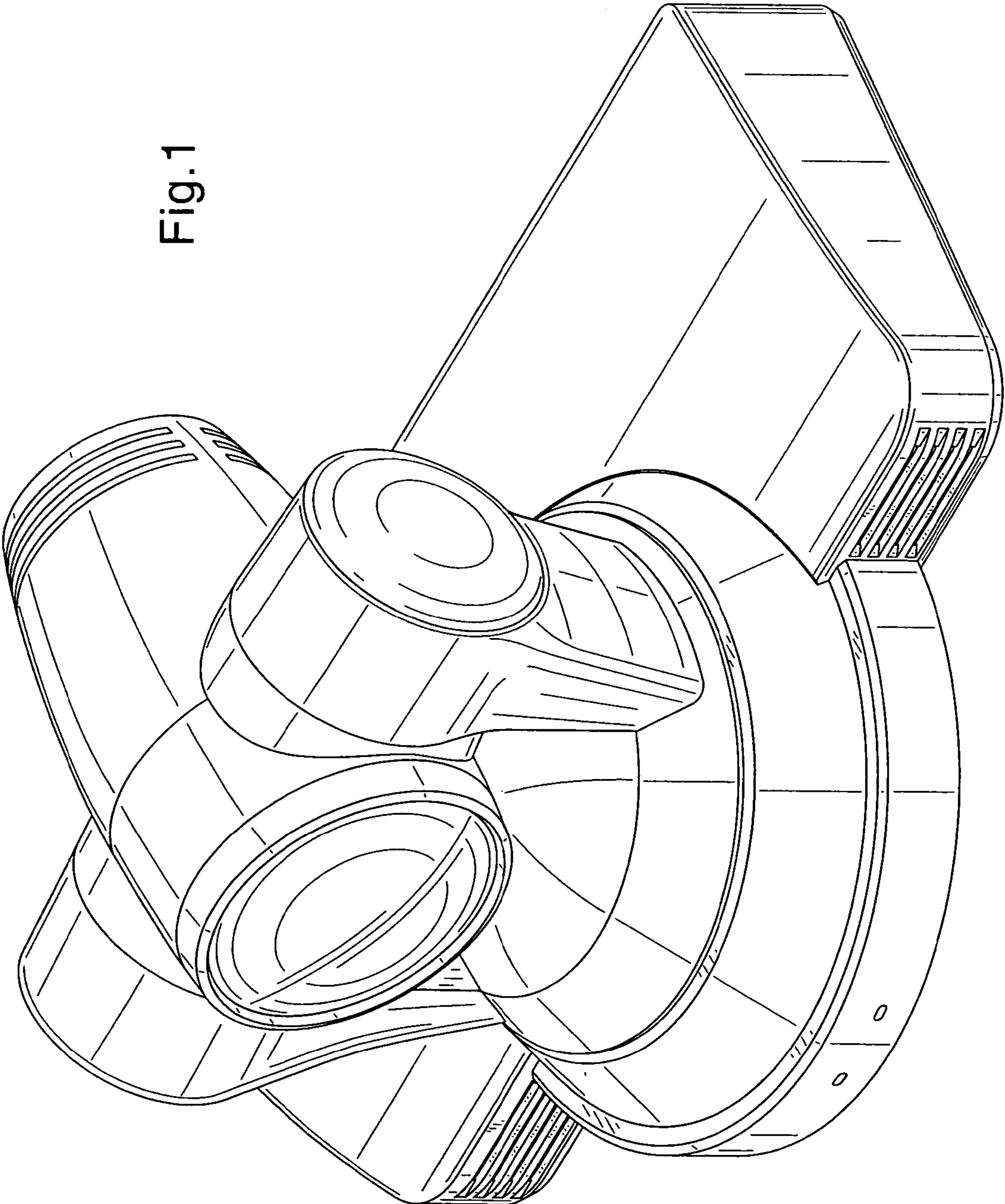


Fig.2

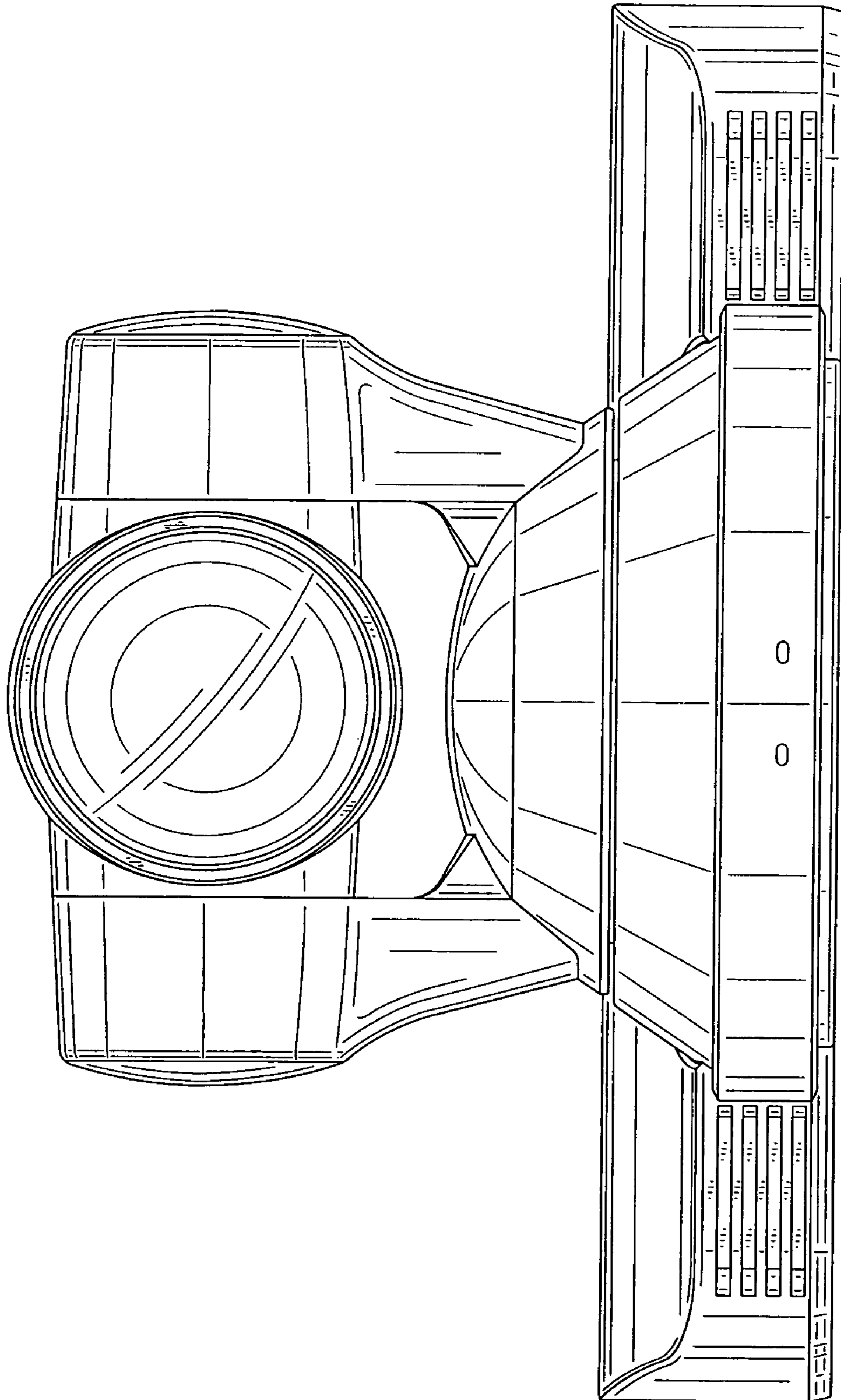


Fig.3

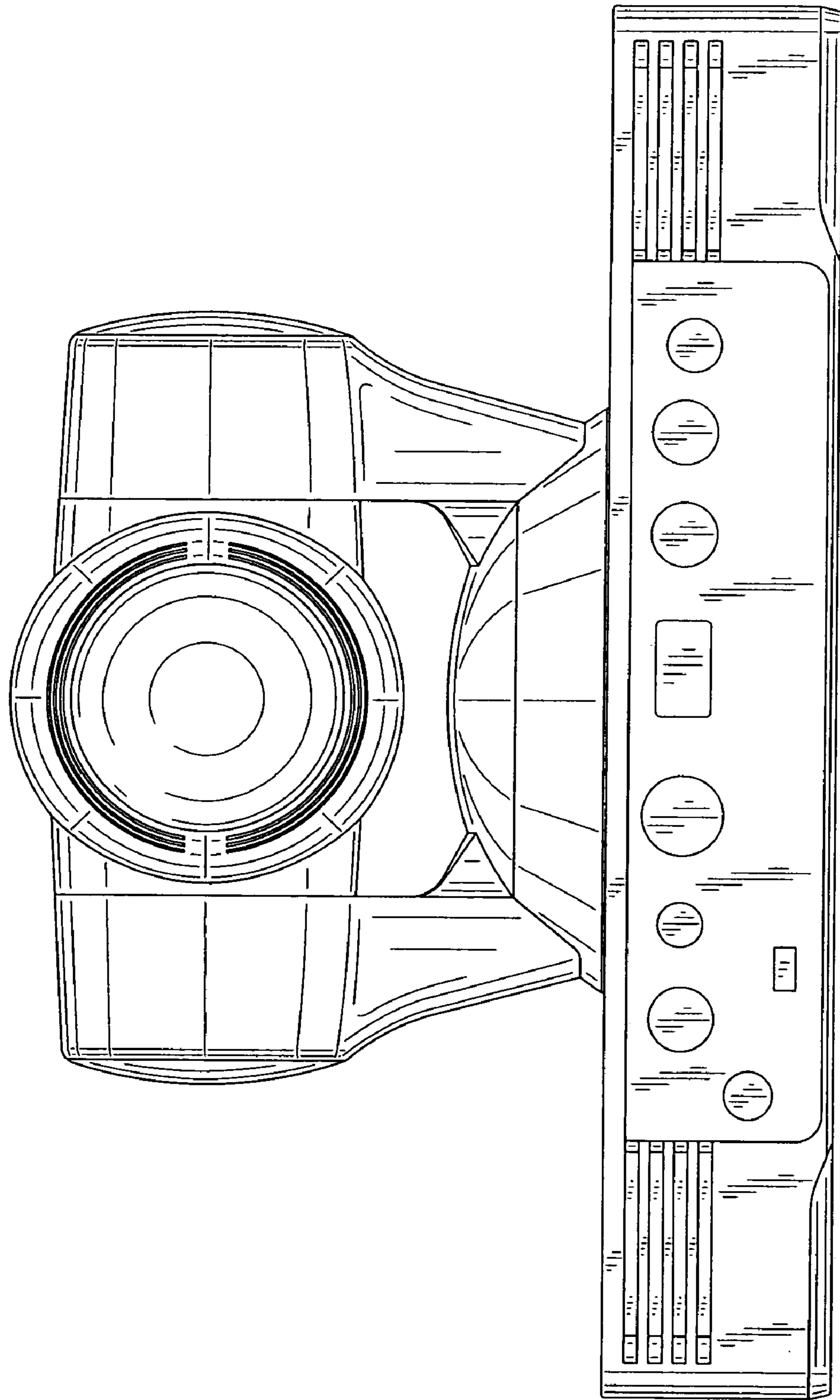


Fig.4

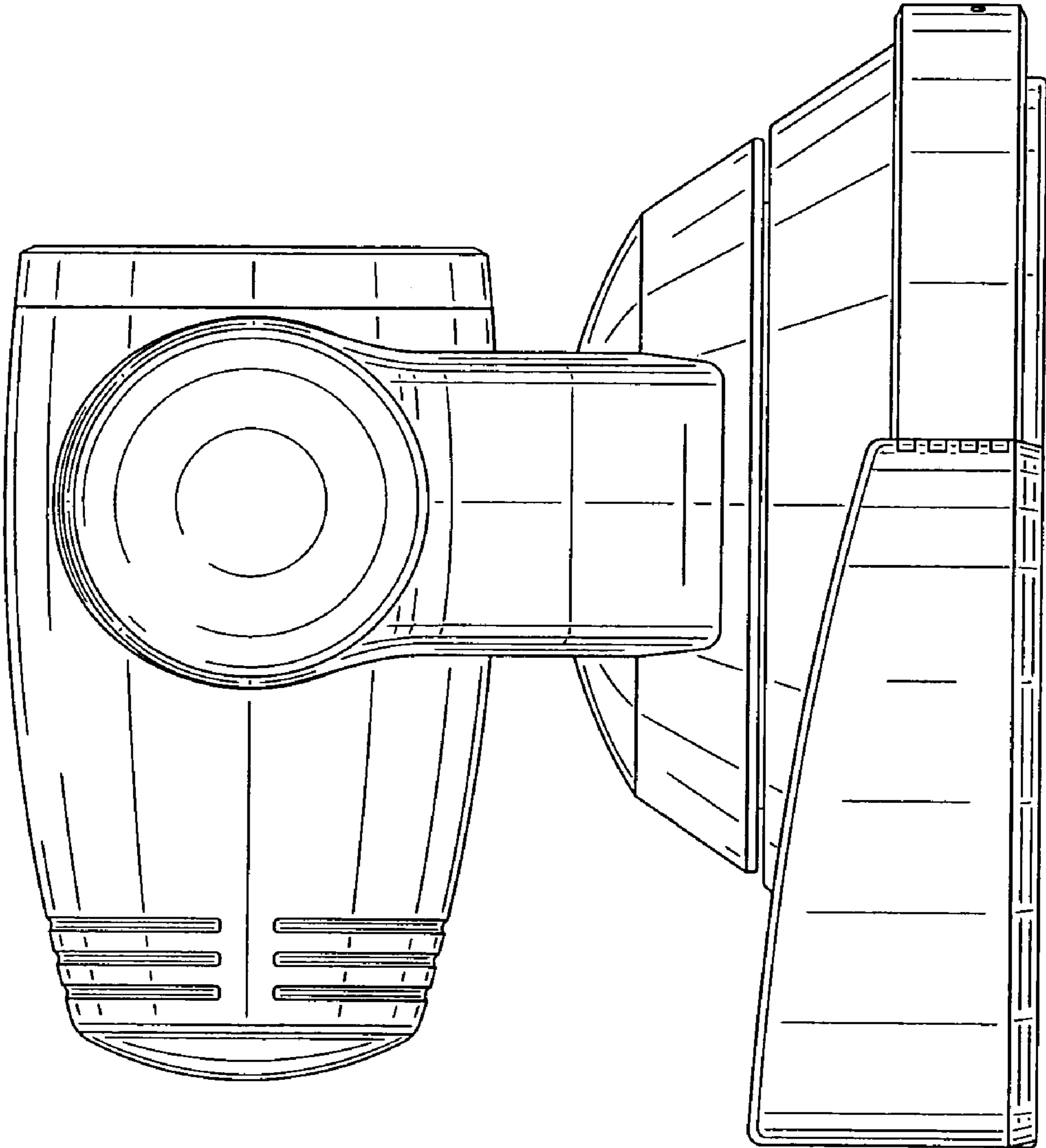


Fig.5

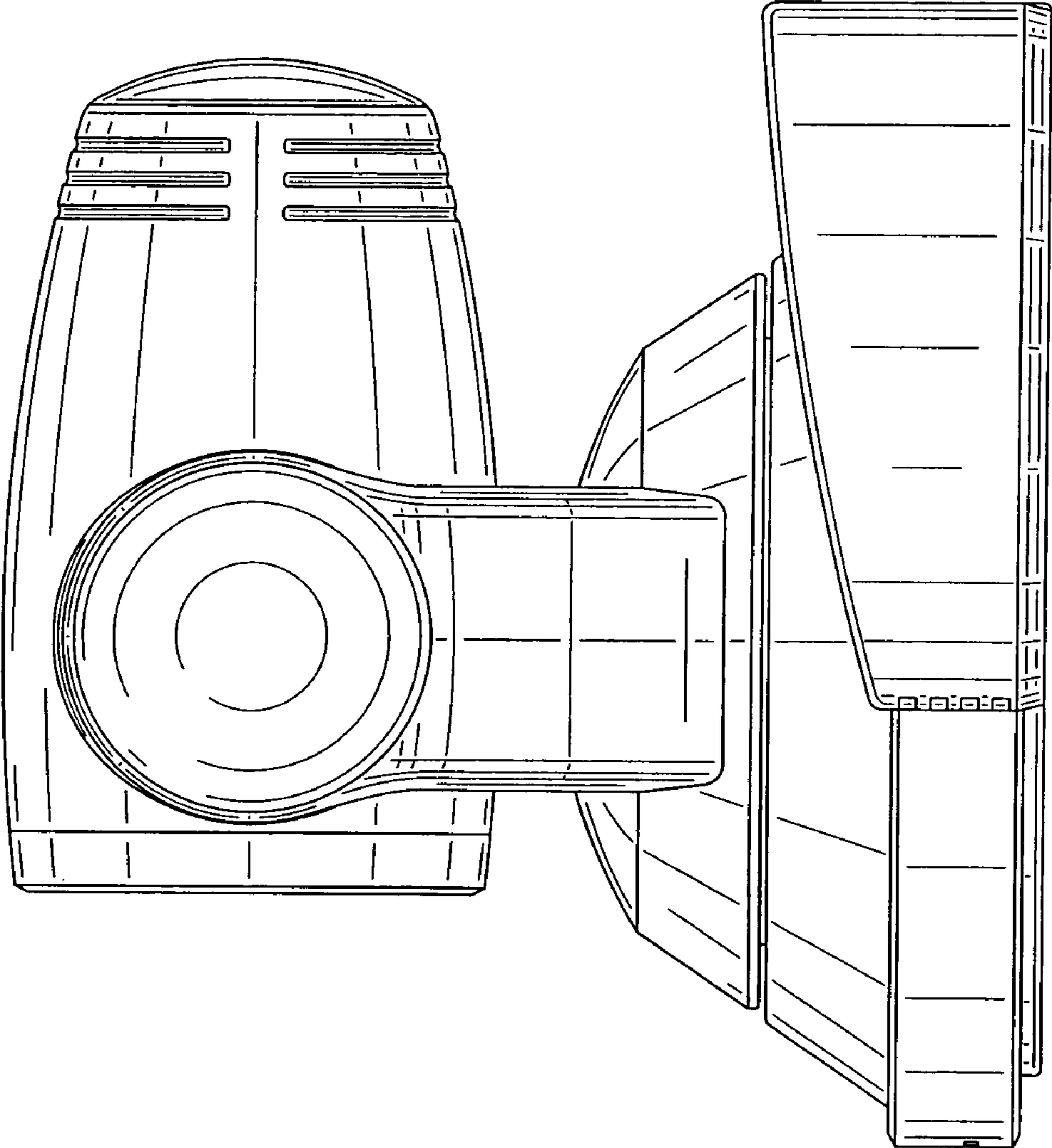


Fig.6

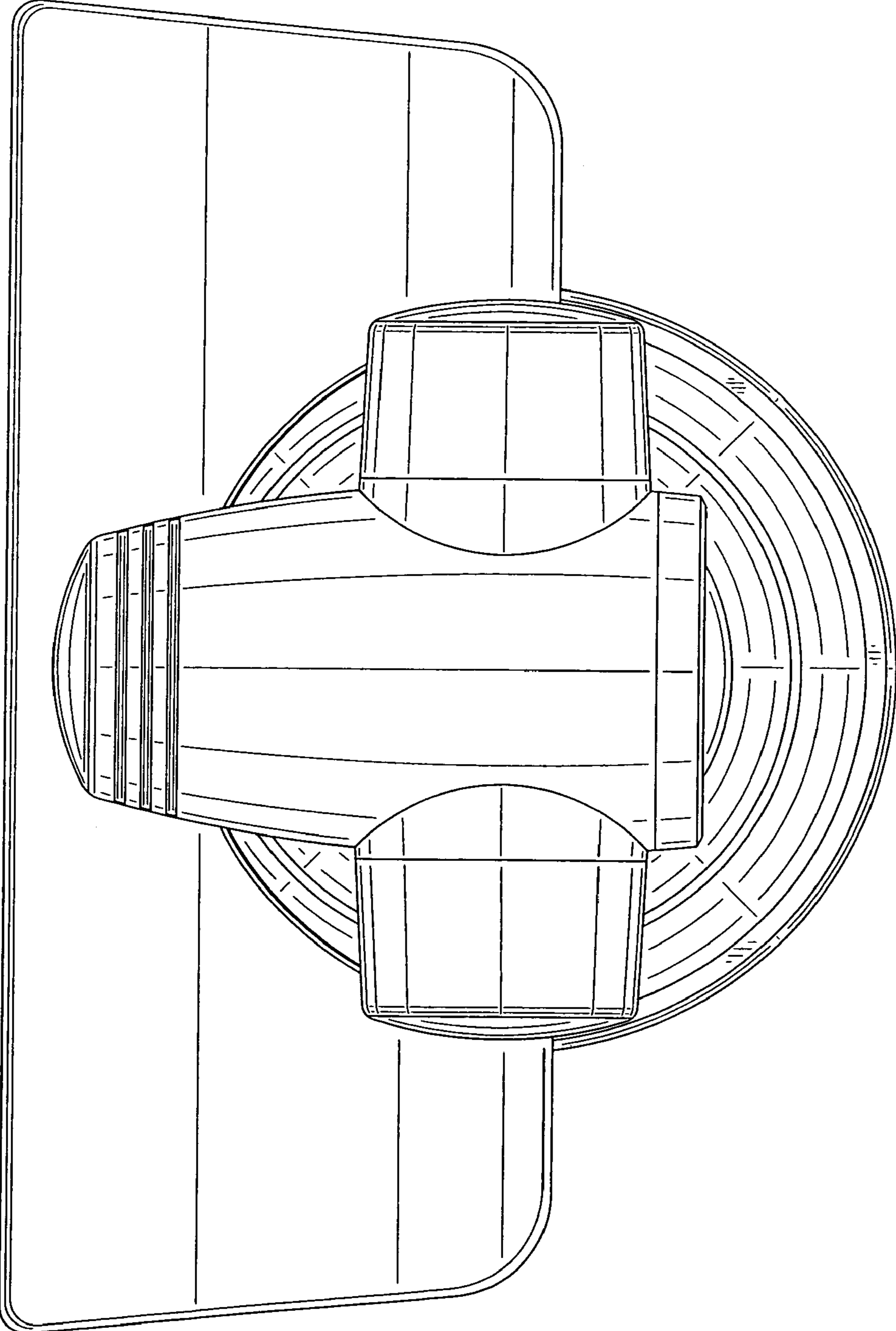


Fig.7

