



US00D562369S

(12) **United States Design Patent**
Okamoto et al.

(10) **Patent No.:** **US D562,369 S**

(45) **Date of Patent:** **** Feb. 19, 2008**

(54) **TABLET SUPPLYING MACHINE**

(75) Inventors: **Yasutoshi Okamoto**, Osaku-fu (JP);
Akihiro Mochizuki, Osaka-fu (JP)

(73) Assignee: **Sanyo Electric Co.**, Osaku-fu (JP)

(**) Term: **14 Years**

(21) Appl. No.: **29/276,798**

(22) Filed: **Feb. 6, 2007**

(51) **LOC (8) Cl.** **15-09**

(52) **U.S. Cl.** **D15/145**

(58) **Field of Classification Search** D6/445;
D10/97; D15/145, 146, 199; D20/4; 53/131.4,
53/167, 202, 279, 284.5, 284.7, 370.7, 370.9,
53/381.1, 426, 550, 563, 565; 493/184
See application file for complete search history.

(56) **References Cited**

U.S. PATENT DOCUMENTS

D264,723 S *	6/1982	Tsujimoto	D15/145
D301,890 S *	6/1989	Silbersky	D15/145
D332,105 S *	12/1992	Perry et al.	D10/97
D347,646 S *	6/1994	Mayberry	D15/199
D349,505 S *	8/1994	Hill et al.	D15/145
5,444,961 A *	8/1995	Doane et al.	53/131.4
5,819,500 A *	10/1998	Haraguchi et al.	53/550

D409,248 S *	5/1999	Ogomori et al.	D20/4
D433,041 S *	10/2000	Hill et al.	D15/145
D517,438 S *	3/2006	Sato et al.	D10/97
D518,497 S *	4/2006	Muraoka et al.	D15/199
D545,854 S *	7/2007	Sato et al.	D15/145

* cited by examiner

Primary Examiner—Gary D. Watson

Assistant Examiner—Patricia Palasik

(74) *Attorney, Agent, or Firm*—McHale & Slavin, P.A.

(57) **CLAIM**

The ornamental design for a tablet supplying machine, as shown.

DESCRIPTION

FIG. 1 is a front view of a tablet supplying machine

FIG. 2 is a rear view thereof;

FIG. 3 is a top view thereof;

FIG. 4 is a bottom view thereof;

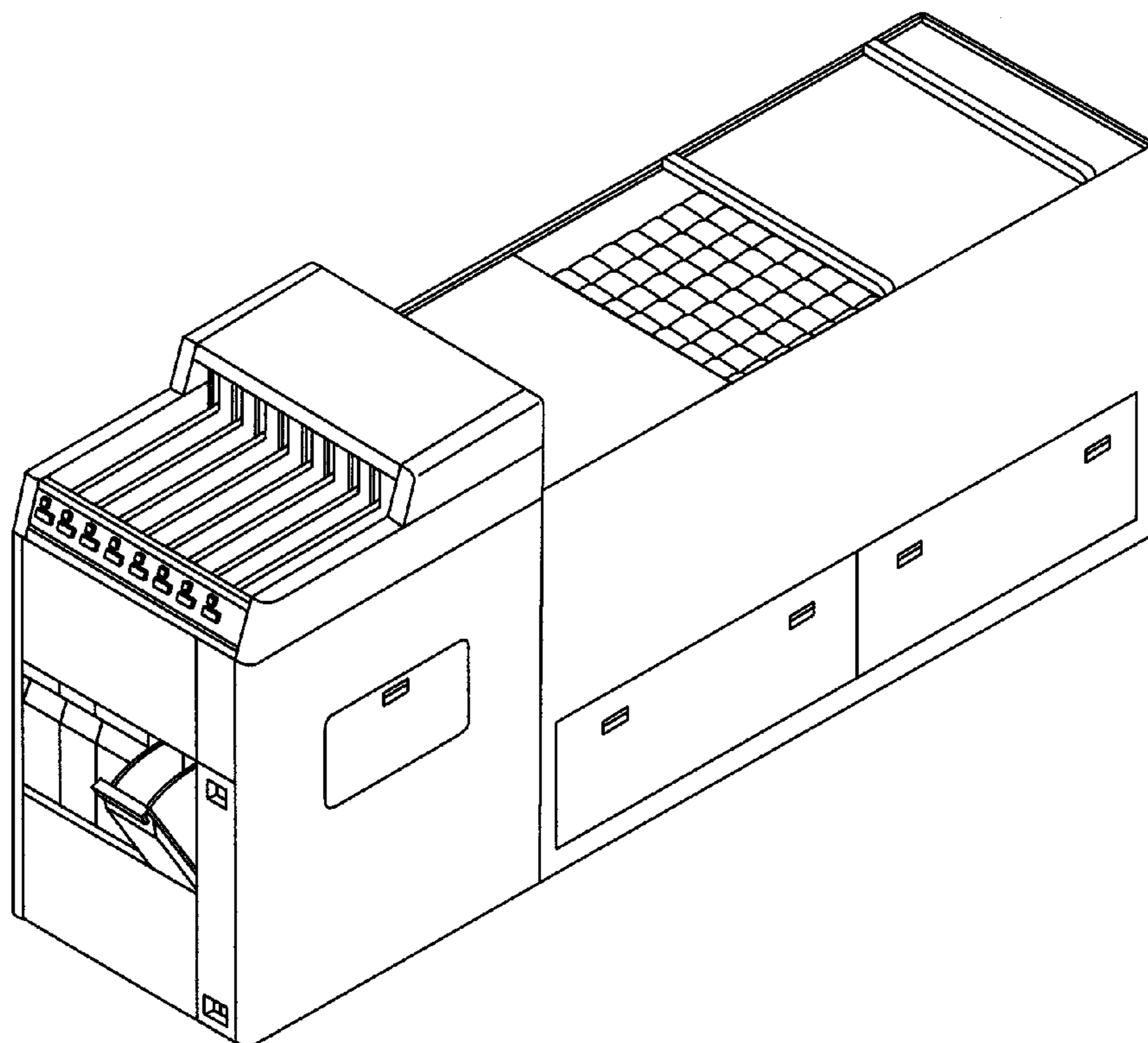
FIG. 5 is a right-side view thereof;

FIG. 6 is a left-side view thereof;

FIG. 7 is a perspective view thereof; and,

FIG. 8 is a perspective view showing the state of opening of takeout portion.

1 Claim, 6 Drawing Sheets



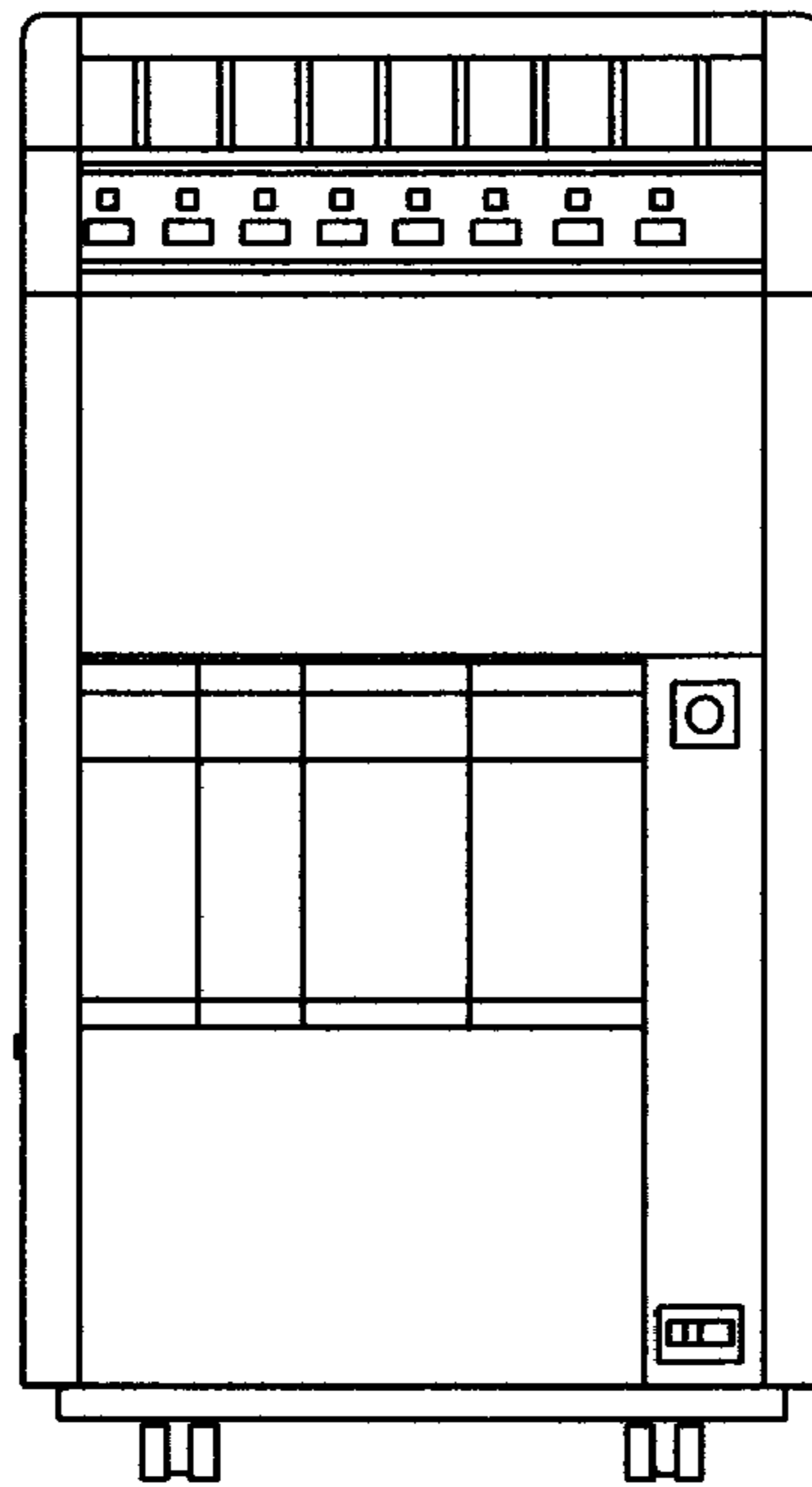


FIG. 1

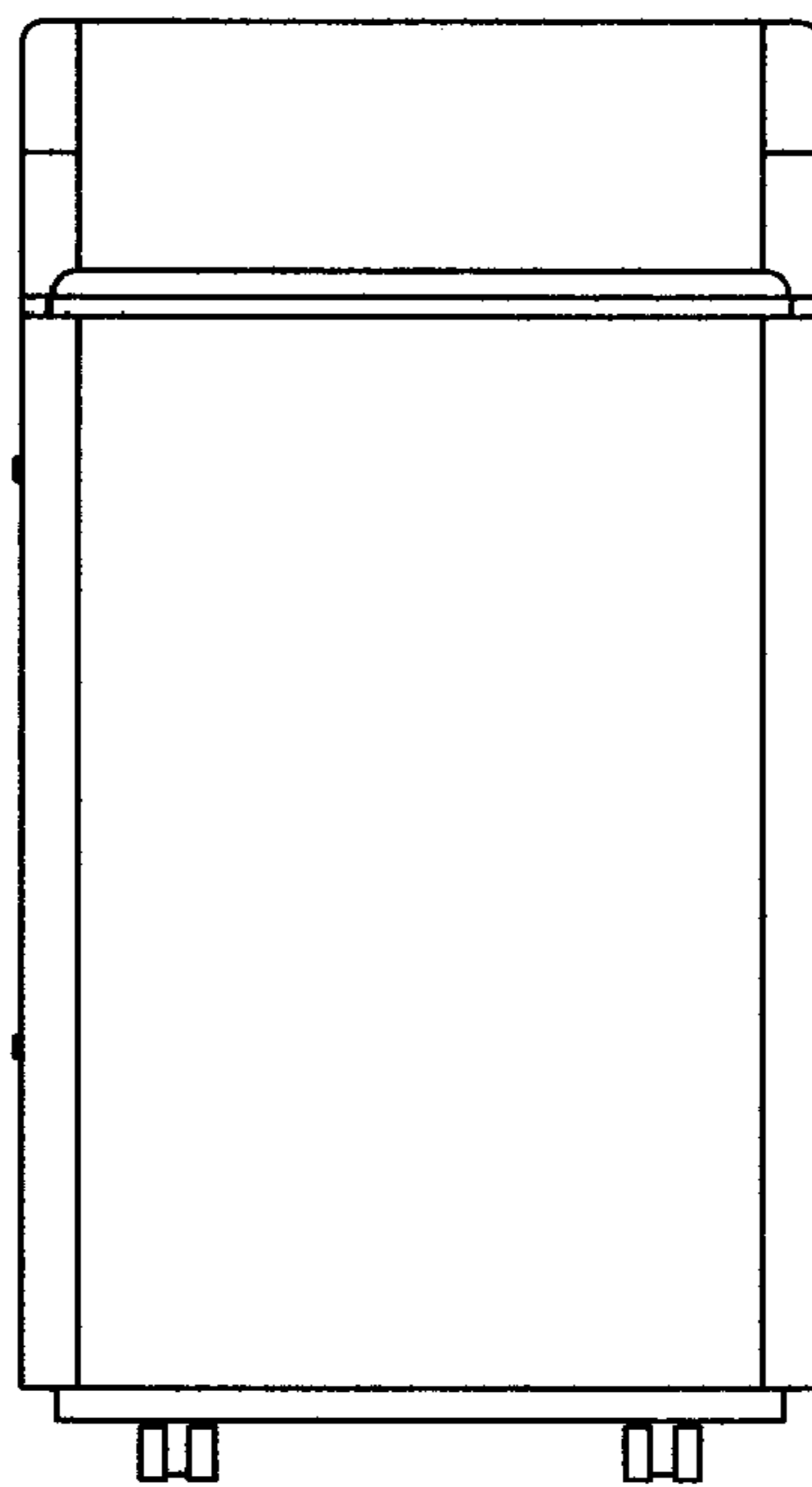


FIG. 2

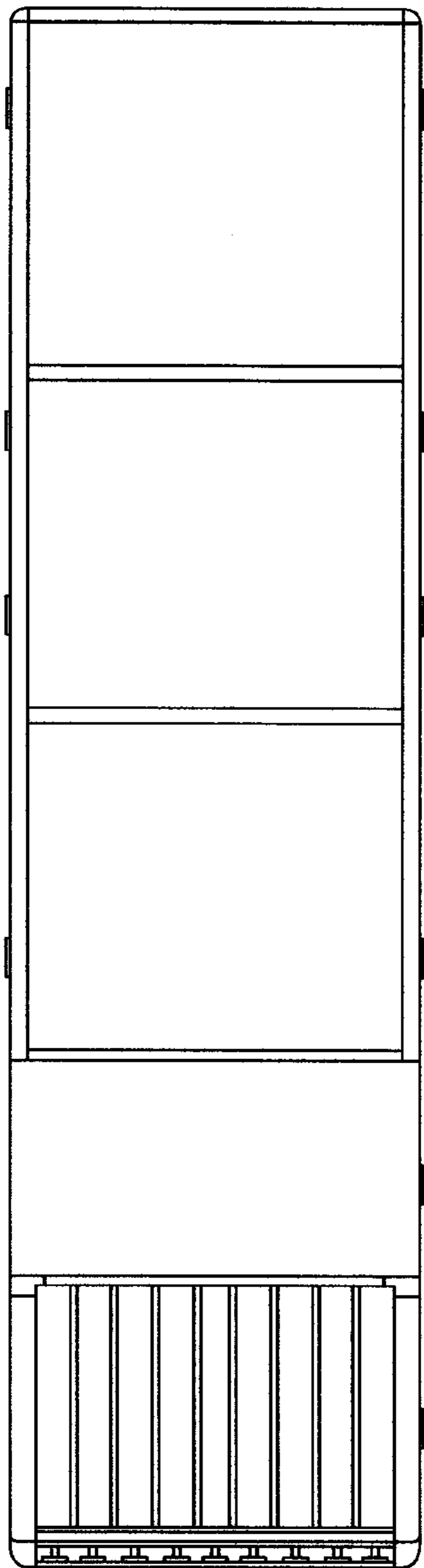


FIG. 3

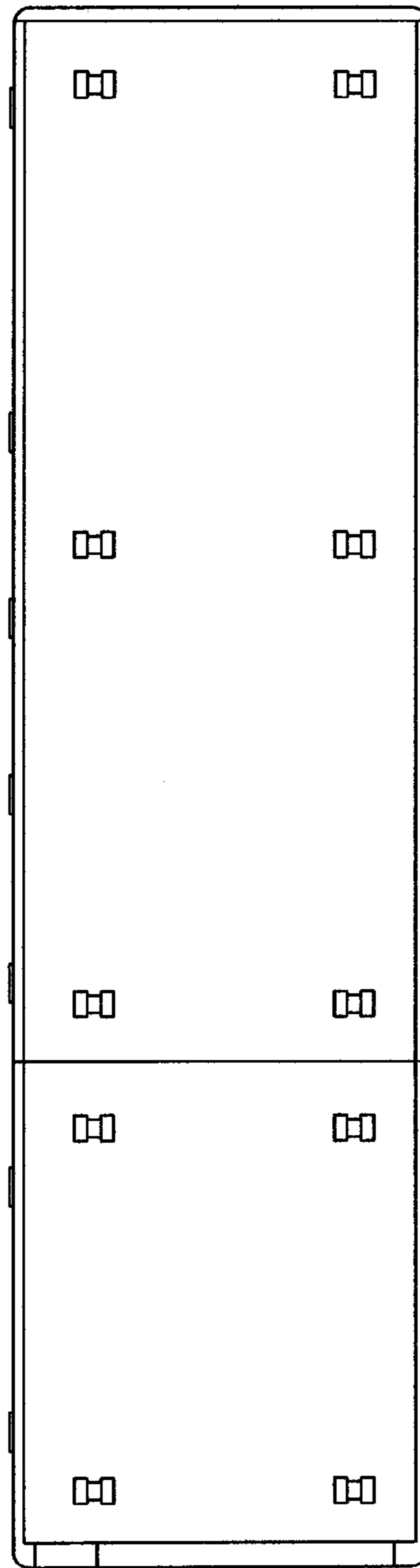


FIG. 4

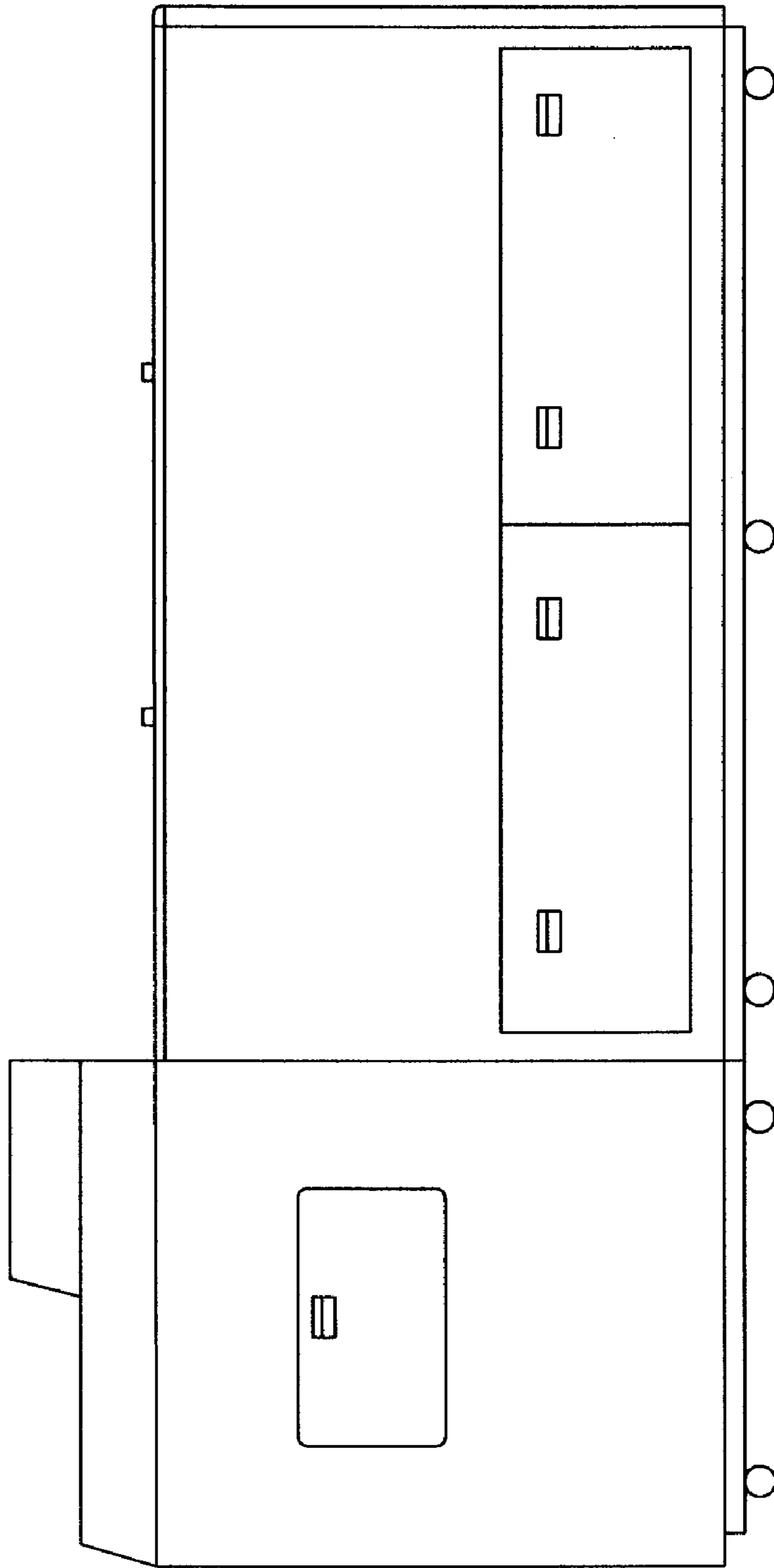


FIG. 5

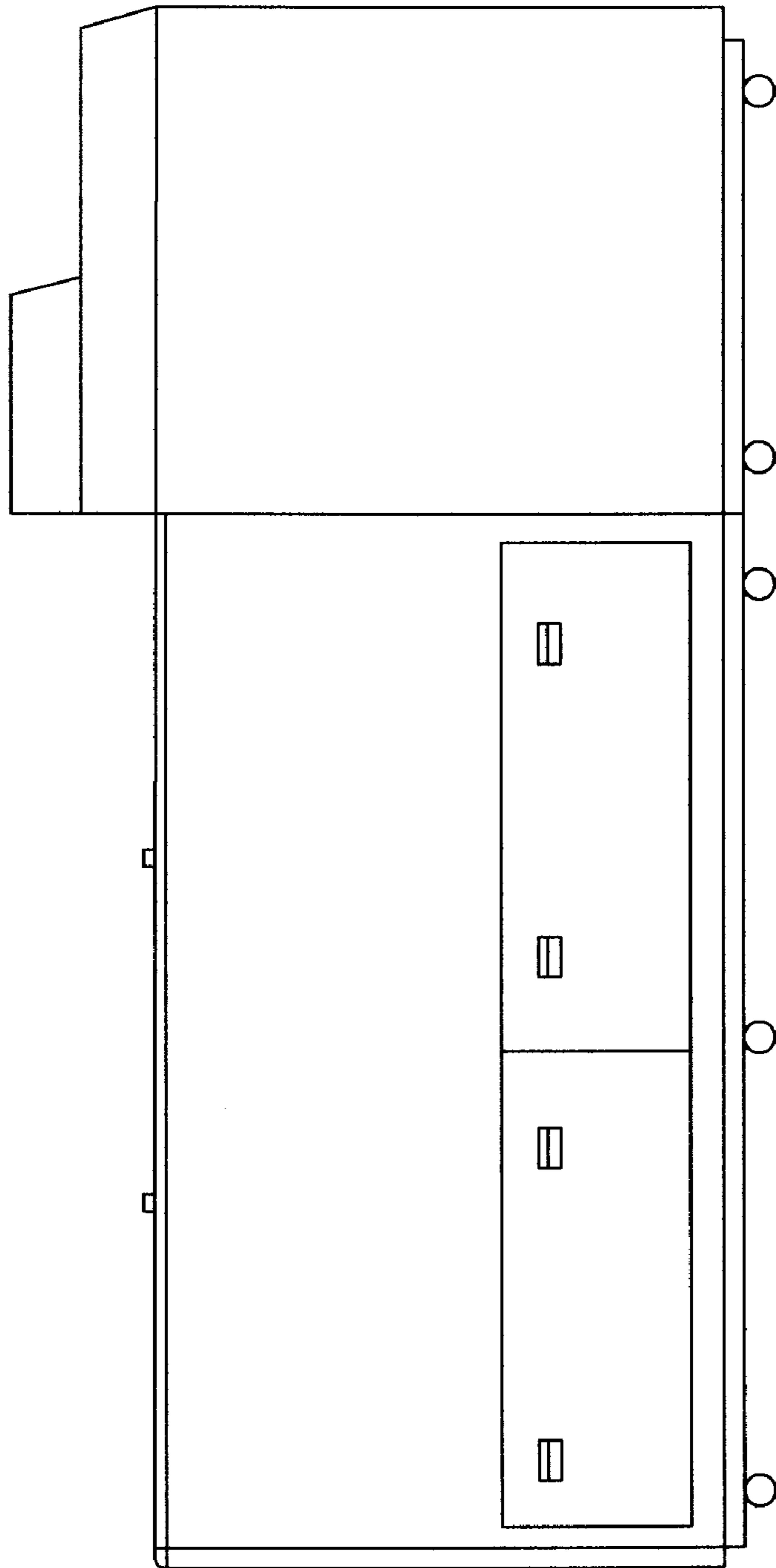
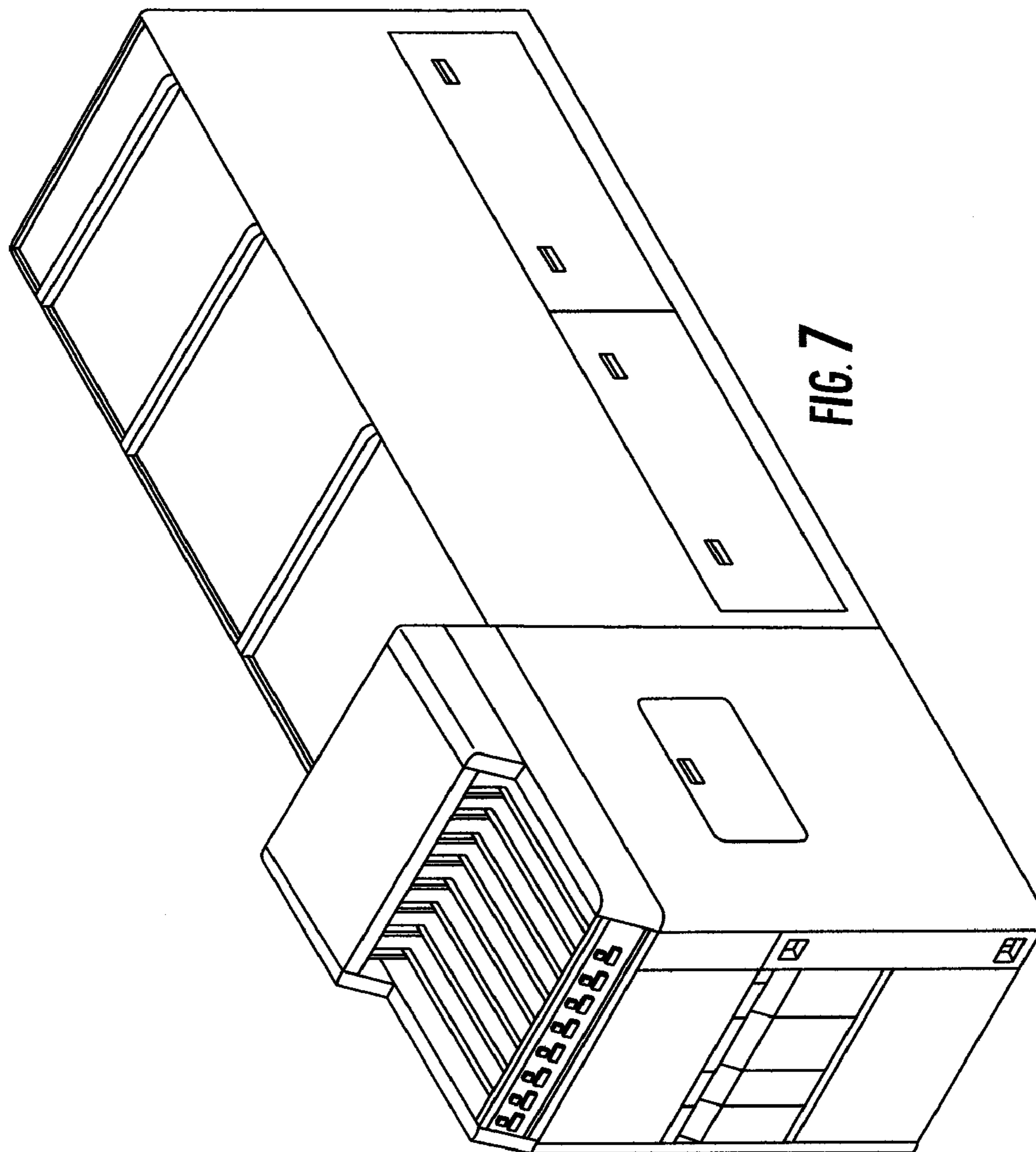


FIG. 6



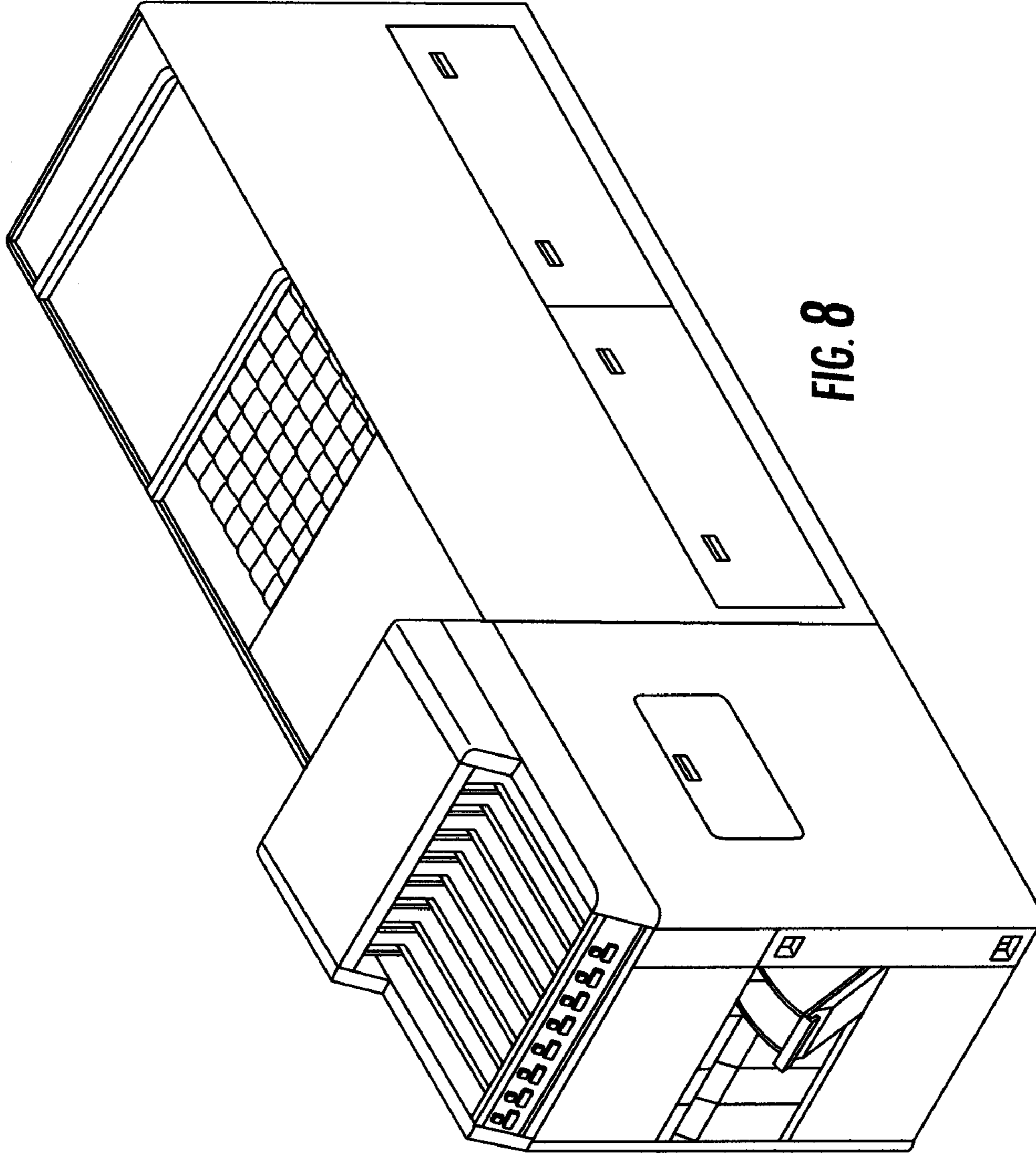


FIG. 8