



US00D562368S

(12) **United States Design Patent** (10) **Patent No.:** **US D562,368 S**
Byerly et al. (45) **Date of Patent:** **** Feb. 19, 2008**

(54) **MELTER UNIT**

(75) Inventors: **David J. Byerly**, Lawrenceville, GA (US); **William A. Lewis**, Lilburn, GA (US)

(73) Assignee: **Nordson Corporation**, Westlake, OH (US)

(**) Term: **14 Years**

(21) Appl. No.: **29/282,455**

(22) Filed: **Jul. 20, 2007**

(51) **LOC (8) Cl.** **15-09**

(52) **U.S. Cl.** **D15/144**

(58) **Field of Classification Search** D15/144,
D15/144.1, 144.2; 219/421, 426, 601; 222/152,
222/156, 386, 389, 397, 405, 420-426, 430,
222/431; 266/200; 432/161

See application file for complete search history.

(56) **References Cited**

U.S. PATENT DOCUMENTS

3,755,606	A *	8/1973	Boettner et al.	373/41
D269,349	S *	6/1983	Belter	D15/144
4,456,151	A *	6/1984	Lewellen	222/146.5
D388,800	S *	1/1998	Zook et al.	D15/144
D454,578	S *	3/2002	Armbruster et al.	D15/144
D489,741	S *	5/2004	Calco et al.	D15/144
D500,063	S *	12/2004	Jeter et al.	D15/144
D530,349	S *	10/2006	Ishihara et al.	D15/144.2
D552,641	S *	10/2007	Razquin Murgui	D15/144
2001/0009752	A1 *	7/2001	Reifenberger et al.	432/161

* cited by examiner

Primary Examiner—Antoine D. Davis

Assistant Examiner—Patricia Palasik

(74) *Attorney, Agent, or Firm*—Wood, Herron & Evans, L.L.P.

(57) **CLAIM**

The ornamental design for a melter unit, as shown and described.

DESCRIPTION

FIG. 1 is a perspective view of the melter unit according to a first embodiment.

FIG. 2 is a front view of the melter unit according to the first embodiment.

FIG. 3 is a rear view of the melter unit according to the first embodiment.

FIG. 4 is a left side view of the melter unit according to the first embodiment.

FIG. 5 is a right side view of the melter unit according to the first embodiment.

FIG. 6 is a top view of the melter unit according to the first embodiment.

FIG. 7 is a bottom view of the melter unit according to the first embodiment.

FIG. 8 is a perspective view of the melter unit according to a second embodiment.

FIG. 9 is a front view of the melter unit according to the second embodiment.

FIG. 10 is a rear view of the melter unit according to the second embodiment.

FIG. 11 is a left side view of the melter unit according to the second embodiment.

FIG. 12 is a right side view of the melter unit according to the second embodiment.

FIG. 13 is a top view of the melter unit according to the second embodiment.

FIG. 14 is a bottom view of the melter unit according to the second embodiment.

FIG. 15 is a perspective view of the melter unit according to a third embodiment.

FIG. 16 is a front view of the melter unit according to the third embodiment.

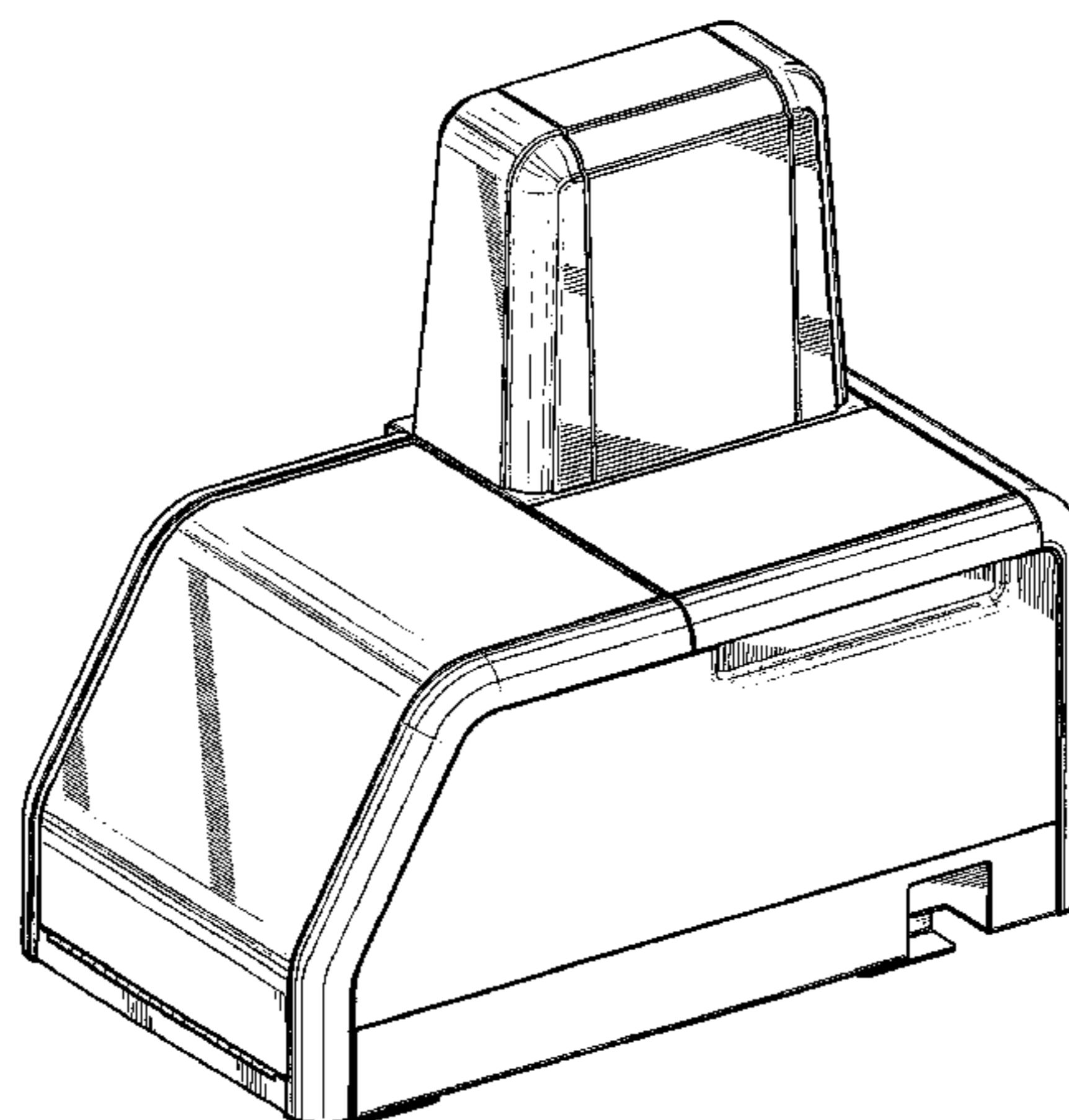


FIG. 17 is a rear view of the melter unit according to the third embodiment.

FIG. 18 is a left side view of the melter unit according to the third embodiment.

FIG. 19 is a right side view of the melter unit according to the third embodiment.

FIG. 20 is a top view of the melter unit according to the third embodiment.

FIG. 21 is a bottom view of the melter unit according to the third embodiment.

FIG. 22 is a perspective view of the melter unit according to a fourth embodiment.

FIG. 23 is a front view of the melter unit according to the fourth embodiment.

FIG. 24 is a rear view of the melter unit according to the fourth embodiment.

FIG. 25 is a left side view of the melter unit according to the fourth embodiment.

FIG. 26 is a right side view of the melter unit according to the fourth embodiment.

FIG. 27 is a top view of the melter unit according to the fourth embodiment; and,

FIG. 28 is a bottom view of the melter unit according to the fourth embodiment.

1 Claim, 20 Drawing Sheets

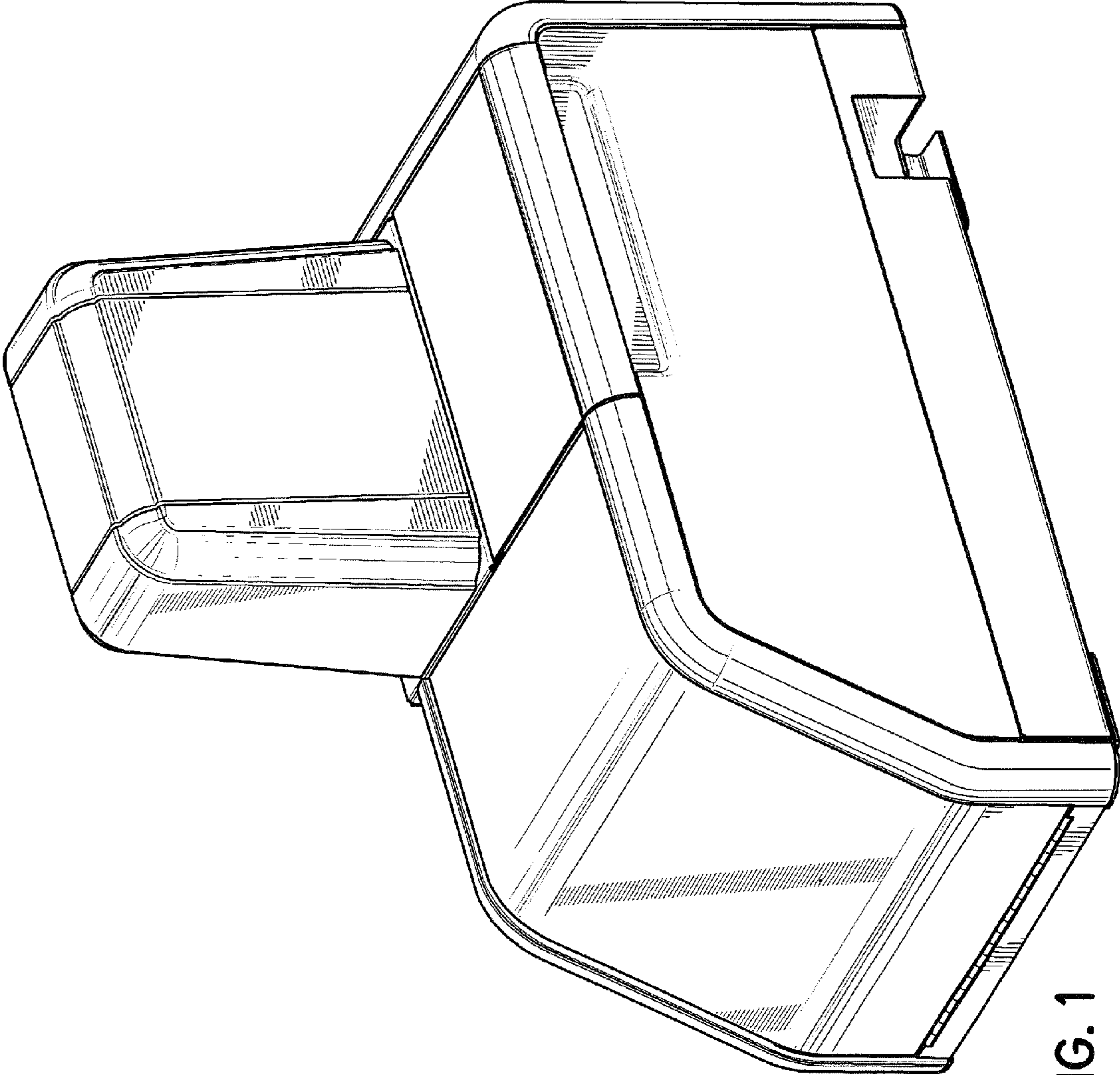


FIG. 1

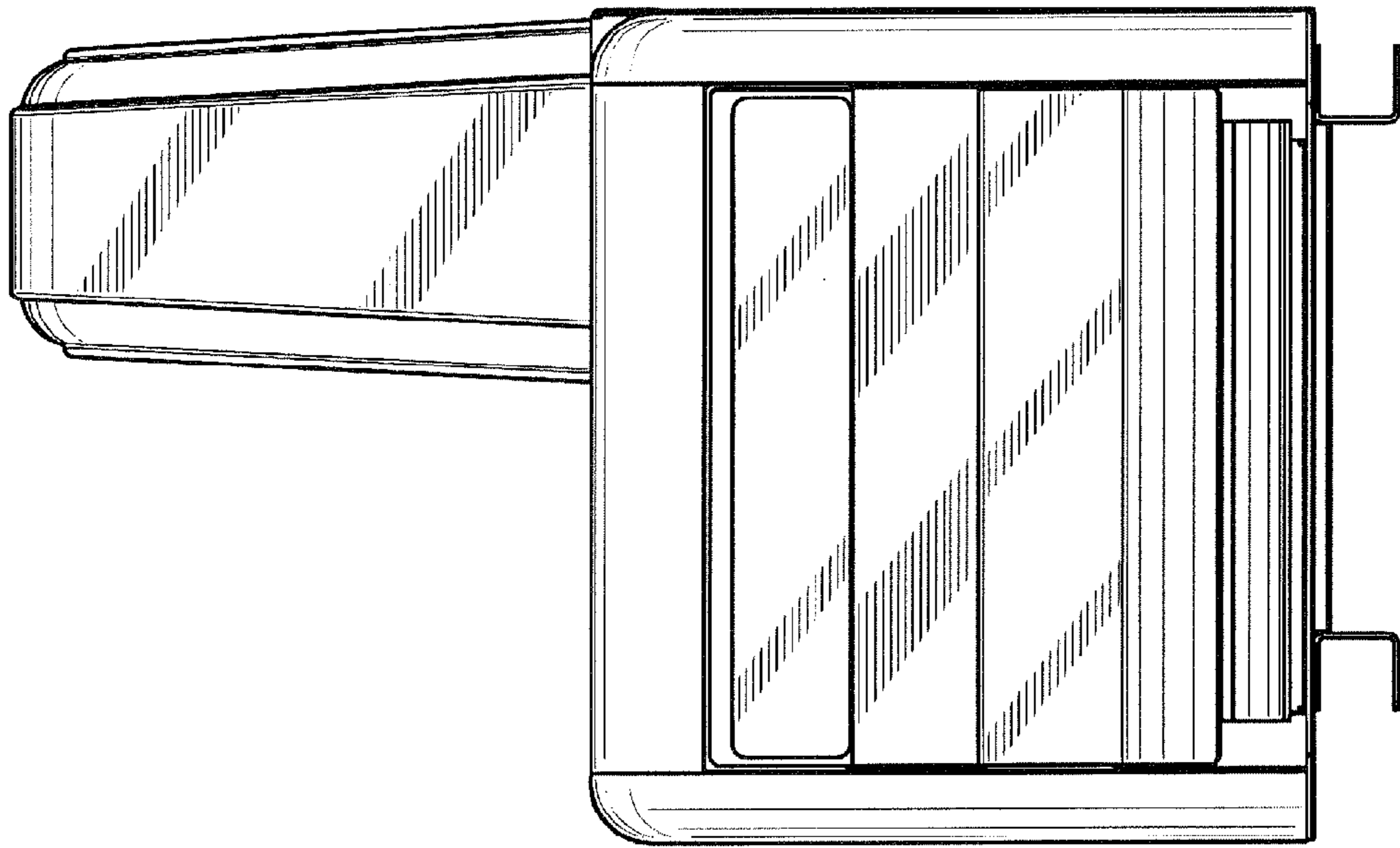


FIG. 3

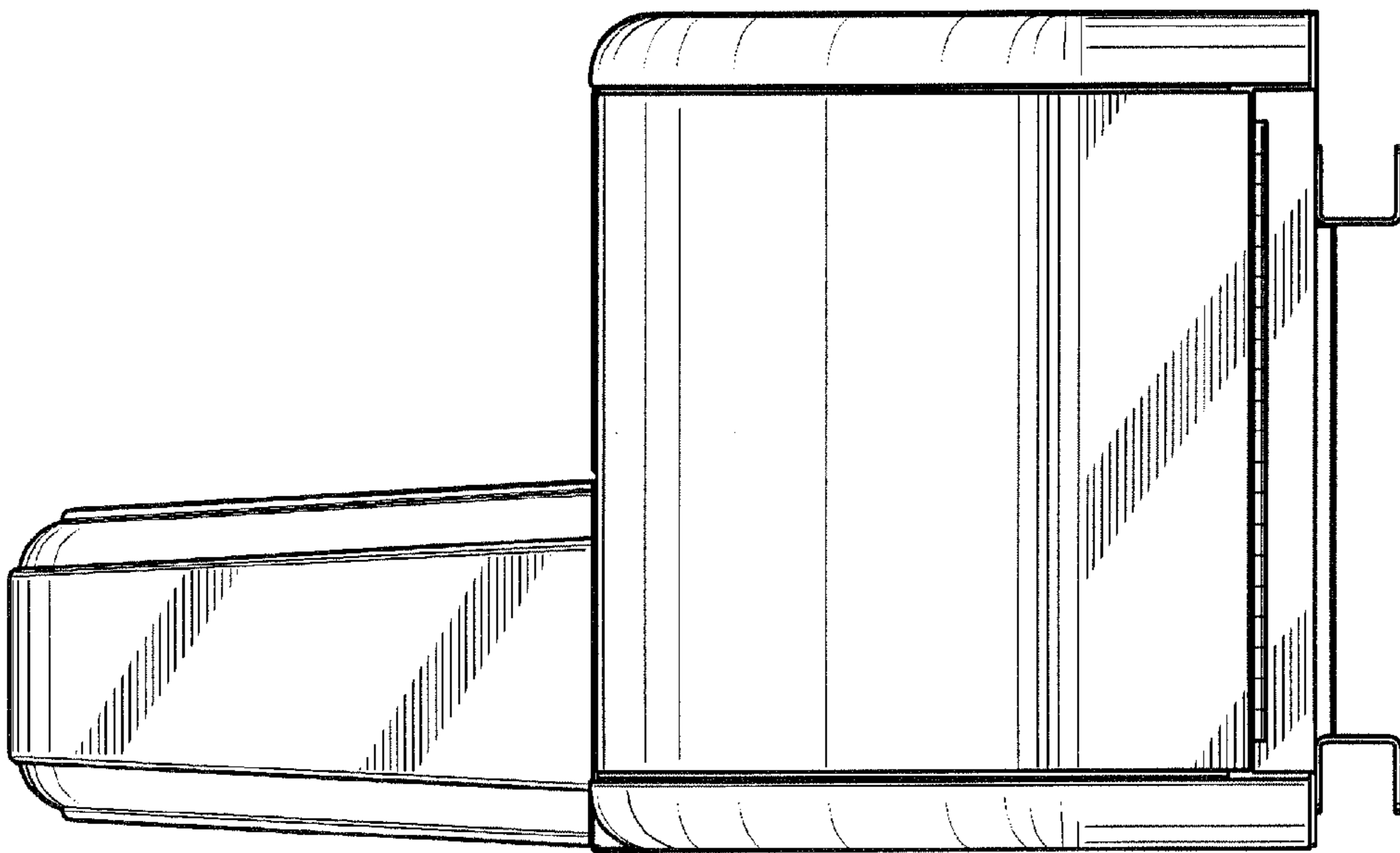


FIG. 2

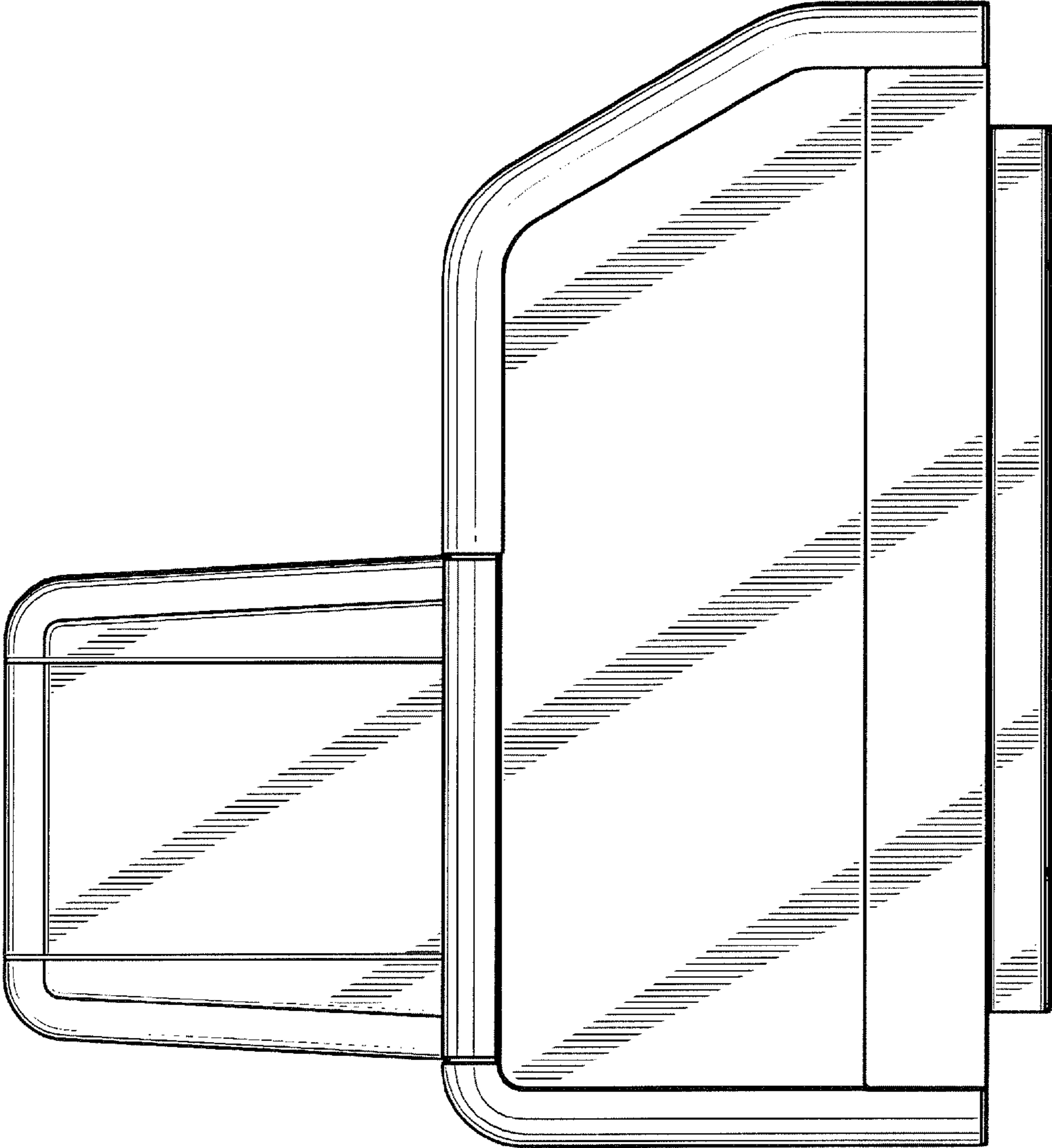


FIG. 4

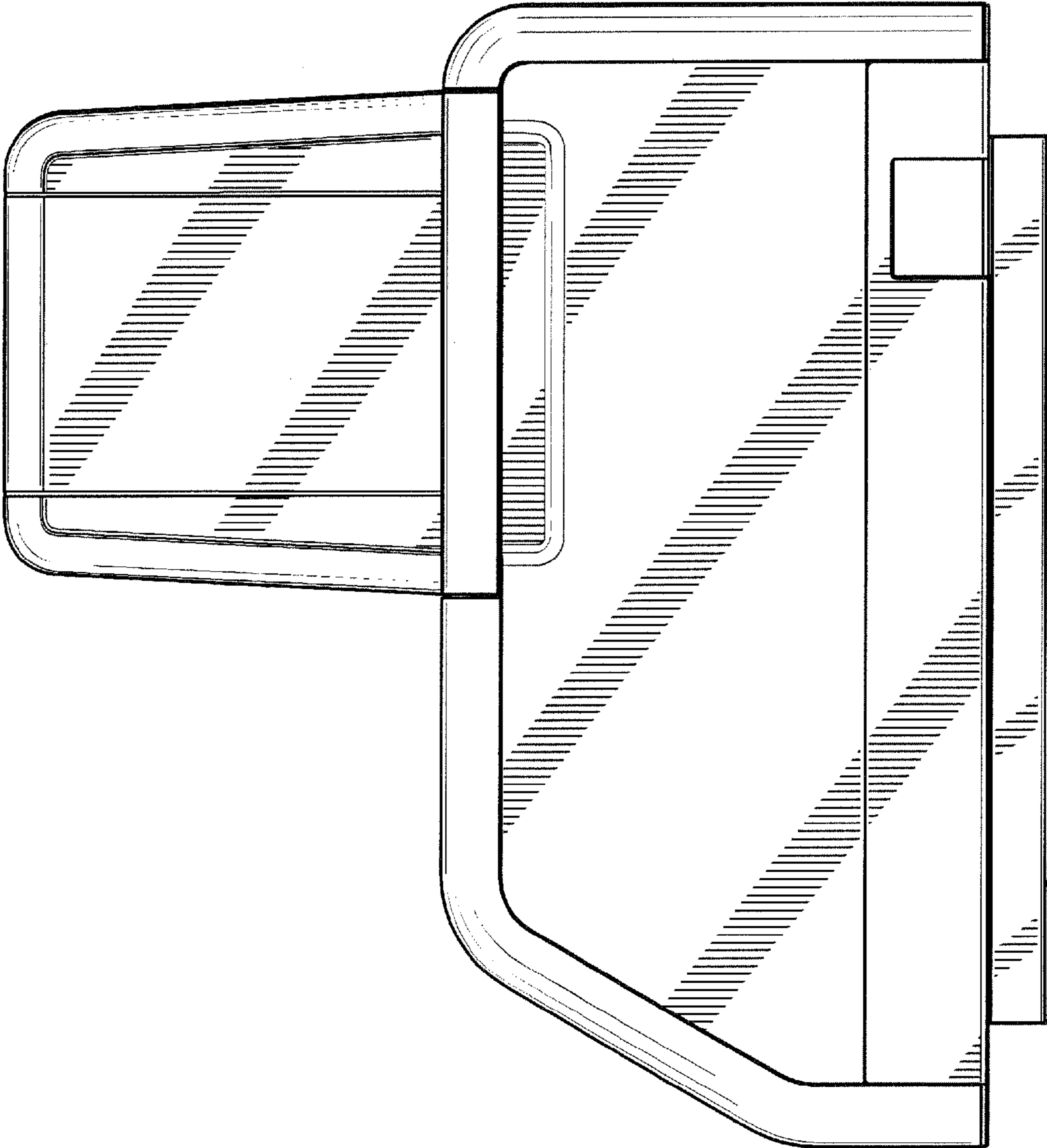


FIG. 5

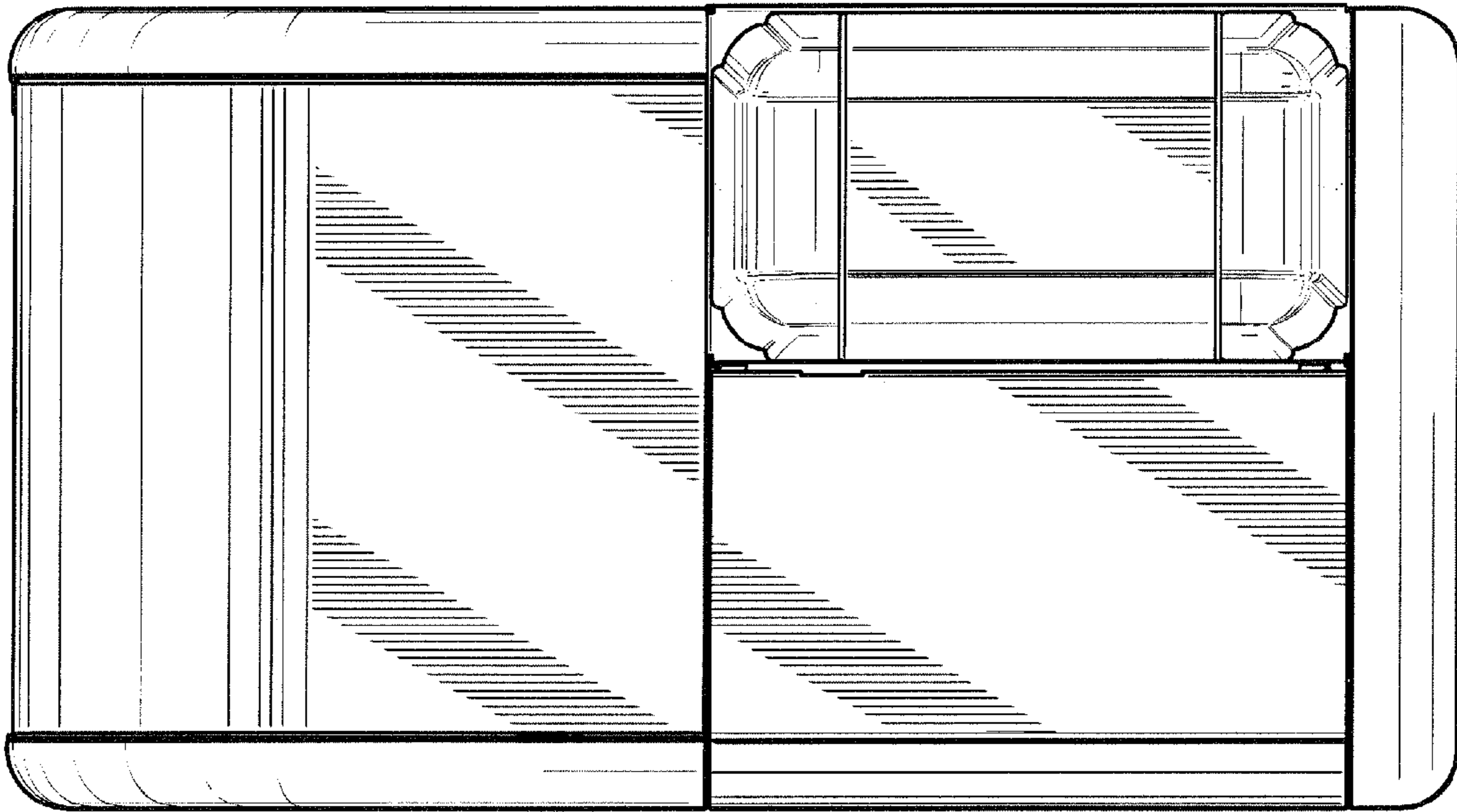


FIG. 6

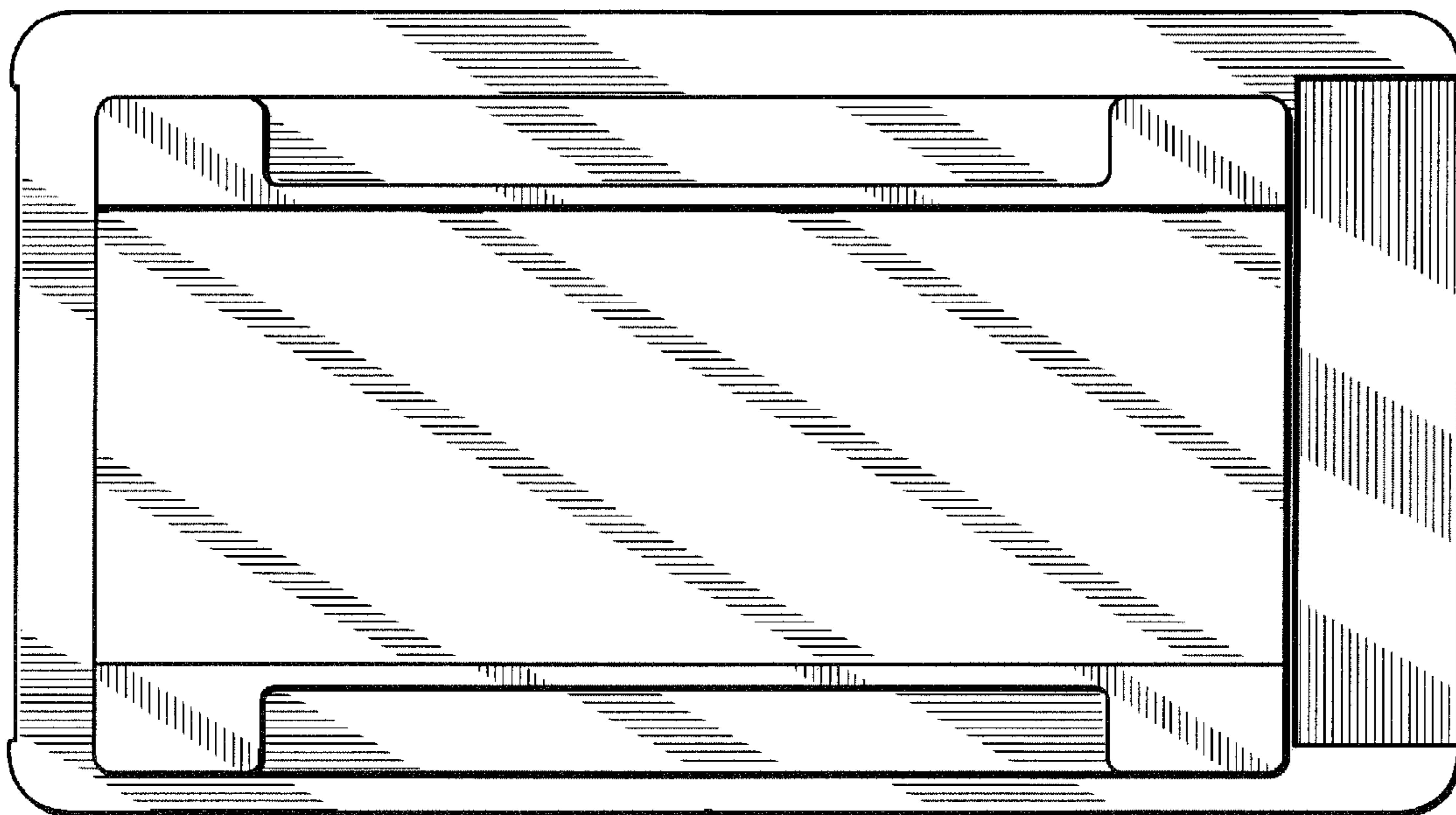


FIG. 7

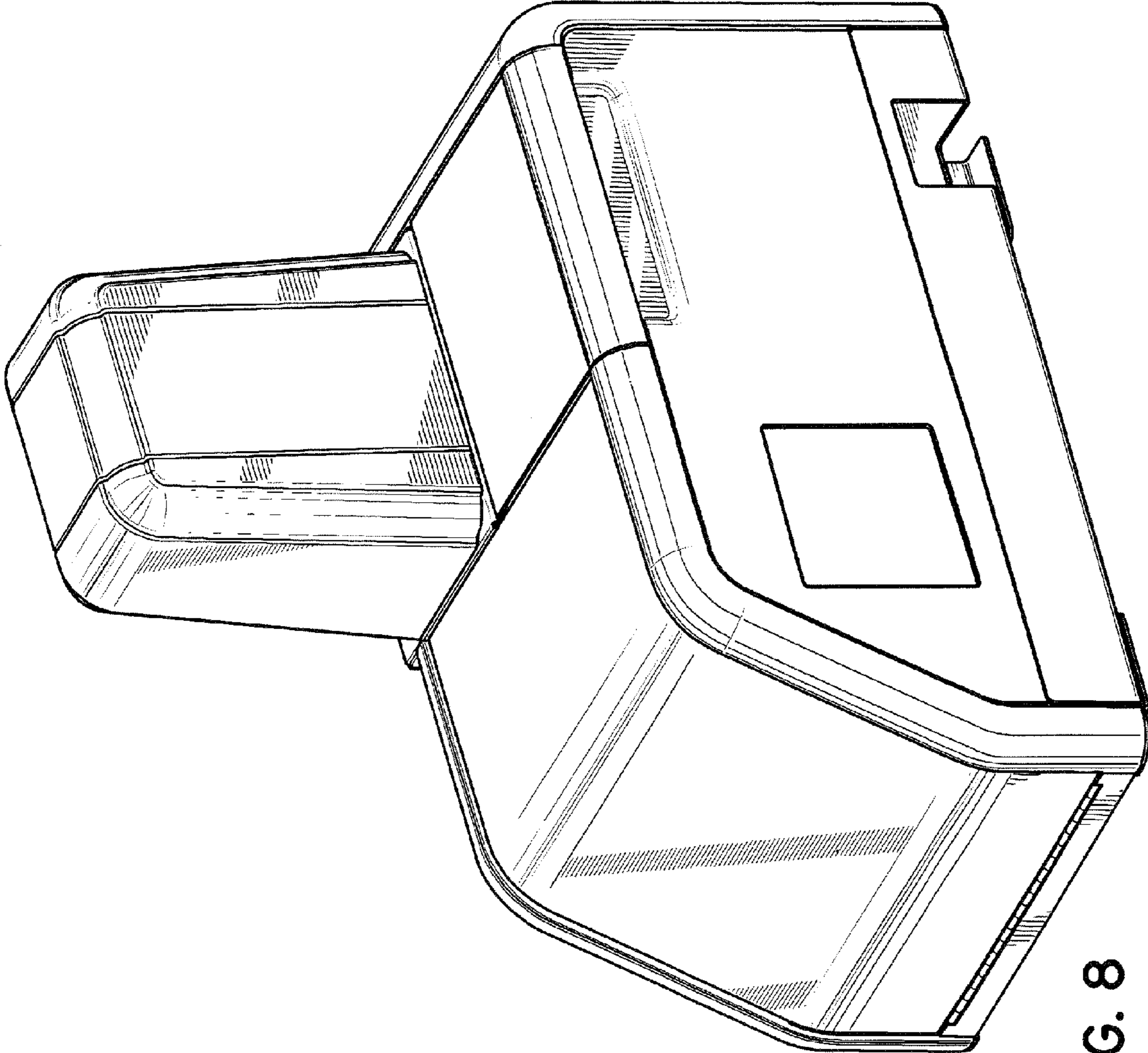


FIG. 8

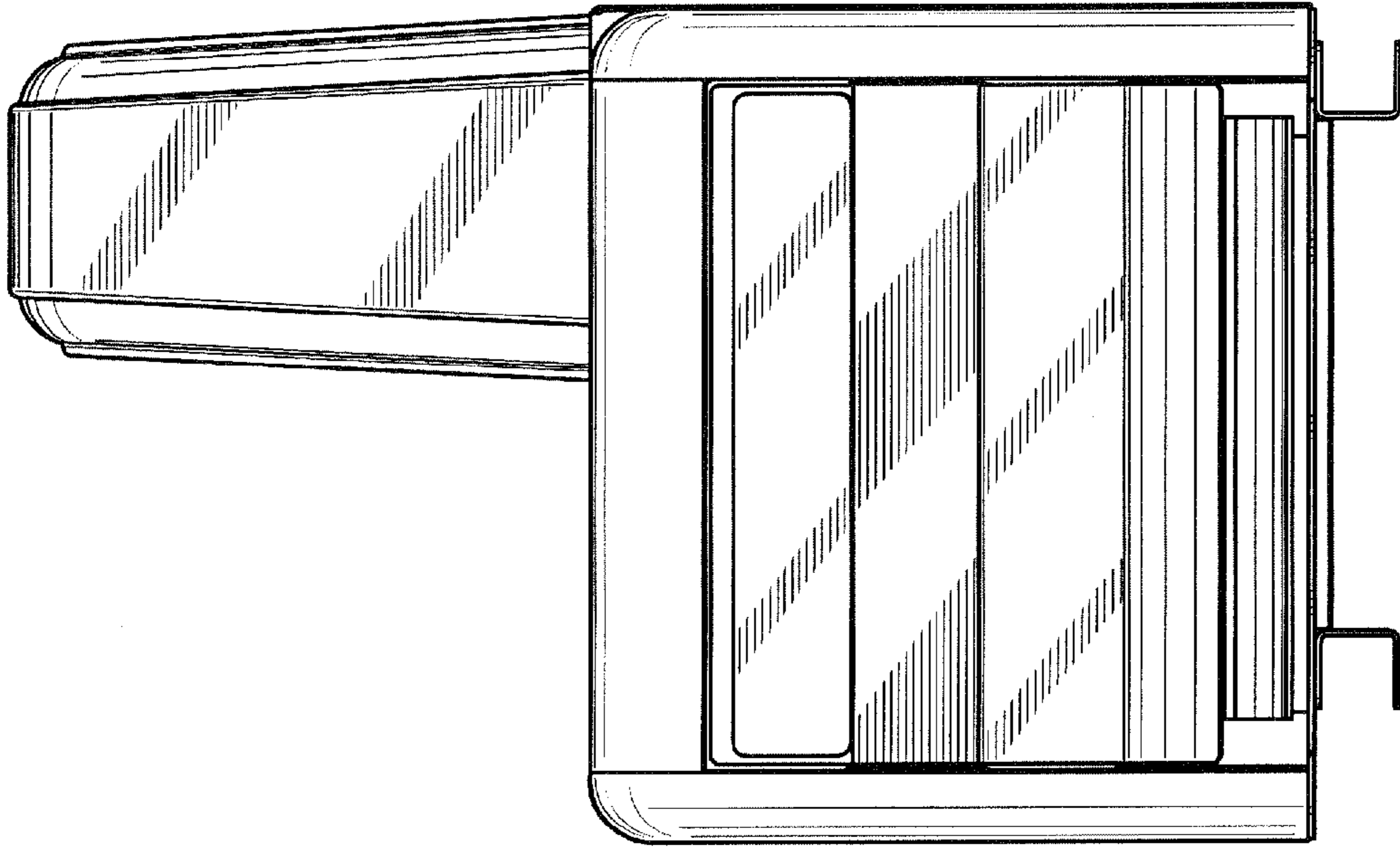


FIG. 10

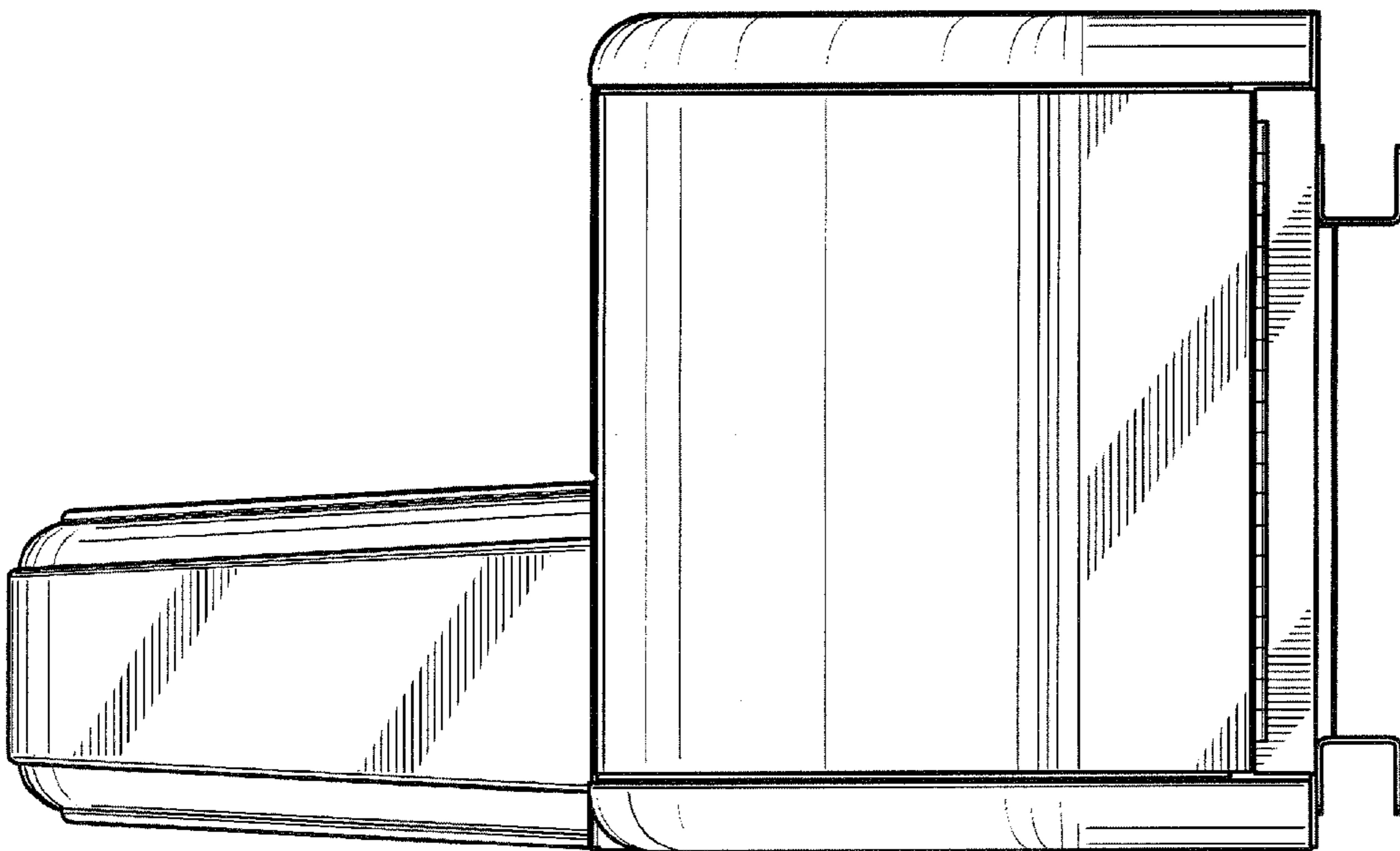


FIG. 9

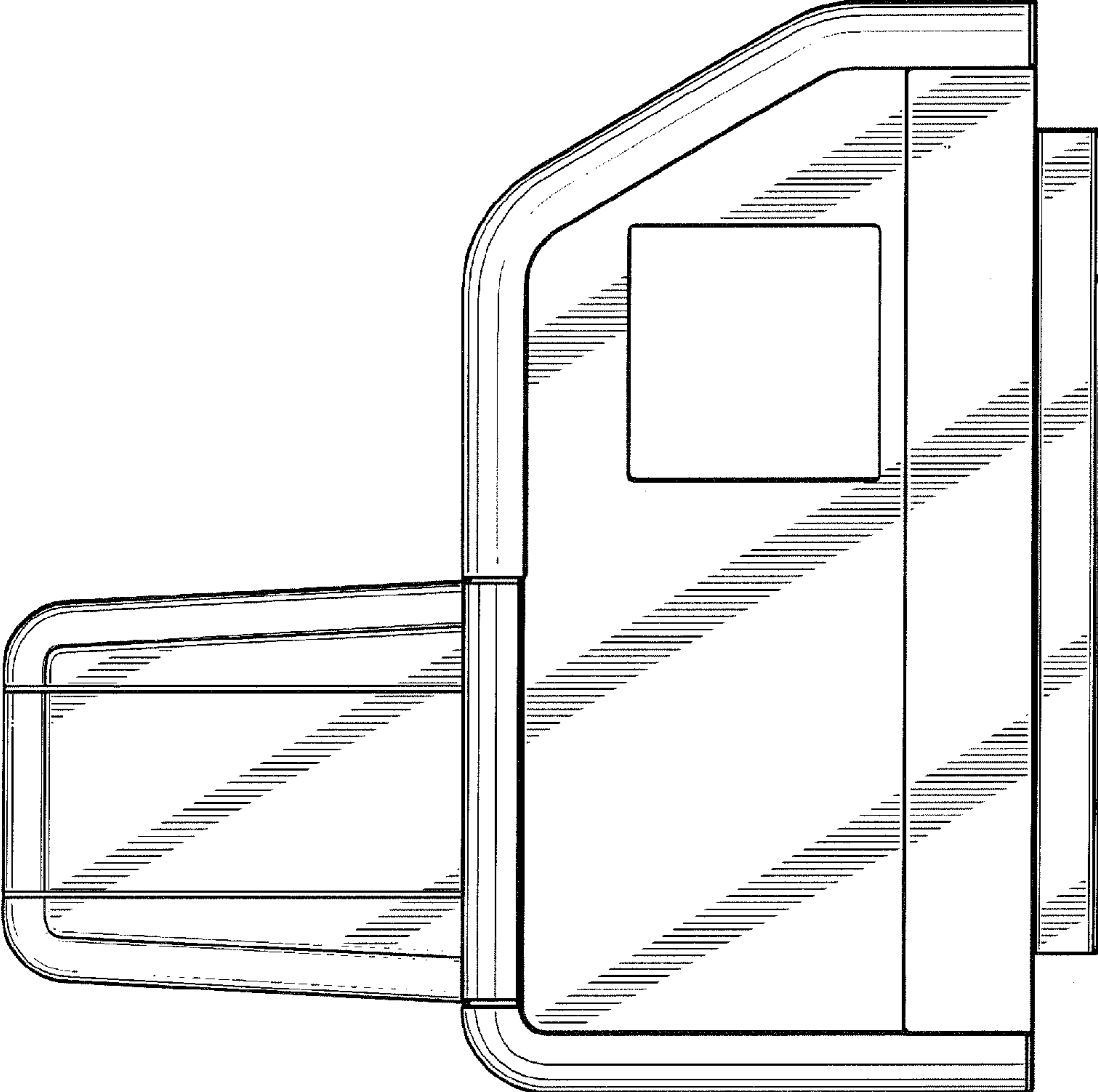


FIG. 11

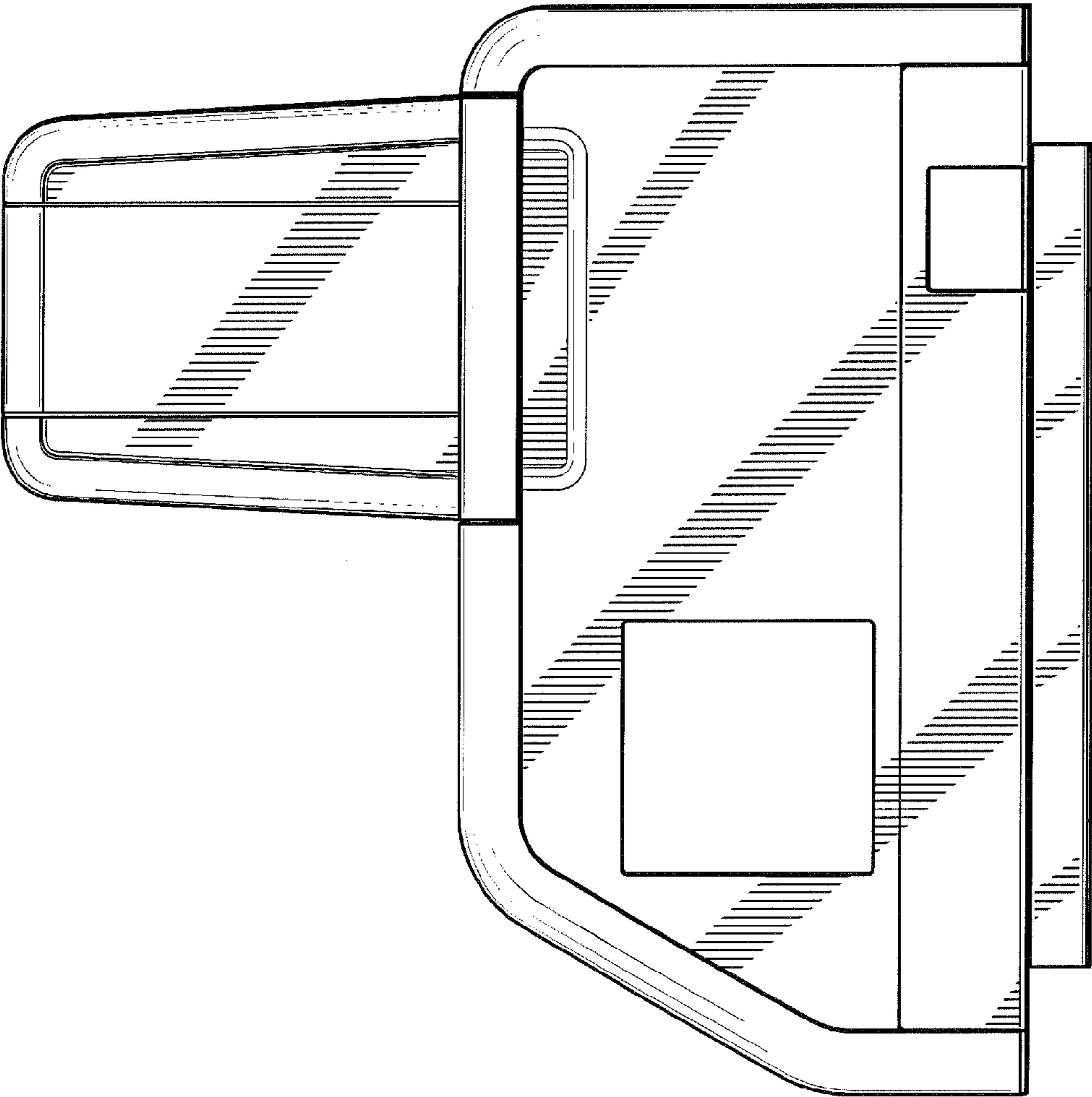


FIG. 12

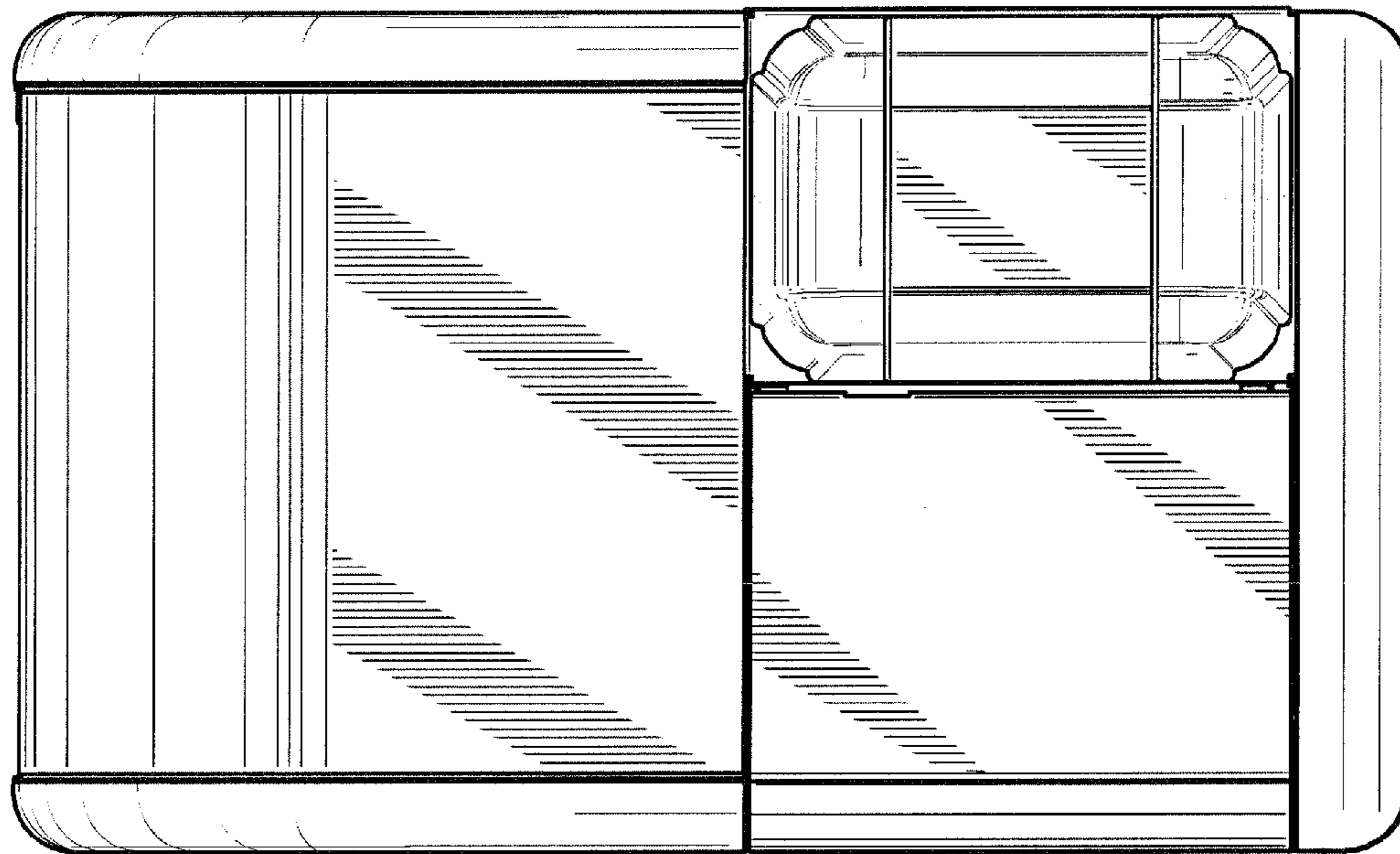


FIG. 13

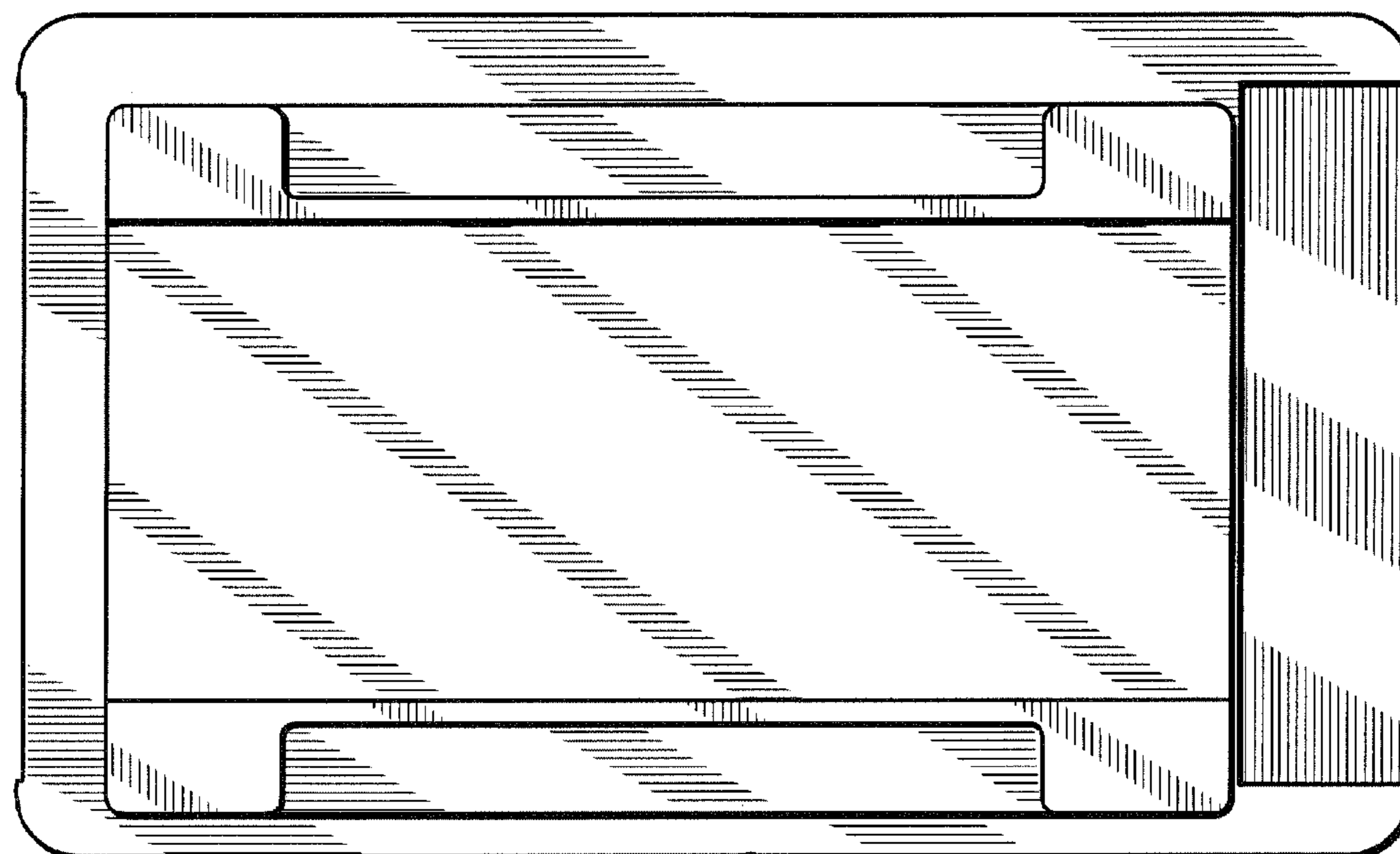


FIG. 14

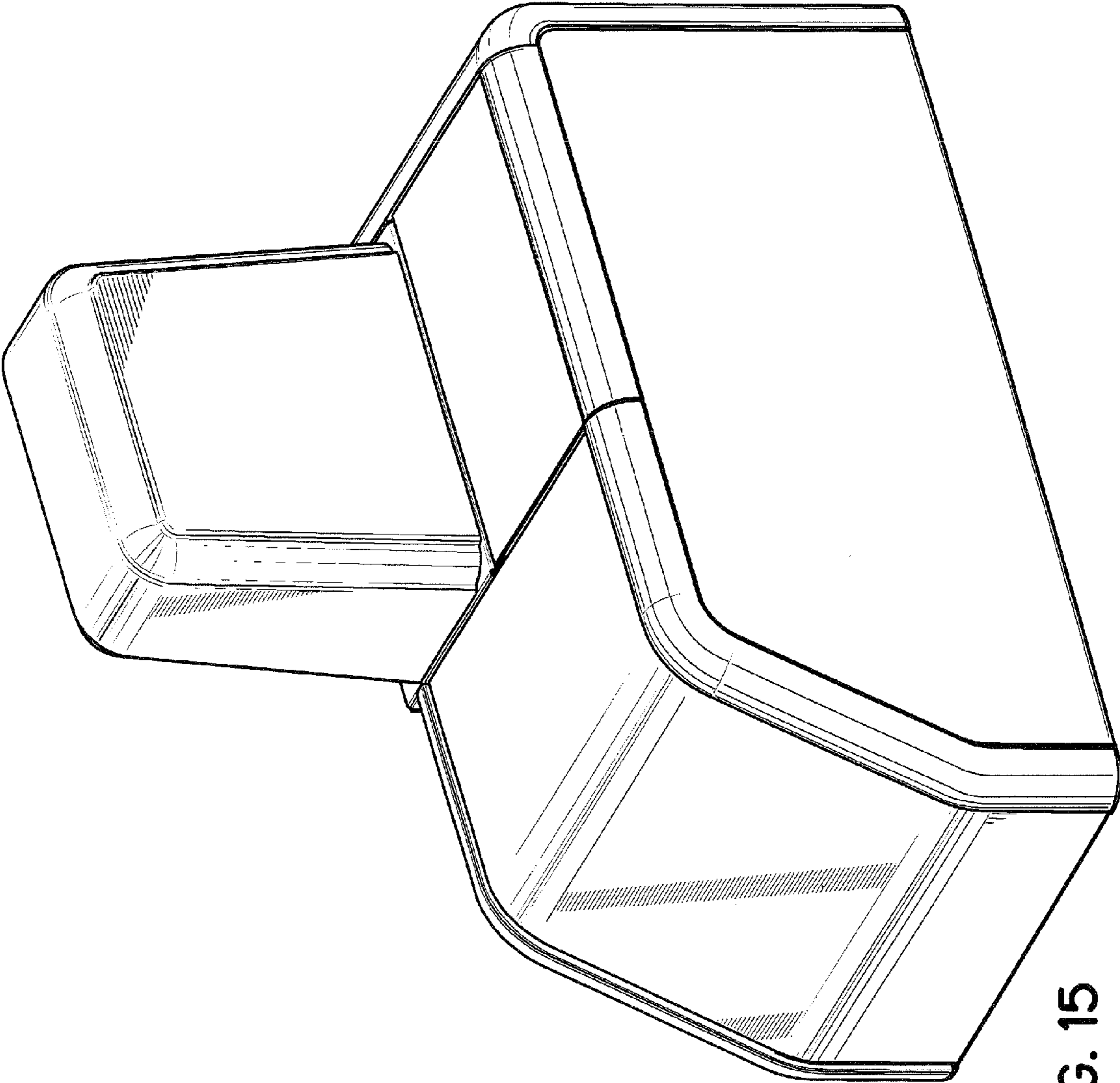


FIG. 15

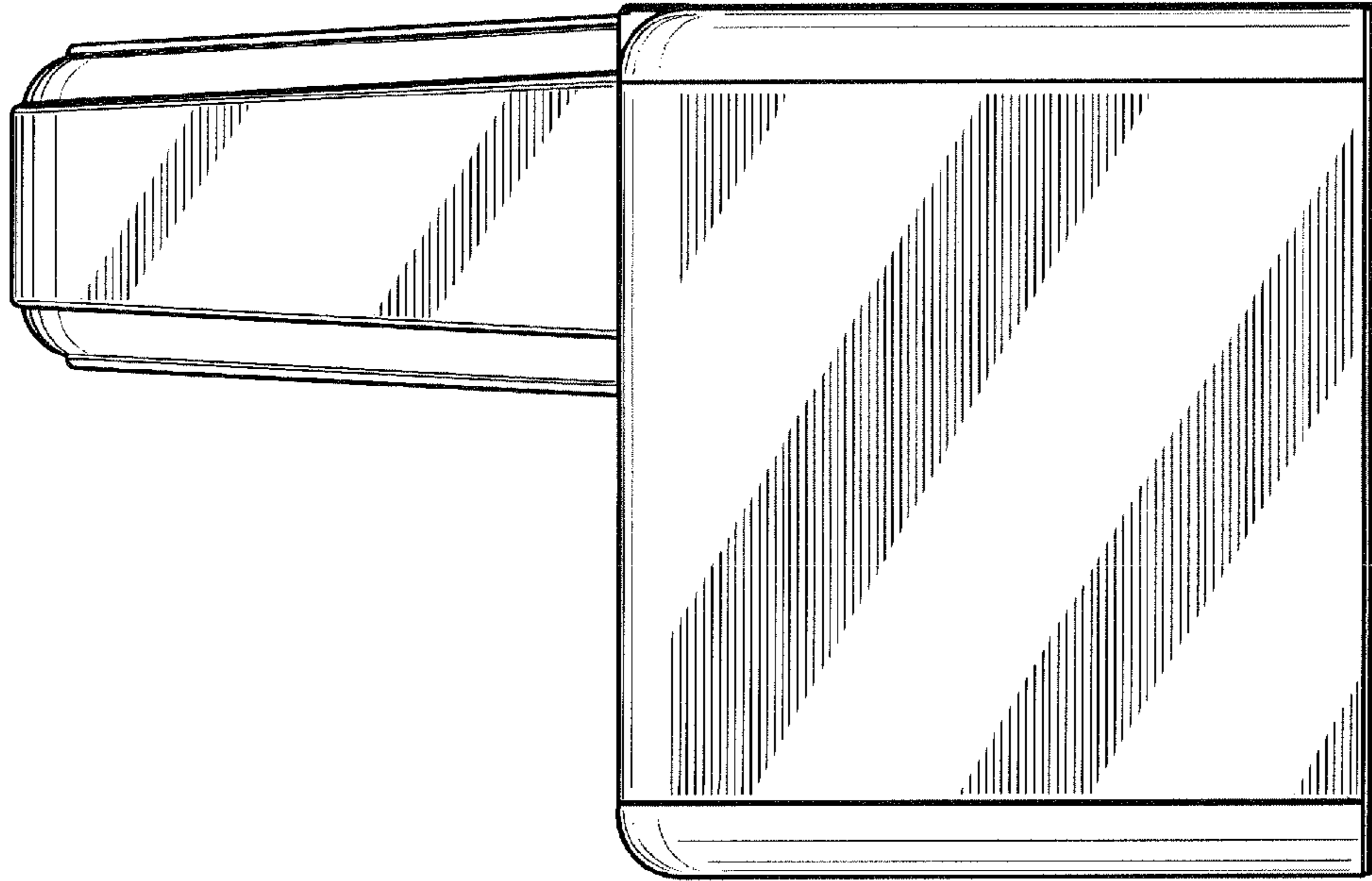


FIG. 17

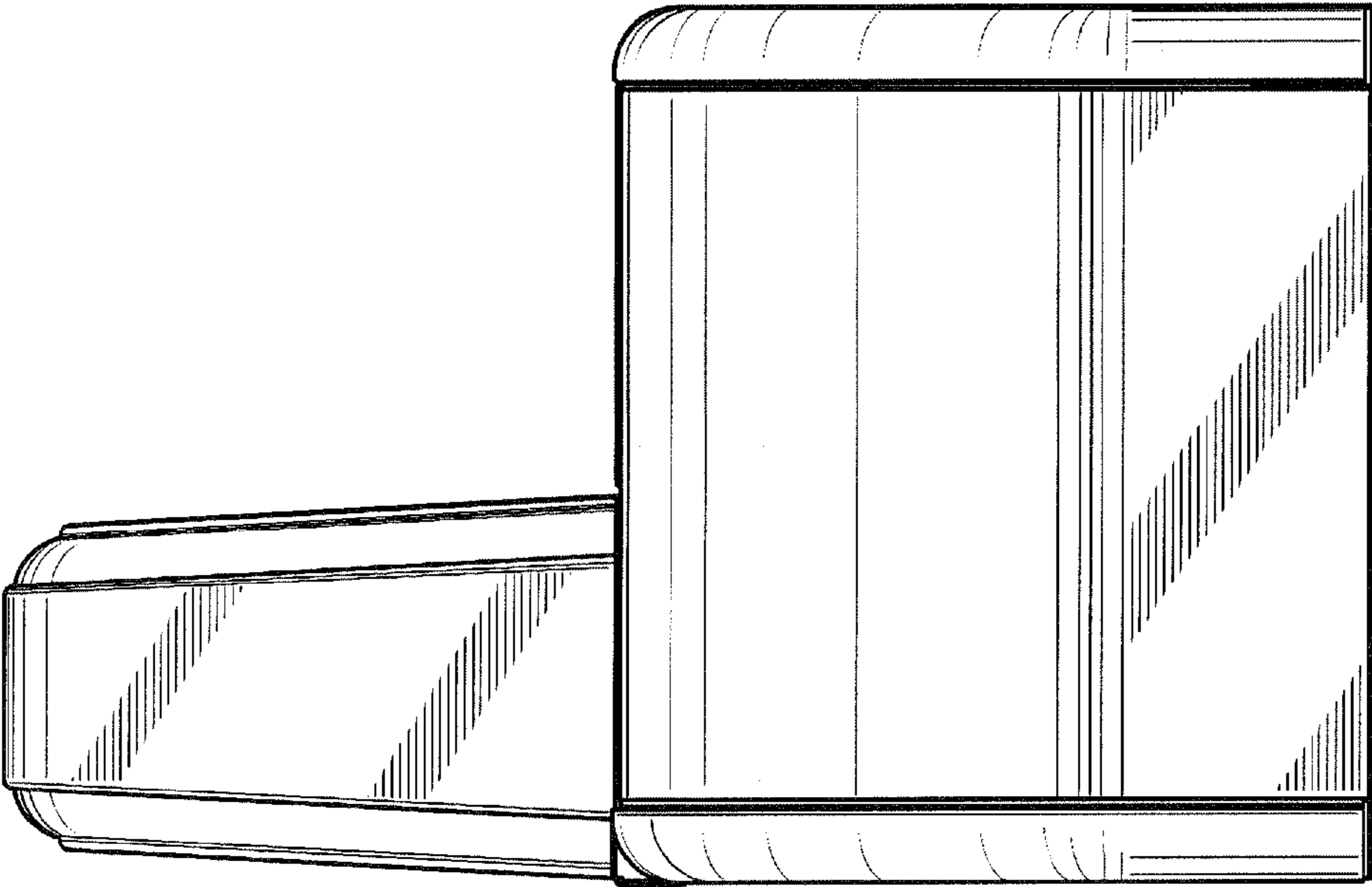


FIG. 16

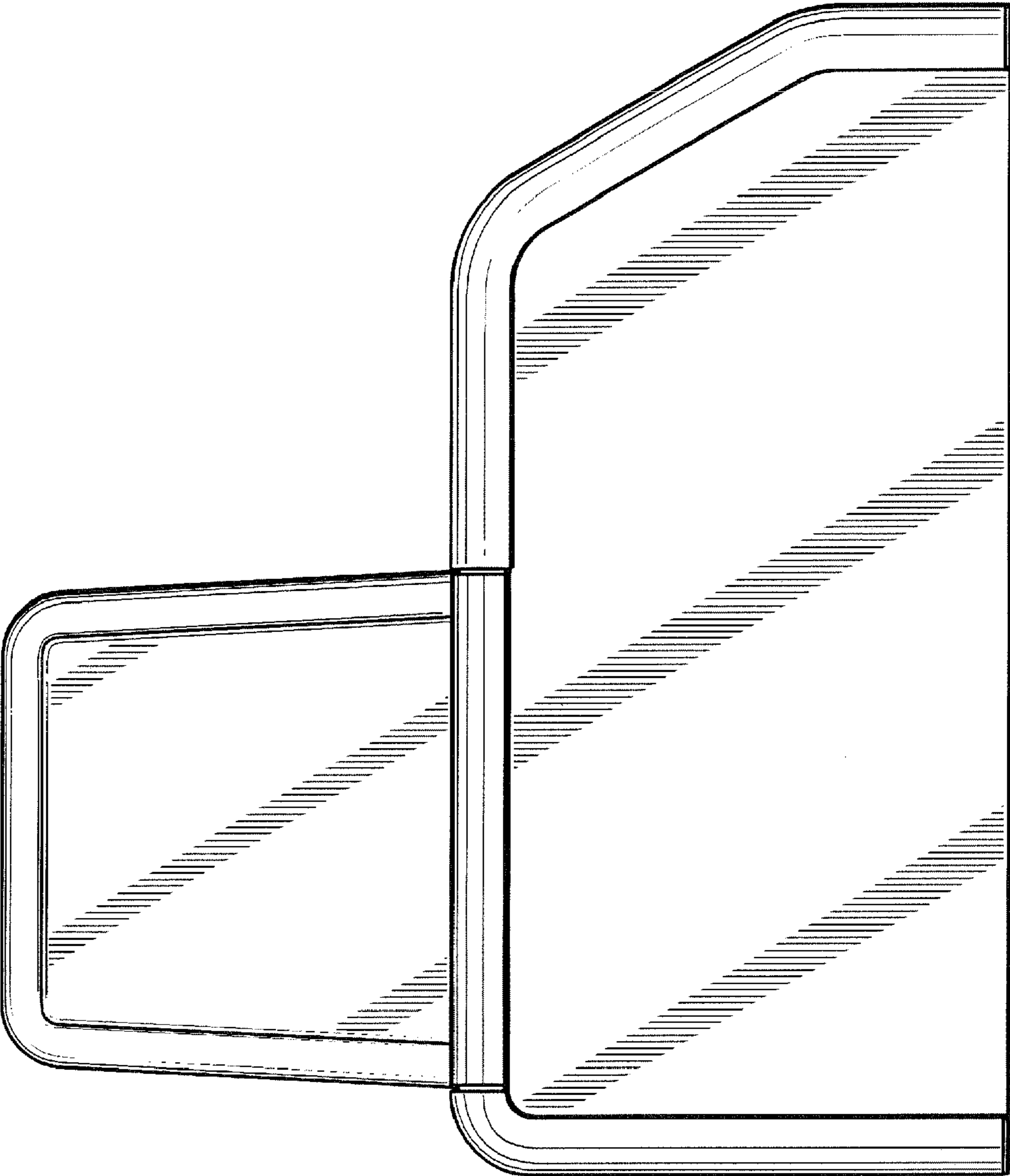


FIG. 18

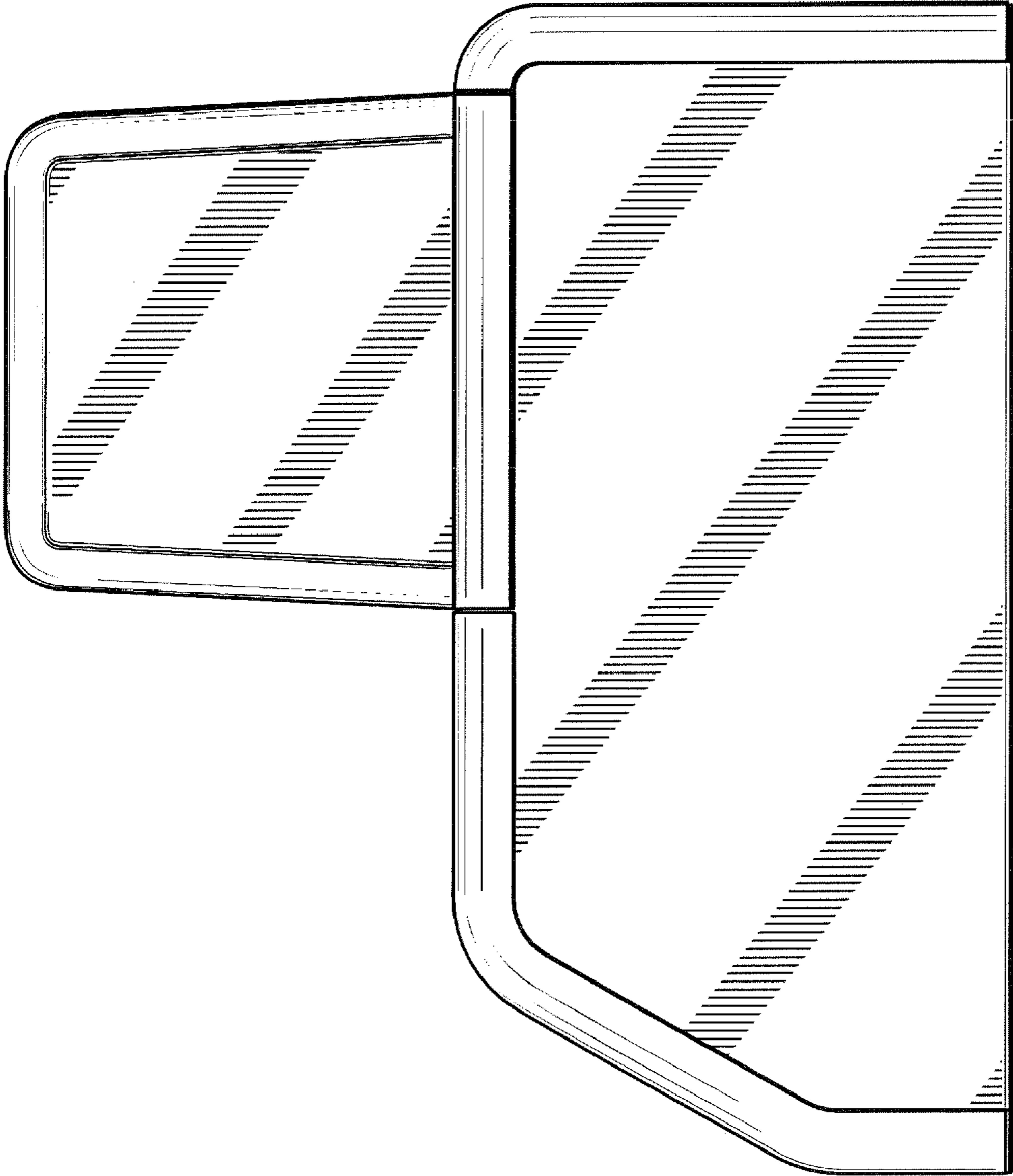


FIG. 19

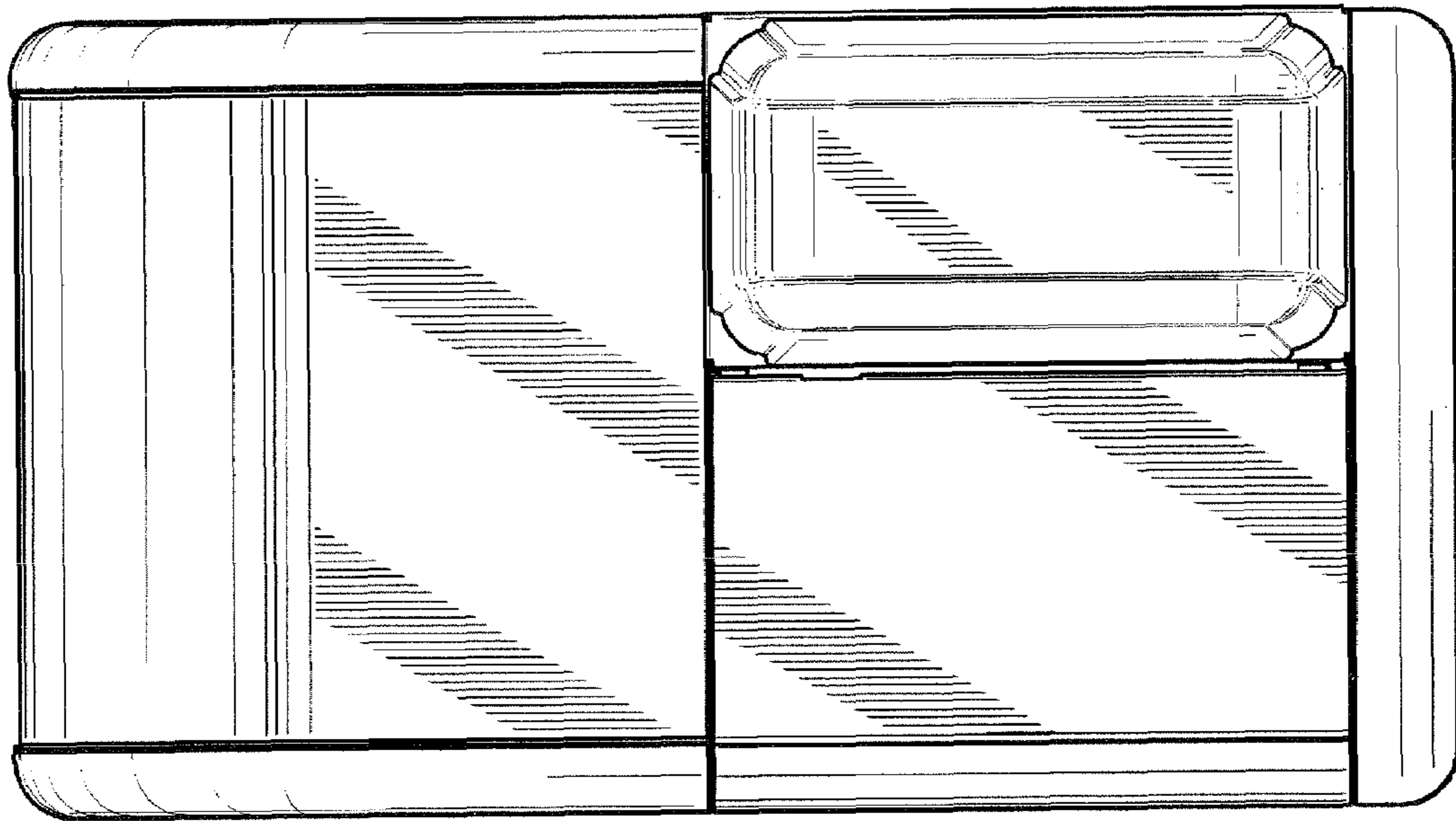


FIG. 20

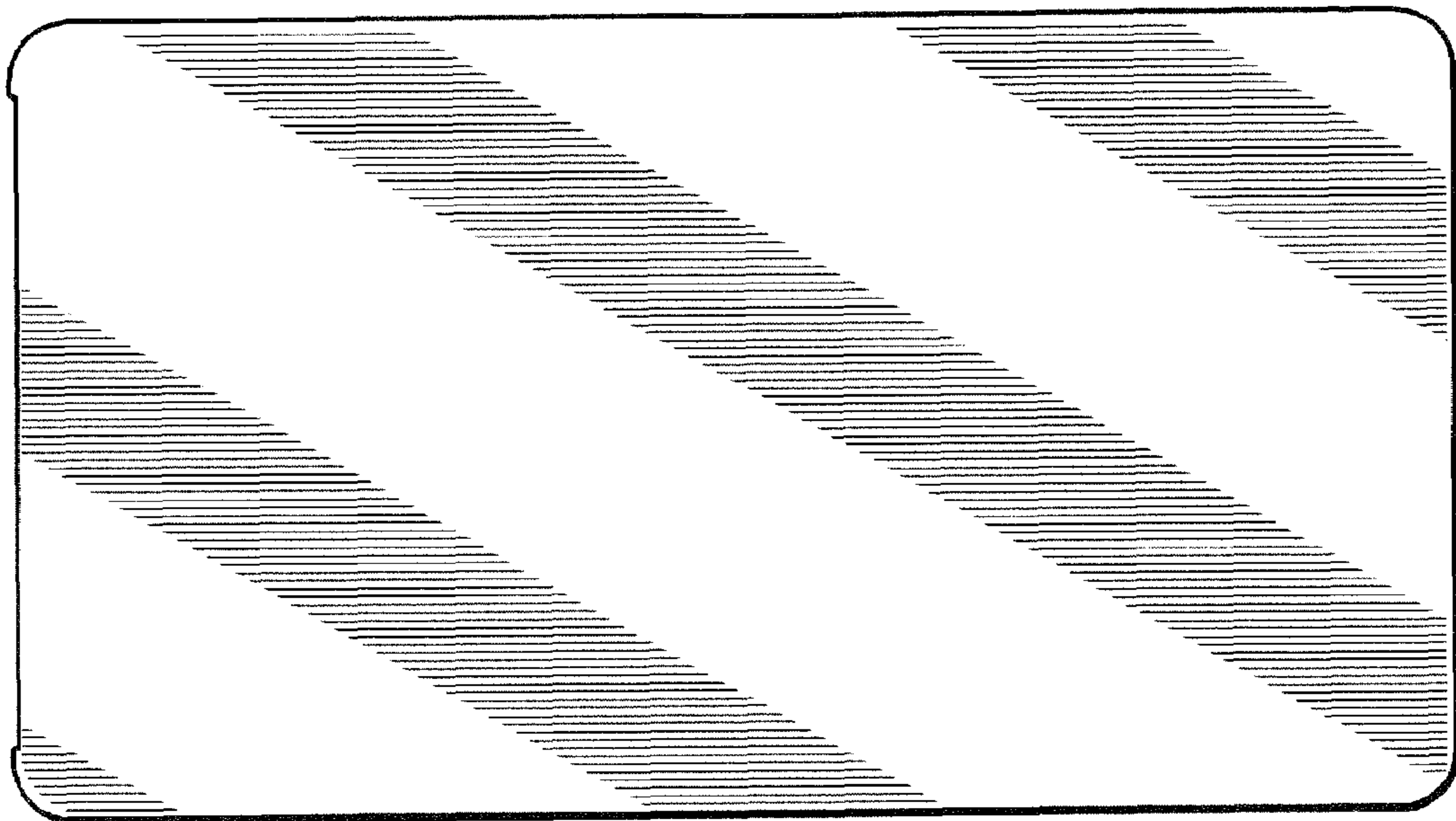


FIG. 21

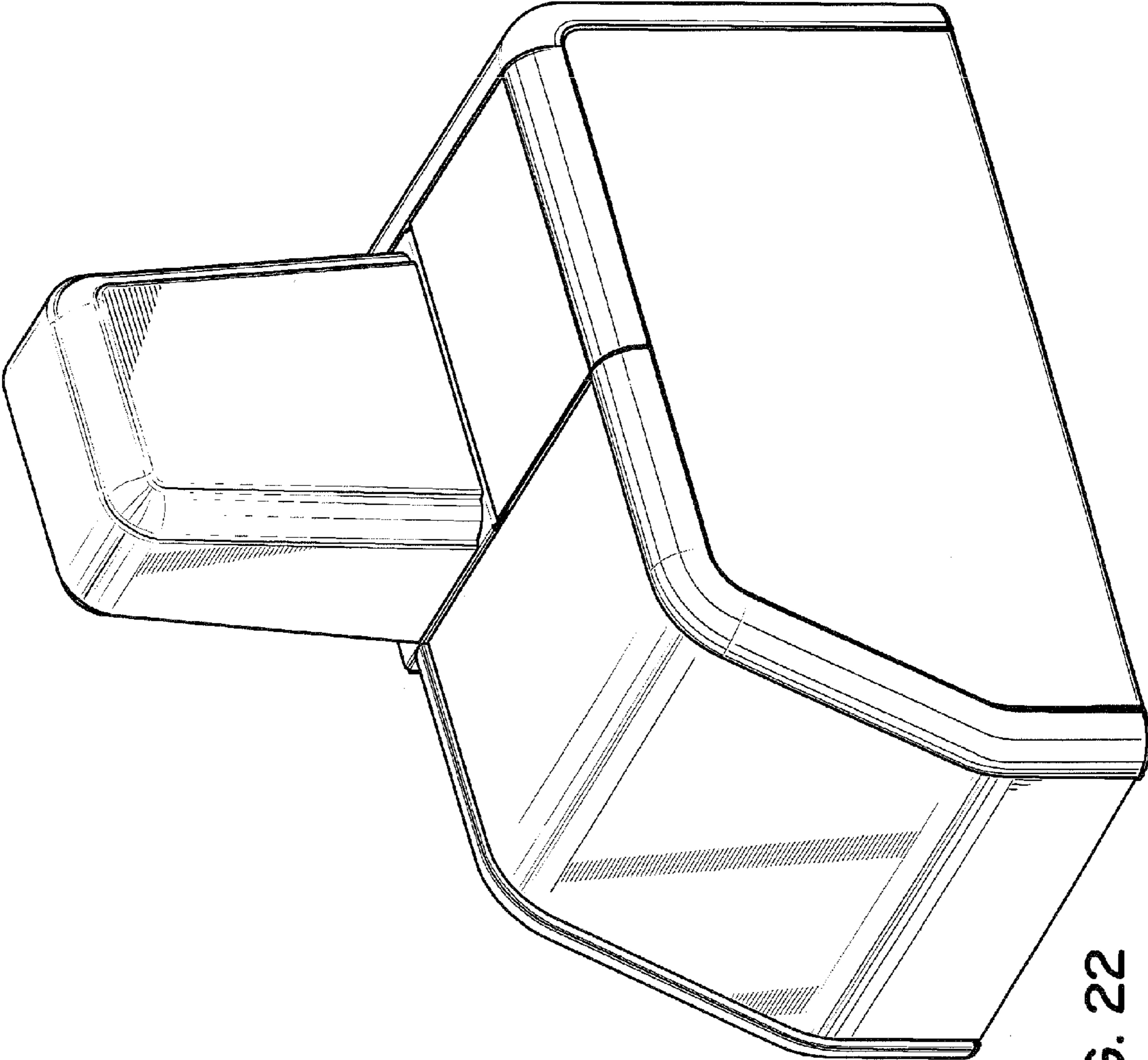


FIG. 22

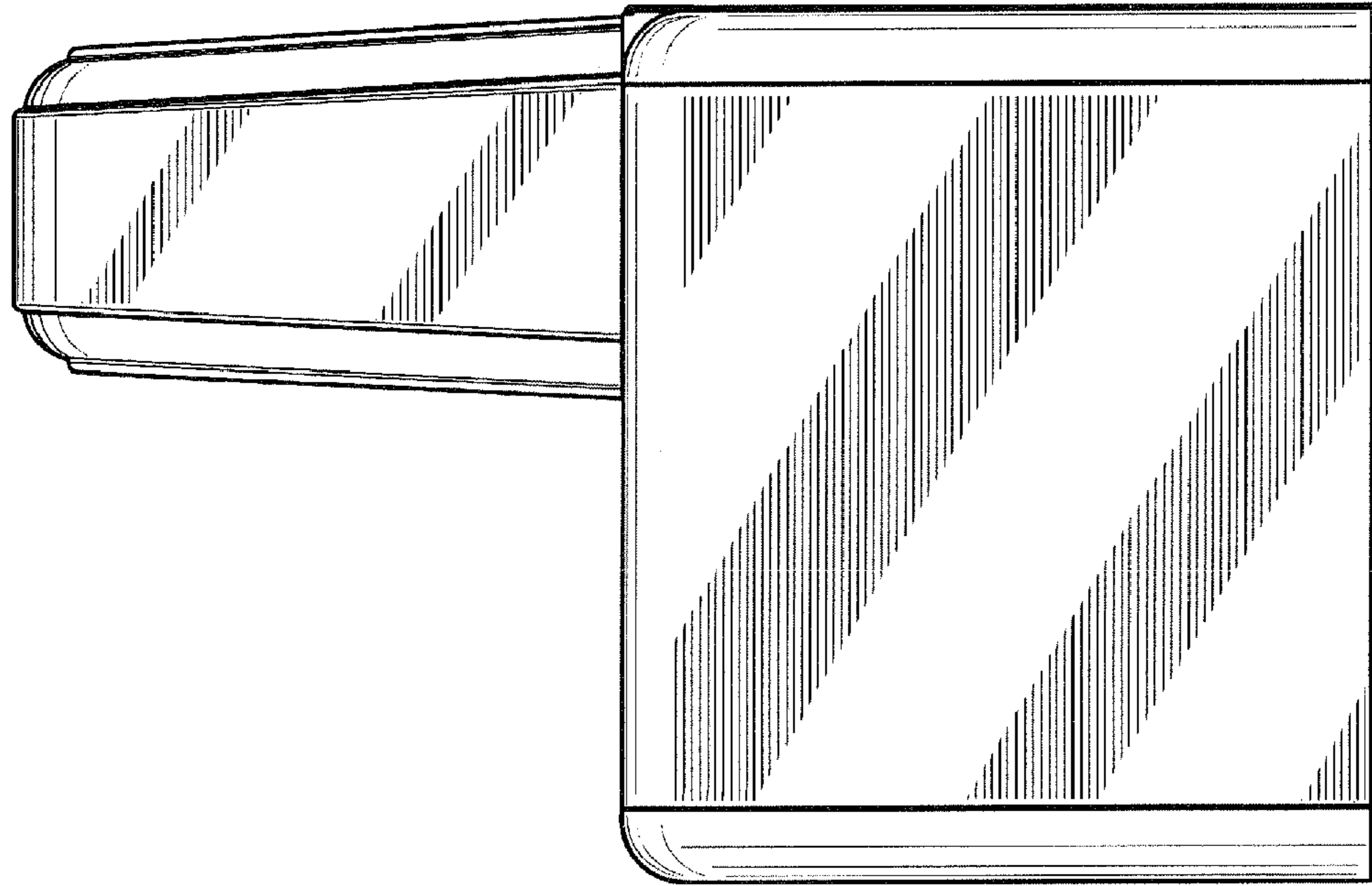


FIG. 24

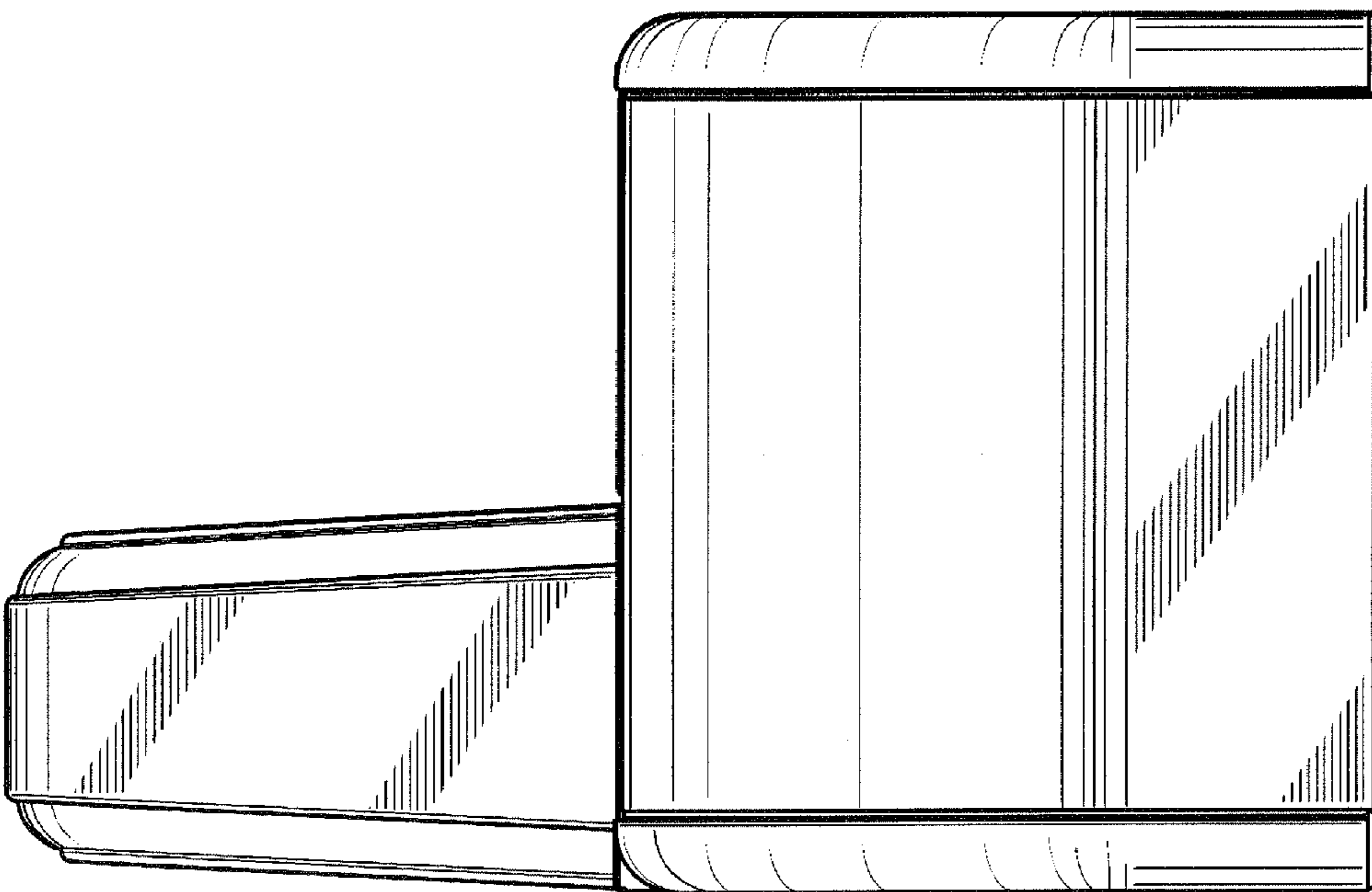


FIG. 23

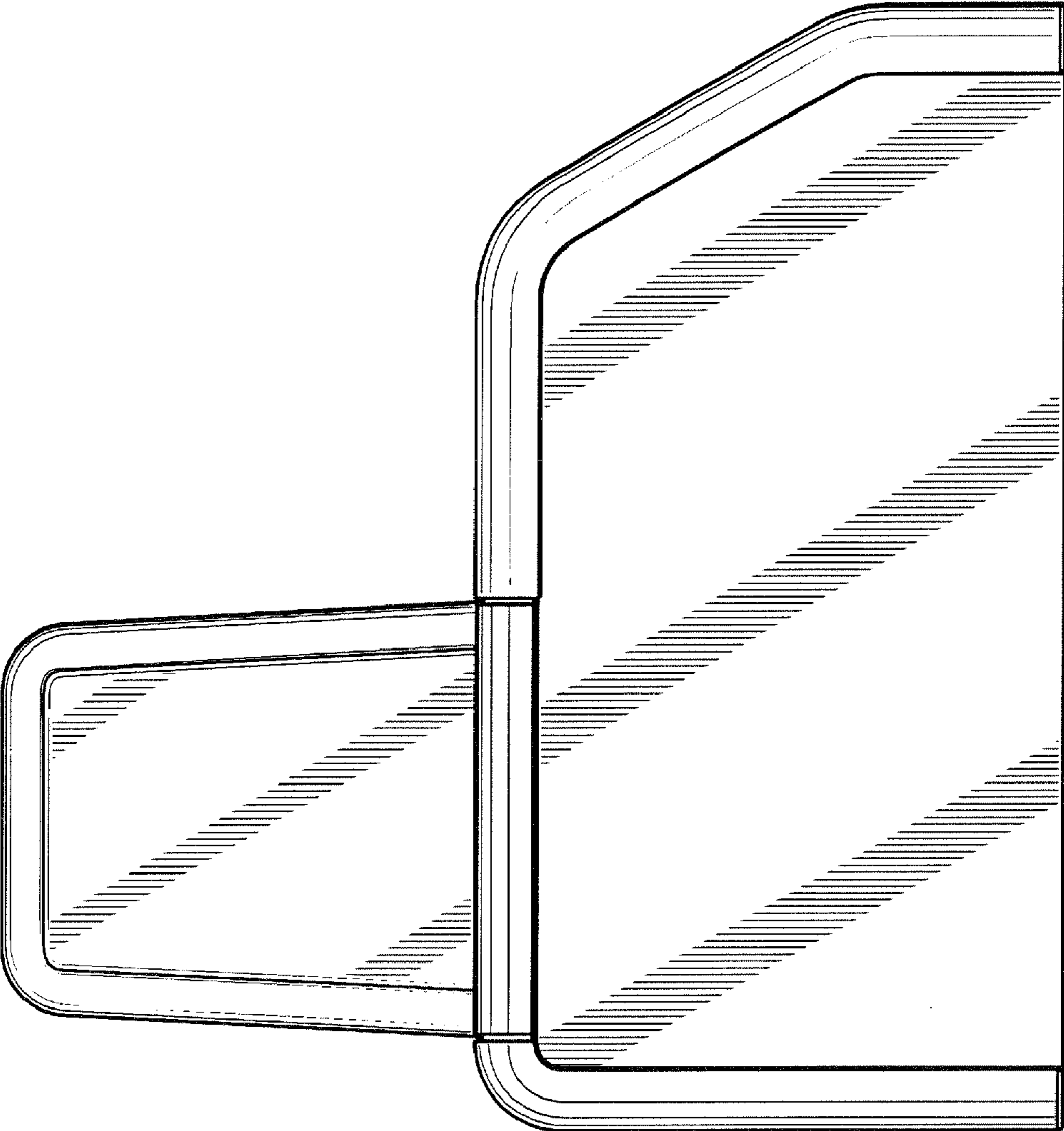


FIG. 25

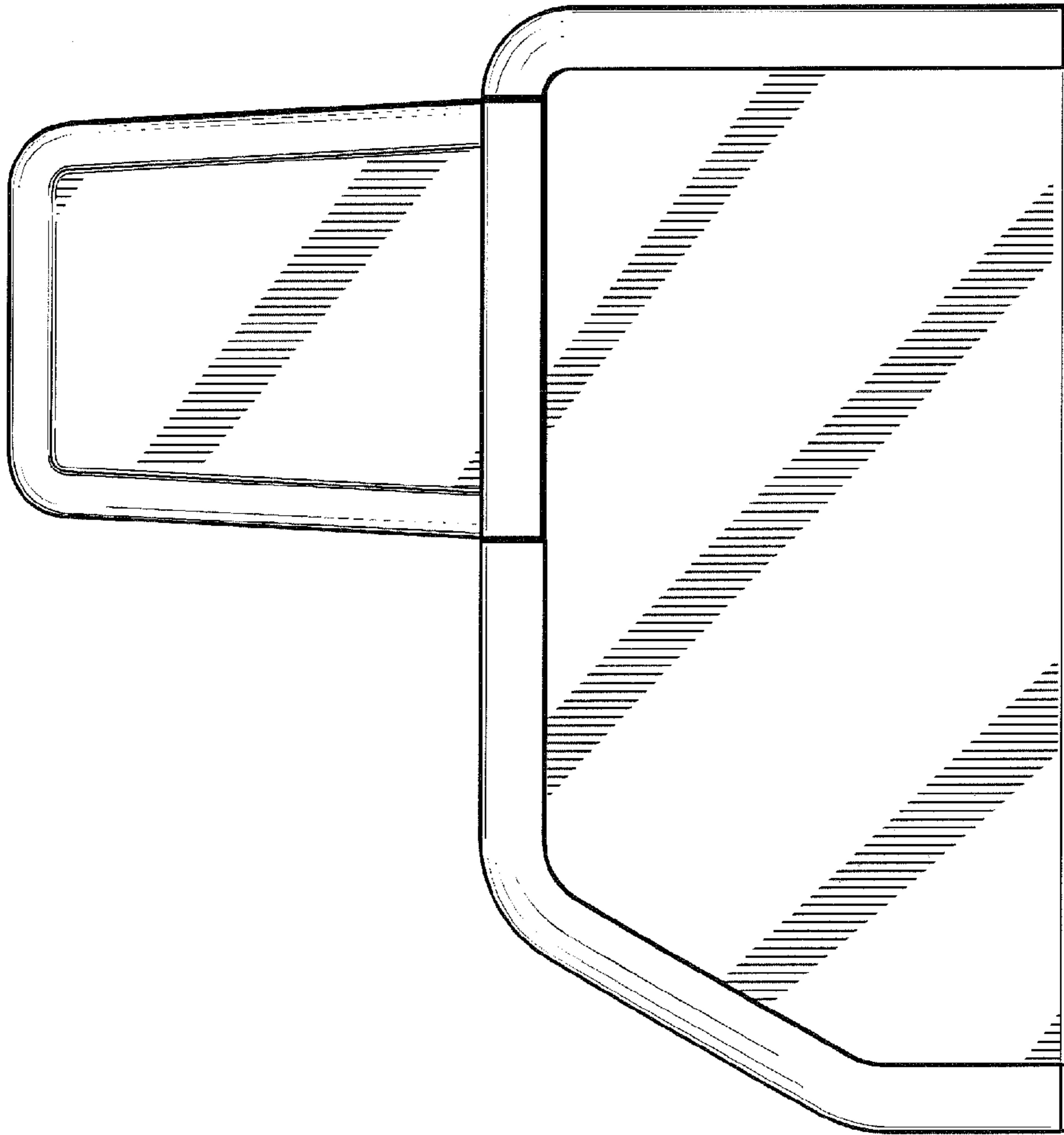


FIG. 26

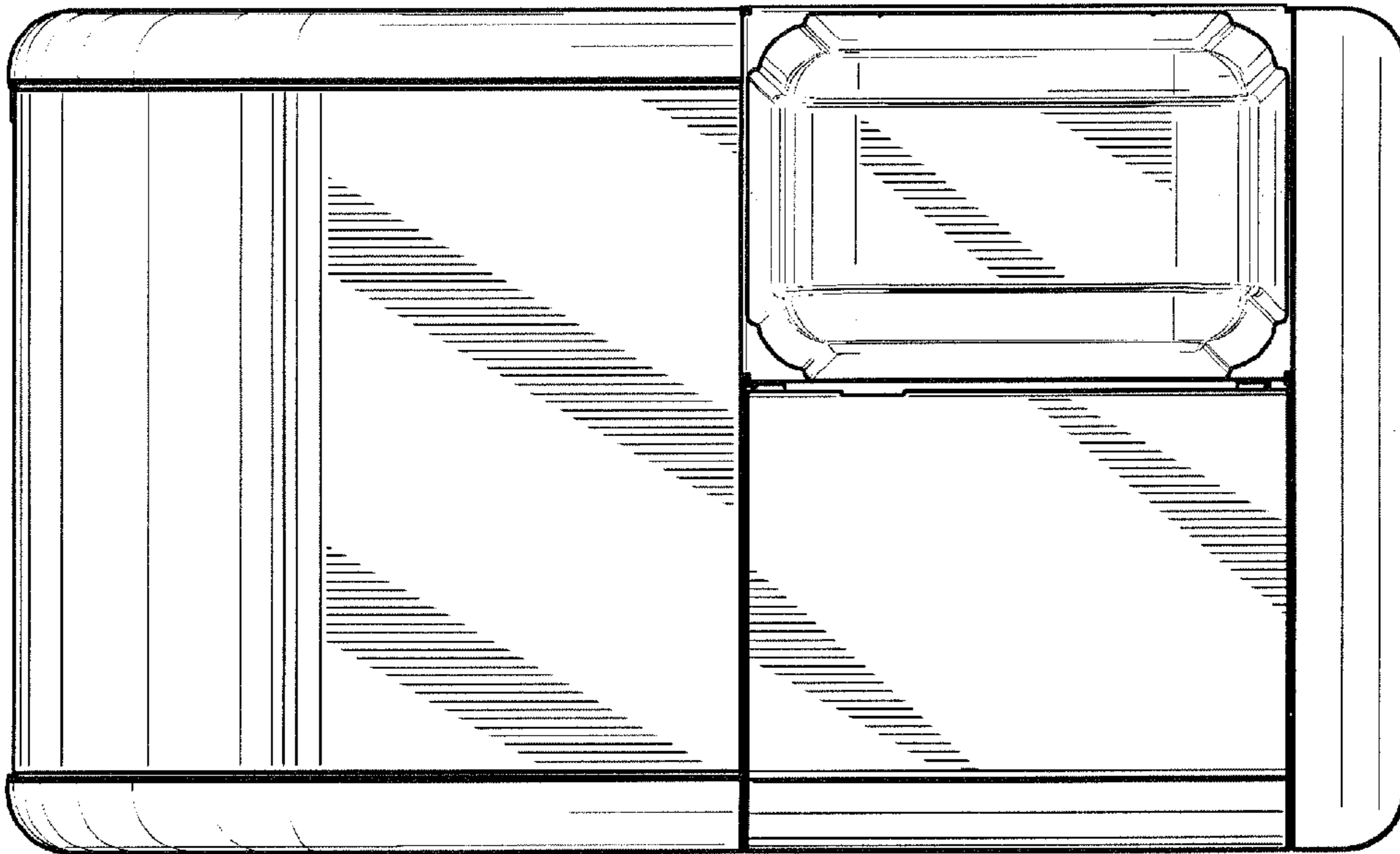


FIG. 27

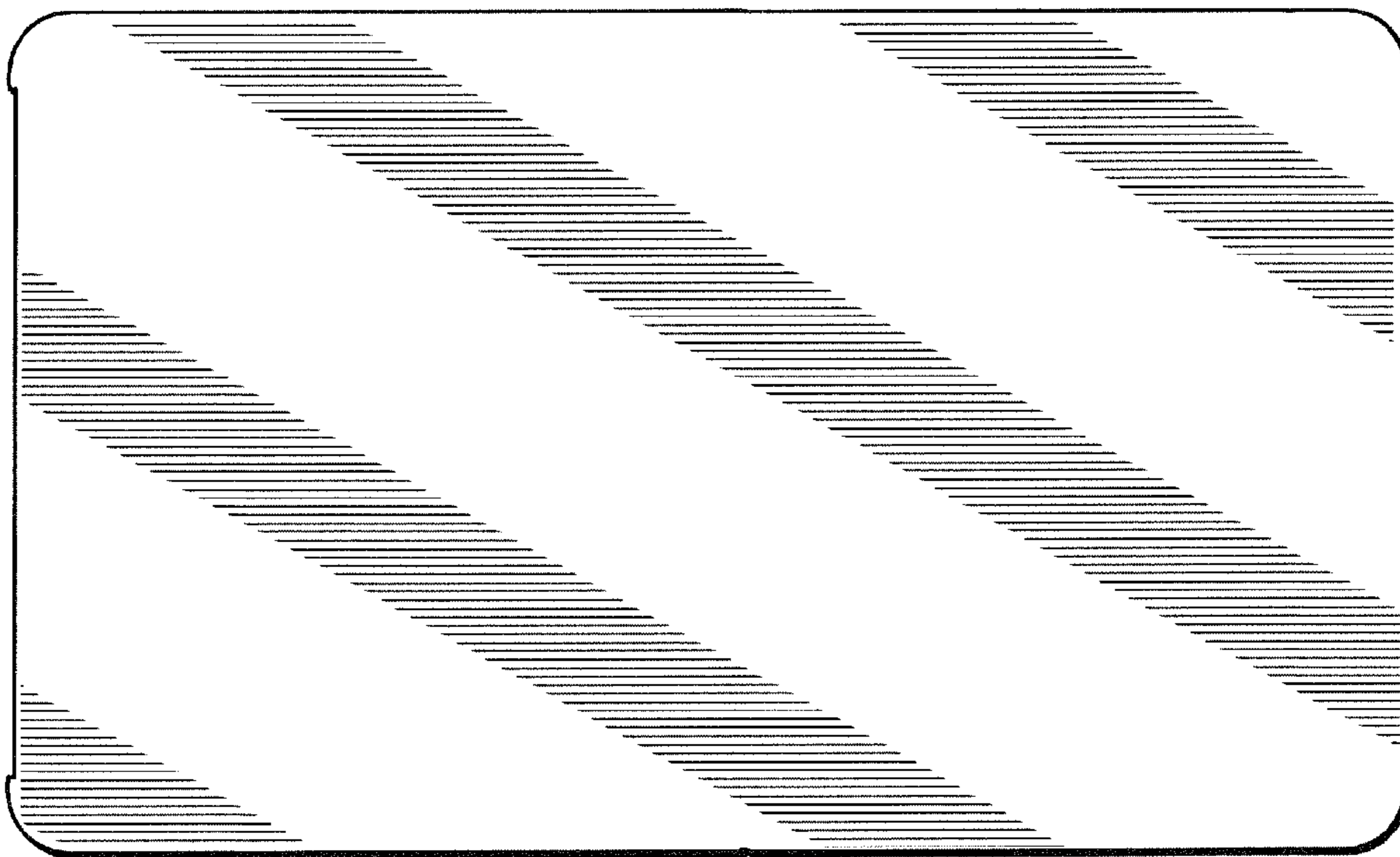


FIG. 28