



US00D562367S

(12) **United States Design Patent**
Navarro

(10) **Patent No.:** **US D562,367 S**
(45) **Date of Patent:** **** Feb. 19, 2008**

(54) **LINEAR MOTORIZED GUIDEWAY**

(57) **CLAIM**

The ornamental design for a linear motorized guideway, as shown and described.

(76) **Inventor:** **Daniel Navarro**, 601 NE. Emerson St.,
Port St. Lucie, FL (US) 34983

(**) **Term:** **14 Years**

(21) **Appl. No.:** **29/248,644**

(22) **Filed:** **Aug. 25, 2006**

(51) **LOC (8) Cl.** **15-09**

(52) **U.S. Cl.** **D15/143**

(58) **Field of Classification Search** D10/46;
D15/143; 104/281-286; 74/89.15, 490.09;
250/252.1, 374; 310/20, 80; 297/325-327,
297/14; 414/560-569; 378/207

See application file for complete search history.

Primary Examiner—Antoine D. Davis

(74) *Attorney, Agent, or Firm*—McHale & Slavin, P.A.

DESCRIPTION

This application is related to U.S. application Ser. No. 11/427,197 now U.S. Pat. No. 7,193,220 Entitled Modular Radiation Beam Analyzer, U.S. application Ser. No. 29/248,001 entitled Linear Guideway, U.S. application Ser. No. 29/248,004 entitled Linear Guideway.

FIG. 1 is a rear perspective view of the linear motorized guideway of the instant invention;

FIG. 2 is a rear plan view of the instant invention;

FIG. 3 is a front plan view of the instant invention;

FIG. 4 is a top plan view of the instant invention;

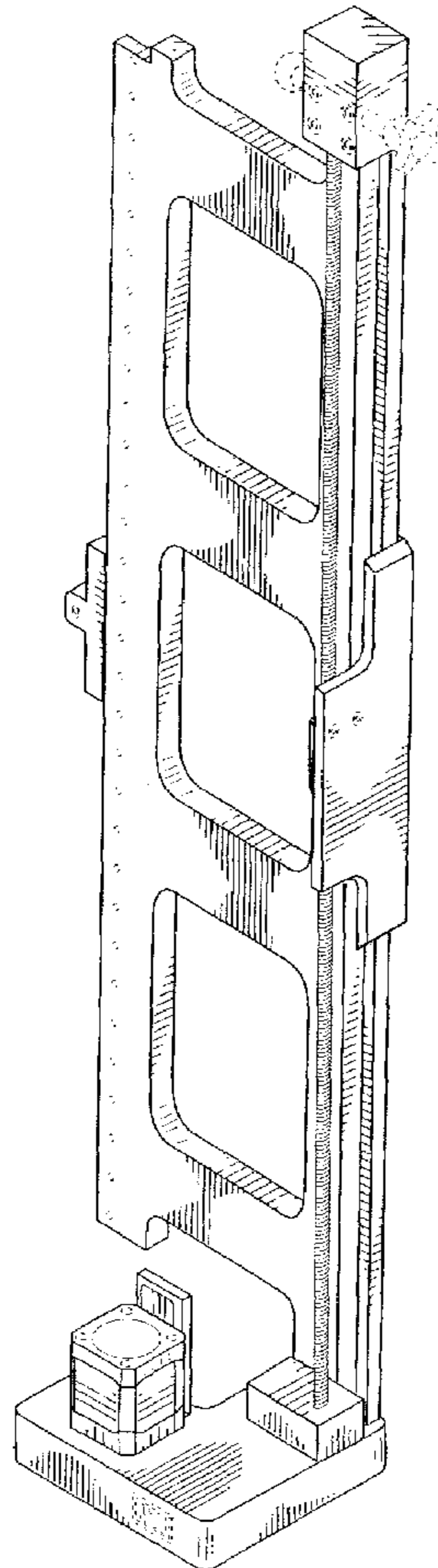
FIG. 5 is a bottom plan view of the instant invention;

FIG. 6 is a right plan view of the instant invention; and,

FIG. 7 is a left plan view of the instant invention.

The broken lines are for illustrative purposes only and form no part of the claimed design.

1 Claim, 5 Drawing Sheets



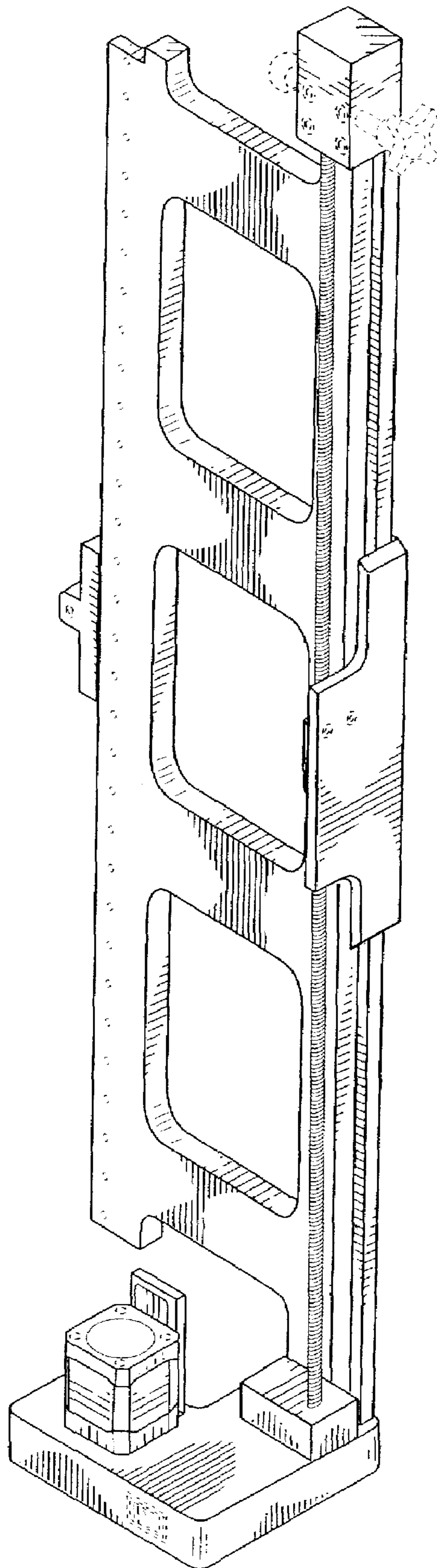


FIG. 1

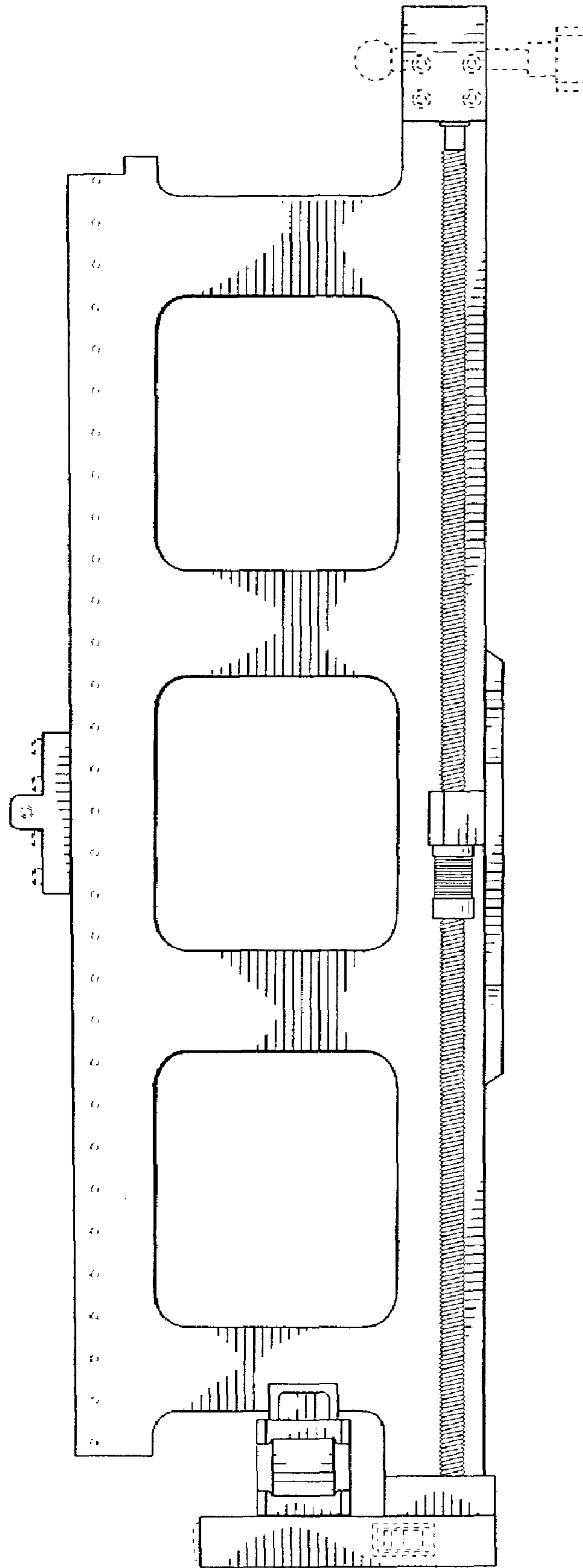


FIG. 2

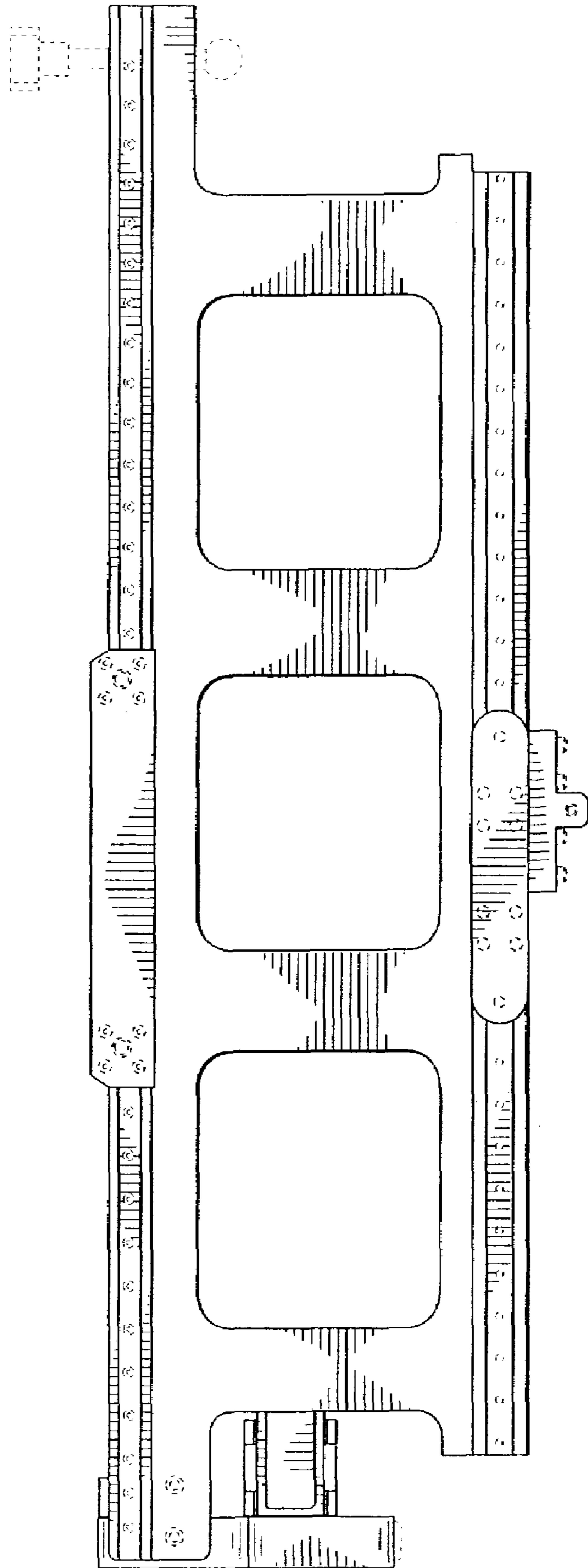


FIG. 3

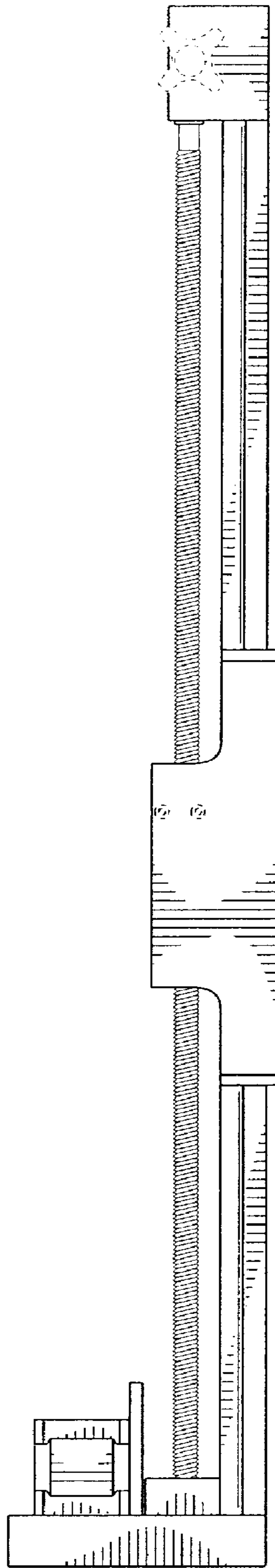


FIG. 4

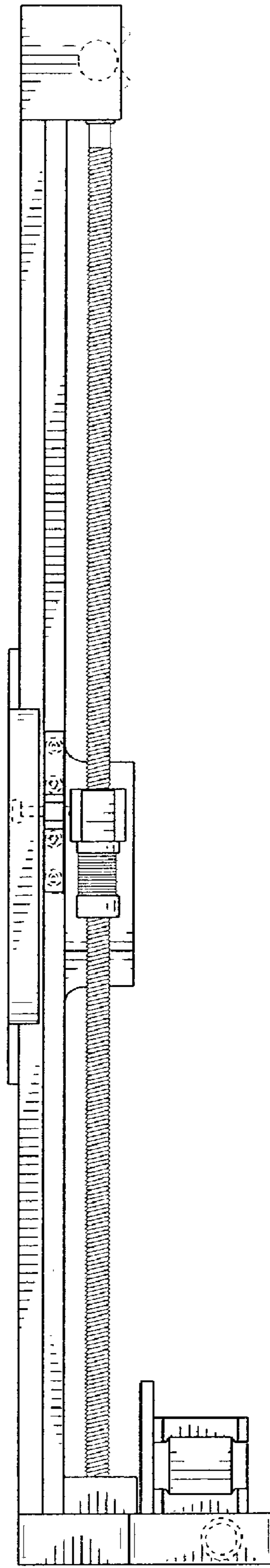


FIG. 5

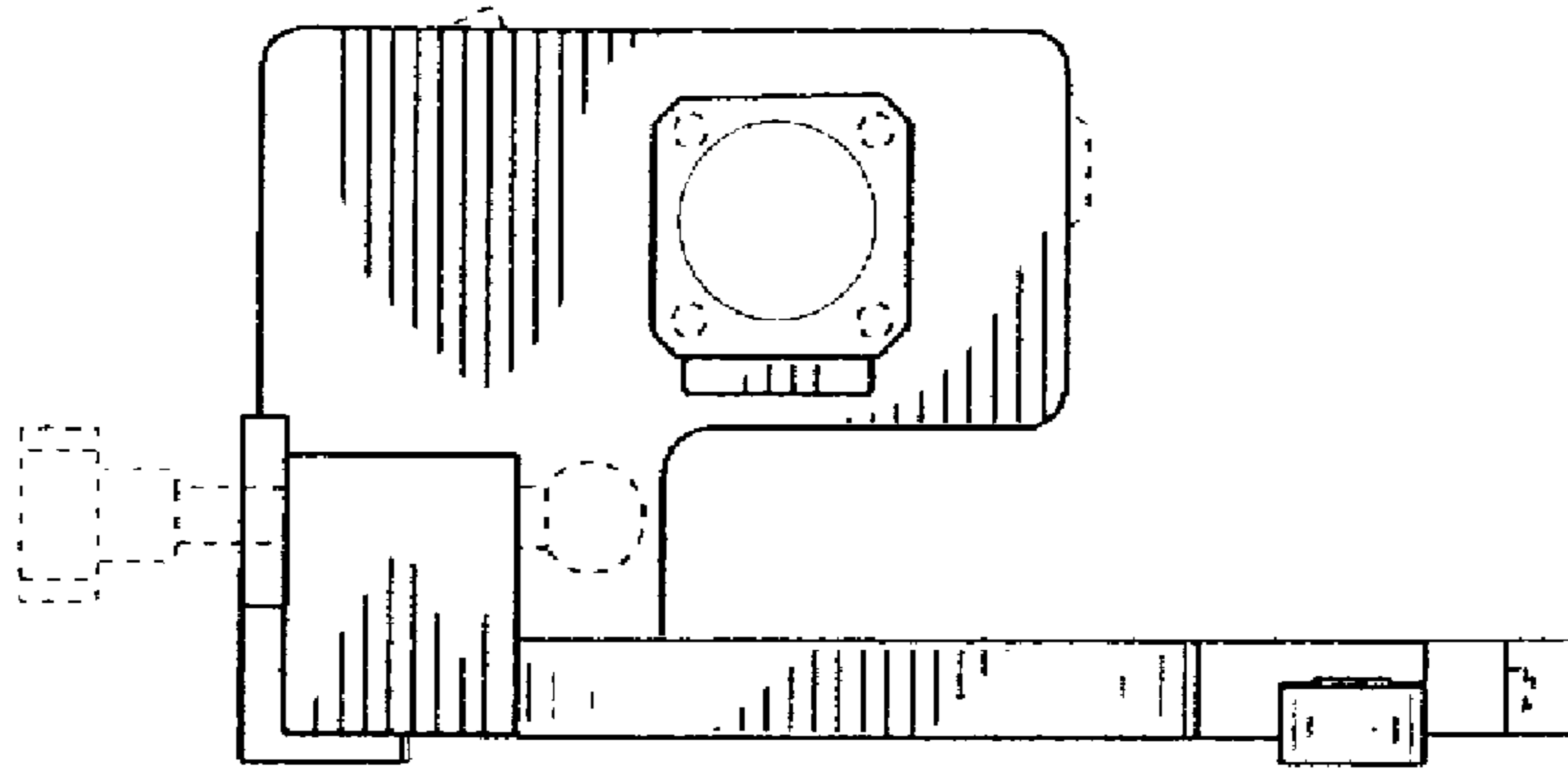


FIG. 6

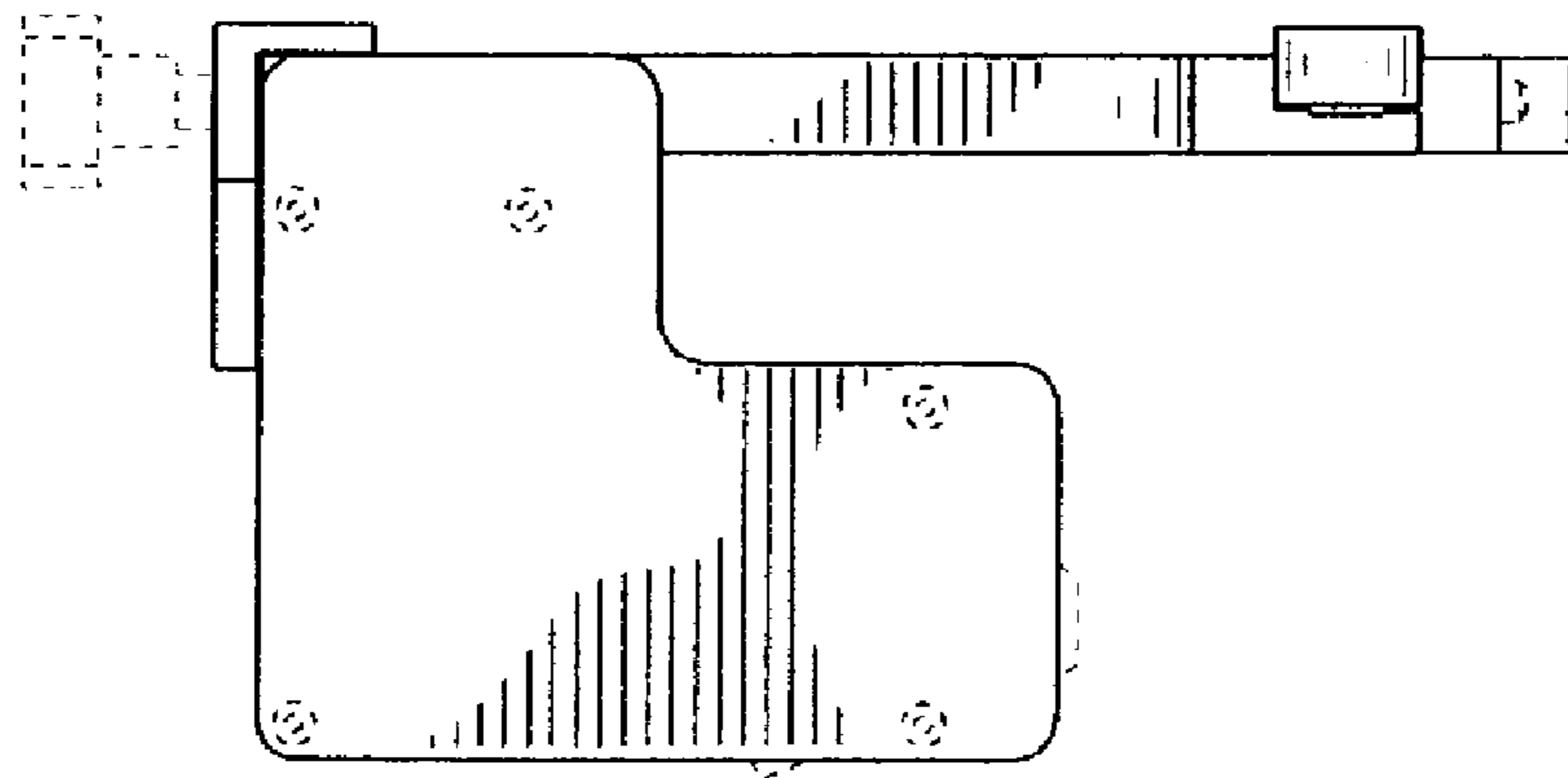


FIG. 7