



US00D562366S

(12) **United States Design Patent**  
**Navarro**

(10) **Patent No.:** **US D562,366 S**  
(45) **Date of Patent:** **\*\* Feb. 19, 2008**

(54) **LINEAR GUIDEWAY**

**DESCRIPTION**

(76) Inventor: **Daniel Navarro**, 601 NE. Emerson St.,  
Port St. Lucie, FL (US) 34983

(\*\*) Term: **14 Years**

(21) Appl. No.: **29/248,004**

(22) Filed: **Jul. 25, 2006**

(51) **LOC (8) Cl.** ..... **15-09**

(52) **U.S. Cl.** ..... **D15/143**

(58) **Field of Classification Search** ..... D10/46;  
D15/143; 104/281-286; 74/89.15, 490.09;  
250/252.1, 374; 310/20, 80; 297/325-327,  
297/14; 414/560-569; 378/207

See application file for complete search history.

*Primary Examiner*—Antoine D. Davis

(74) *Attorney, Agent, or Firm*—McHale & Slavin, P.A.

This application is related to U.S. application Ser. No. 11/427,197 now U.S. Pat. No. 7,193,220 Entitled Modular Radiation Beam Analyzer, U.S. application Ser. No. 29/248,001 entitled Motorized Guideway, U.S. application Ser. No. 29/248,644 entitled Linear Motorized Guideway.

FIG. 1 is a rear perspective view of the linear guideway of the instant invention;

FIG. 2 is a rear plan view of the instant invention;

FIG. 3 is a front plan view of the instant invention;

FIG. 4 is a top plan view of the instant invention;

FIG. 5 is a bottom plan view of the instant invention;

FIG. 6 is a right plan view of the instant invention; and,

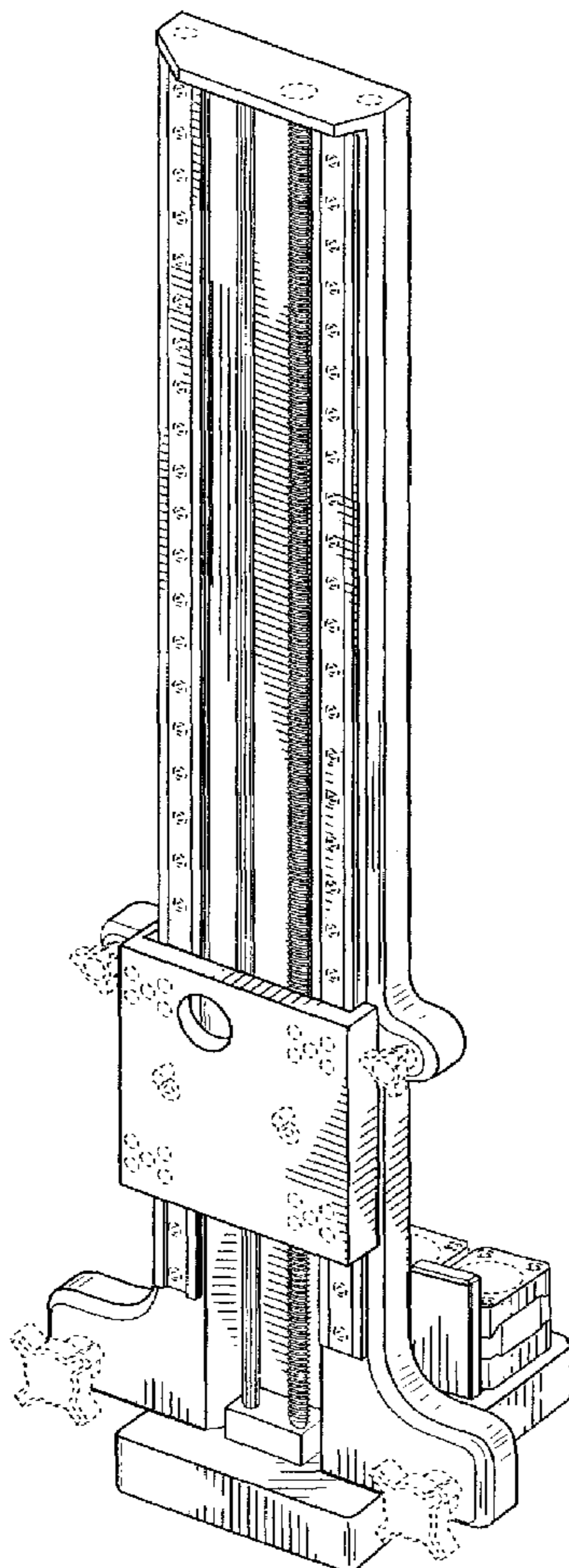
FIG. 7 is a left plan view of the instant invention.

The broken lines are for illustrative purposes only and form no part of the claimed design.

(57) **CLAIM**

The ornamental design for a linear guideway, as shown and described.

**1 Claim, 6 Drawing Sheets**



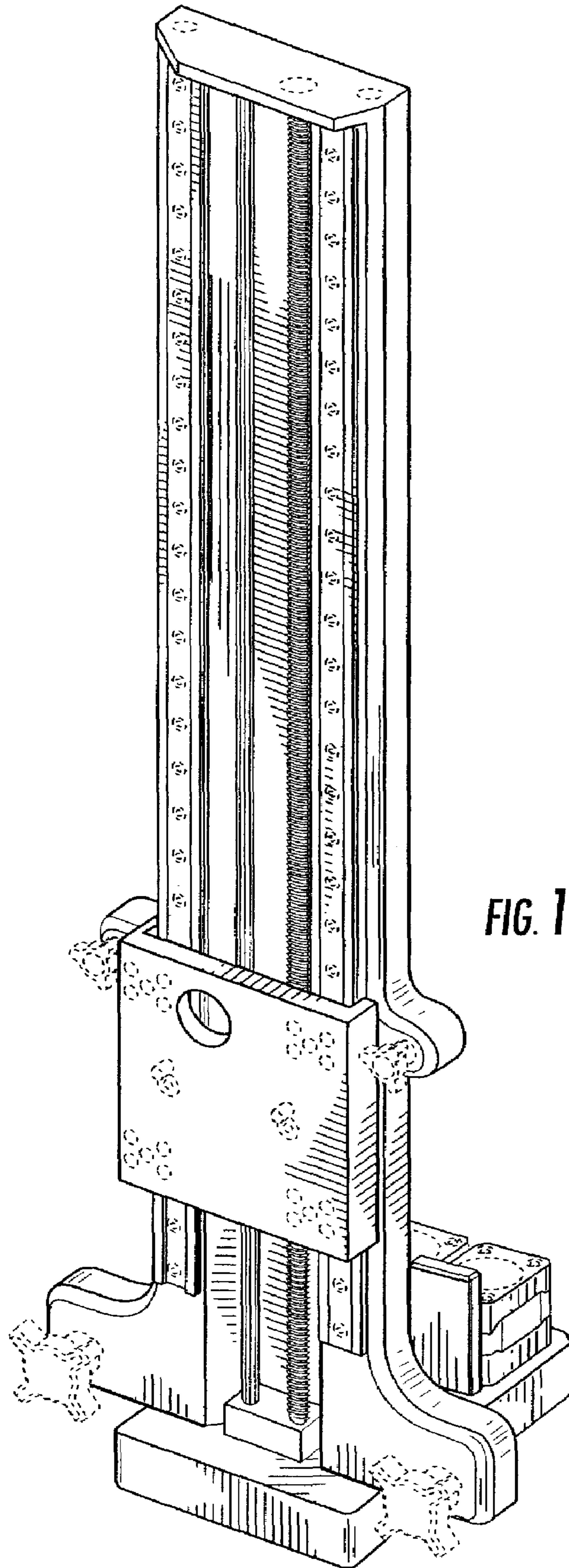


FIG. 1

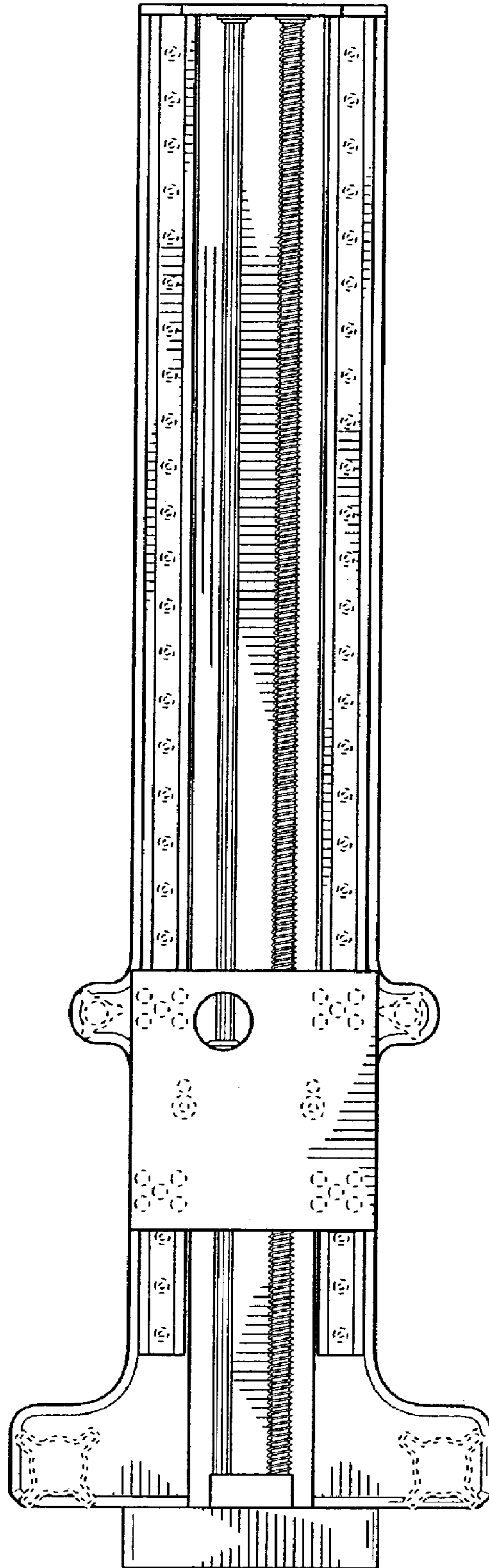


FIG. 2

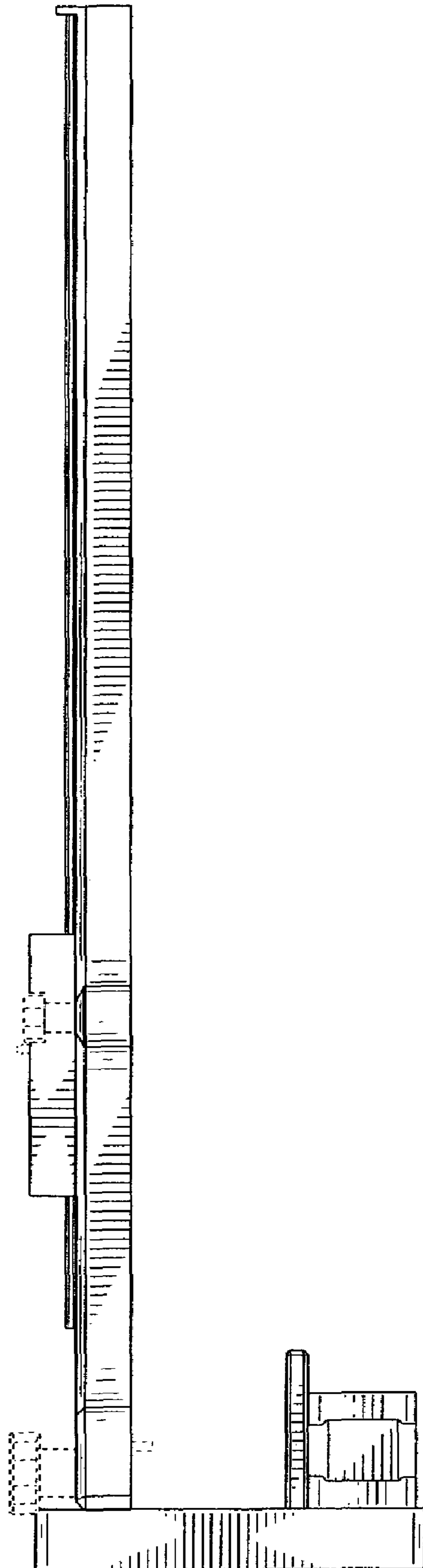


FIG. 3

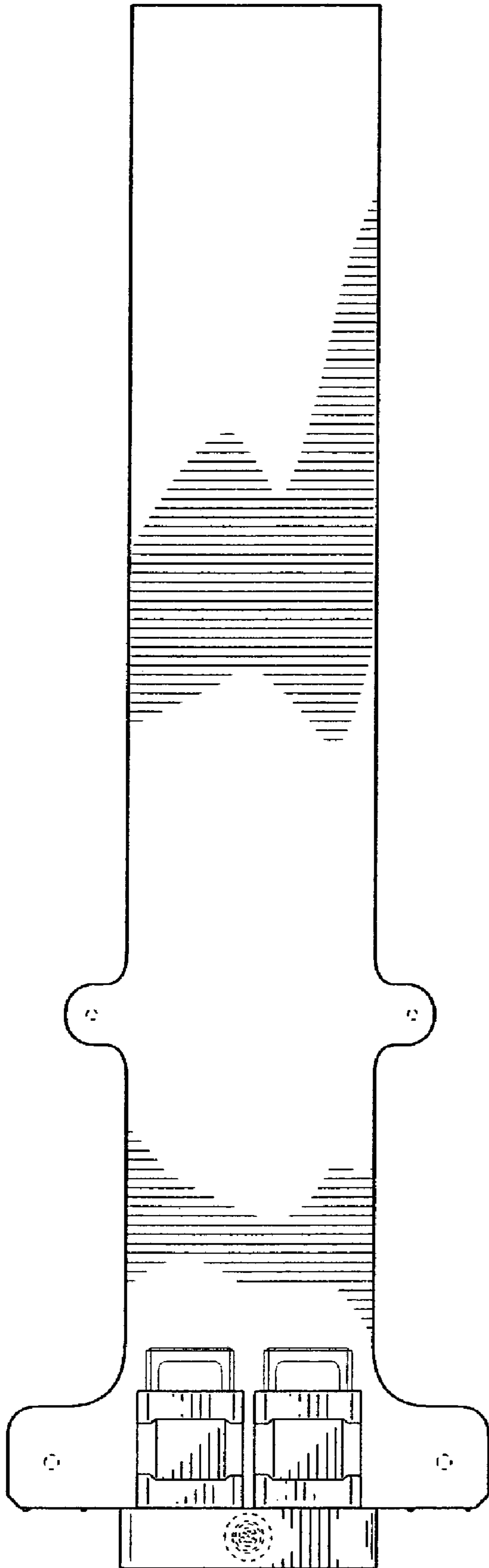


FIG. 4

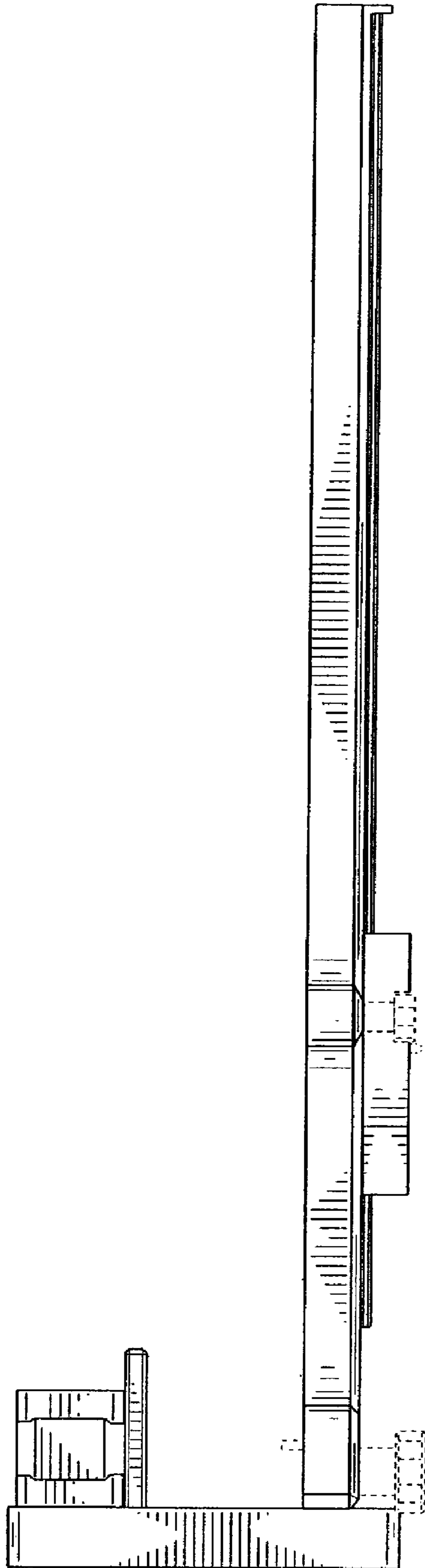
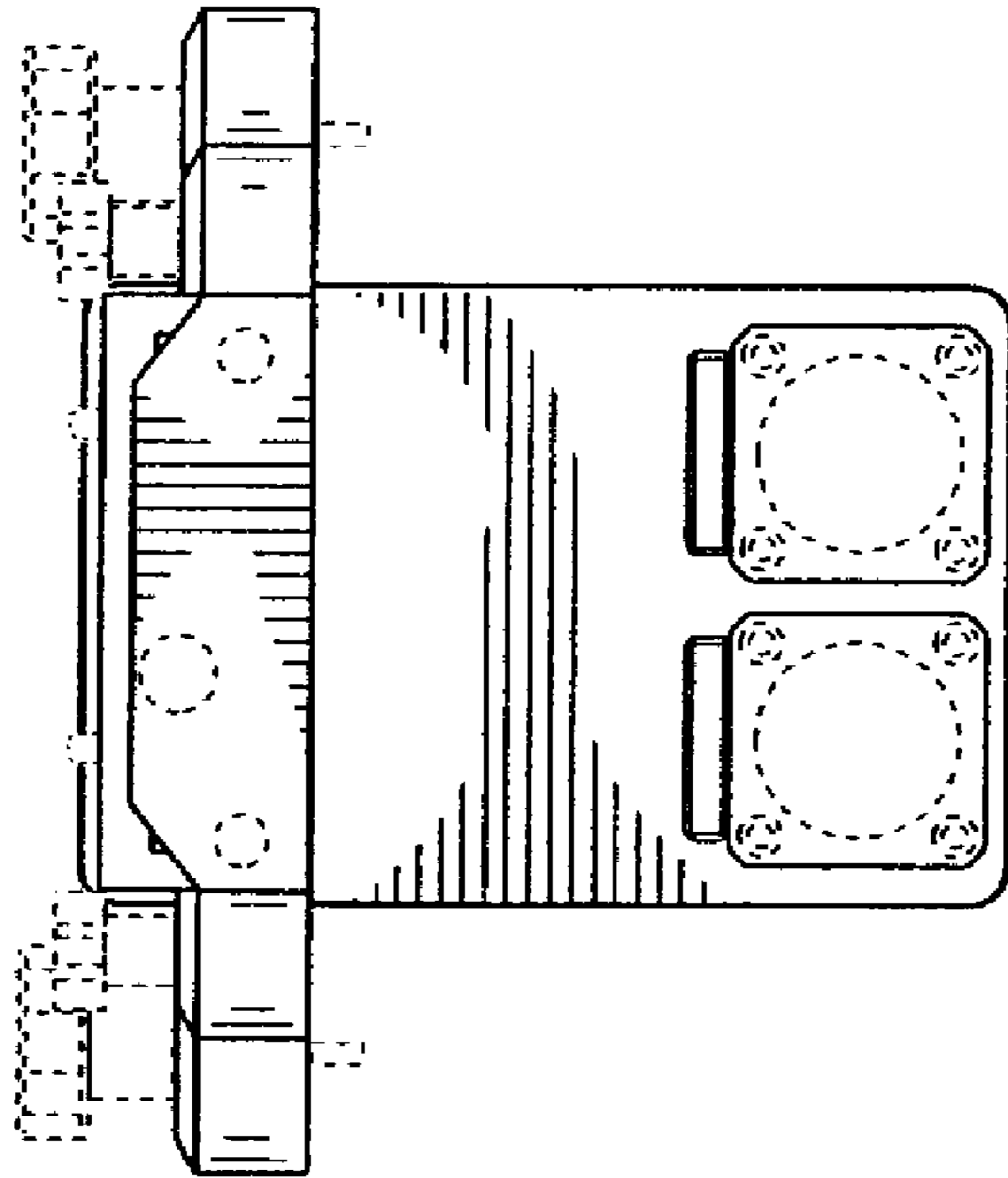
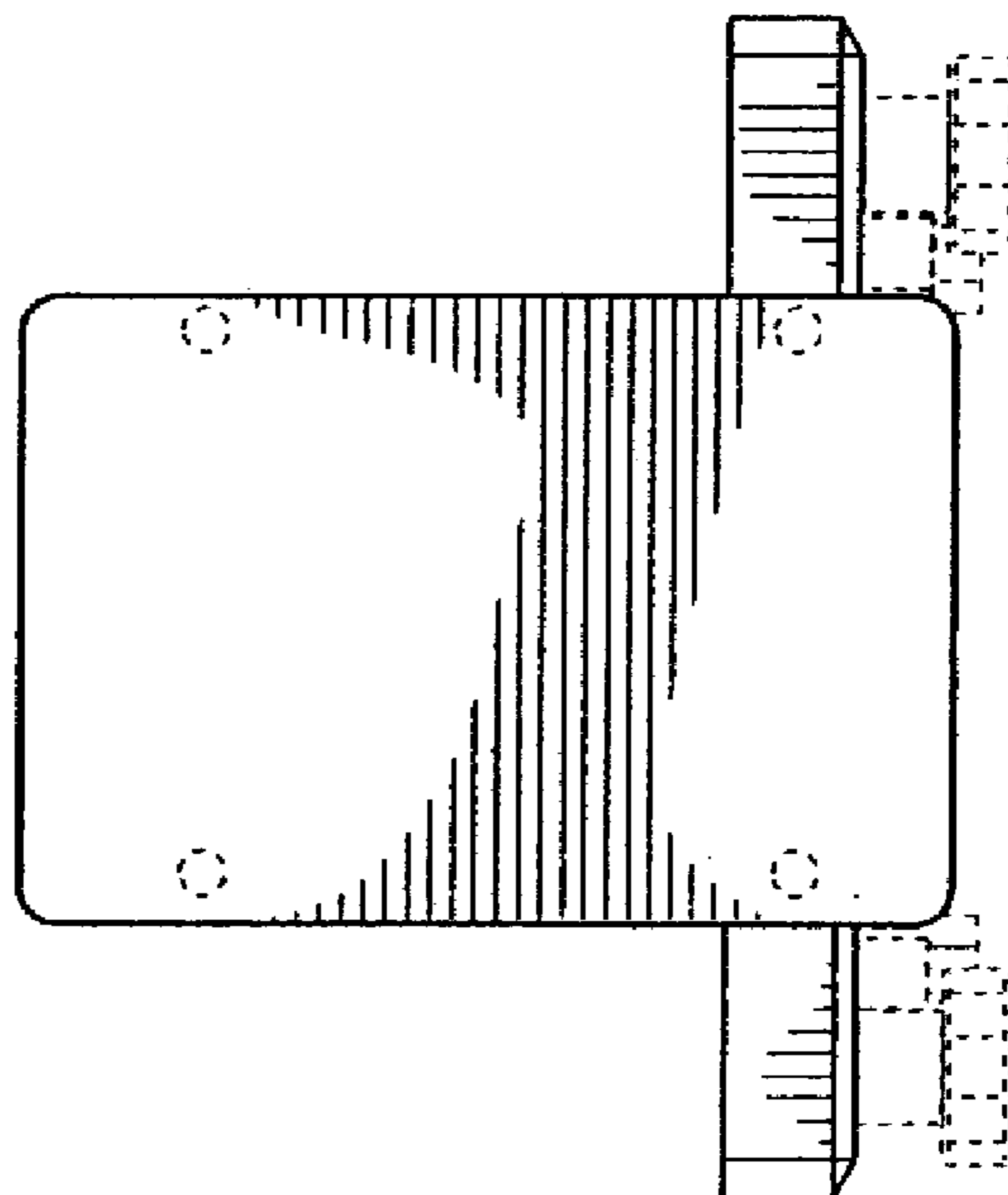


FIG. 5



**FIG. 6**



**FIG. 7**