



US00D562359S

(12) **United States Design Patent** (10) **Patent No.:** **US D562,359 S**
Schreuder et al. (45) **Date of Patent:** **** Feb. 19, 2008**

(54) **COOLER**

(75) Inventors: **Marcel Arthur Jan Schreuder**,
 Amsterdam (NL); **C. Eric Johnson**,
 Alpharetta, GA (US); **Alvin F. Chow**,
 Beaverton, OR (US); **John A. Turner,**
Jr., Atlanta, GA (US); **Bobby R.**
Cooper, Marietta, GA (US)

D176,840 S * 2/1956 Robertson et al. D15/83
 2,756,570 A * 7/1956 Gale 62/331
 4,449,761 A * 5/1984 Davis et al. 312/116
 D283,897 S * 5/1986 Mitchell D15/79
 D439,913 S * 4/2001 Jobst D15/84
 D449,845 S * 10/2001 Reese et al. D15/83
 D491,581 S * 6/2004 Jang et al. D15/83
 D501,489 S * 2/2005 Seo et al. D15/83
 D501,663 S * 2/2005 Yu et al. D15/83

(73) Assignee: **The Coca-Cola Company**, Atlanta, GA
 (US)

* cited by examiner

(**) Term: **14 Years**

Primary Examiner—Stella M. Reid

Assistant Examiner—Shanda C. Hill

(21) Appl. No.: **29/201,626**

(74) *Attorney, Agent, or Firm*—Ivor J. Longo

(22) Filed: **Mar. 18, 2004**

(57) **CLAIM**

We claim the ornamental design for a cooler, as shown.

(51) **LOC (8) Cl.** **15-07**

(52) **U.S. Cl.** **D15/81; D15/83**

(58) **Field of Classification Search** D15/79,
 D15/81–86, 88; D6/470; 62/246–255, 331,
 62/337, 440–449, 3.6; 220/349, 592.1–592.4;
 312/114, 116, 236, 401

See application file for complete search history.

DESCRIPTION

FIG. 1 is a front right side perspective view of a cooler showing our new design;

FIG. 2 is a front elevational view thereof;

FIG. 3 is a rear elevational view thereof;

FIG. 4 is a left side elevational view thereof;

FIG. 5 is a right side elevational view thereof;

FIG. 6 is a top plan view thereof; and,

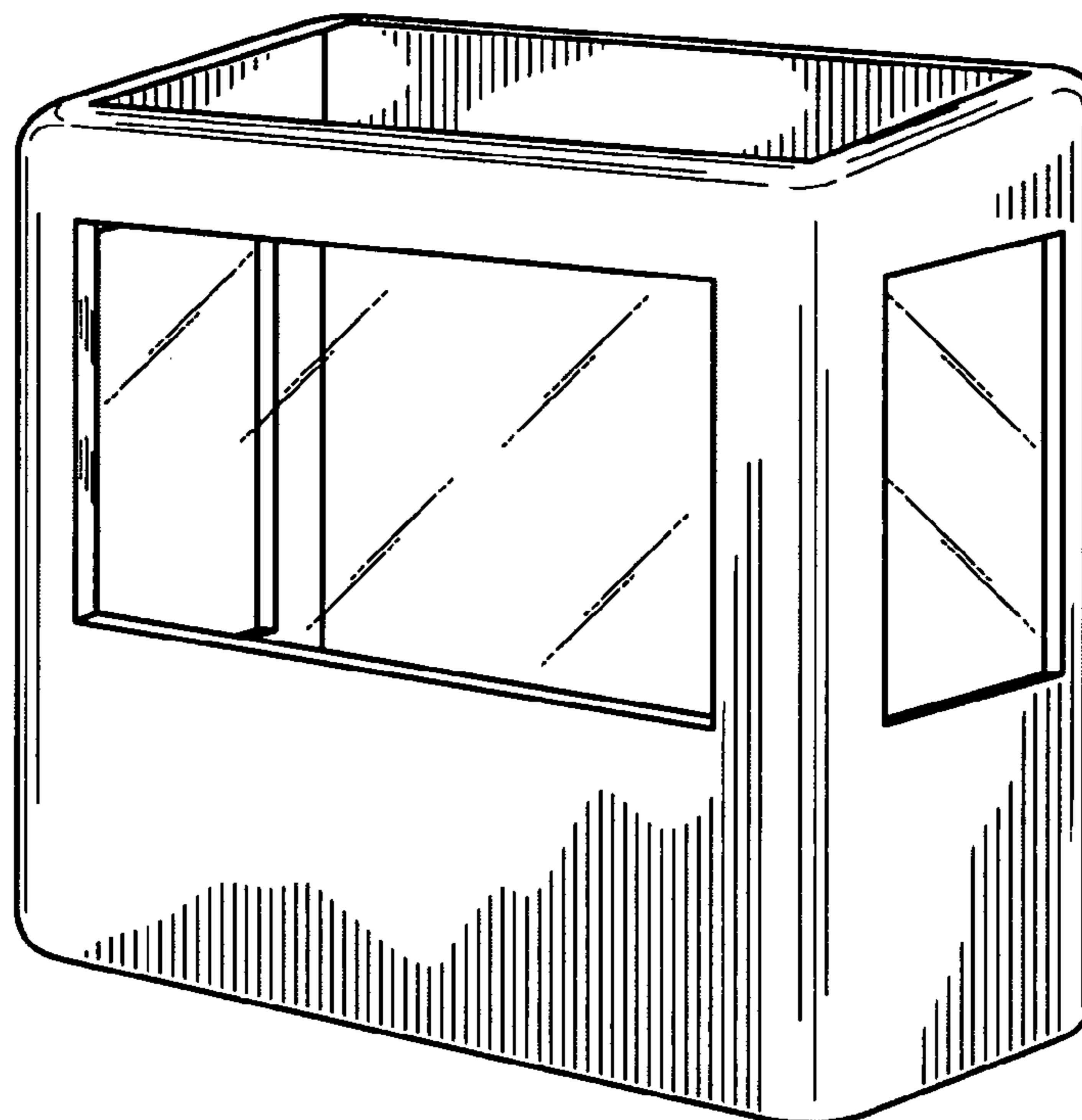
FIG. 7 is a bottom plan view thereof.

(56) **References Cited**

U.S. PATENT DOCUMENTS

D101,525 S * 10/1936 Frick D15/84
 2,276,635 A * 3/1942 Weber 220/349
 D147,921 S * 11/1947 Money et al. D15/85
 D147,922 S * 11/1947 Money et al. D15/85

1 Claim, 4 Drawing Sheets



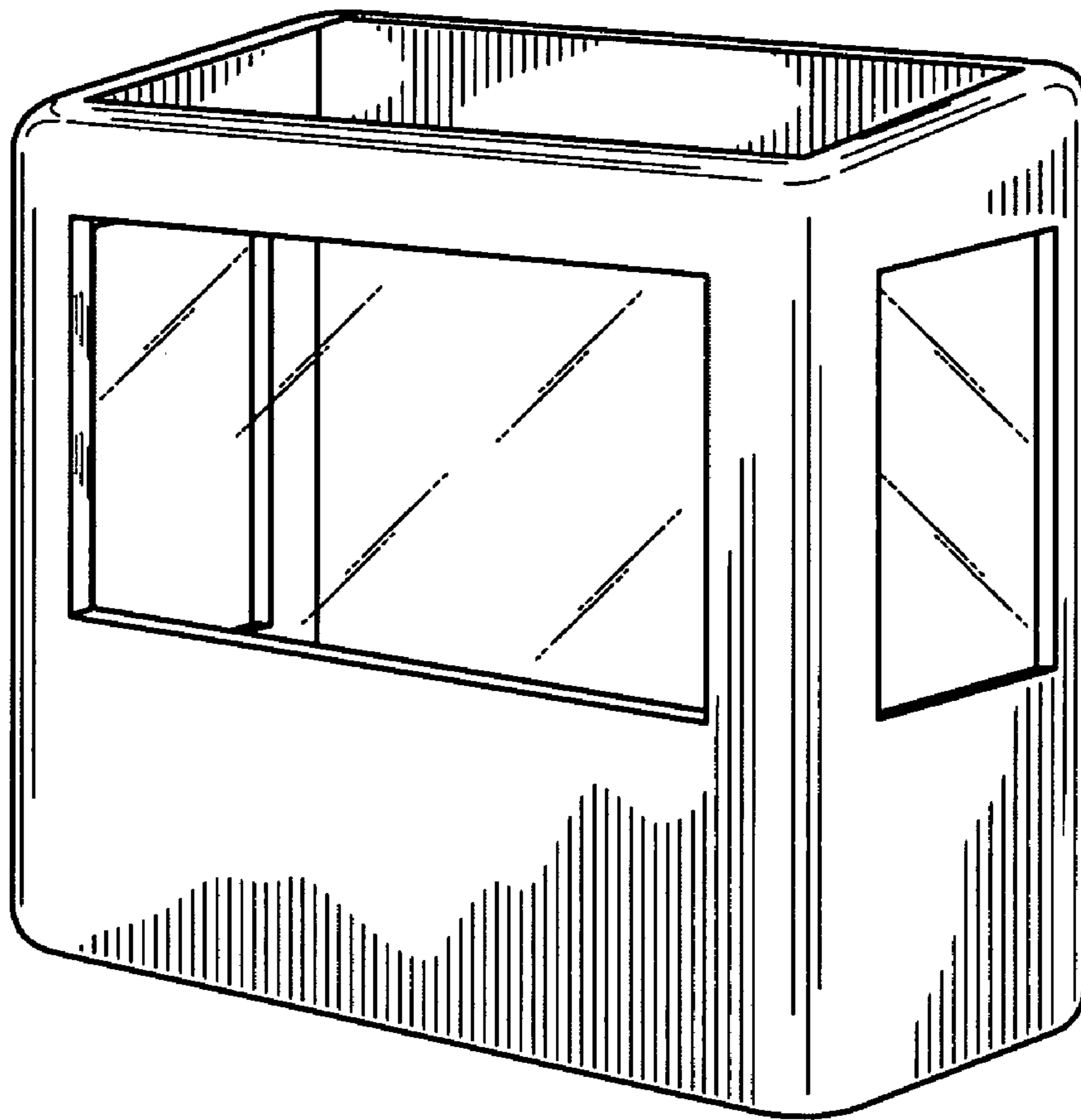


FIG. 1

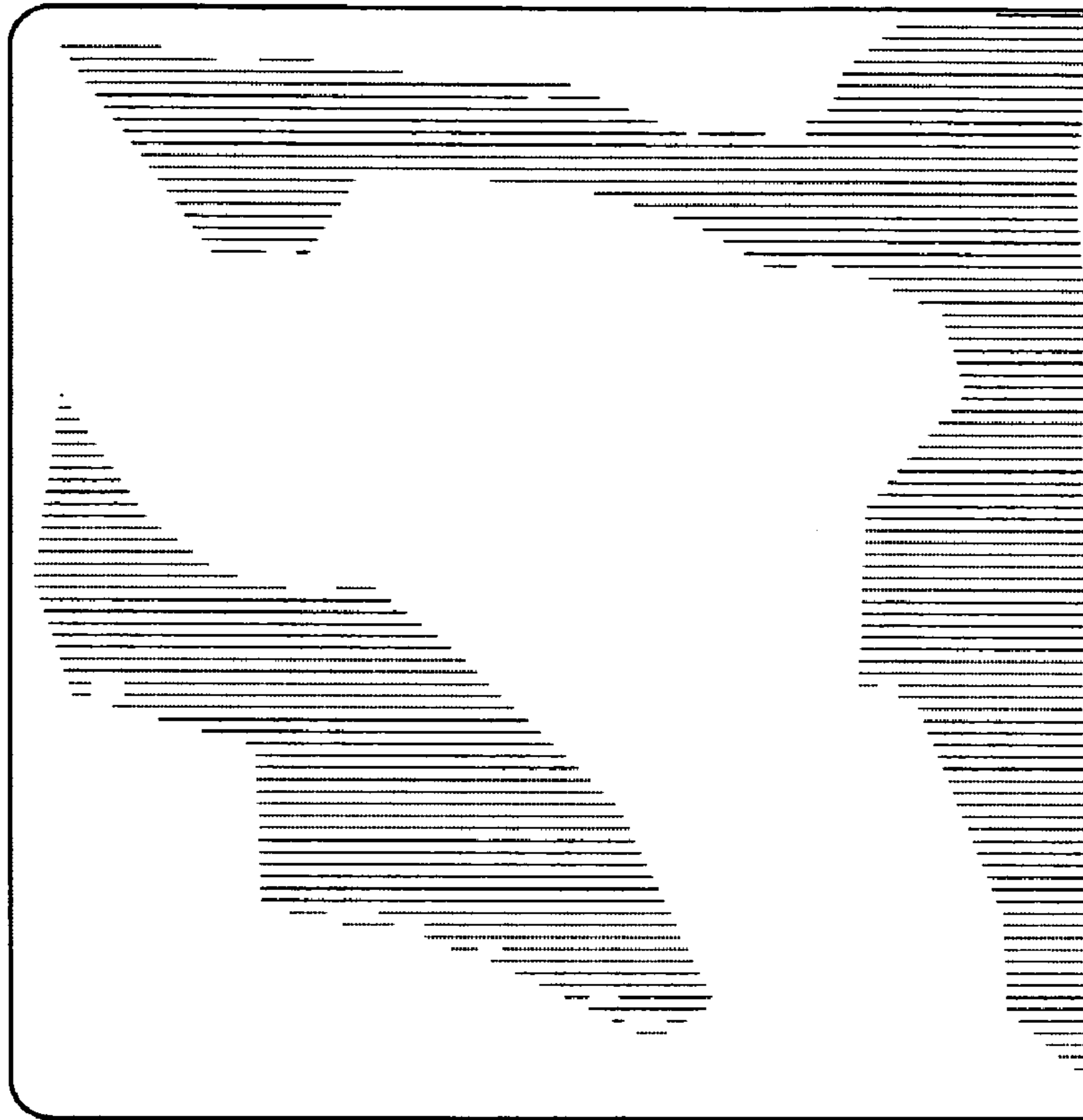


FIG. 3

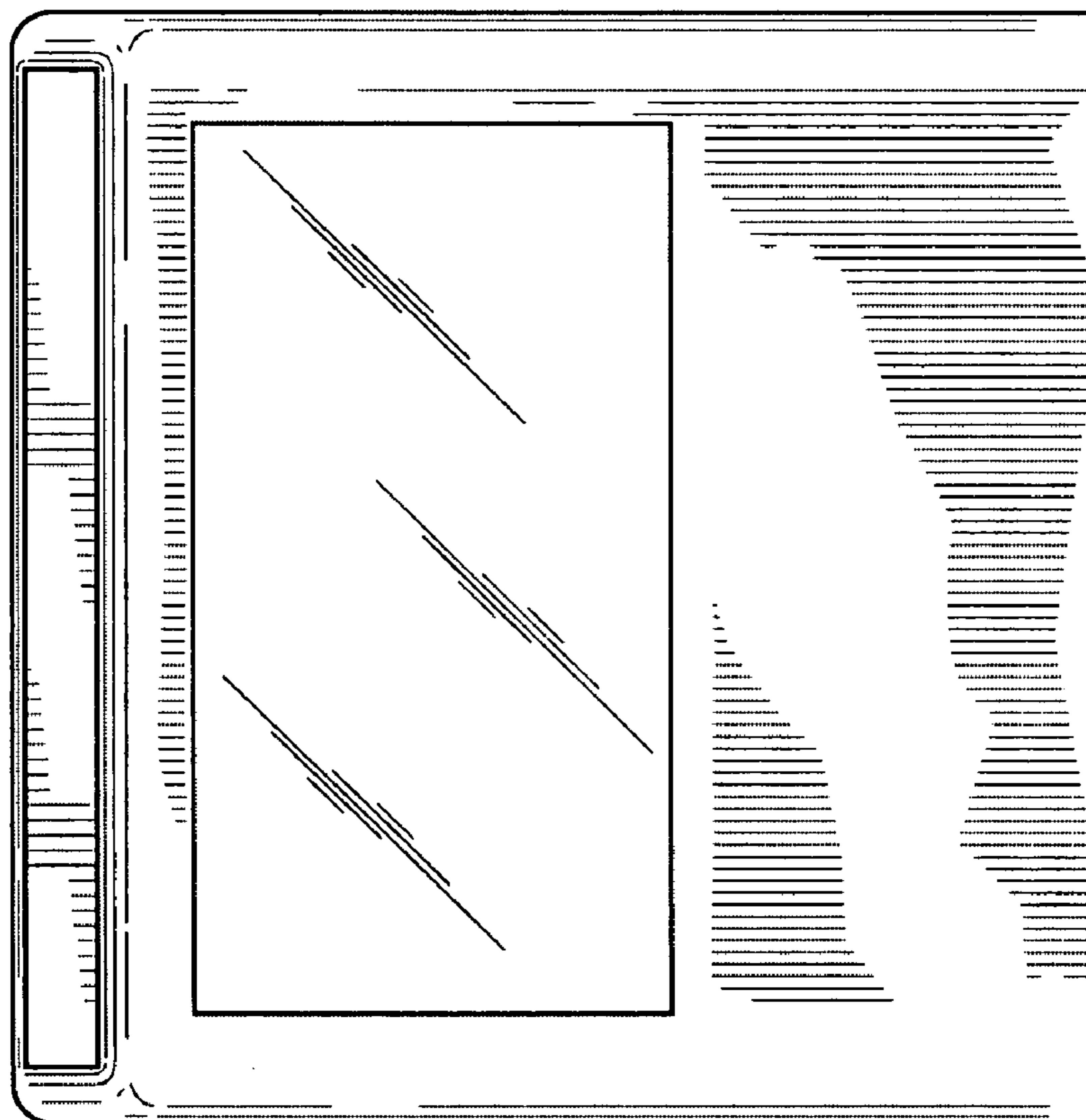


FIG. 2

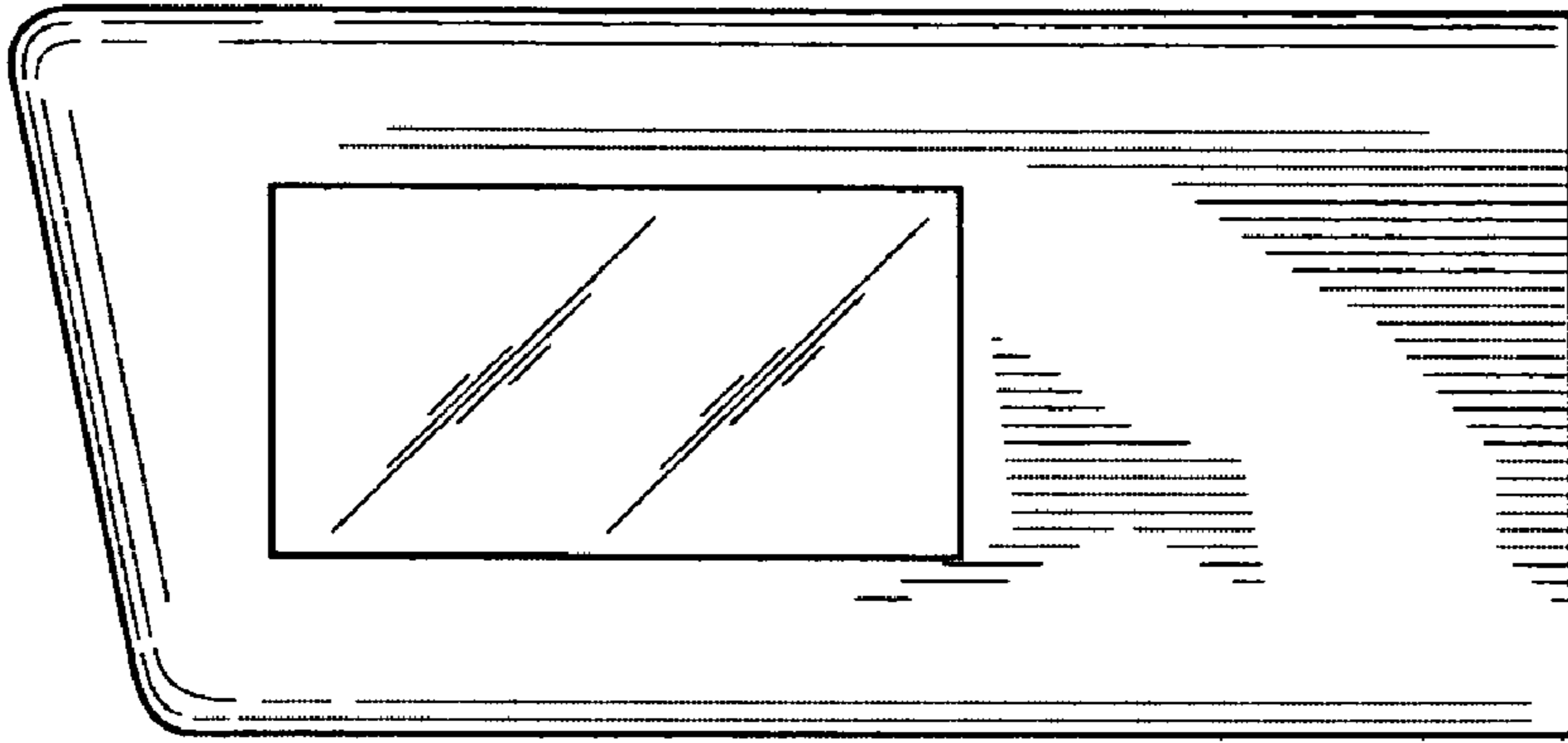


FIG. 5

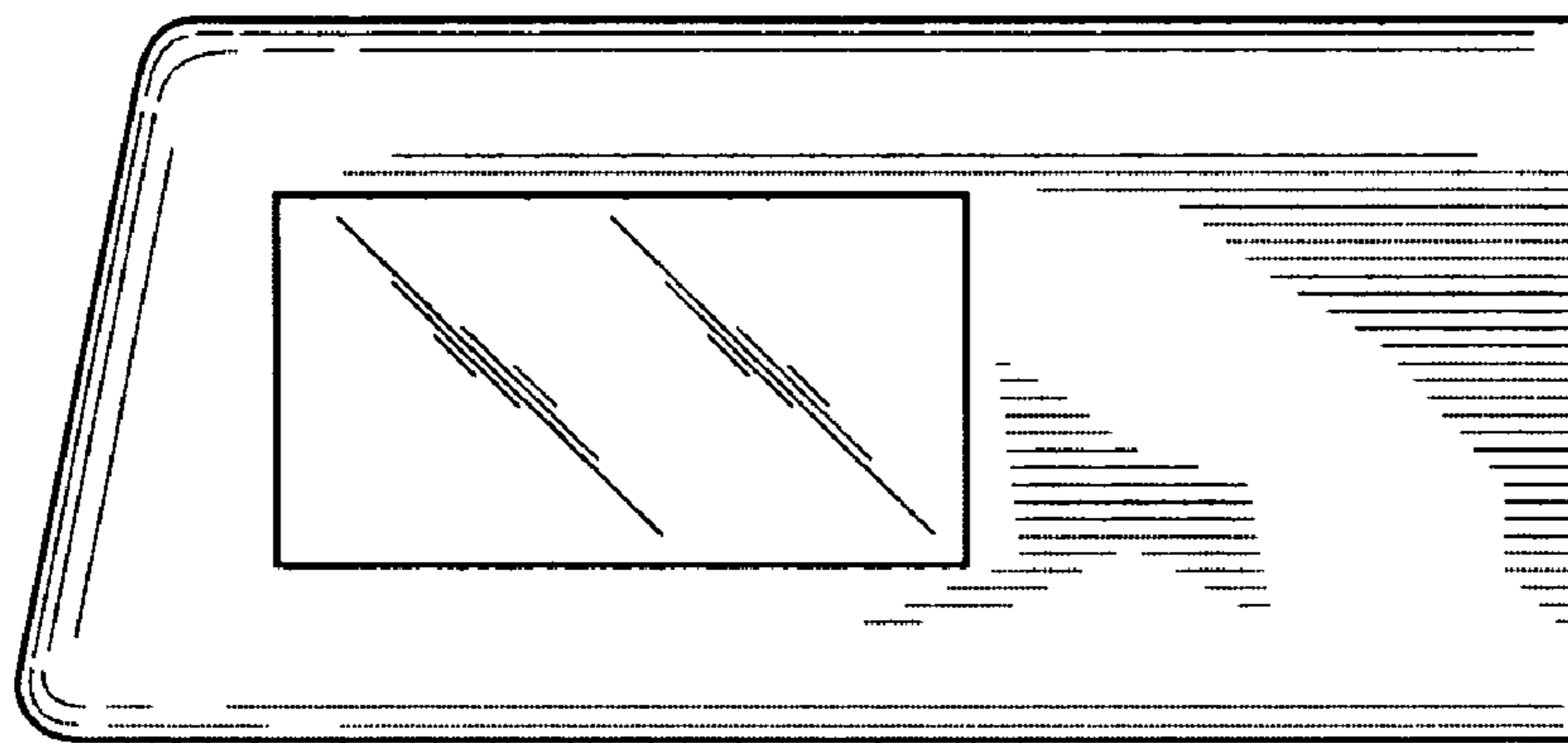


FIG. 4

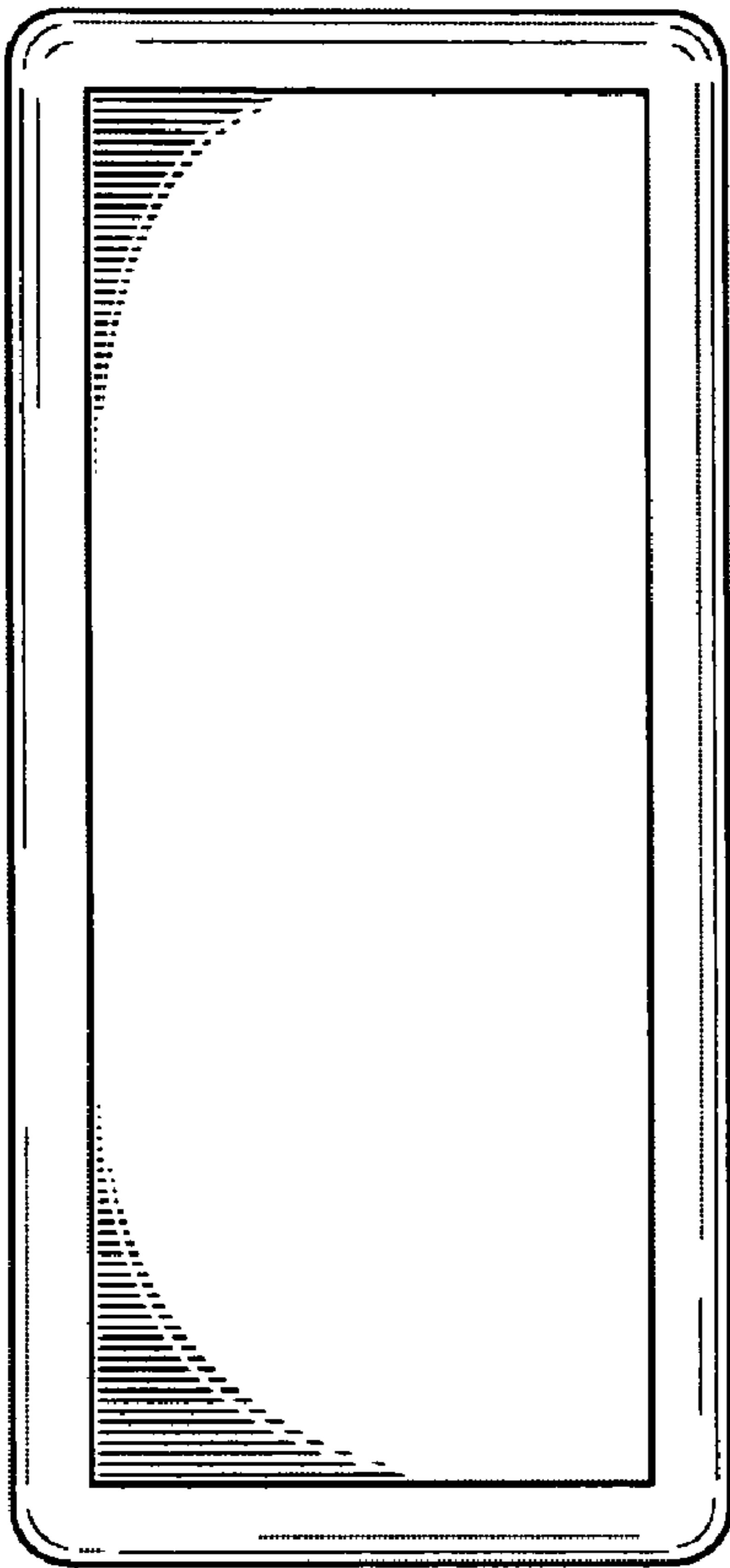


FIG. 6

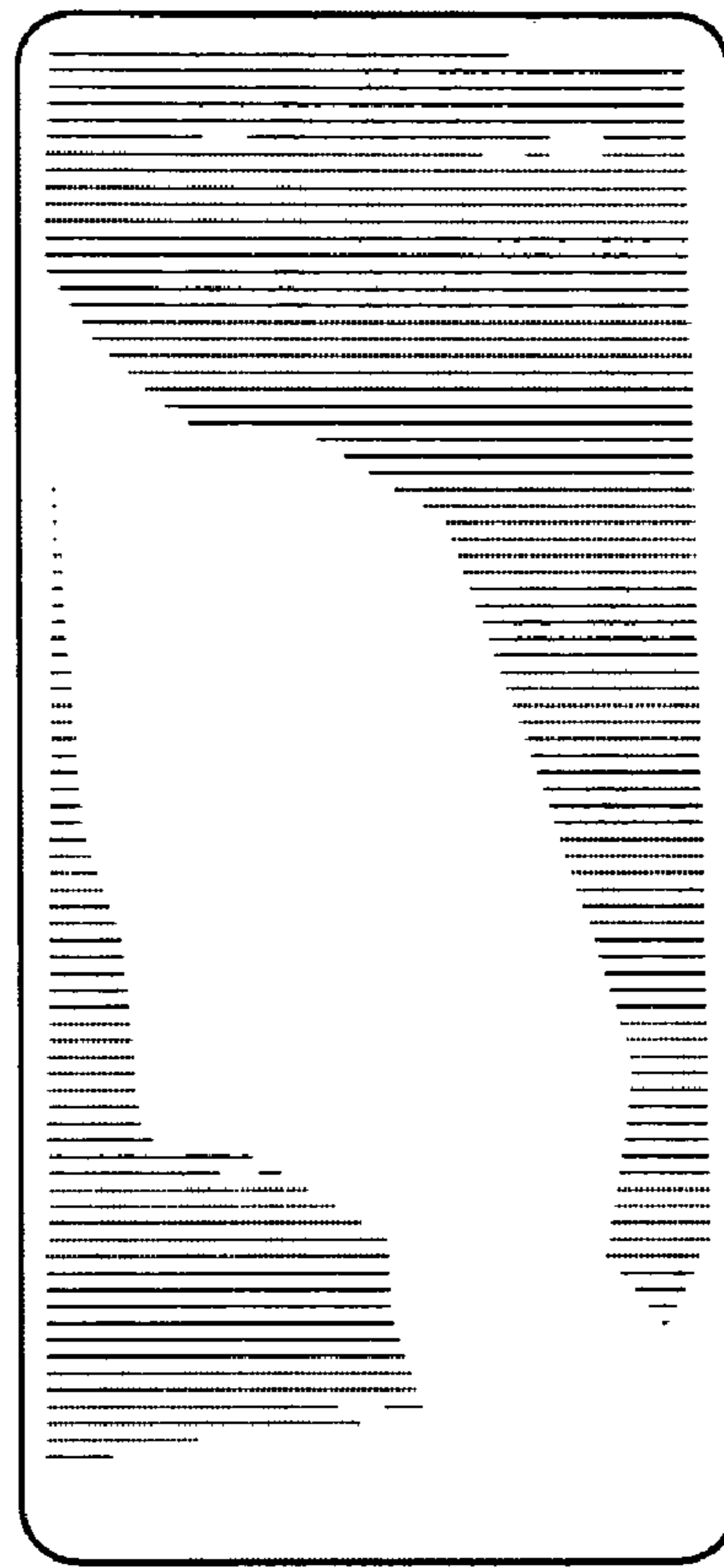


FIG. 7