

US00D562357S

(12) **United States Design Patent**
Hardy

(10) **Patent No.:** **US D562,357 S**

(45) **Date of Patent:** **** Feb. 19, 2008**

(54) **DISK FOR ROTARY MOWER KNIVES**

(75) Inventor: **Brian Eldon Hardy**, Sioux Falls, SD
(US)

(73) Assignee: **Alamo Group, Inc.**, Seguin, TX (US)

(**) Term: **14 Years**

(21) Appl. No.: **29/279,158**

(22) Filed: **Apr. 20, 2007**

(51) **LOC (8) Cl.** **15-03**

(52) **U.S. Cl.** **D15/29**

(58) **Field of Classification Search** D15/10-15,
D15/17, 29; D8/8; 411/176, 424; 30/276,
30/300, 347; 56/DIG. 12, DIG. 20, 320.1,
56/320.2, 16.7, 12.7, 295, 235, 255, 285
See application file for complete search history.

(56) **References Cited**

U.S. PATENT DOCUMENTS

D174,375	S *	4/1955	Cole	D15/17
2,867,963	A *	1/1959	Lawrence et al.	56/295
3,112,599	A *	12/1963	Brewer, Jr.	56/295
3,247,656	A *	4/1966	Phelps	56/295
4,065,913	A *	1/1978	Fisher et al.	56/295
D248,474	S *	7/1978	Oosterling et al.	D15/29
D250,027	S *	10/1978	Jackson	D15/17
4,126,990	A *	11/1978	Fisher et al.	56/295
D254,008	S *	1/1980	Jackson	D15/17
D274,815	S *	7/1984	Ehrler et al.	D15/17

D280,903	S *	10/1985	Barbula	D8/7
D282,175	S *	1/1986	Whitman	D15/17
5,343,681	A *	9/1994	de Jong	56/255
D370,489	S *	6/1996	Taggett et al.	D15/17
D373,369	S *	9/1996	Matsui et al.	D15/148
5,617,636	A *	4/1997	Taggett et al.	30/276
5,622,035	A *	4/1997	Kondo et al.	56/12.7
D396,174	S *	7/1998	Schultz et al.	D15/17
D399,104	S *	10/1998	Sutliff et al.	D8/8
5,862,598	A *	1/1999	Lee	30/276
6,125,621	A *	10/2000	Burch	56/16.8
6,164,049	A *	12/2000	Burch	56/16.8
2002/0066263	A1 *	6/2002	Megli	56/295
2004/0093842	A1 *	5/2004	Cooper	56/295

* cited by examiner

Primary Examiner—Stella M. Reid

Assistant Examiner—Mark Goodwin

(74) *Attorney, Agent, or Firm*—Haynes and Boone, LLP

(57) **CLAIM**

The ornamental design for a disk for rotary mower knives,
as shown and described.

DESCRIPTION

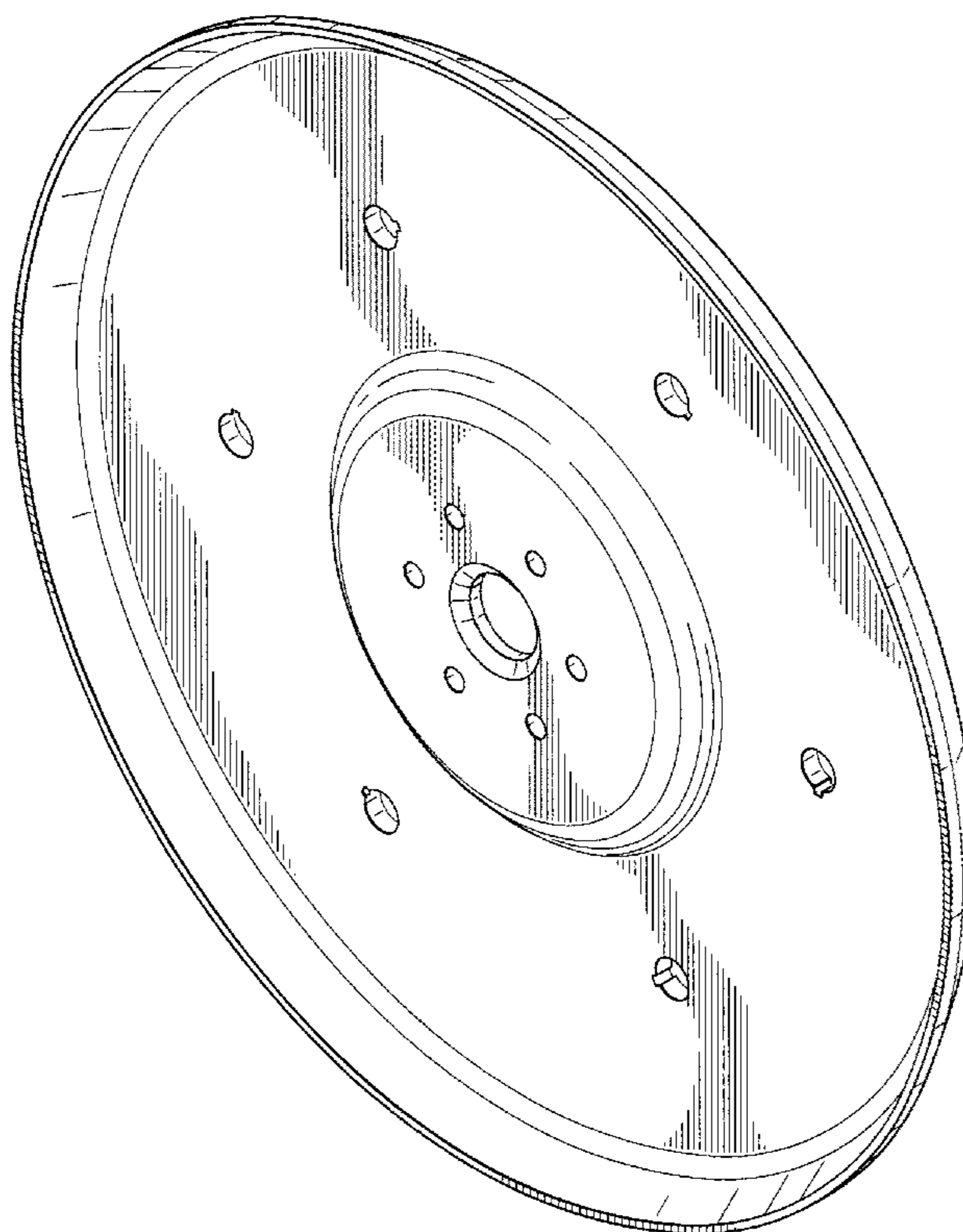
FIG. 1 is a perspective view of the disk for rotary mower
knives showing my new design;

FIG. 2 is a top plan view thereof;

FIG. 3 is a side elevational view thereof; and,

FIG. 4 is a bottom plan view thereof.

1 Claim, 3 Drawing Sheets



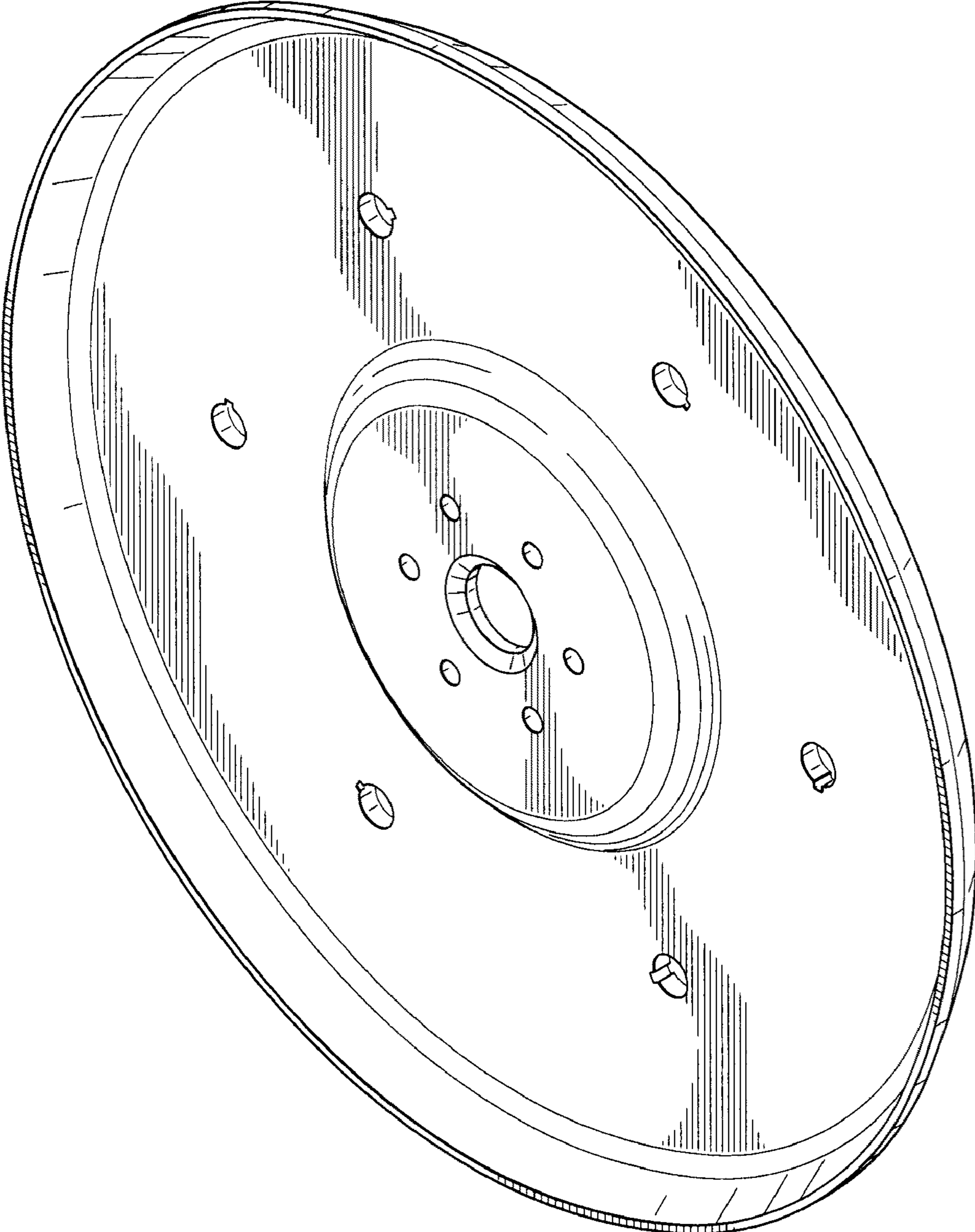


FIG. 1

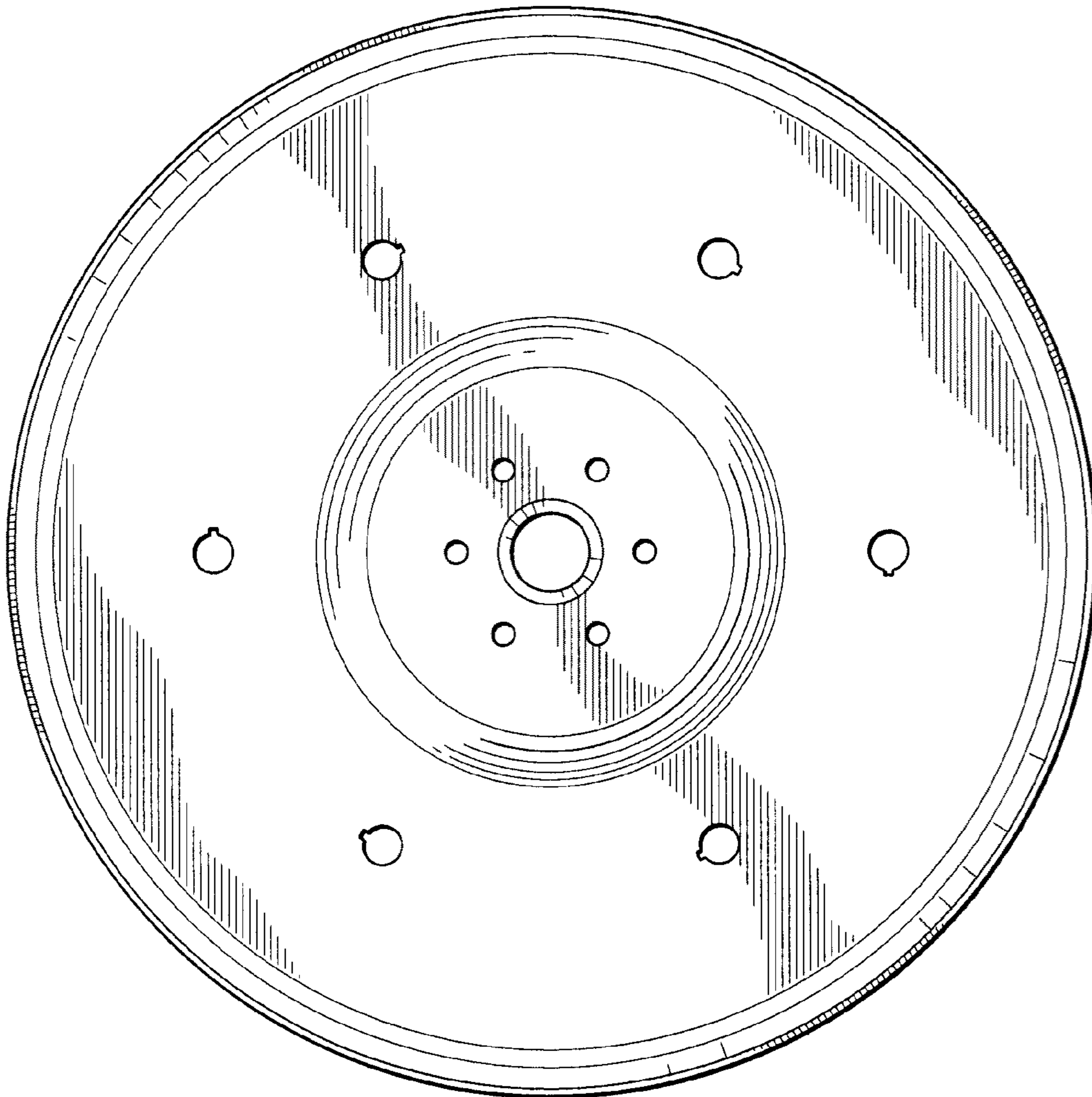


FIG. 2

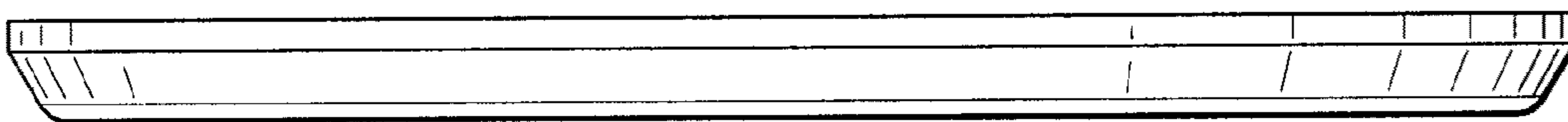


FIG. 3

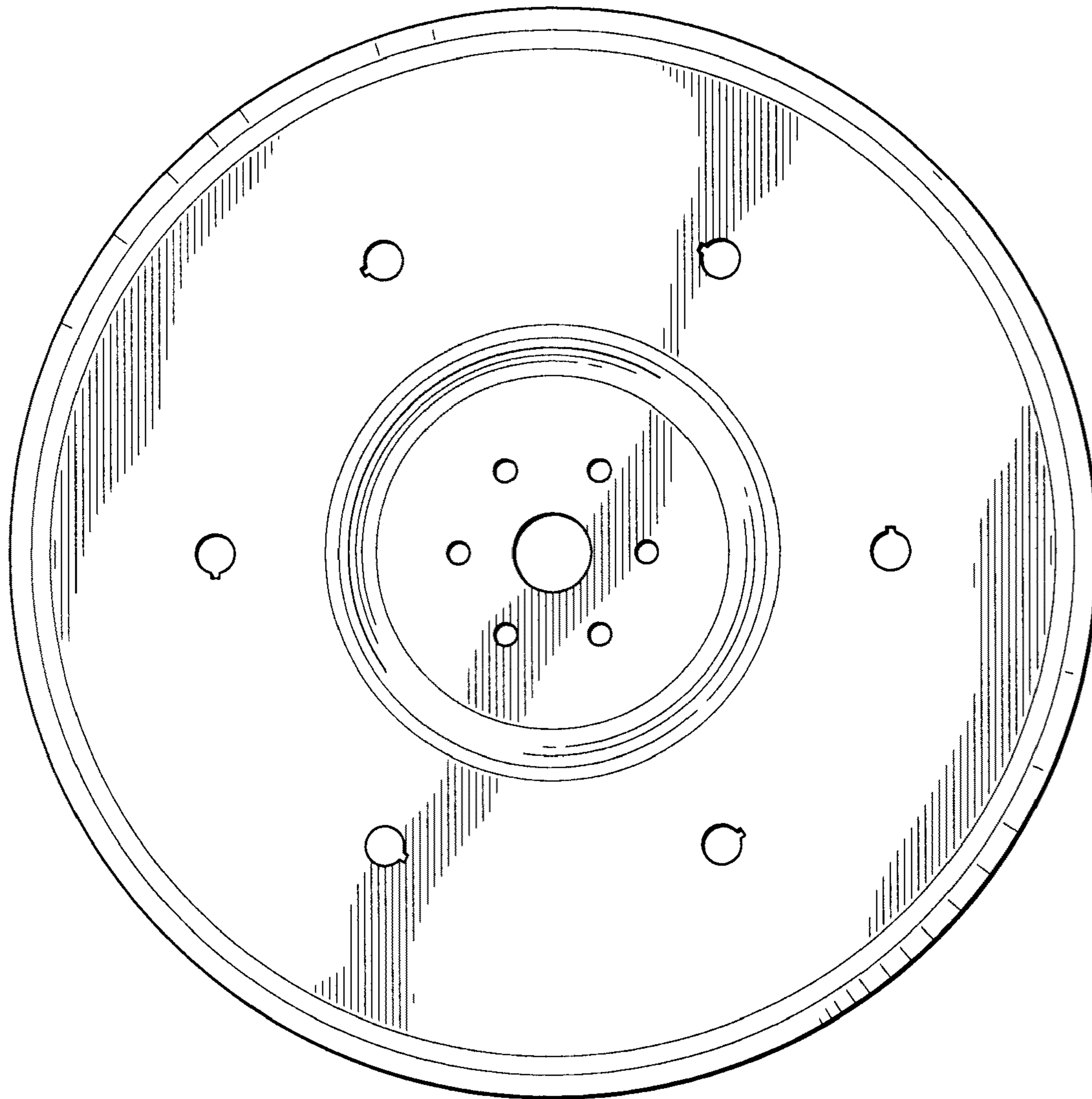


FIG. 4