



US00D562355S

(12) **United States Design Patent**
Lagsdin

(10) **Patent No.:** **US D562,355 S**

(45) **Date of Patent:** **** Feb. 19, 2008**

(54) **STABILIZER PAD**

(76) **Inventor:** **Andry Lagsdin**, 54 King Hill Rd.,
Hanover, MA (US) 02339

(**) **Term:** **14 Years**

(21) **Appl. No.:** **29/286,497**

(22) **Filed:** **May 8, 2007**

(51) **LOC (8) Cl.** **15-03**

(52) **U.S. Cl.** **D15/28**

(58) **Field of Classification Search** D15/10,
D15/21-26, 28; 248/188.8, 632, 188.9, 633,
248/615, 677; 280/763.1, 764.1, 765.1, 766.1;
212/301-305; 414/486, 739, 746.4
See application file for complete search history.

(56) **References Cited**

U.S. PATENT DOCUMENTS

| | | | | | |
|-----------|------|---------|-------------------|-------|-----------|
| 3,721,458 | A * | 3/1973 | Mitchell | | 280/764.1 |
| 3,913,942 | A * | 10/1975 | MacKenzie et al. | | 280/764.1 |
| 3,930,668 | A * | 1/1976 | Schuermann et al. | | 280/763.1 |
| 4,039,206 | A * | 8/1977 | Nault | | 280/763.1 |
| 4,473,239 | A * | 9/1984 | Smart | | 280/763.1 |
| 4,889,362 | A * | 12/1989 | Lagsdin | | 280/763.1 |
| 5,015,008 | A * | 5/1991 | Schupback | | 280/764.1 |
| 5,050,904 | A * | 9/1991 | Lagsdin | | 280/764.1 |
| 5,054,812 | A * | 10/1991 | Lagsdin | | 280/764.1 |
| 5,466,004 | A * | 11/1995 | Lagsdin | | 280/763.1 |
| 5,547,220 | A * | 8/1996 | Lagsdin | | 280/763.1 |
| 5,667,245 | A * | 9/1997 | Lagsdin | | 280/763.1 |
| 5,957,496 | A * | 9/1999 | Lagsdin | | 280/763.1 |
| 5,992,883 | A * | 11/1999 | Lagsdin | | 280/763.1 |
| 6,109,650 | A * | 8/2000 | Lagsdin | | 280/764.1 |
| 6,227,570 | B1 * | 5/2001 | Martinez et al. | | 280/764.1 |
| 6,270,119 | B1 * | 8/2001 | Lagsdin | | 280/764.1 |
| 6,422,603 | B2 * | 7/2002 | Lagsdin | | 280/764.1 |

| | | | | | |
|--------------|------|---------|---------|-------|-----------|
| D462,366 | S * | 9/2002 | Lagsdin | | D15/28 |
| D462,367 | S * | 9/2002 | Lagsdin | | D15/28 |
| 6,471,246 | B1 * | 10/2002 | Lagsdin | | 280/763.1 |
| D467,594 | S * | 12/2002 | Lagsdin | | D15/28 |
| 6,634,672 | B1 * | 10/2003 | Lagsdin | | 280/763.1 |
| 6,726,246 | B2 * | 4/2004 | Lagsdin | | 280/763.1 |
| 6,986,530 | B2 * | 1/2006 | Lagsdin | | 280/766.1 |
| 7,040,659 | B2 * | 5/2006 | Lagsdin | | 280/763.1 |
| 7,073,821 | B2 * | 7/2006 | Lagsdin | | 280/763.1 |
| 2002/0036403 | A1 * | 3/2002 | Lagsdin | | 280/763.1 |
| 2003/0011181 | A1 * | 1/2003 | Lagsdin | | 280/763.1 |
| 2004/0046378 | A1 * | 3/2004 | Lagsdin | | 280/766.1 |
| 2006/0011800 | A1 * | 1/2006 | Lagsdin | | 248/615 |

* cited by examiner

Primary Examiner—Stella M. Reid
Assistant Examiner—Mark Goodwin
(74) *Attorney, Agent, or Firm*—David M. Driscoll

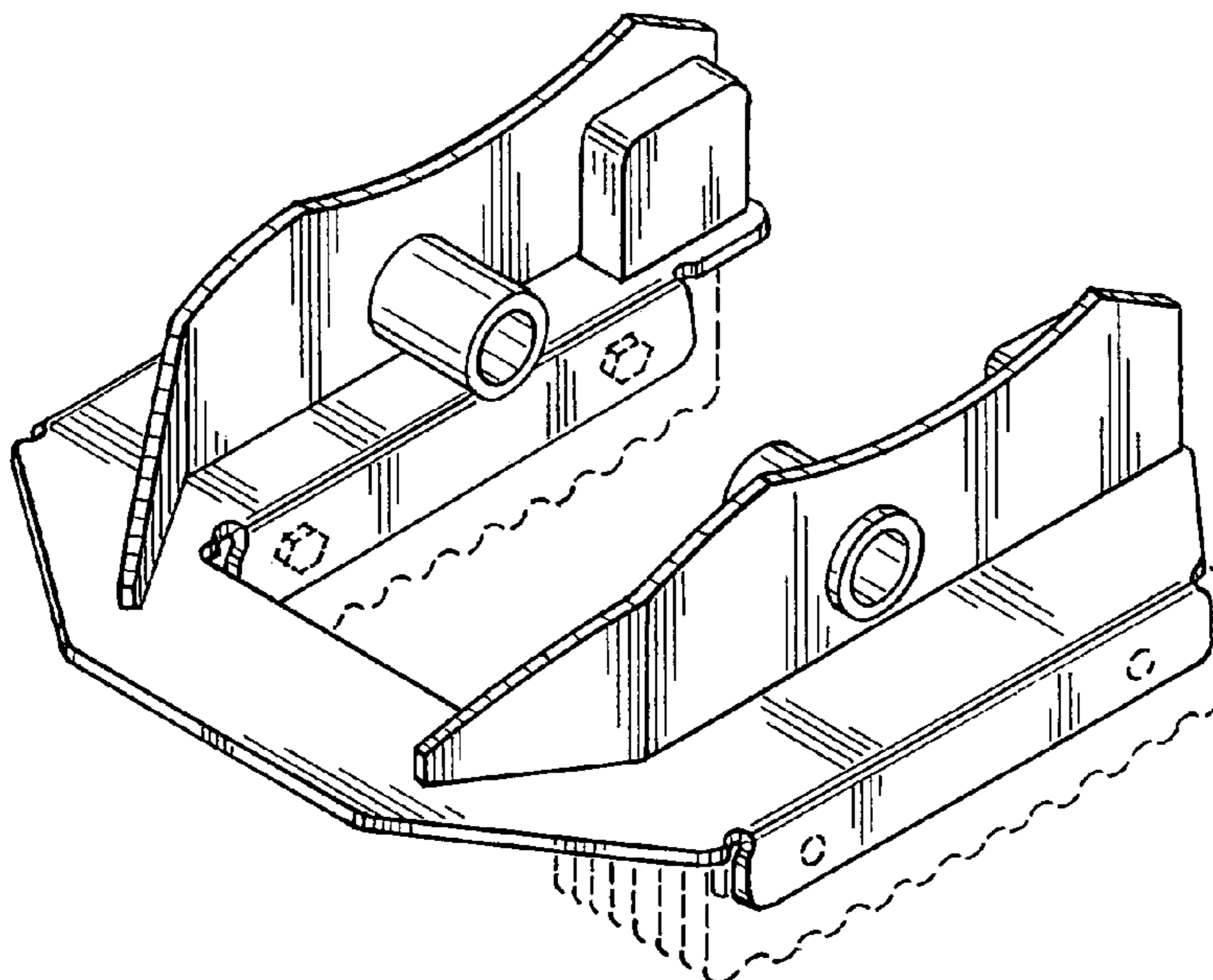
(57) **CLAIM**

The ornamental design for a stabilizer pad, as shown and described.

DESCRIPTION

FIG. 1 is a perspective view of a stabilizer pad showing my new design;
FIG. 2 is a right side elevational view thereof; the left side elevational view being a mirror image thereof;
FIG. 3 is a front elevational view thereof;
FIG. 4 is a rear elevational view thereof;
FIG. 5 is a top plan view thereof; and,
FIG. 6 is a bottom plan view thereof.
The portions shown in broken lines are included for illustrative purposes only and form no part of the claimed design.

1 Claim, 3 Drawing Sheets



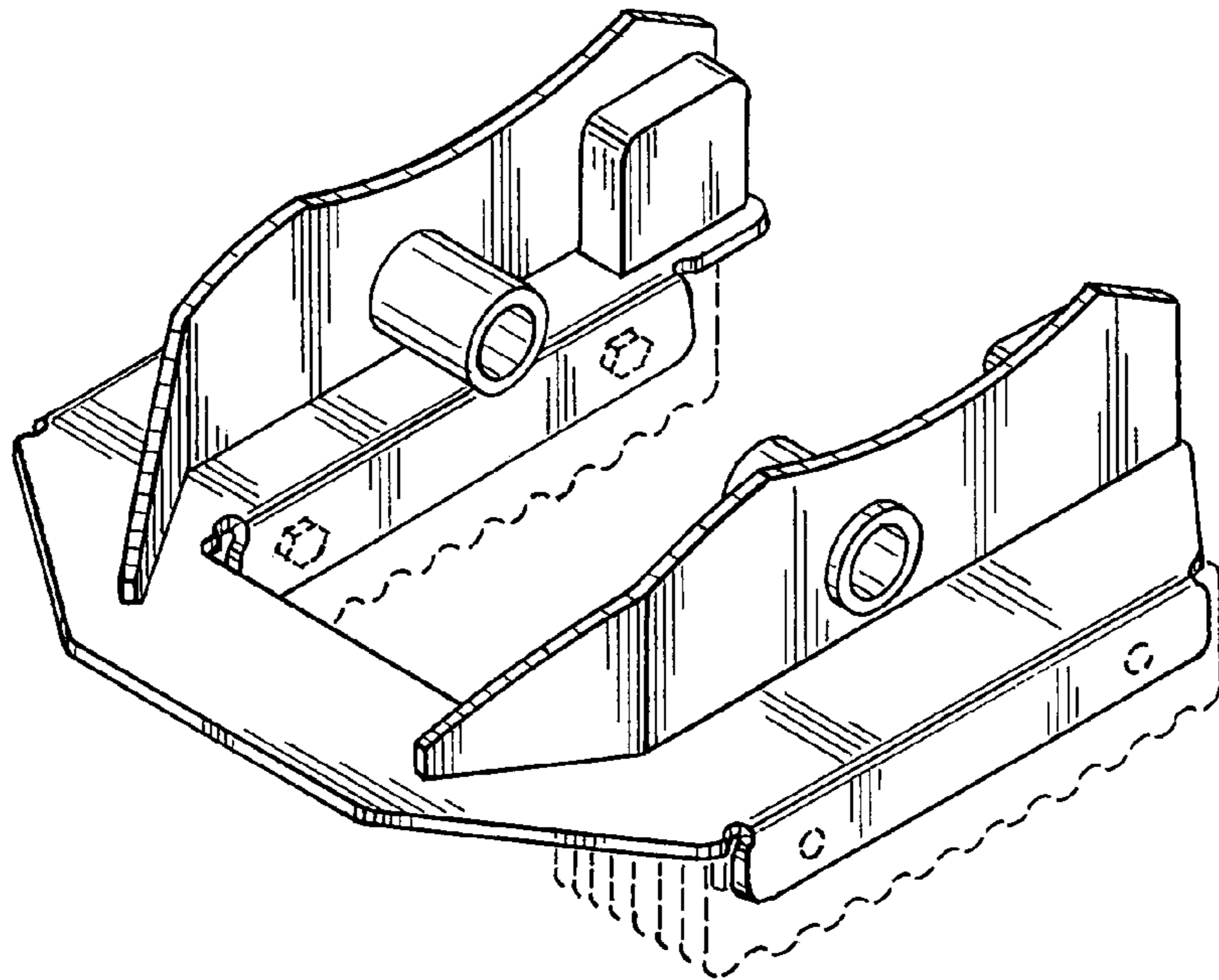


Fig. 1

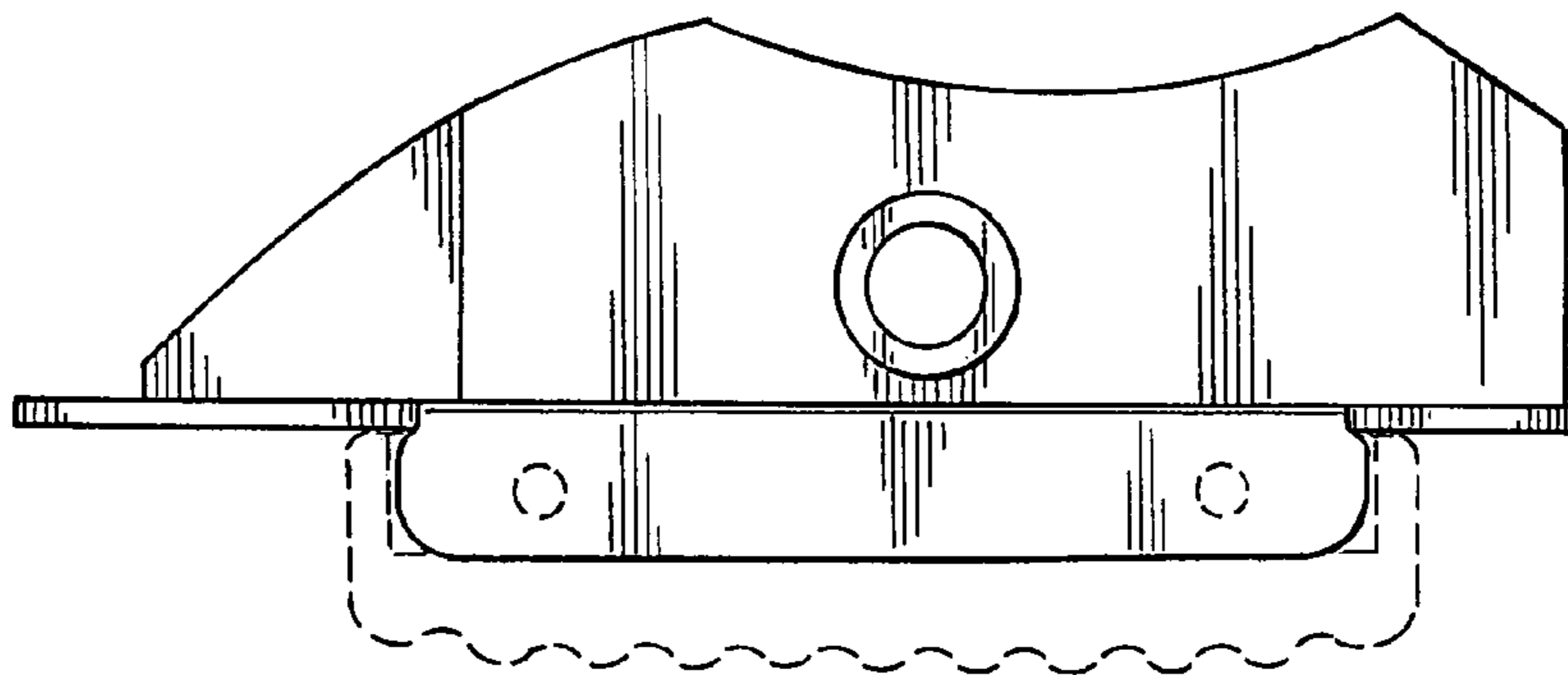


Fig. 2

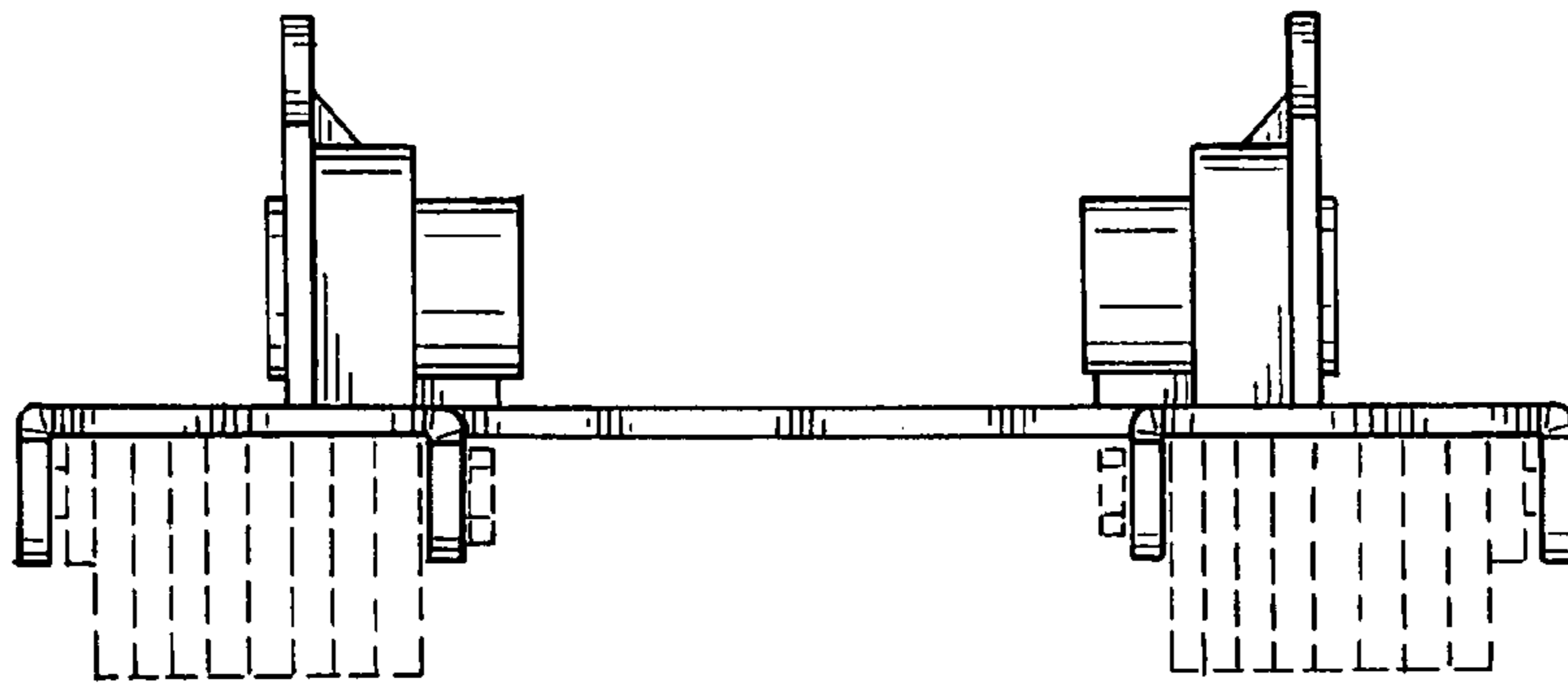


Fig. 3

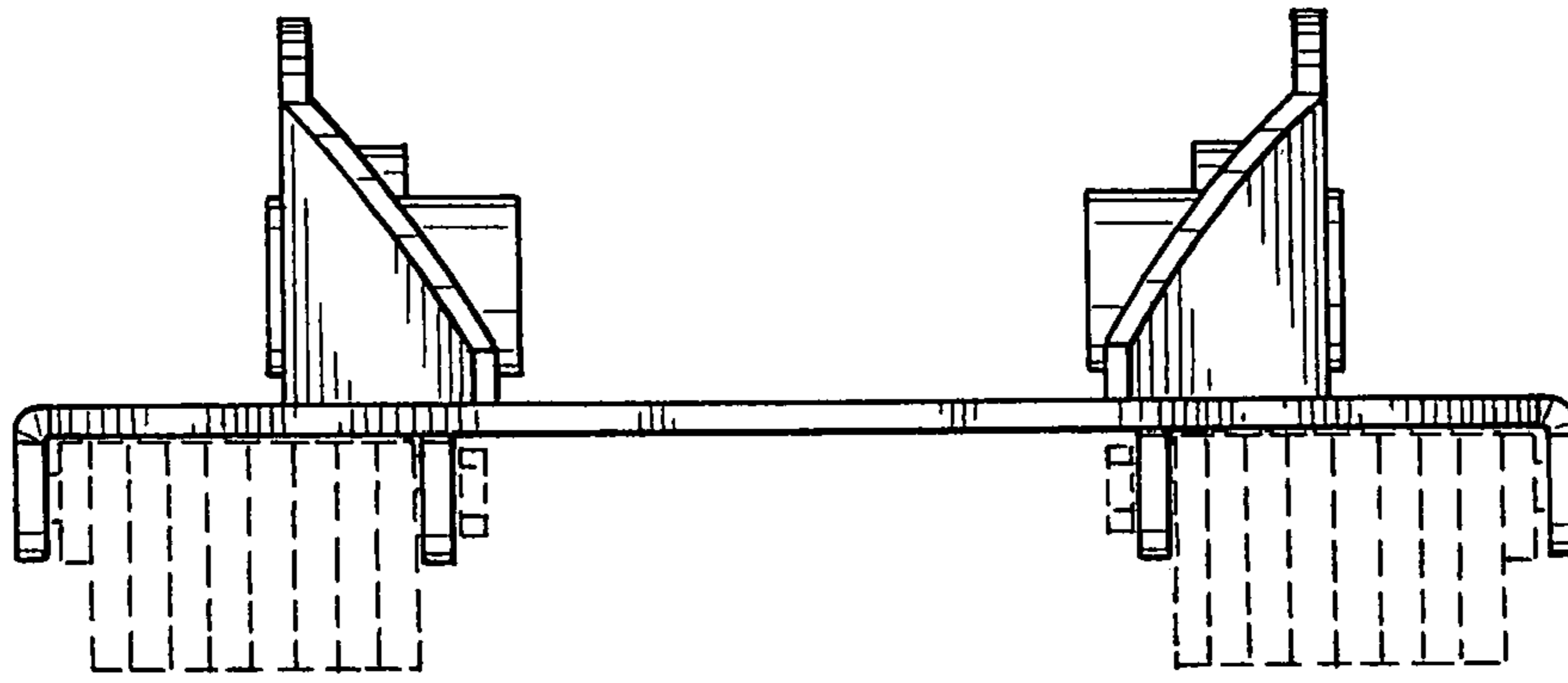


Fig. 4

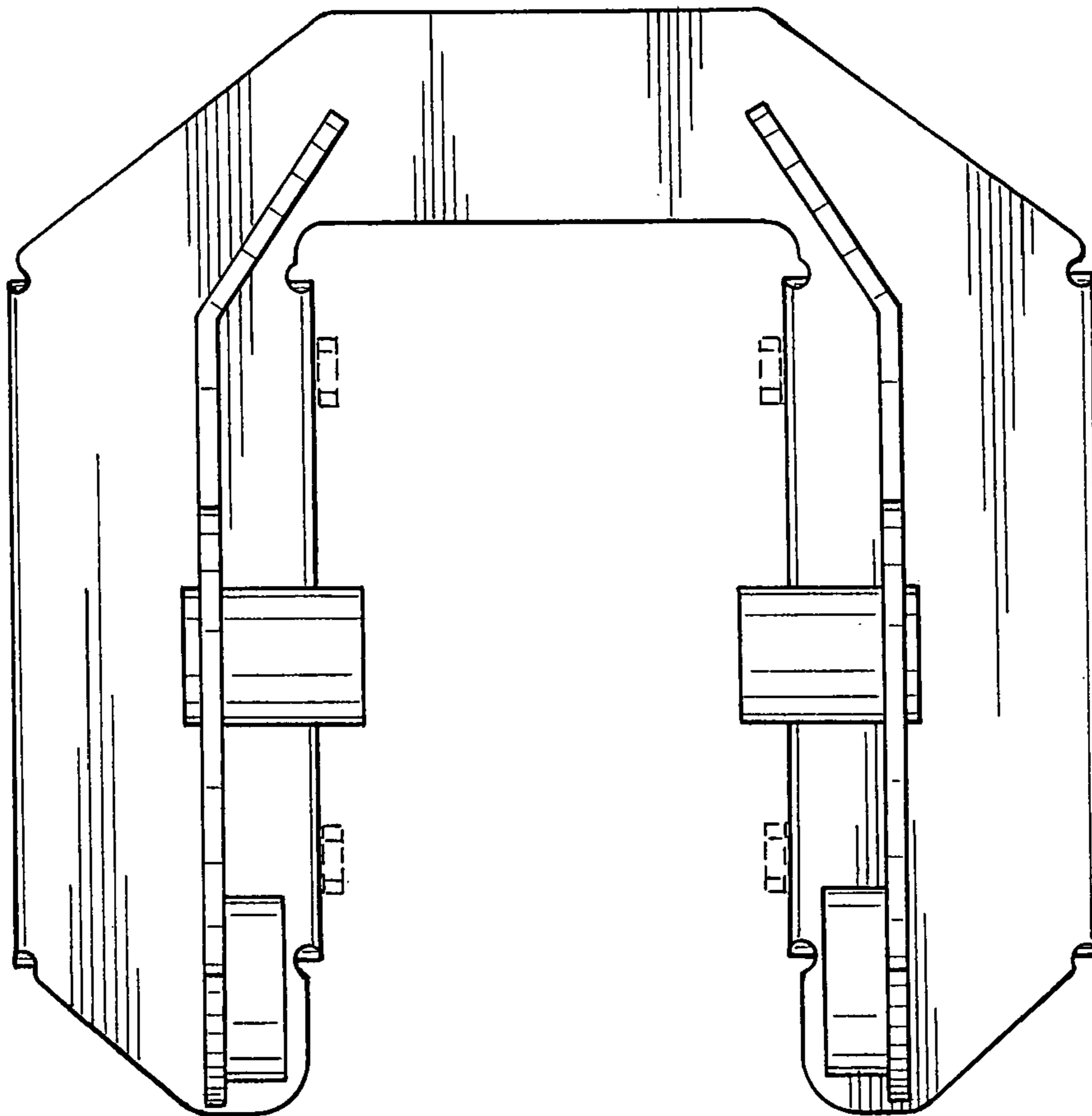


Fig. 5

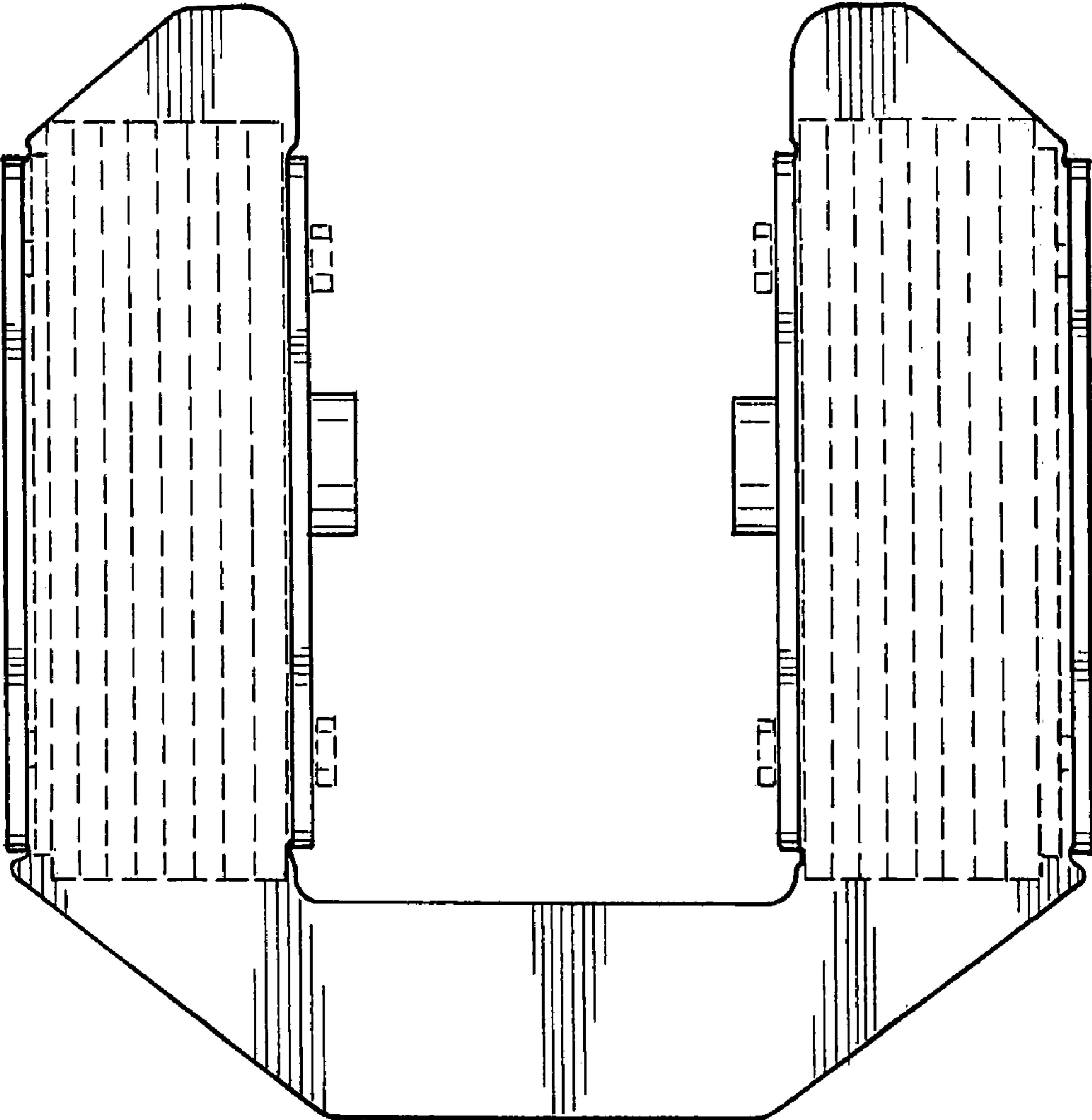


Fig. 6