



US00D562354S

(12) **United States Design Patent**
Imashige et al.

(10) **Patent No.:** **US D562,354 S**

(45) **Date of Patent:** **** Feb. 19, 2008**

(54) **TRAVELING BODY FOR CONSTRUCTION MACHINE**

D508,498 S 8/2005 Shimokakiuchi et al.
D510,366 S * 10/2005 Kuwae et al. D15/28
D517,096 S * 3/2006 Landers et al. D15/28
D528,568 S * 9/2006 Kuwae et al. D15/28

(75) Inventors: **Hirokazu Imashige**, Hiroshima (JP);
Isao Miyachi, Hiroshima (JP);
Hirohisa Kimura, Hiroshima (JP)

* cited by examiner

(73) Assignee: **Kobelco Construction Machinery Co., Ltd.**, Hiroshima-shi (JP)

Primary Examiner—Stella M. Reid
Assistant Examiner—Mark Goodwin
(74) *Attorney, Agent, or Firm*—Oblon, Spivak, McClelland, Maier & Neustadt, P.C.

(**) Term: **14 Years**

(21) Appl. No.: **29/276,009**

(57) **CLAIM**

(22) Filed: **Jan. 11, 2007**

The ornamental design for a traveling body for construction machine or the like, as shown and described.

(30) **Foreign Application Priority Data**

Jul. 11, 2006 (JP) 2006-018262

DESCRIPTION

(51) **LOC (8) Cl.** **15-03**
(52) **U.S. Cl.** **D15/28; D15/33**
(58) **Field of Classification Search** D15/10,
D15/22-26, 28, 30, 31, 33; 180/89.1, 89.12,
180/235, 900; 414/894, 699, 722-724; 280/400
See application file for complete search history.

FIG. 1 is a top front side perspective view of a traveling body for construction machine showing our new design;
FIG. 2 is a top rear side perspective view thereof;
FIG. 3 is a front elevational view thereof;
FIG. 4 is a rear elevational view thereof;
FIG. 5 is a left side elevational view thereof;
FIG. 6 is a right side elevational view thereof;
FIG. 7 is a top plan view thereof; and,
FIG. 8 is a bottom plan view thereof.

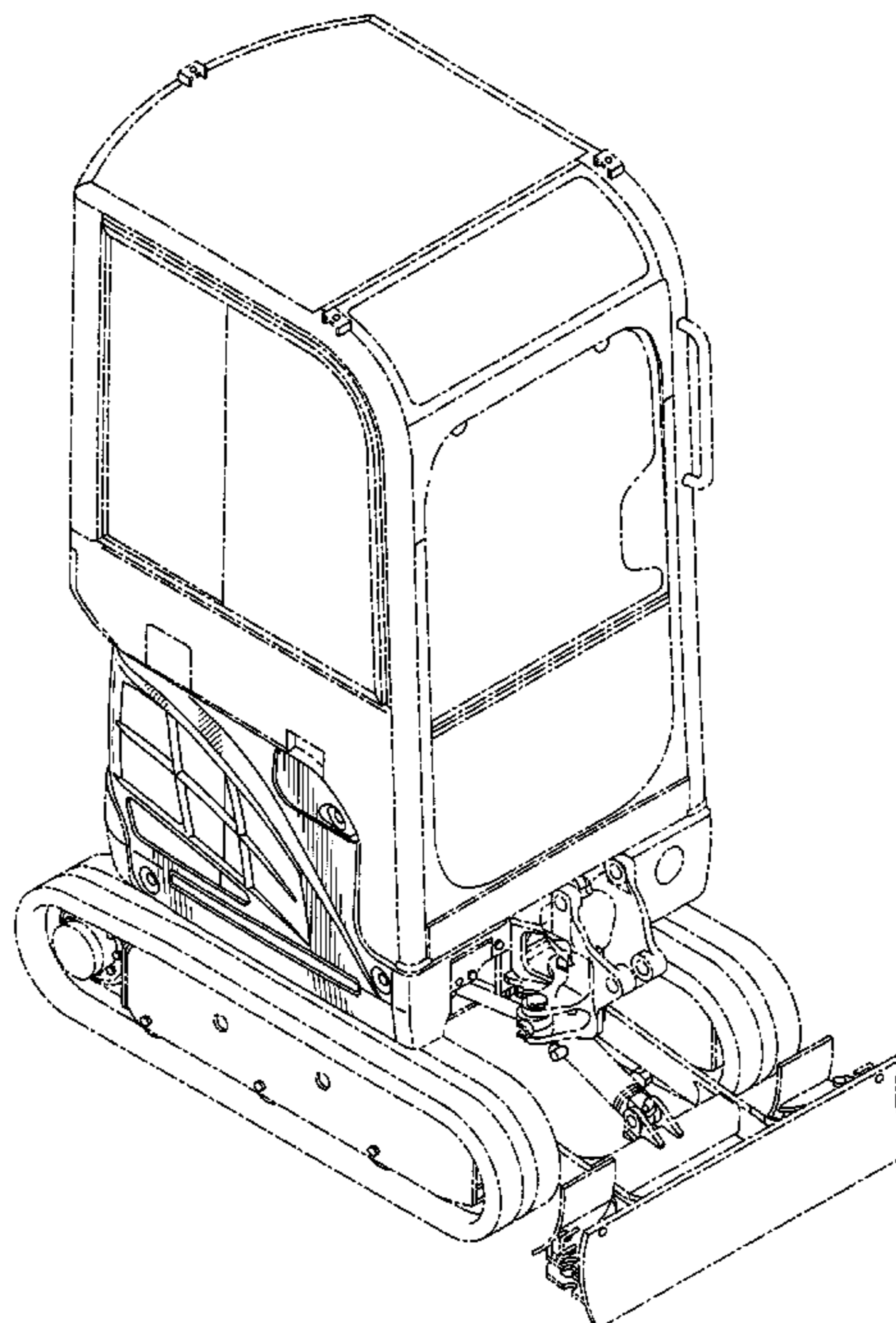
(56) **References Cited**

U.S. PATENT DOCUMENTS

D393,268 S * 4/1998 Tachinou et al. D15/28
D436,605 S * 1/2001 Shaw et al. D15/30
D440,236 S * 4/2001 Kraft et al. D15/28
D462,701 S * 9/2002 Crabb et al. D15/28
D487,575 S * 3/2004 Wetzel et al. D15/33
D490,444 S * 5/2004 Kuwae D15/33
D500,056 S * 12/2004 DeYoung et al. D15/33
D506,211 S * 6/2005 Kuwae et al. D15/33

The broken line showing of the traveling body for construction machine is included for the purpose of illustrating environmental structure and forms no part of the claimed design.

1 Claim, 8 Drawing Sheets



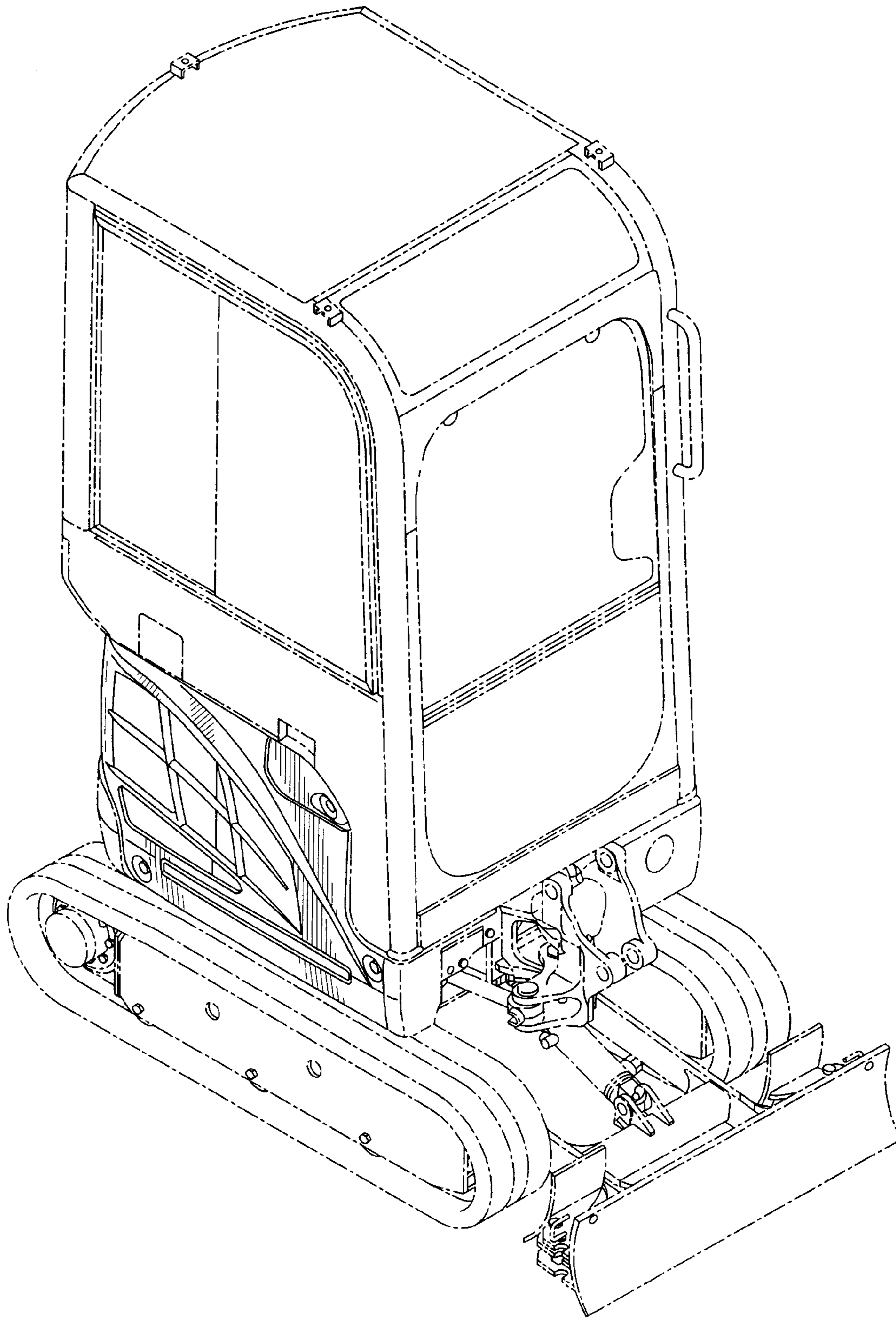


Fig. 1

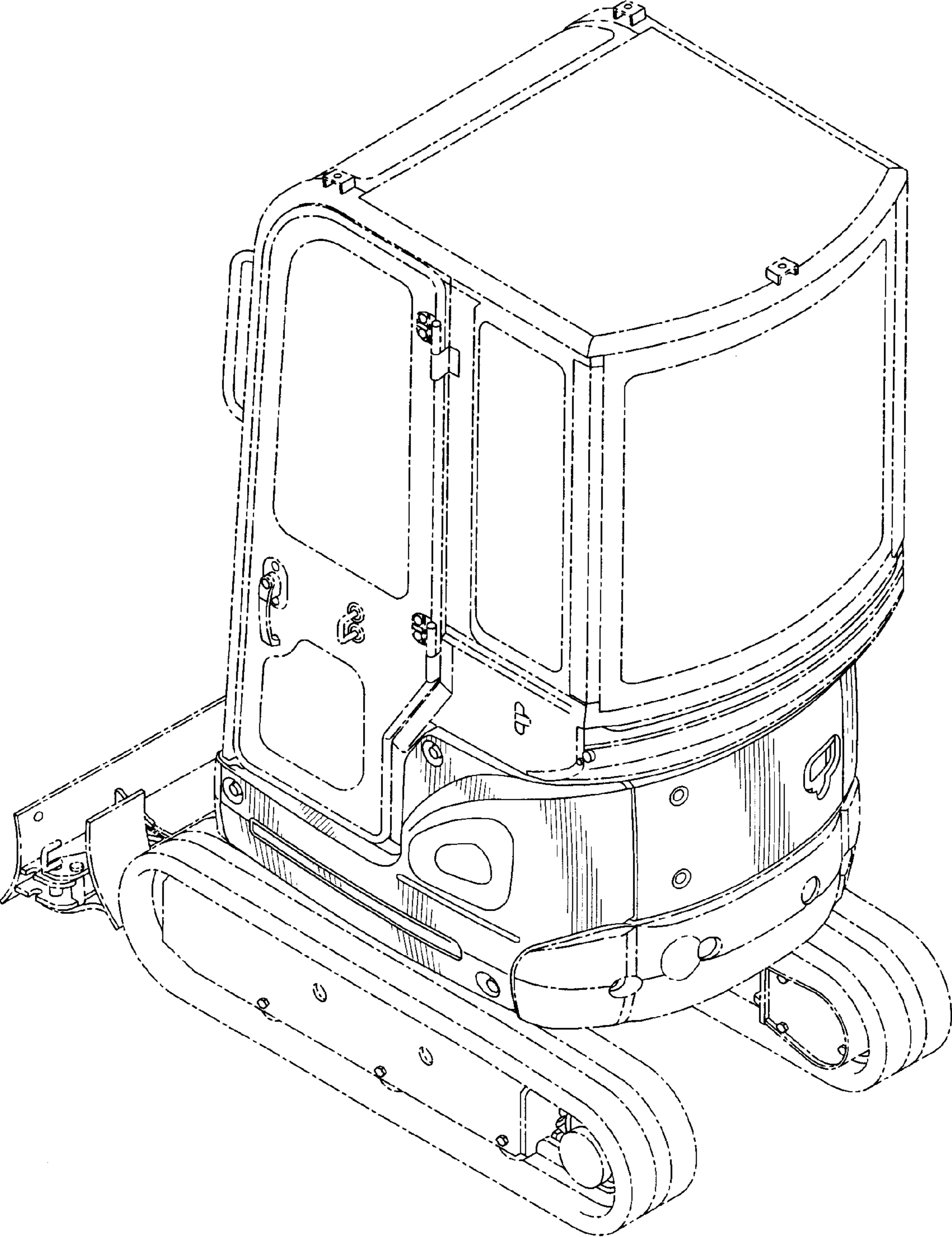


Fig. 2

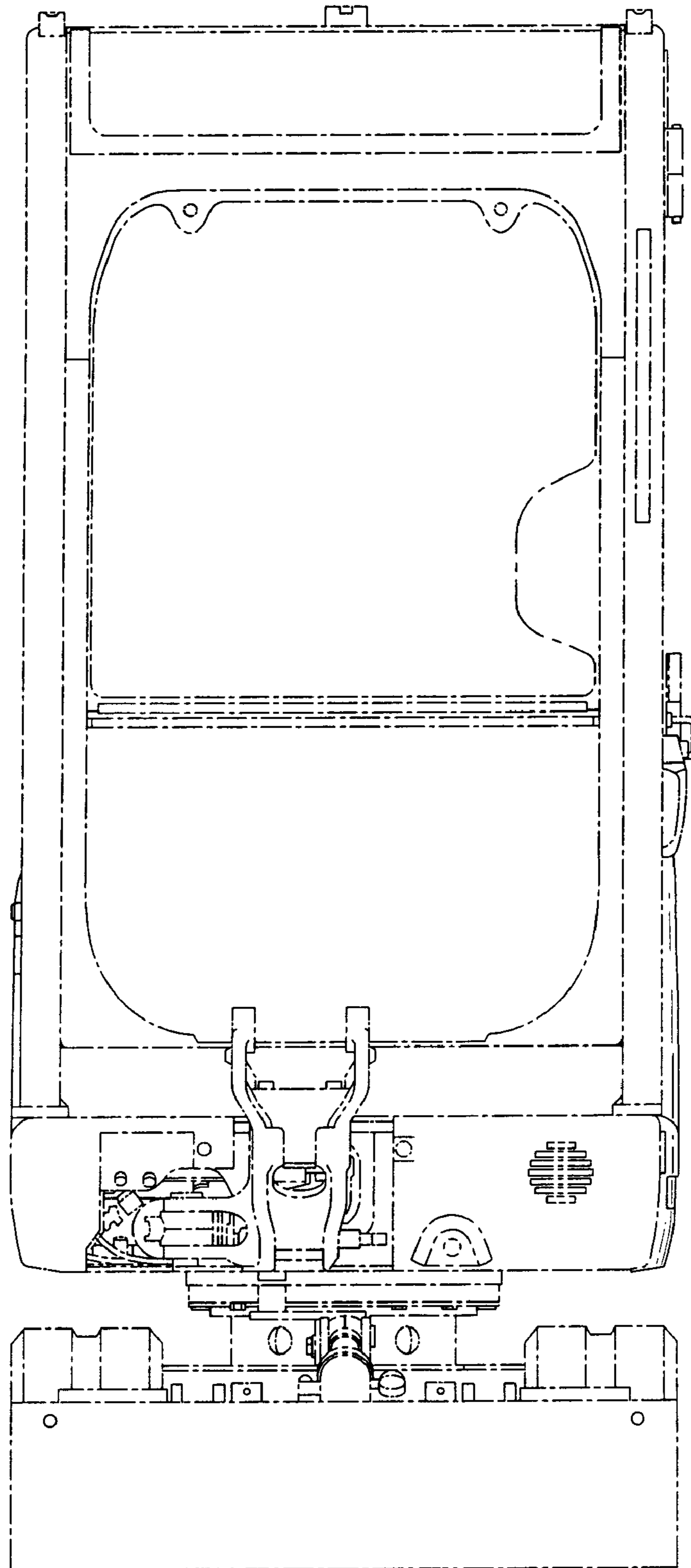


Fig. 3

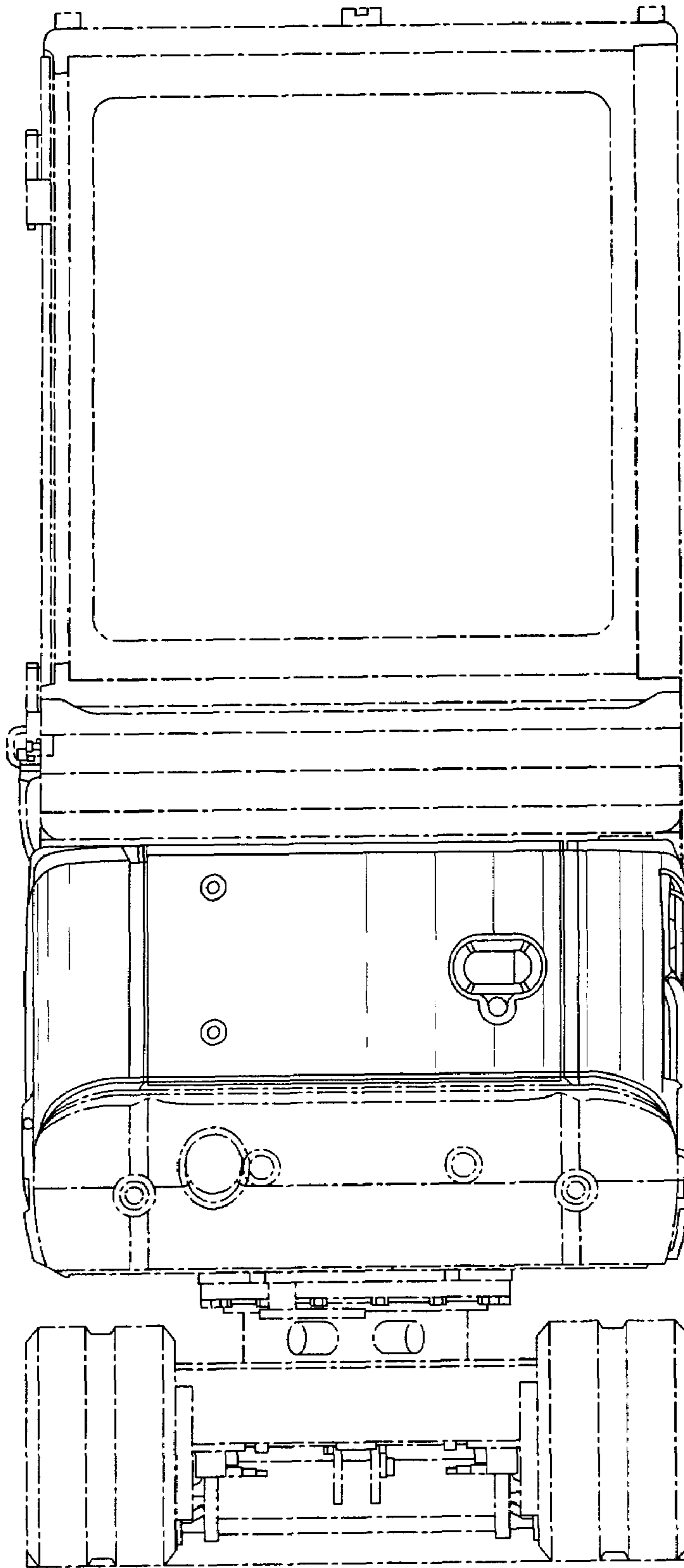


Fig. 4

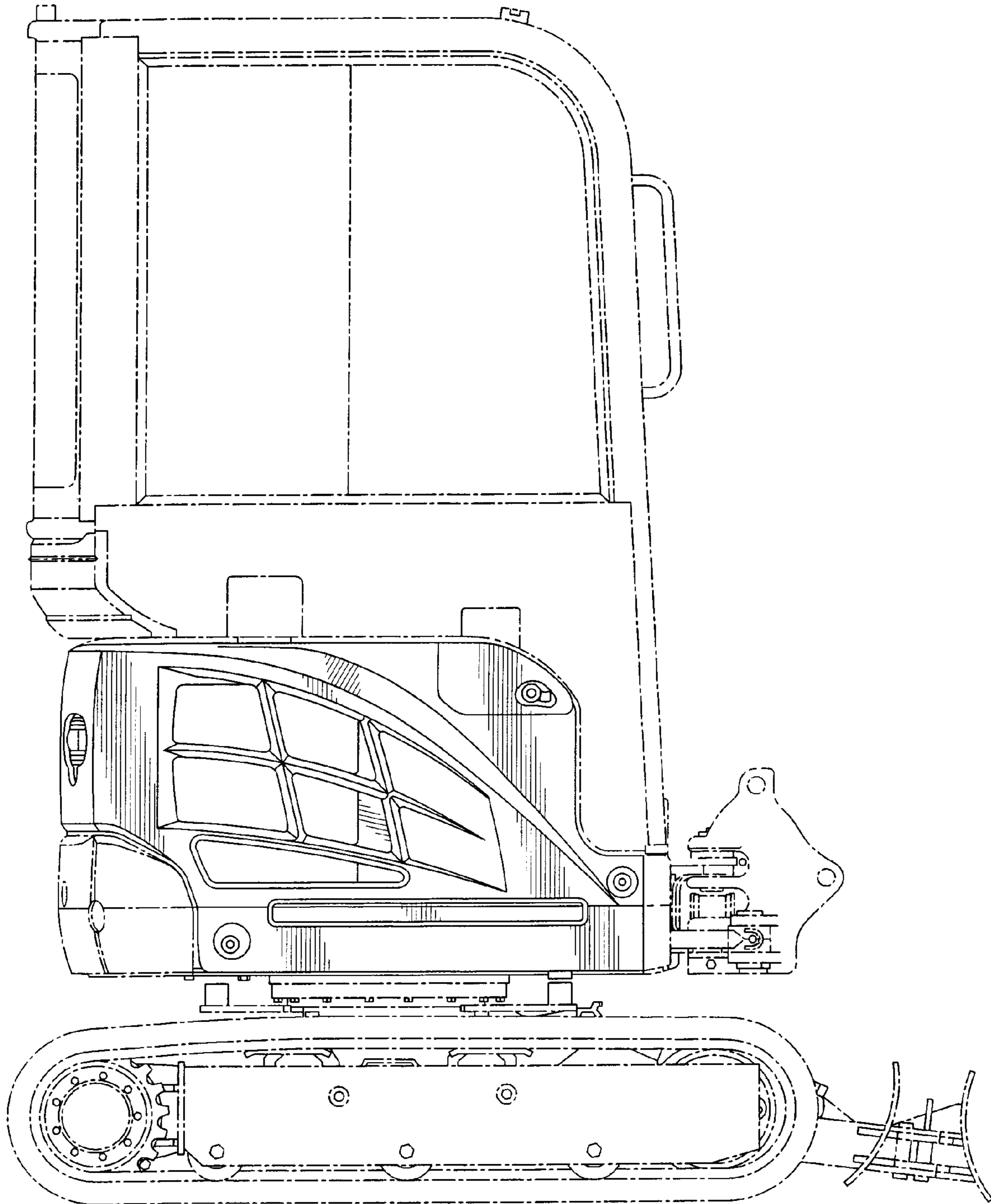


Fig. 5

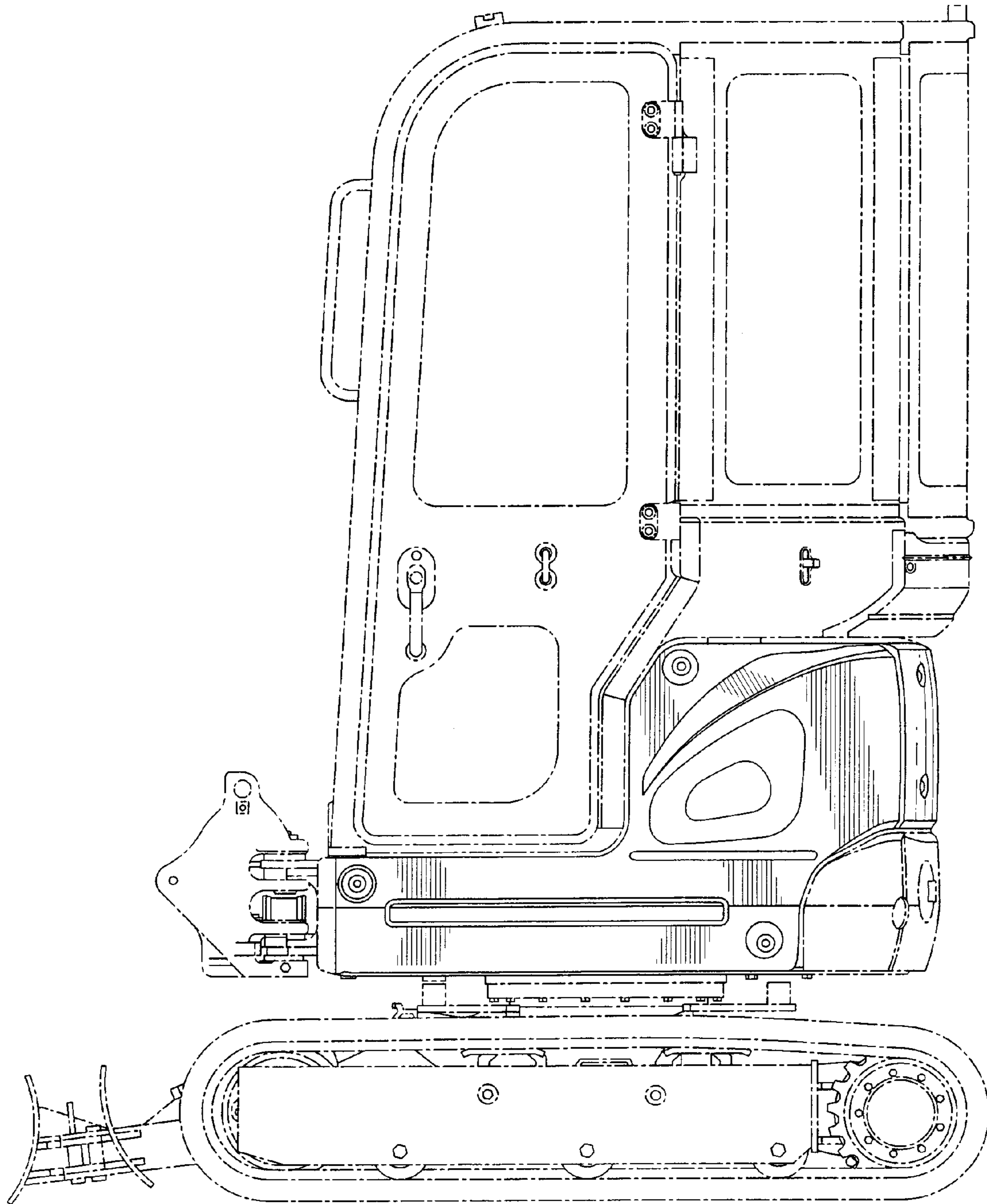


Fig. 6

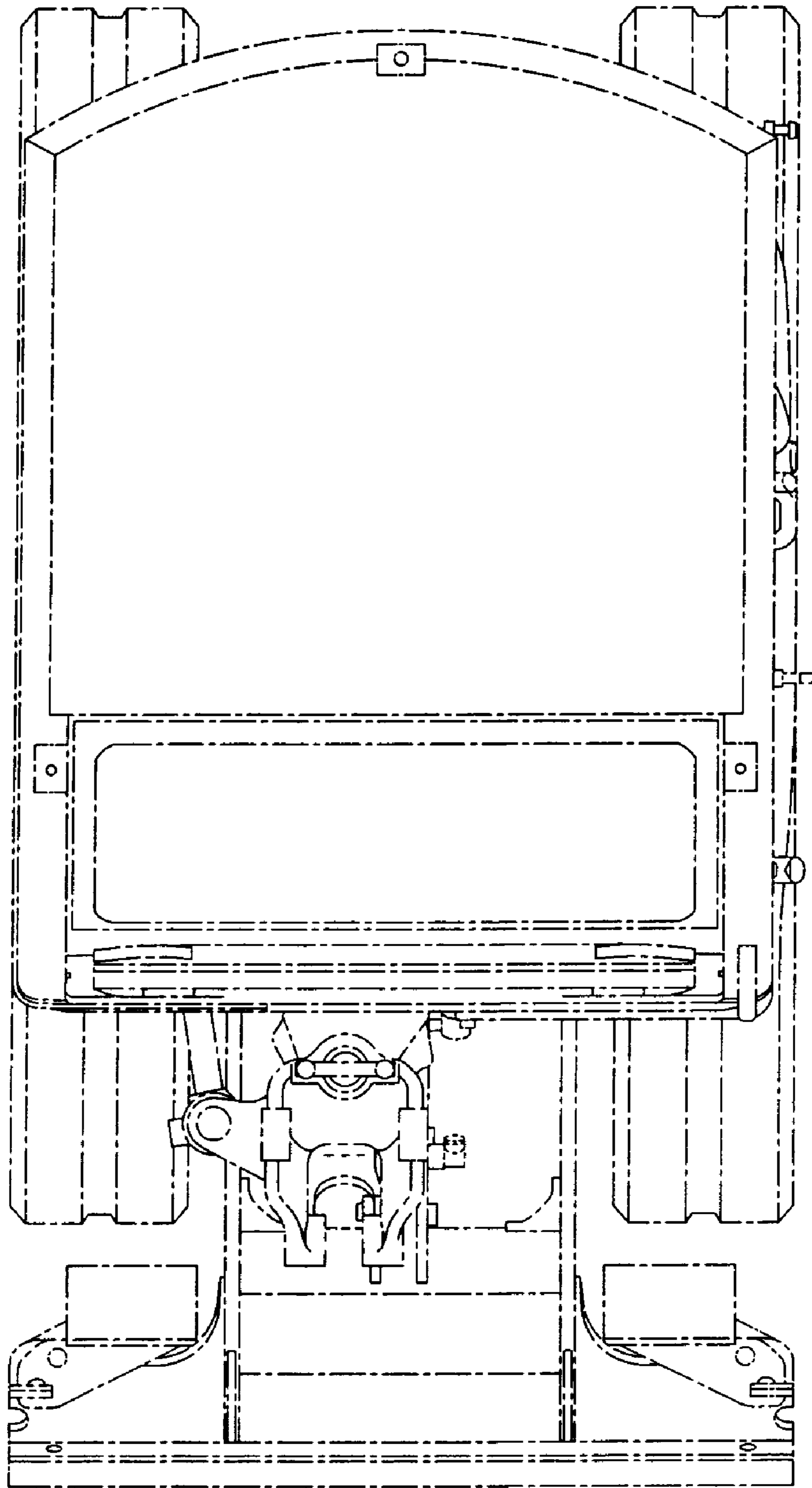


Fig. 7

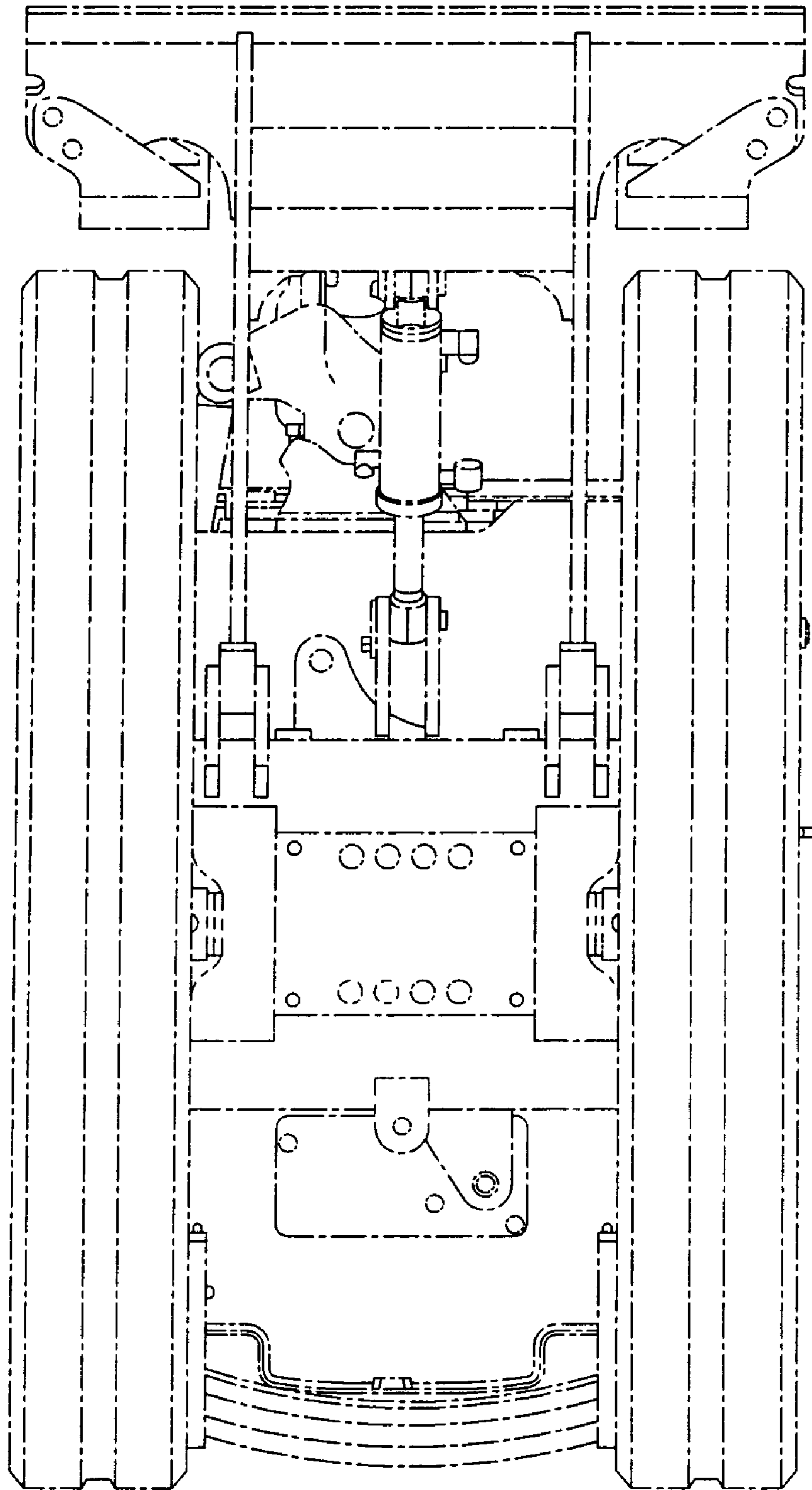


Fig. 8