



US00D562353S

(12) **United States Design Patent**
Sugihara

(10) **Patent No.:** **US D562,353 S**

(45) **Date of Patent:** **** Feb. 19, 2008**

(54) **RUBBER CRAWLER**

2005/0168069 A1* 8/2005 Ueno 305/171
2005/0173983 A1* 8/2005 Nishimura 305/157

(75) Inventor: **Shingo Sugihara**, Chuo-ku (JP)

FOREIGN PATENT DOCUMENTS

(73) Assignee: **Bridgestone Corporation**, Tokyo (JP)

JP 1158360 11/2002

(**) Term: **14 Years**

* cited by examiner

(21) Appl. No.: **29/271,638**

Primary Examiner—Stella M. Reid
Assistant Examiner—Mark Goodwin

(22) Filed: **Jan. 24, 2007**

(74) *Attorney, Agent, or Firm*—Sughrue Mion, Pllc.

(30) **Foreign Application Priority Data**

(57) **CLAIM**

Jul. 24, 2006 (JP) 2006-019458
Jul. 24, 2006 (JP) 2006-019459

The ornamental design for a rubber crawler, as shown and described.

(51) **LOC (8) Cl.** **15-03**

DESCRIPTION

(52) **U.S. Cl.** **D15/28**

(58) **Field of Classification Search** D15/24,
D15/28; 180/89.12, 9.1, 900; 152/209.12,
152/171–173, 165, 178; 305/40, 53, 160,
305/167, 169, 177, 185, 193, 200, 202, 171,
305/195

FIG. 1 is a perspective view of a rubber crawler showing my new design.

See application file for complete search history.

FIG. 2 is a front elevation view thereof.

(56) **References Cited**

U.S. PATENT DOCUMENTS

6,106,083 A * 8/2000 Ono 305/171
6,170,925 B1 * 1/2001 Ono 304/177
6,176,557 B1 * 1/2001 Ono 305/177
D451,523 S * 12/2001 Bonko et al. D15/28
D454,890 S * 3/2002 Tsuru D15/28
D455,444 S * 4/2002 Tsuru D15/28
D471,566 S * 3/2003 Feldmann D15/28
D472,905 S * 4/2003 Feldmann D15/28
D474,205 S * 5/2003 Feldmann D15/28
6,652,044 B1 * 11/2003 Katoh et al. 305/165
D484,515 S * 12/2003 Nishimura D15/28
D496,051 S * 9/2004 Yoshida D15/28
D514,133 S * 1/2006 Fujita D15/28

FIG. 3 is a rear elevation view thereof.

FIG. 4 is a top plan view thereof.

FIG. 5 is a bottom plan view thereof.

FIG. 6 is a left side elevation view thereof.

FIG. 7 is a right side elevation view thereof.

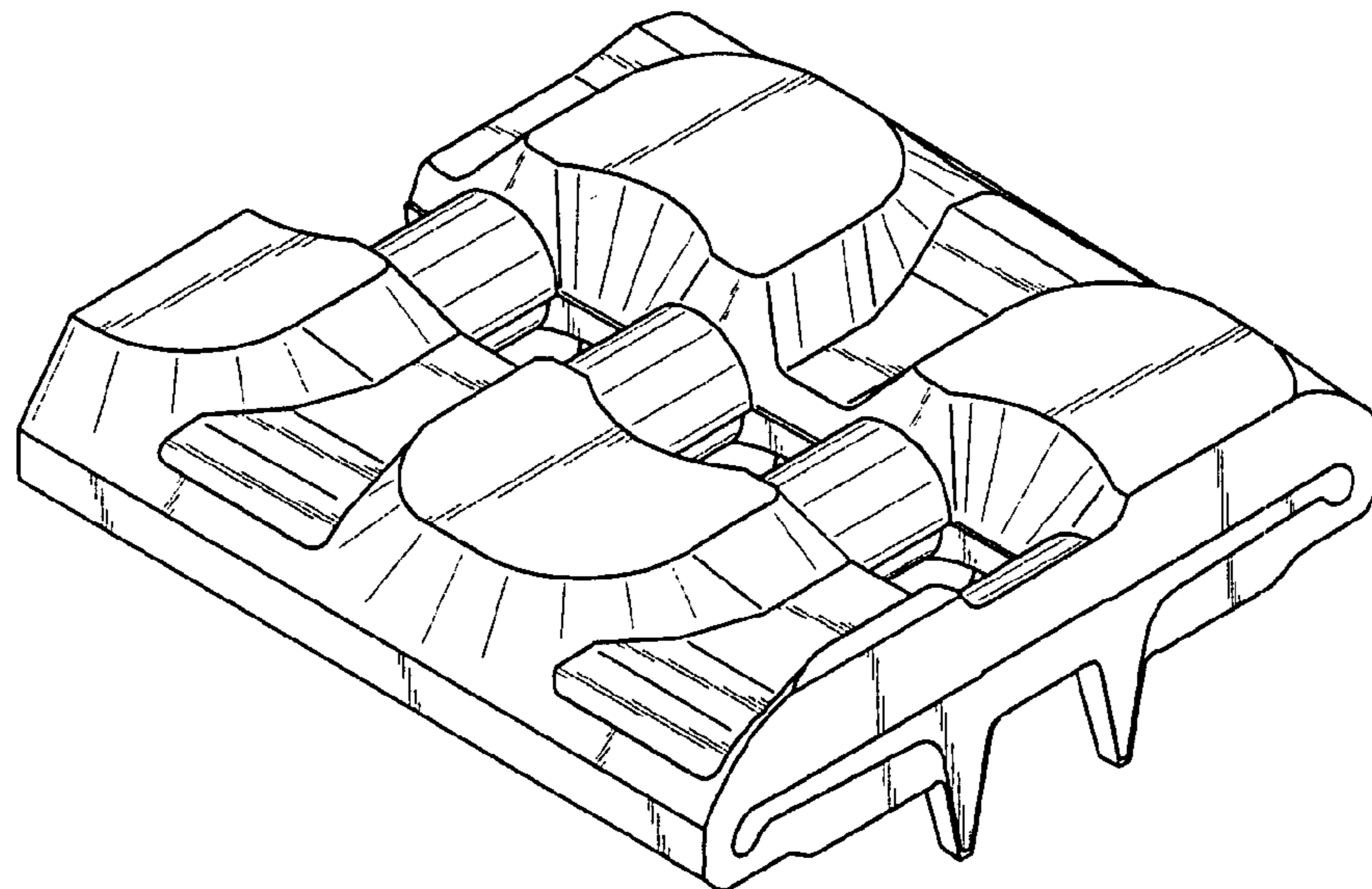
FIG. 8 is a cross-sectional view thereof taken along line 8—8 in FIG. 2.

FIG. 9 is a cross-sectional view thereof taken along line 9—9 in FIG. 2; and,

FIG. 10 is a cross-sectional view thereof taken along line 10—10 in FIG. 2.

The broken line portion in FIGS. 2 and 3 is included for the purpose of illustrating indeterminate length and forms no part of the claimed design.

1 Claim, 10 Drawing Sheets



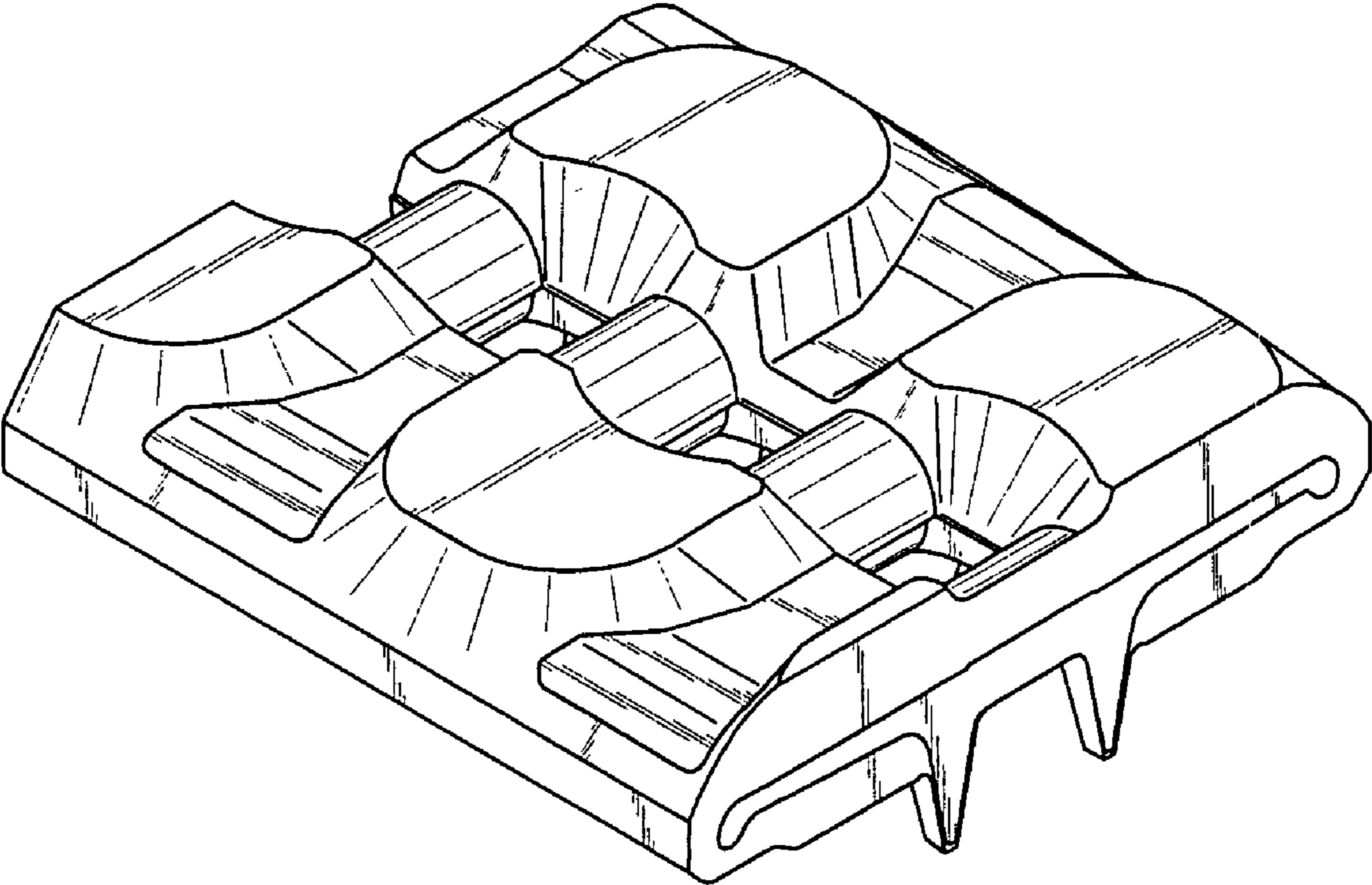


Fig. 1

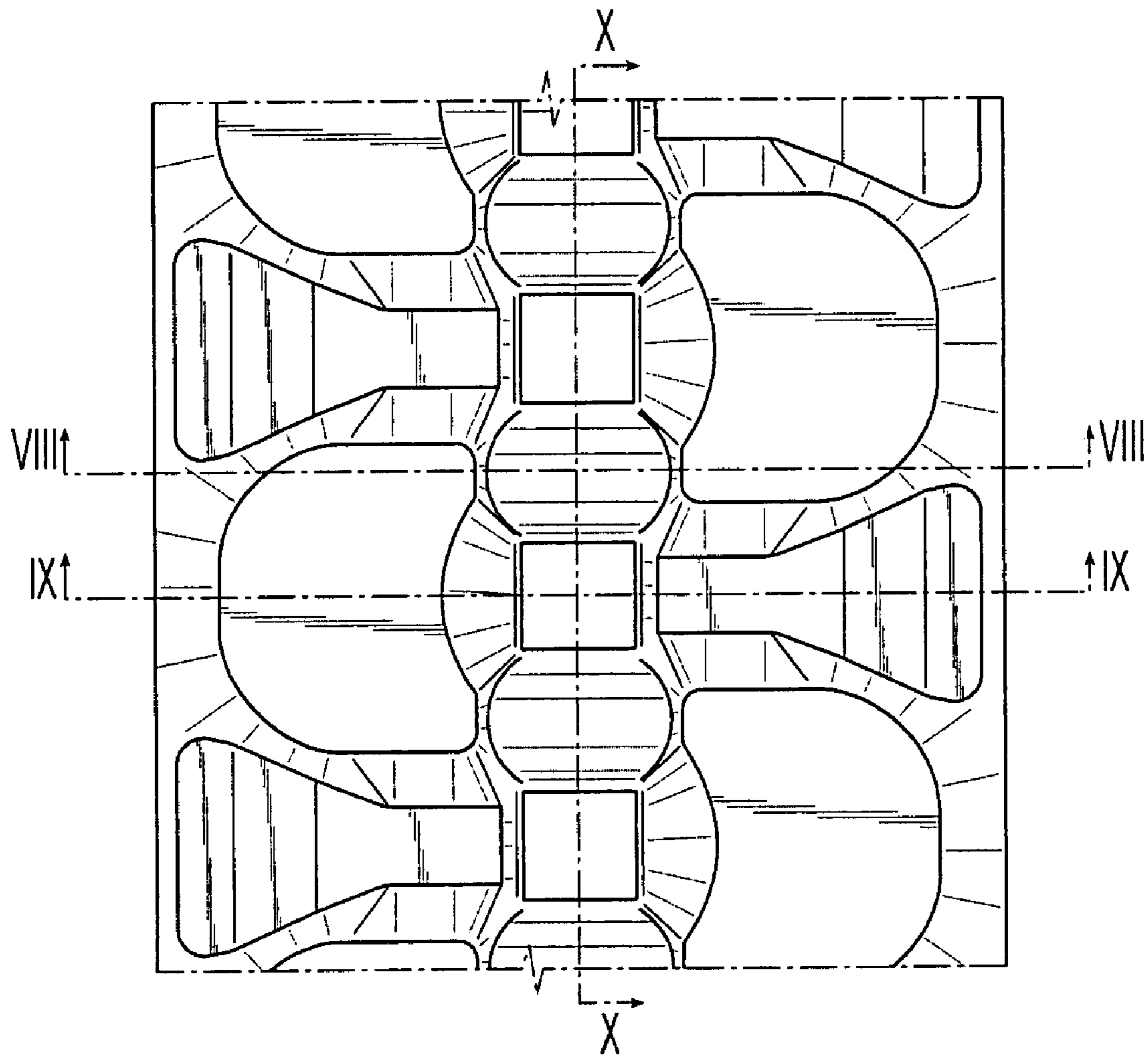


Fig. 2

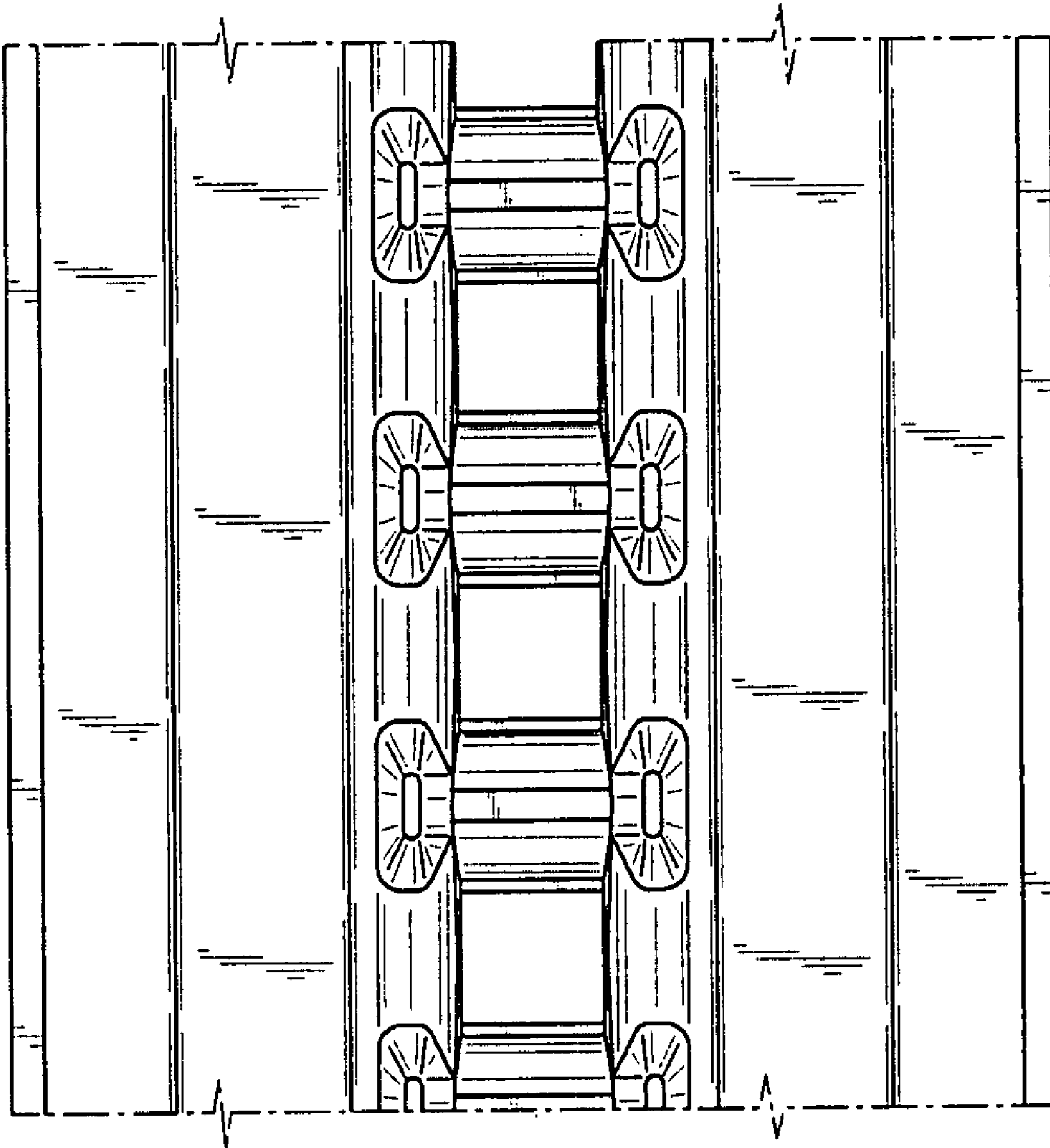


Fig. 3

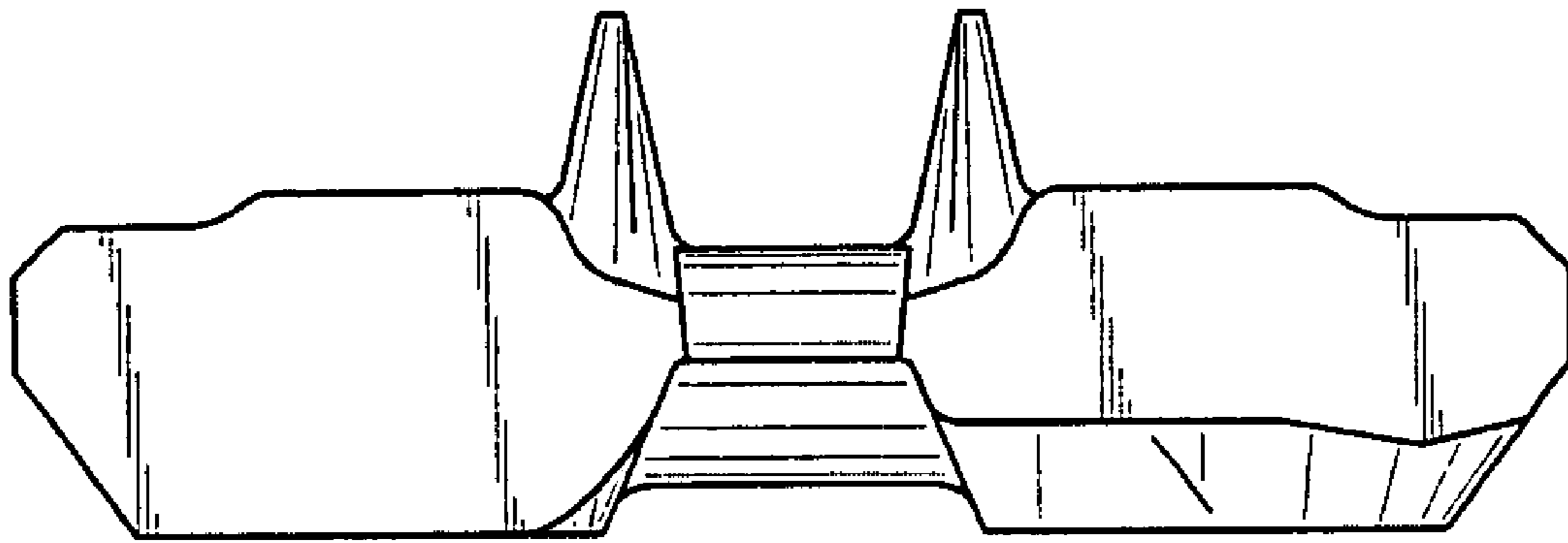


Fig. 4

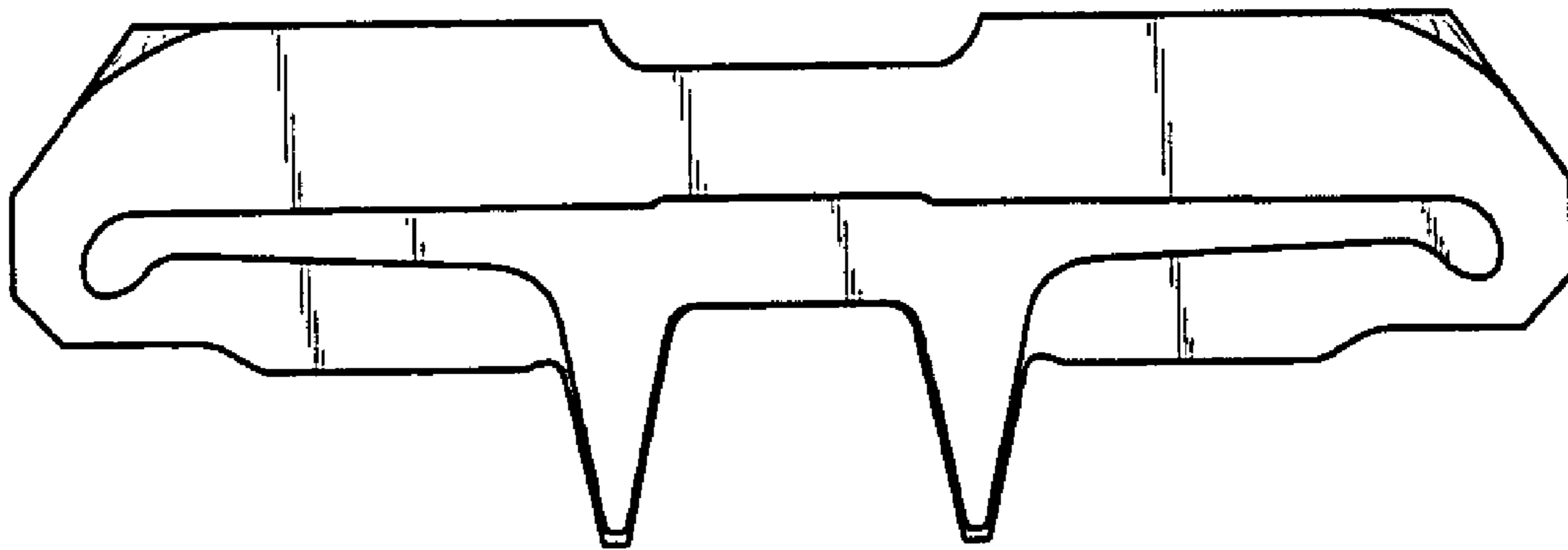


Fig. 5

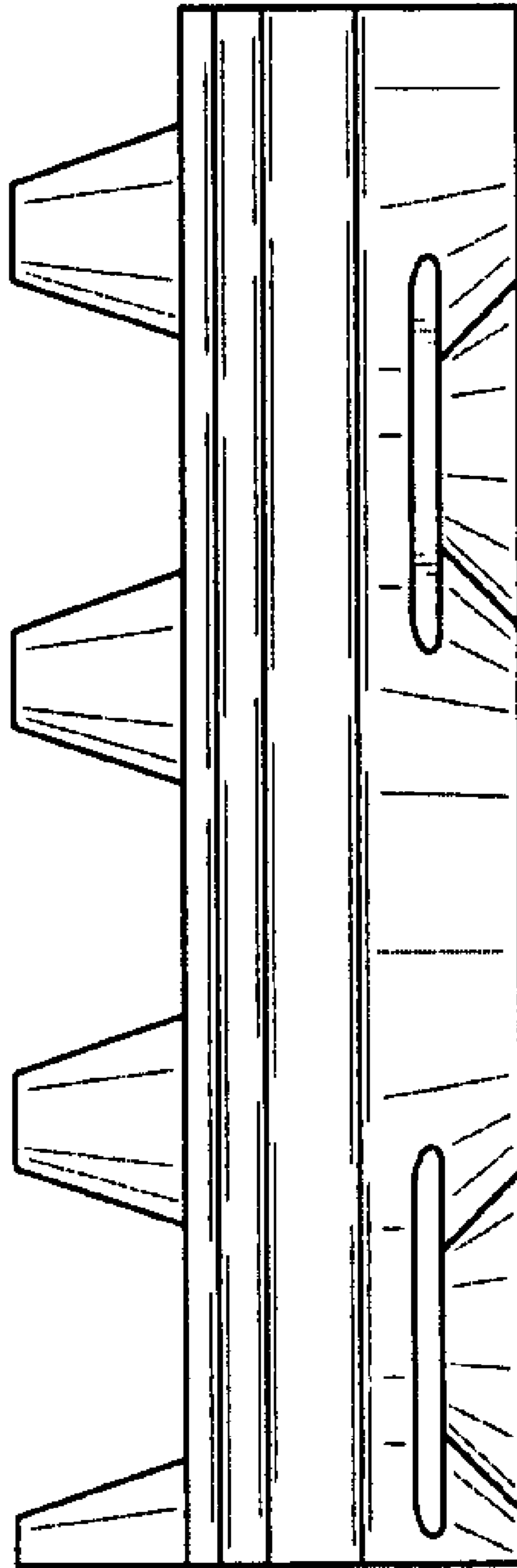


Fig. 6

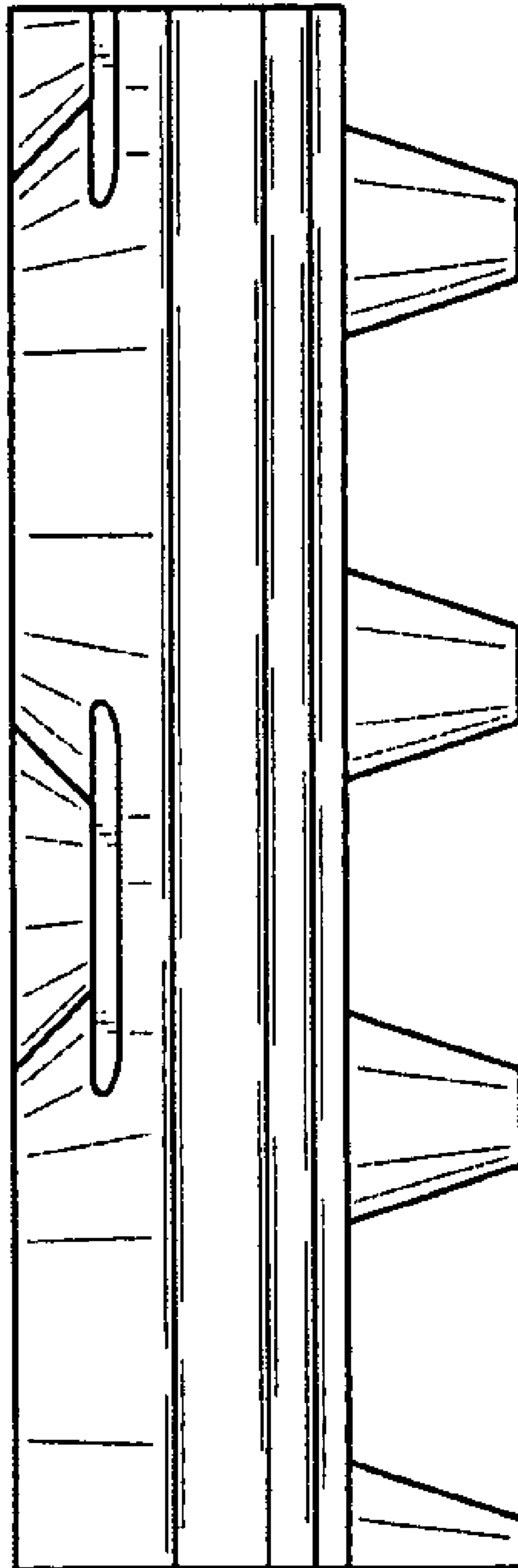


Fig. 7

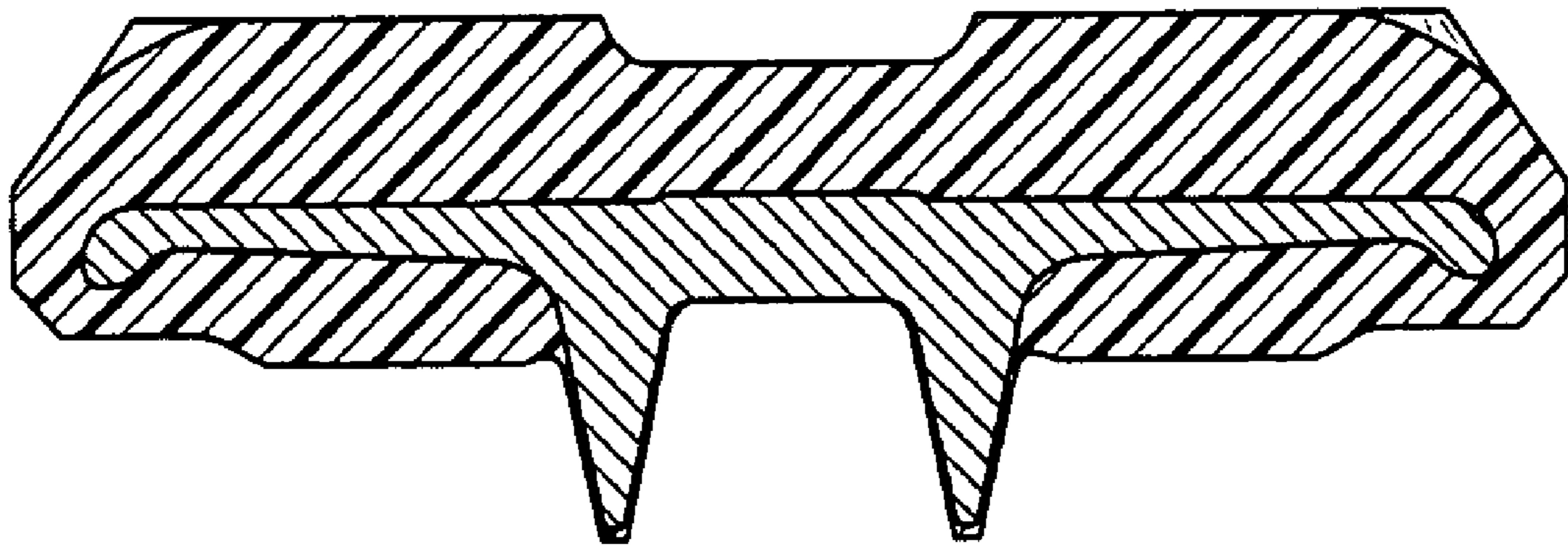


Fig. 8

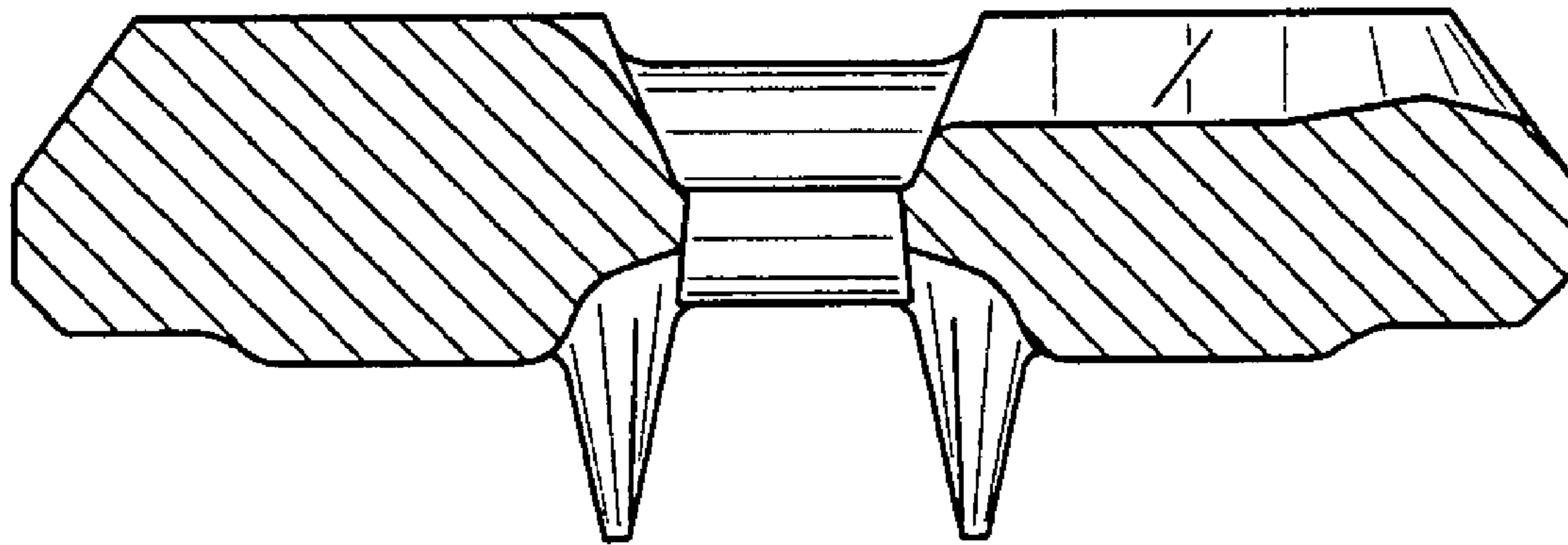


Fig. 9

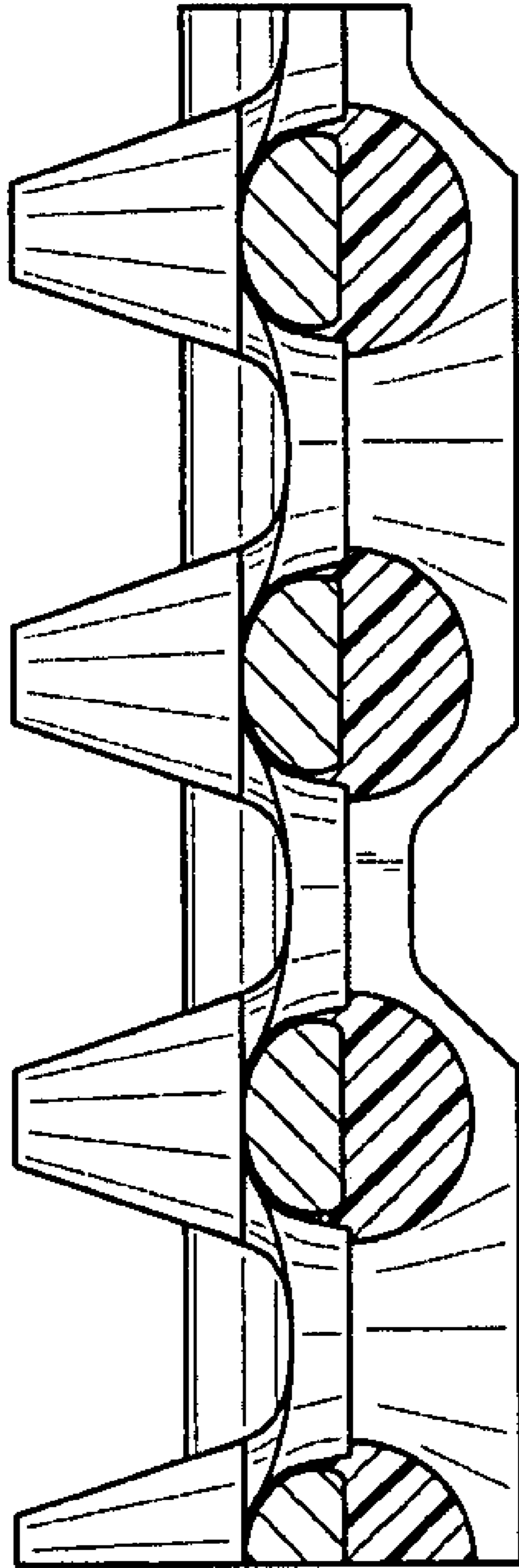


Fig. 10