



US00D562350S

(12) **United States Design Patent**  
**Higashikawa**

(10) **Patent No.:** **US D562,350 S**

(45) **Date of Patent:** **\*\* Feb. 19, 2008**

(54) **FUEL TANK AND FENDER ASSEMBLY FOR  
A WORK MACHINE**

(75) Inventor: **Yoshitaka Higashikawa**, Sakai (JP)

(73) Assignee: **Kubota Corporation**, Osaka (JP)

(\*\*) Term: **14 Years**

(21) Appl. No.: **29/273,477**

(22) Filed: **Mar. 6, 2007**

(30) **Foreign Application Priority Data**

Sep. 28, 2006 (JP) ..... 2006-26020

(51) **LOC (8) Cl.** ..... **15-03**

(52) **U.S. Cl.** ..... **D15/17; D15/28; D12/218**

(58) **Field of Classification Search** ..... D15/10,  
D15/14, 15, 17, 22-26, 33; 180/69.2, 89.1,  
180/89.12, 900, 69.5; 56/12.7, 15.8, 16.7,  
56/13.3, 10.1, 202, 320.1; 280/834; D12/121,  
D12/218

See application file for complete search history.

(56) **References Cited**

**U.S. PATENT DOCUMENTS**

- D219,011 S \* 10/1970 Marushak et al. .... D12/218
- D327,484 S \* 6/1992 Flenniken et al. .... D15/17
- D338,896 S \* 8/1993 Flenniken et al. .... D15/17
- D340,461 S \* 10/1993 Patterson et al. .... D15/15
- D362,447 S \* 9/1995 Lamb ..... D15/15
- D392,981 S \* 3/1998 Smith ..... D15/15
- D397,121 S \* 8/1998 Smith ..... D15/15
- 5,816,033 A \* 10/1998 Busboom et al. .... 56/10.8
- 6,026,634 A \* 2/2000 Peter et al. .... 56/10.8
- D428,023 S \* 7/2000 Surrige et al. .... D15/31
- D432,549 S \* 10/2000 Surrige et al. .... D15/17
- D433,425 S \* 11/2000 Surrige et al. .... D15/17
- D440,233 S \* 4/2001 Smith ..... D15/17

- D440,982 S \* 4/2001 Knight et al. .... D15/23
- D441,710 S \* 5/2001 Moehle et al. .... D12/218
- D448,036 S \* 9/2001 Goebert et al. .... D15/17
- D457,175 S \* 5/2002 Goebert et al. .... D15/33
- D484,894 S \* 1/2004 McCord et al. .... D15/28
- D493,472 S \* 7/2004 Higashikawa et al. .... D15/28
- D516,588 S \* 3/2006 Higashikawa ..... D15/28

\* cited by examiner

*Primary Examiner*—Stella M. Reid

*Assistant Examiner*—Mark Goodwin

(74) *Attorney, Agent, or Firm*—The Webb Law Firm

(57) **CLAIM**

The ornamental design for a fuel tank and fender assembly for a work machine, as shown and described.

**DESCRIPTION**

FIG. 1 is a left side view of the fuel tank and fender assembly for a work machine in accordance with the subject invention;

FIG. 2 is a left front perspective view thereof;

FIG. 3 is a left rear perspective view thereof;

FIG. 4 is an enlarged left rear perspective view thereof;

FIG. 5 is a right side view of the fuel tank assembly;

FIG. 6 is a right front perspective view thereof;

FIG. 7 is a right rear perspective view thereof;

FIG. 8 is an enlarged right rear perspective view thereof; and,

FIG. 9 is a rear view thereof.

FIGS. 2, 3, 6, 7, and 8 show the fuel tank and fender assembly for a work machine in its intended environment by the area having a stippled texture and outlined in dashed lines. This area is not part of the claimed subject matter.

**1 Claim, 9 Drawing Sheets**

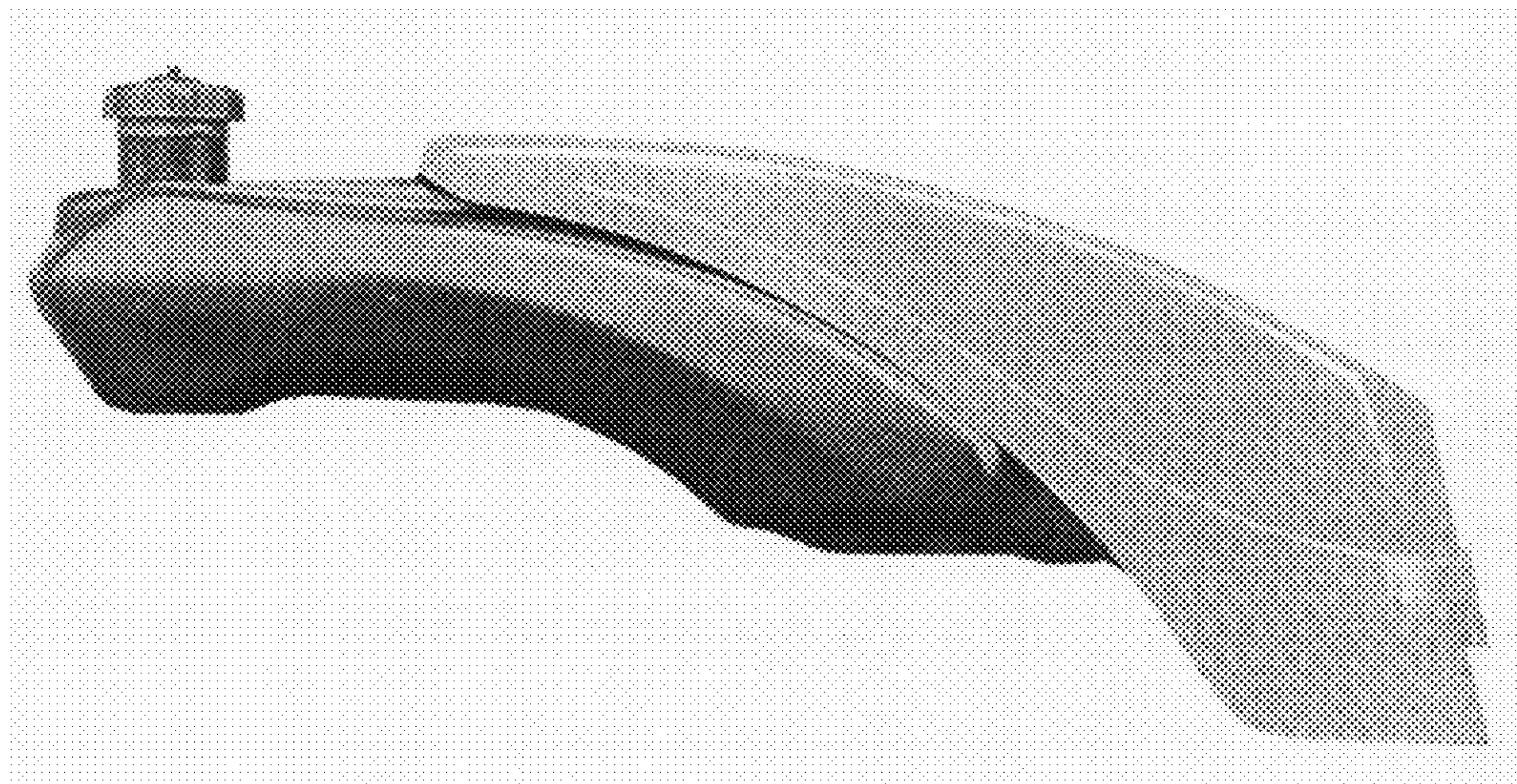
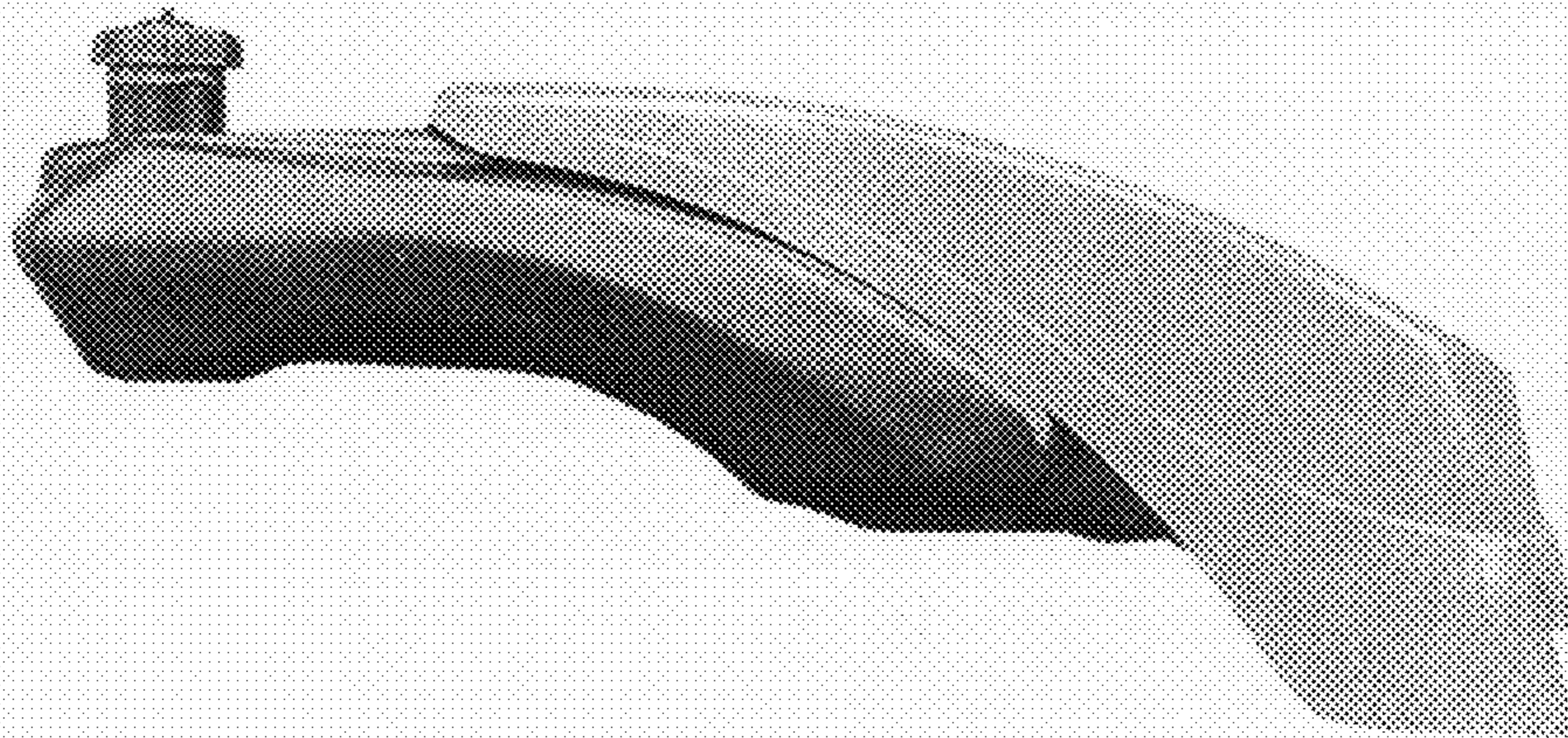
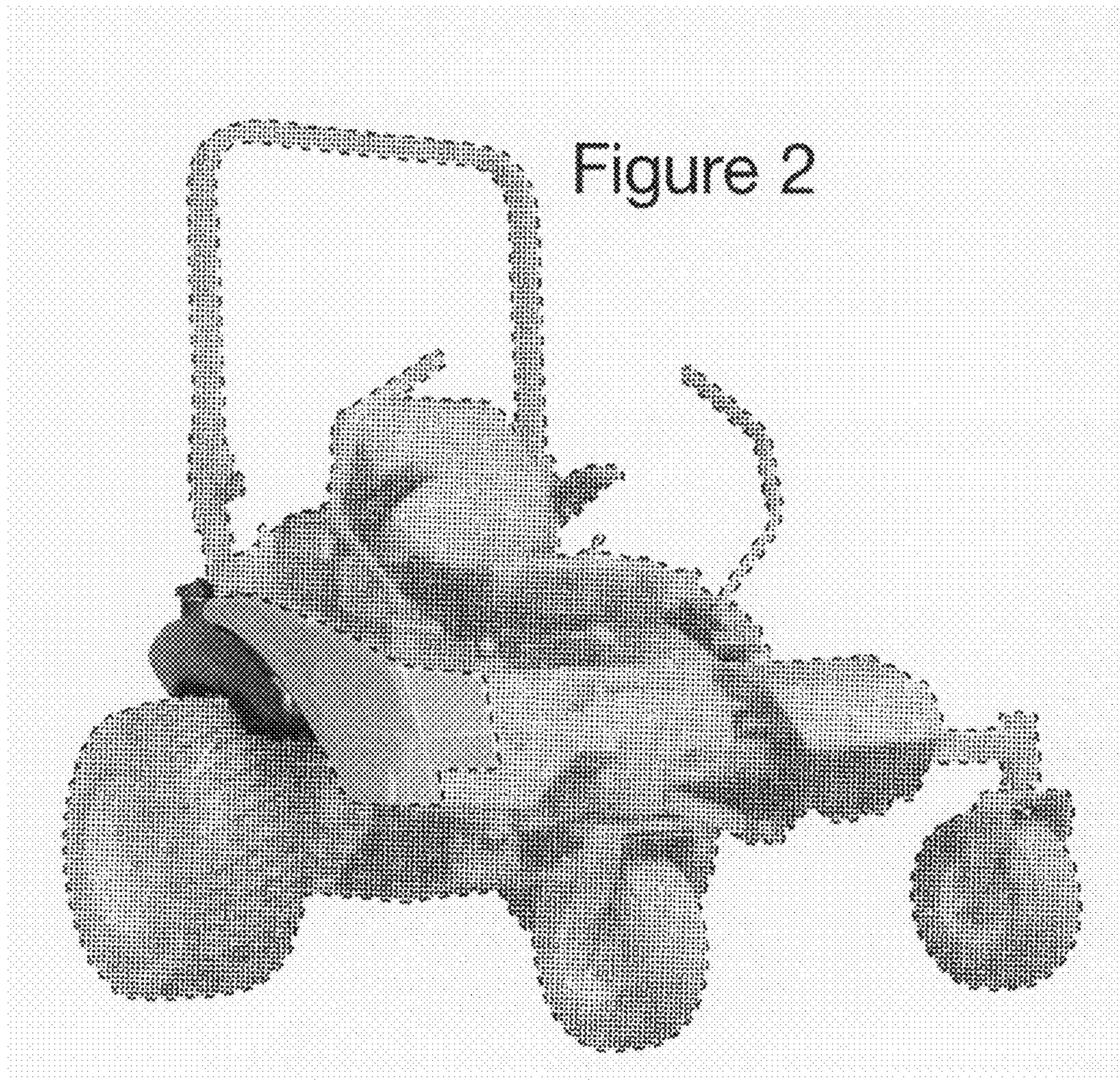


Figure 1





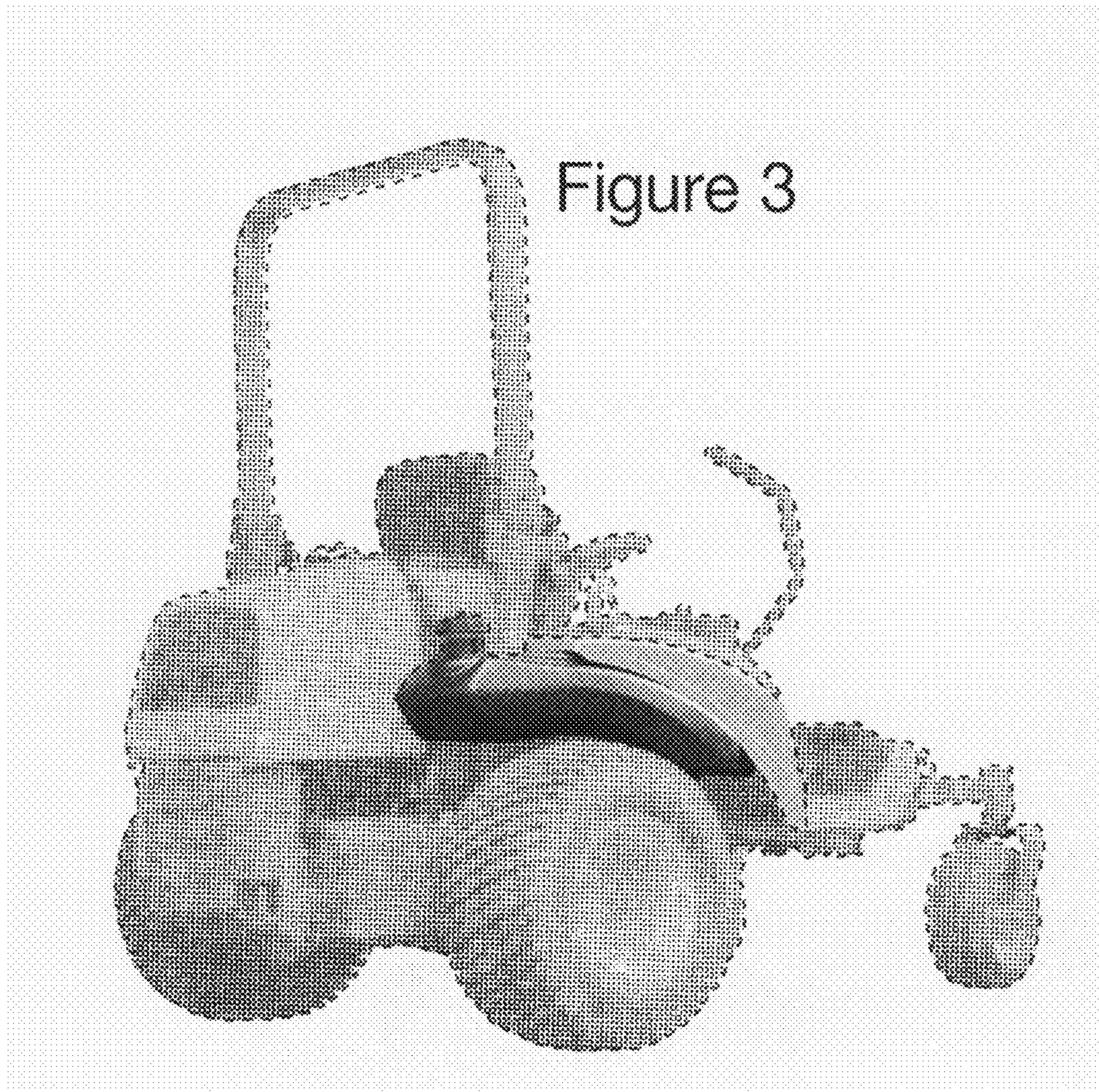


Figure 4

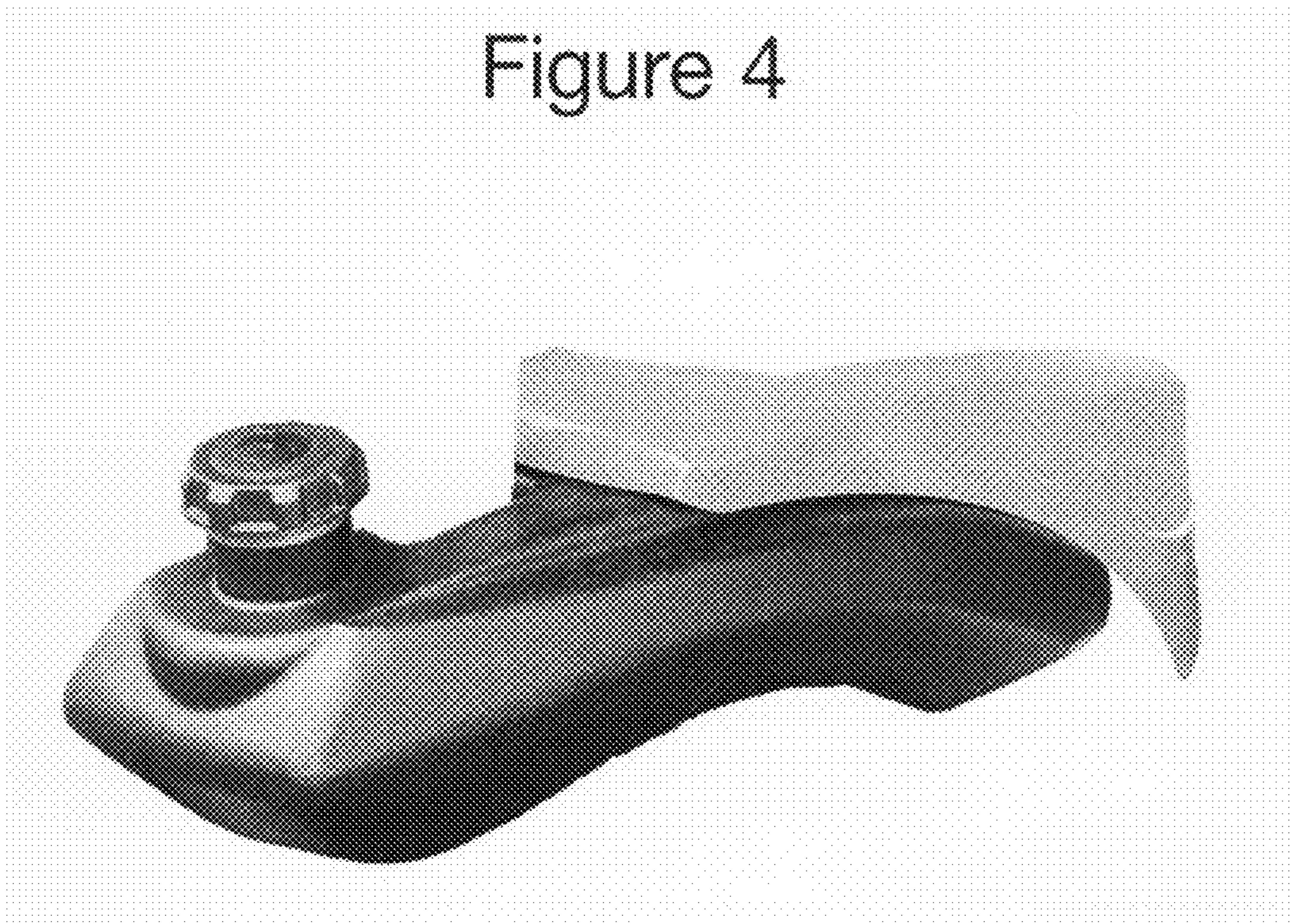
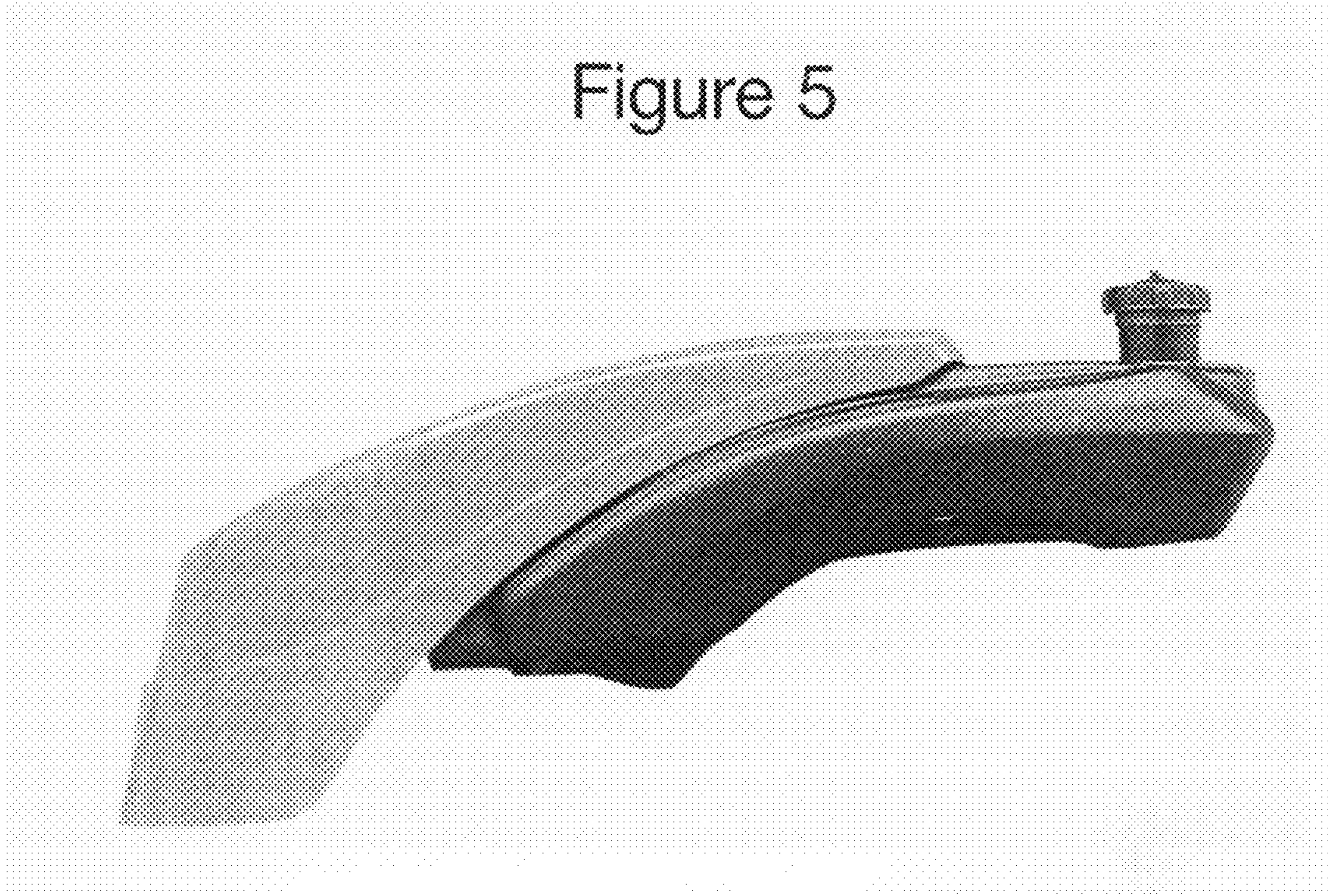


Figure 5



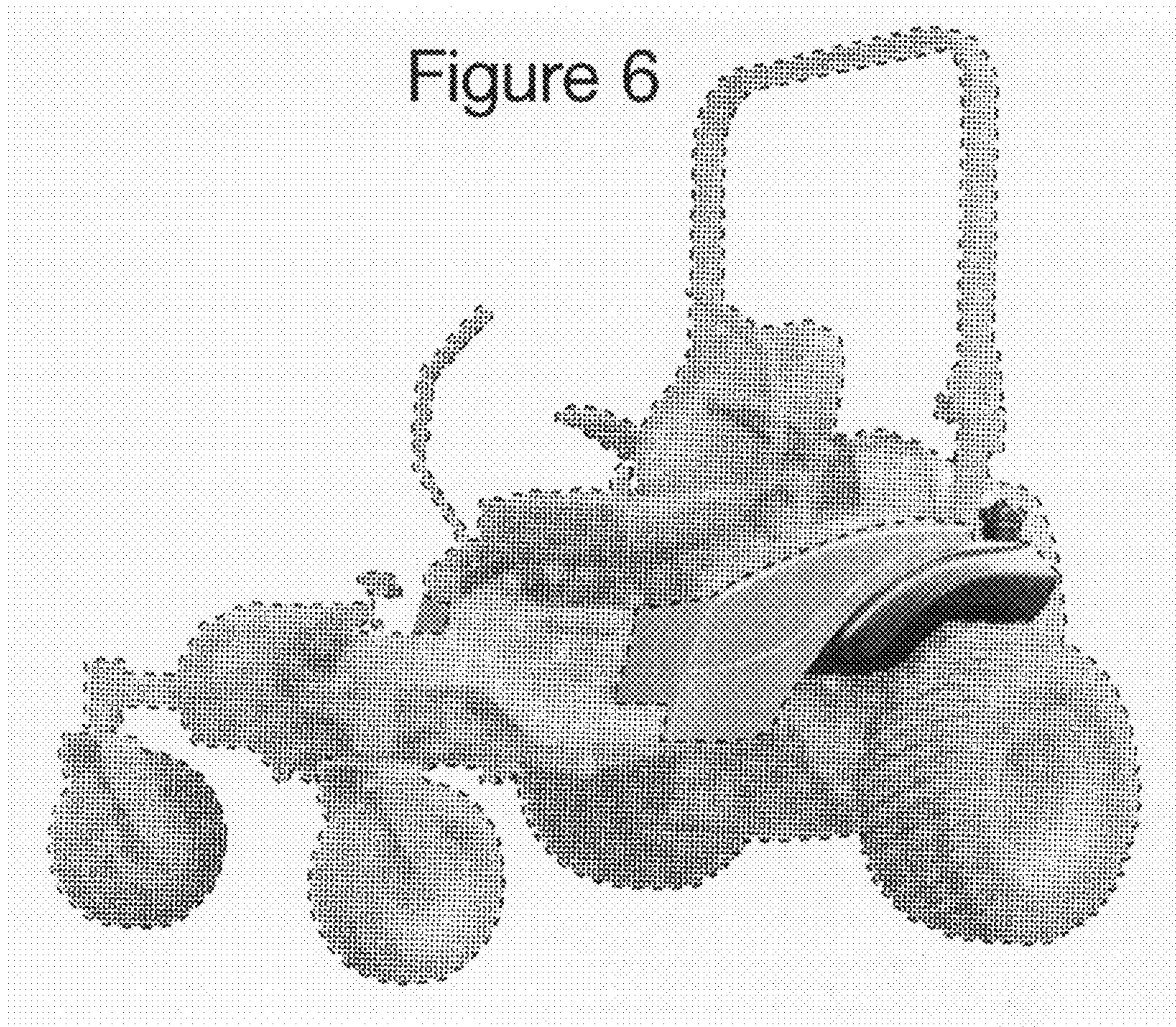


Figure 7

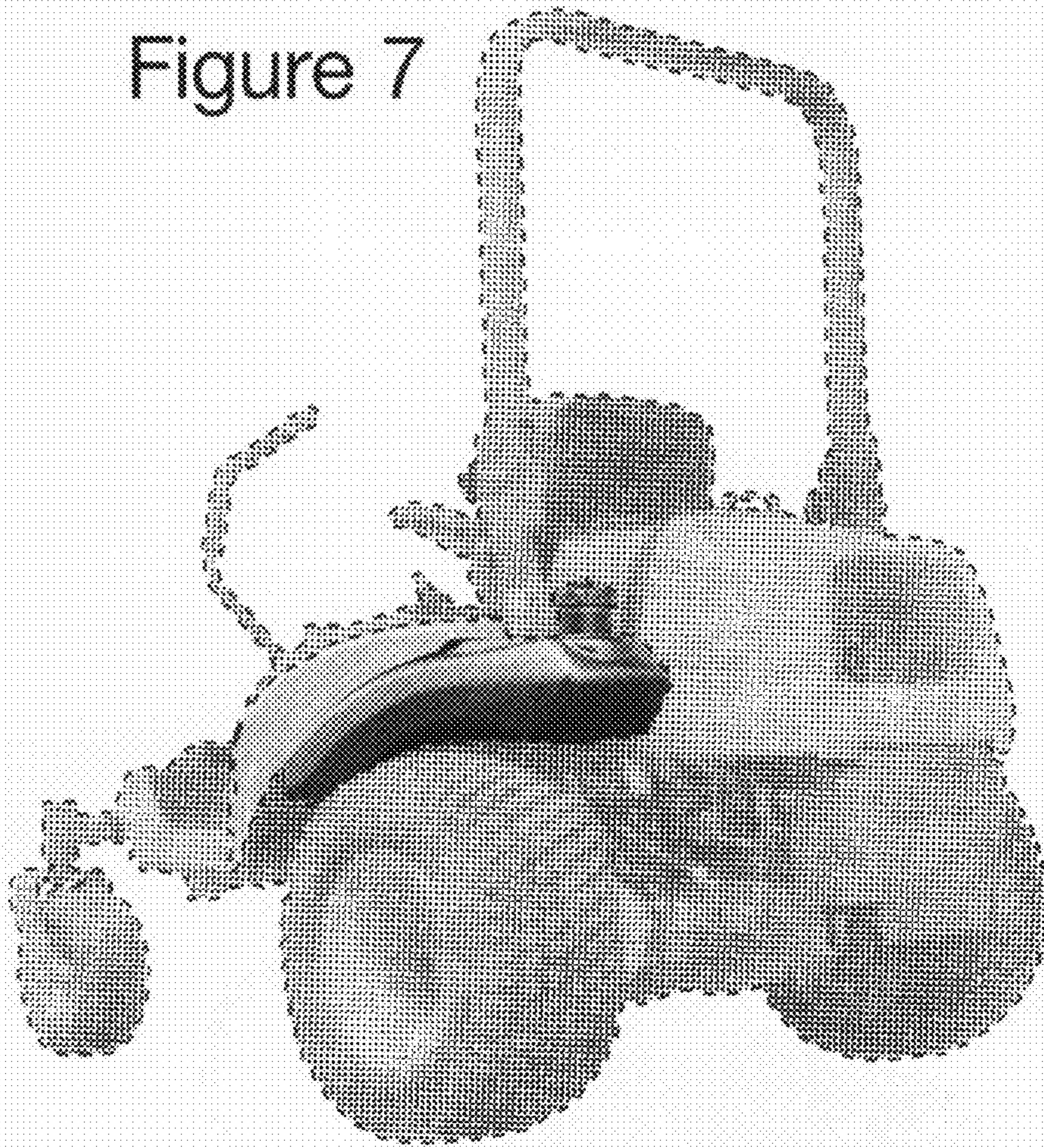




Figure 8

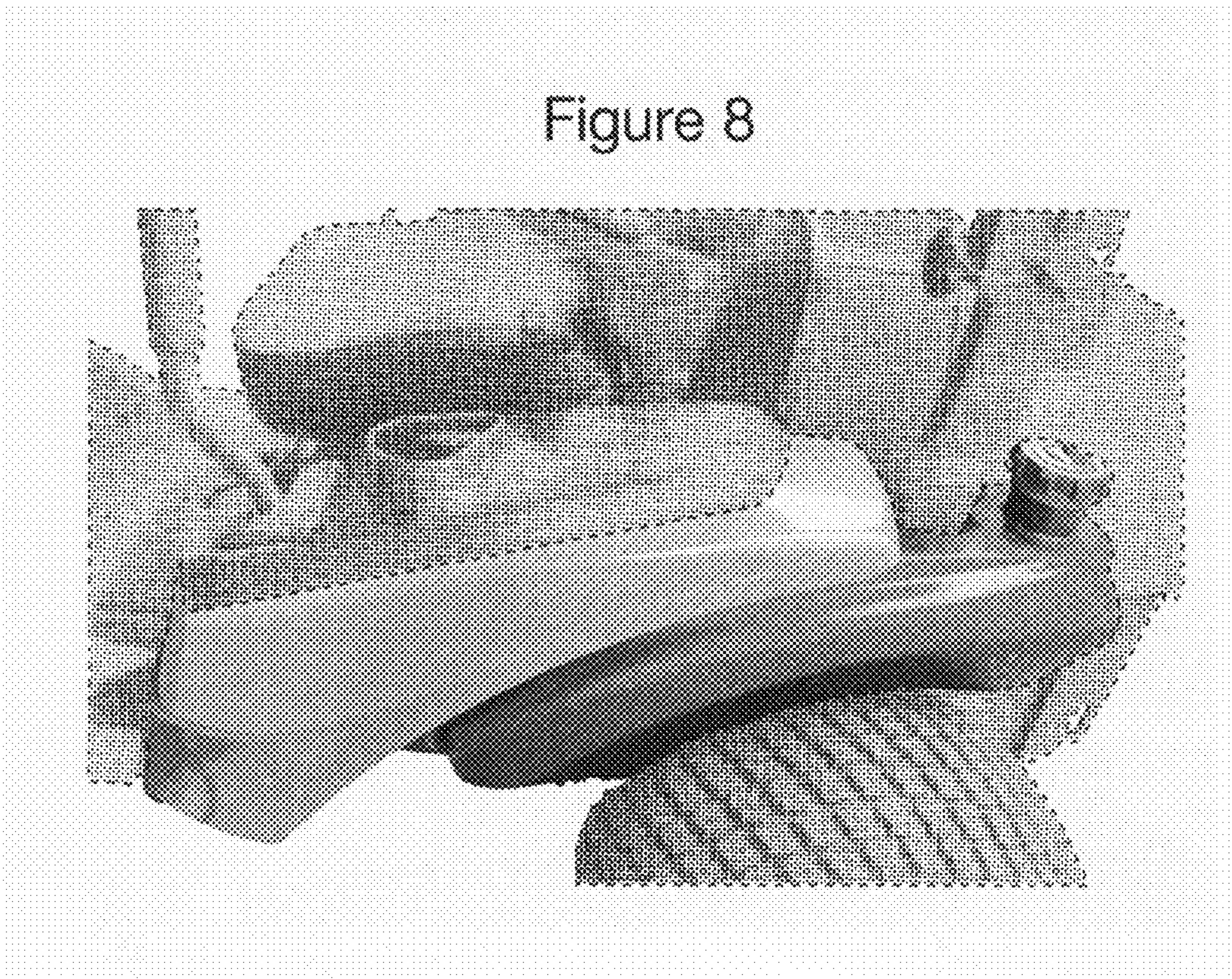


Figure 9

