



US00D562349S

(12) **United States Design Patent**
Bülter

(10) **Patent No.:** **US D562,349 S**
(45) **Date of Patent:** **** Feb. 19, 2008**

(54) **WATER PUMP**

(75) **Inventor:** **Christoph Bülter**, Hörstel-Riesenbeck
(DE)

(73) **Assignee:** **OASE GmbH**, Hörstel-Riesenbeck
(DE)

(**) **Term:** **14 Years**

(21) **Appl. No.:** **29/276,821**

(22) **Filed:** **Feb. 7, 2007**

(30) **Foreign Application Priority Data**

Aug. 7, 2006 (EM) 000 573 605

(51) **LOC (8) Cl.** **15-02**

(52) **U.S. Cl.** **D15/9**

(58) **Field of Classification Search** D15/7-9;
D23/232, 231; 417/359, 415-416, 410.1,
417/321, 265, 405

See application file for complete search history.

(56) **References Cited**

U.S. PATENT DOCUMENTS

D277,675 S * 2/1985 Hung D15/9

D327,482 S * 6/1992 Wang D15/9
D375,962 S * 11/1996 Wong D15/9
D446,220 S * 8/2001 Boughton et al. D15/7
D466,134 S * 11/2002 Carley et al. D15/7
D530,725 S * 10/2006 Beckman et al. D15/9

* cited by examiner

Primary Examiner—Ralf Seifert

(74) *Attorney, Agent, or Firm*—Gudrun E. Huckett

(57) **CLAIM**

The ornamental design for a water pump, as shown and described.

DESCRIPTION

FIG. 1 is a perspective view of my water pump viewed from the front;

FIG. 2 is a side view of the left side of my water pump;

FIG. 3 is a side view of the right side of my water pump;

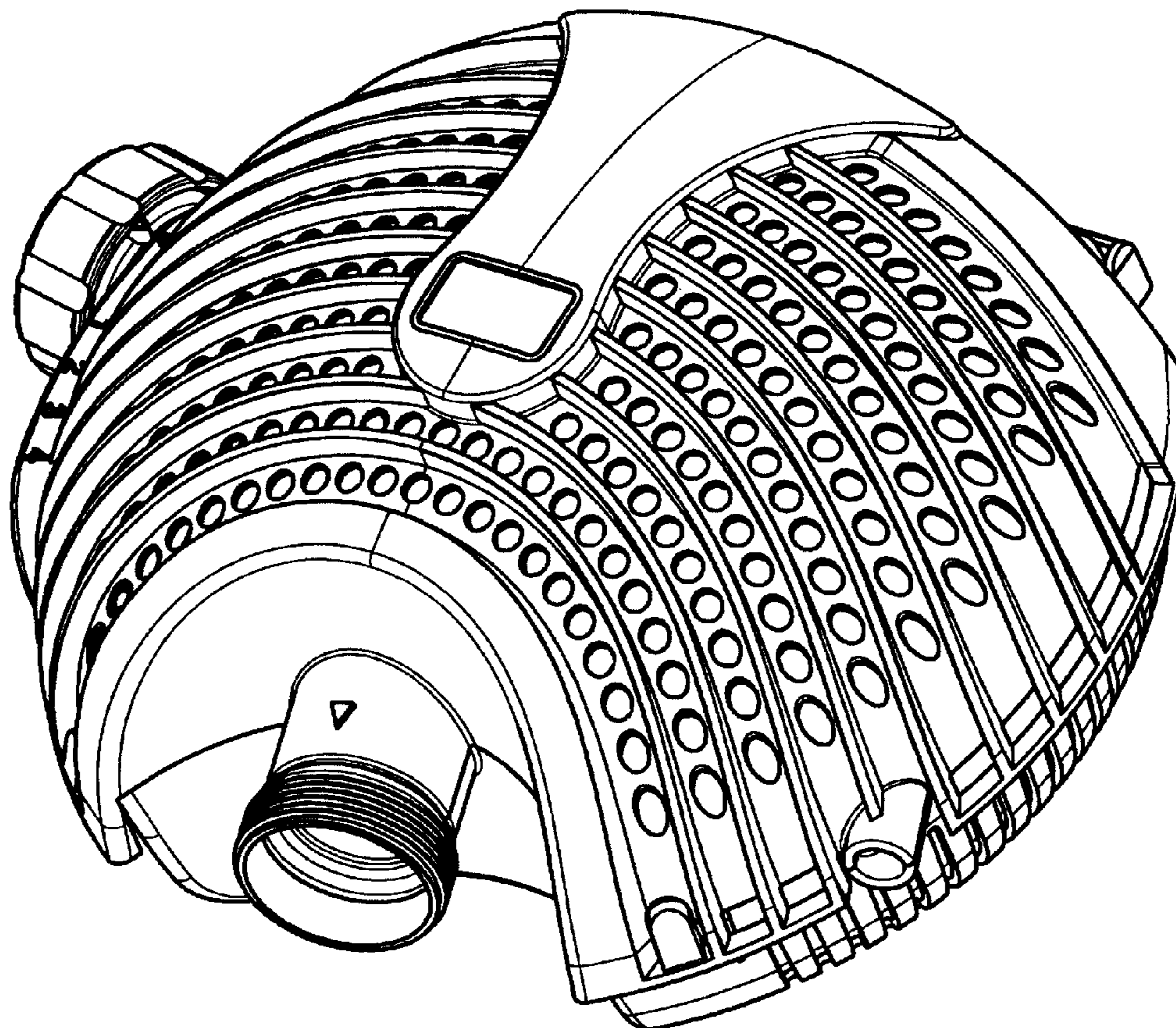
FIG. 4 is an end view of the front of my water pump;

FIG. 5 is an end view of the rear of my water pump;

FIG. 6 is a top plan view of my water pump; and,

FIG. 7 is a bottom view of my water pump.

1 Claim, 7 Drawing Sheets



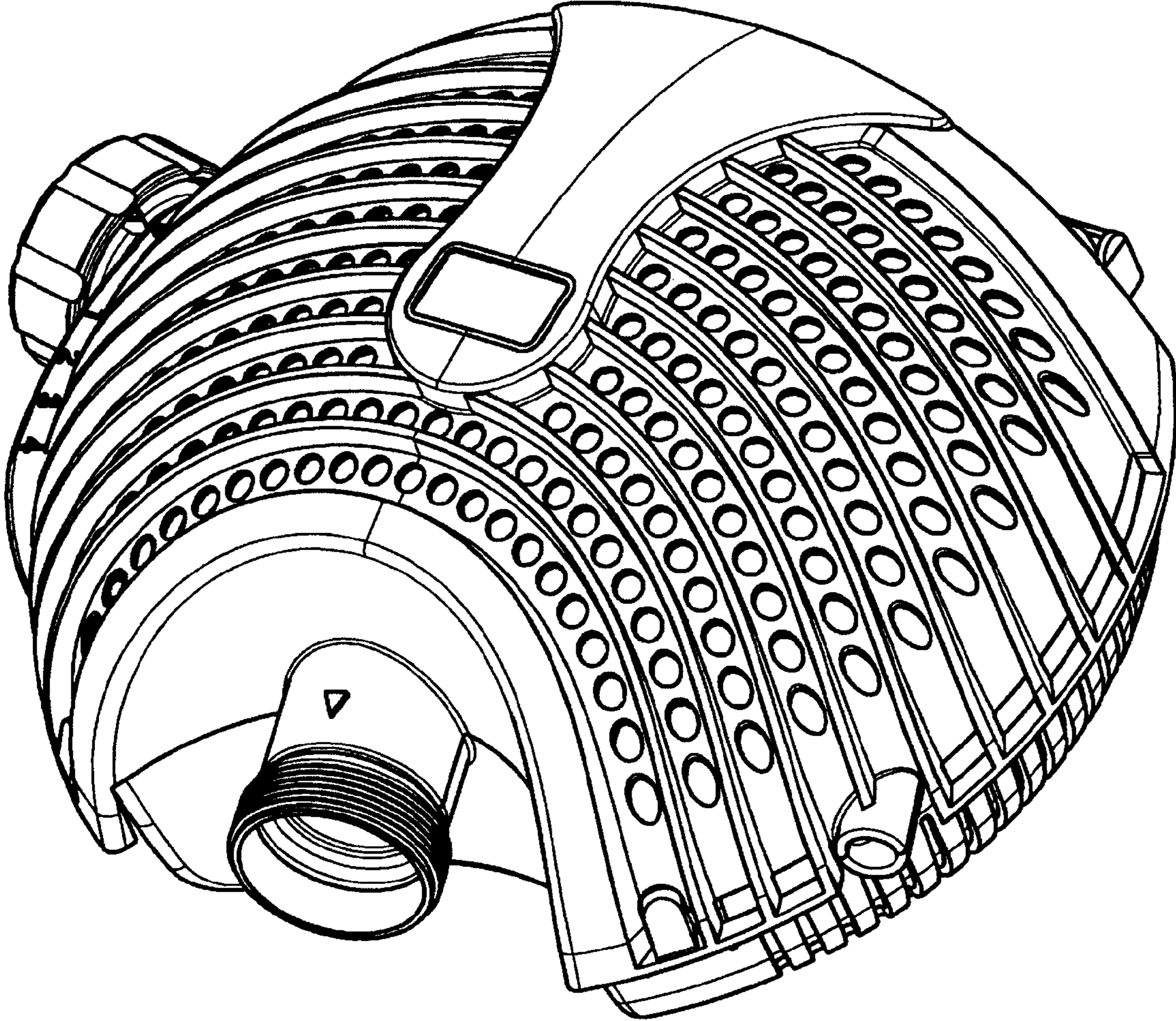


Fig.1

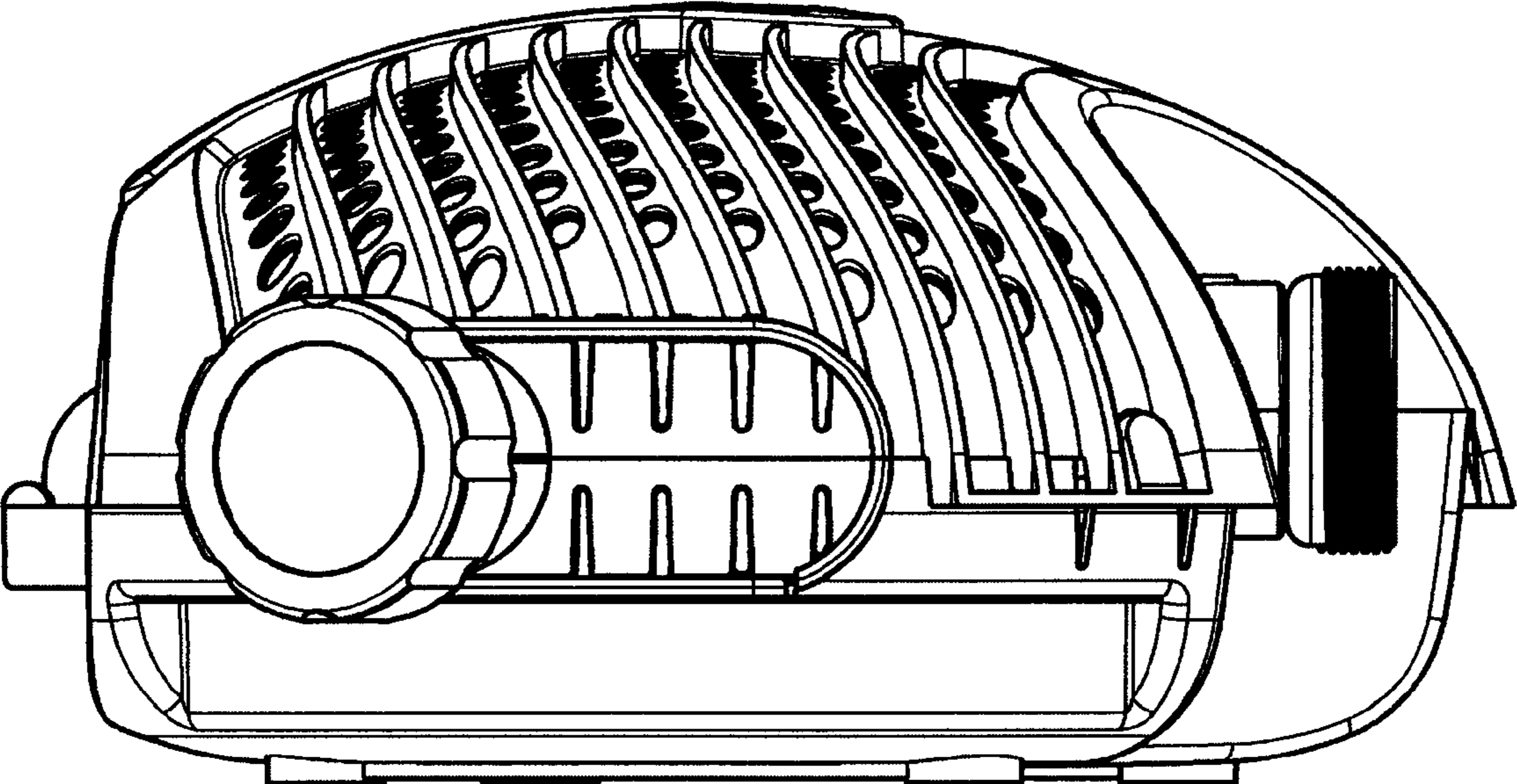


Fig. 2

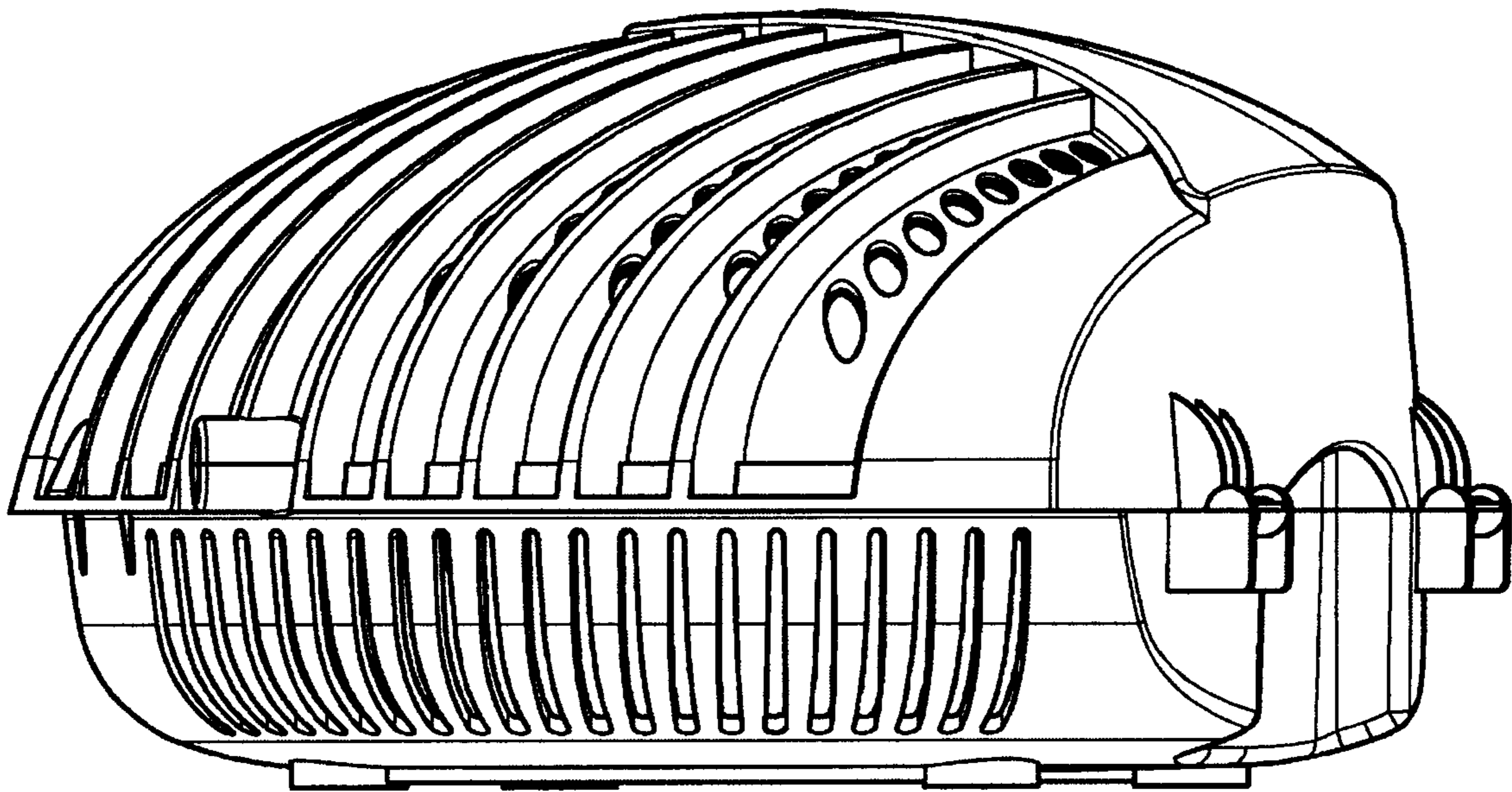


Fig. 3

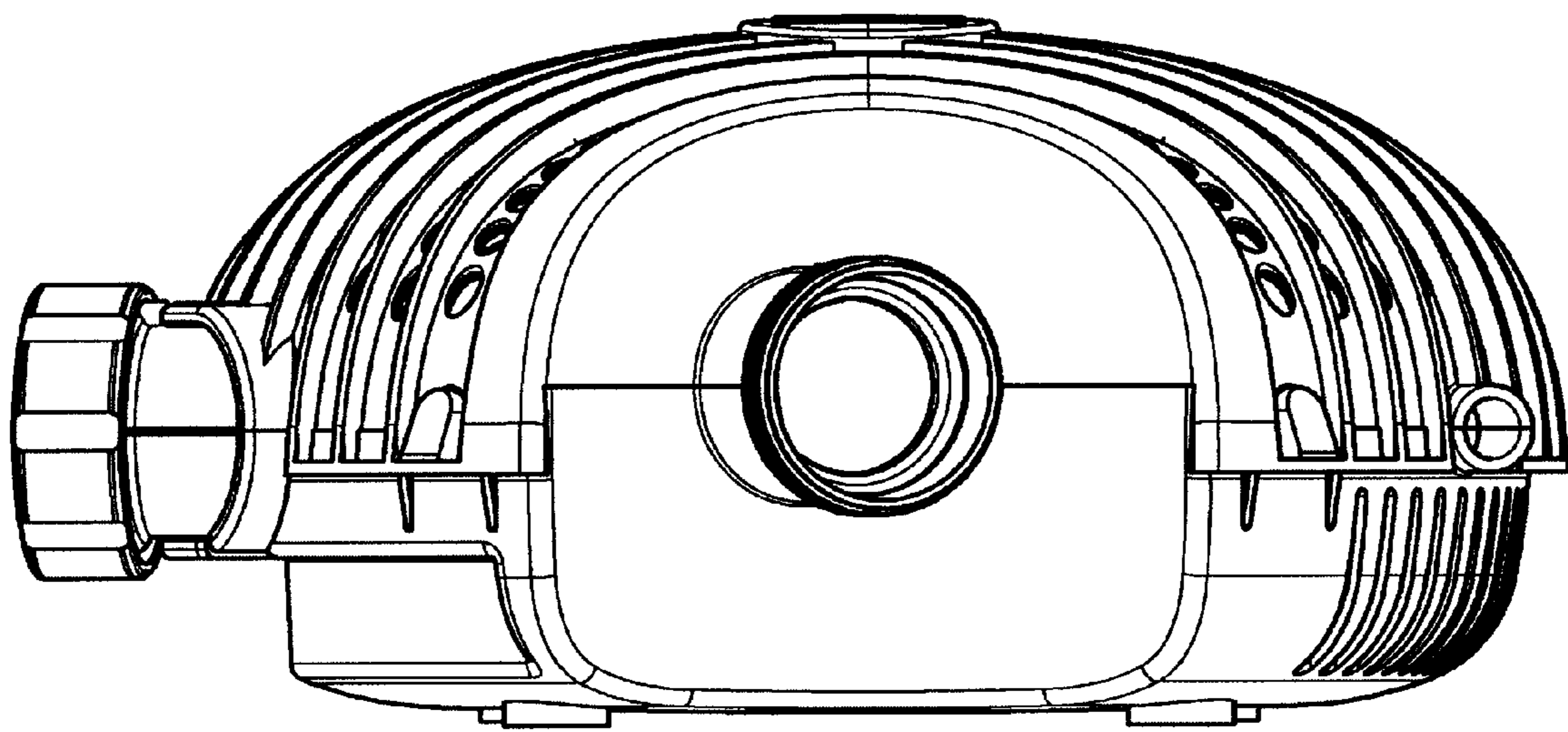


Fig. 4

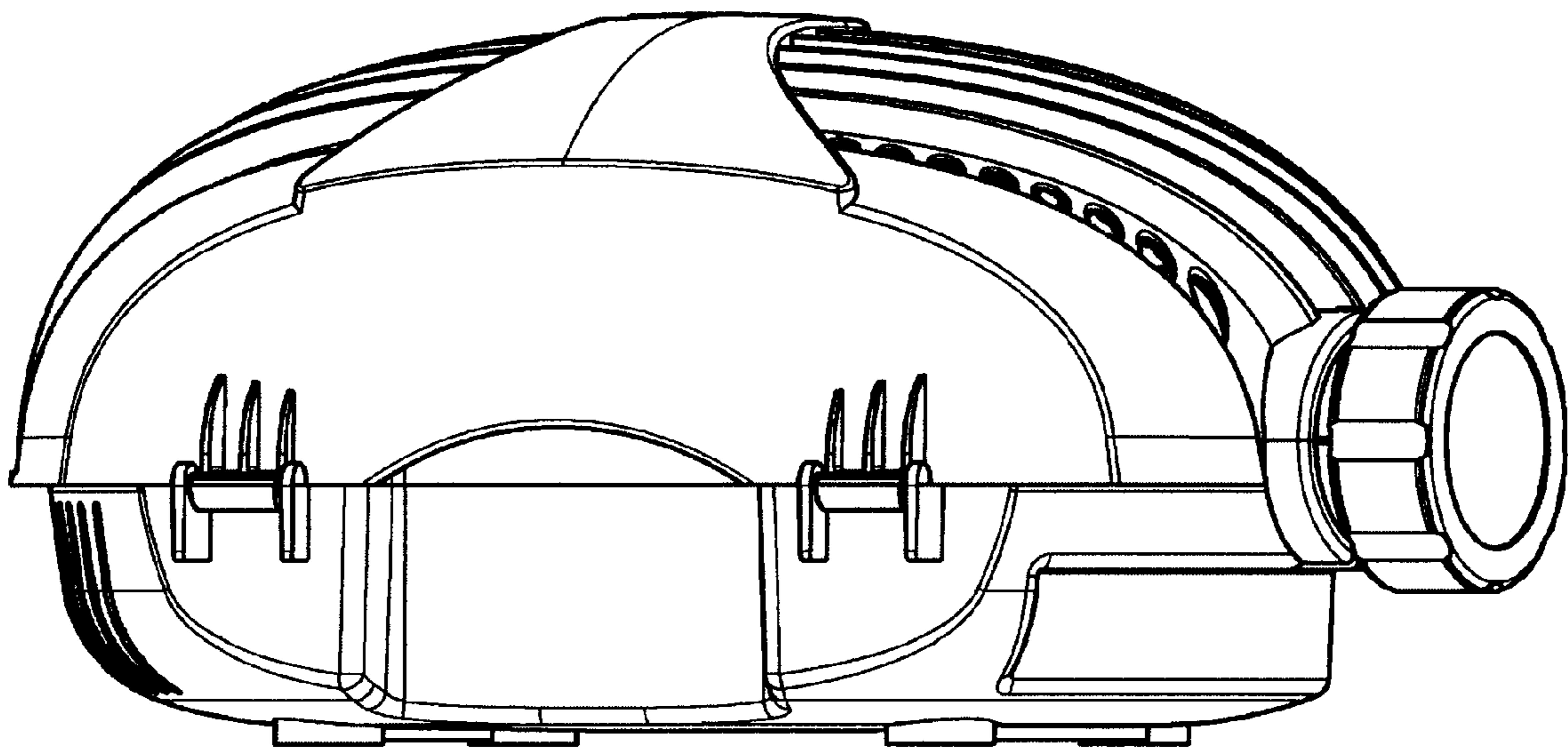


Fig. 5

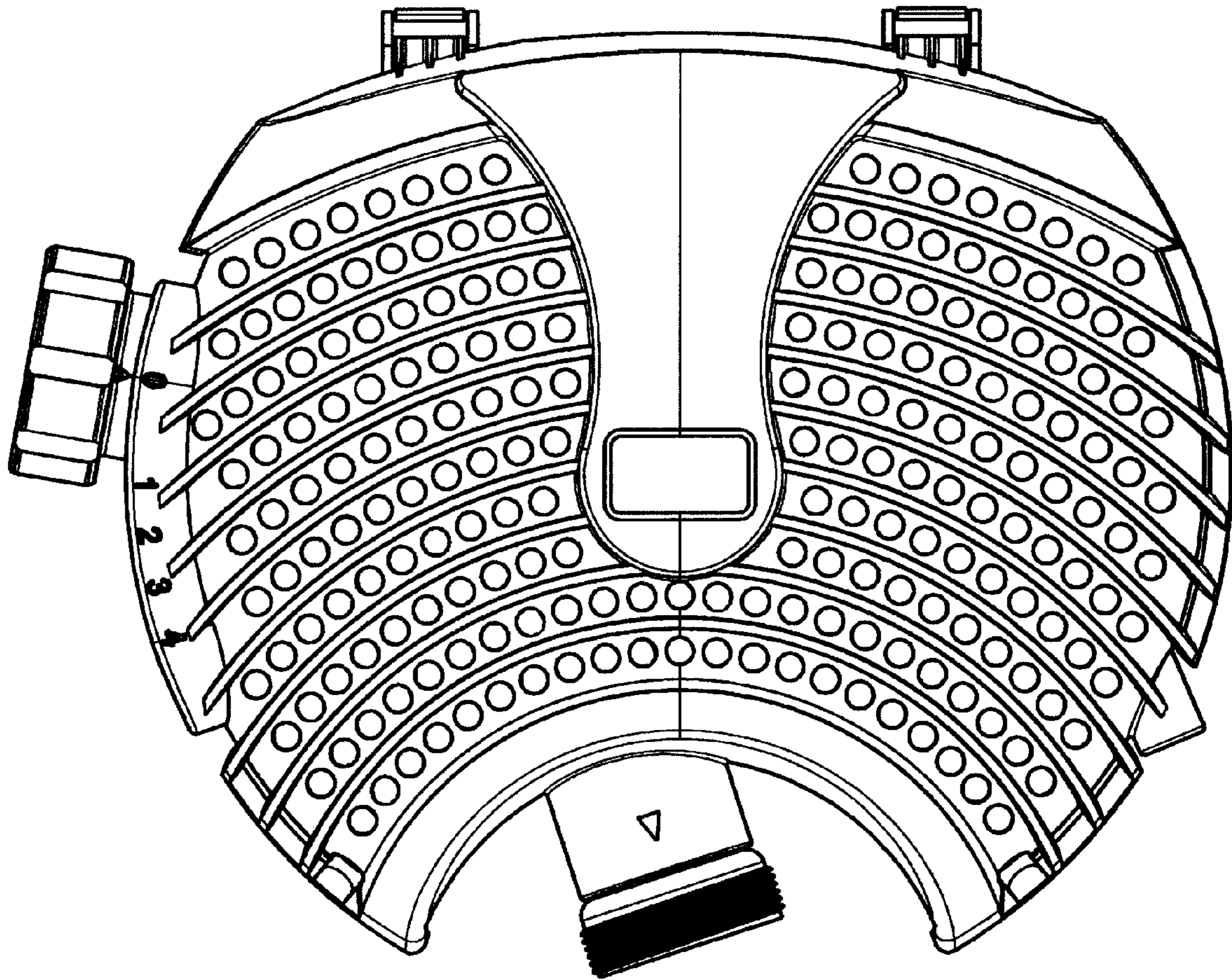


Fig. 6

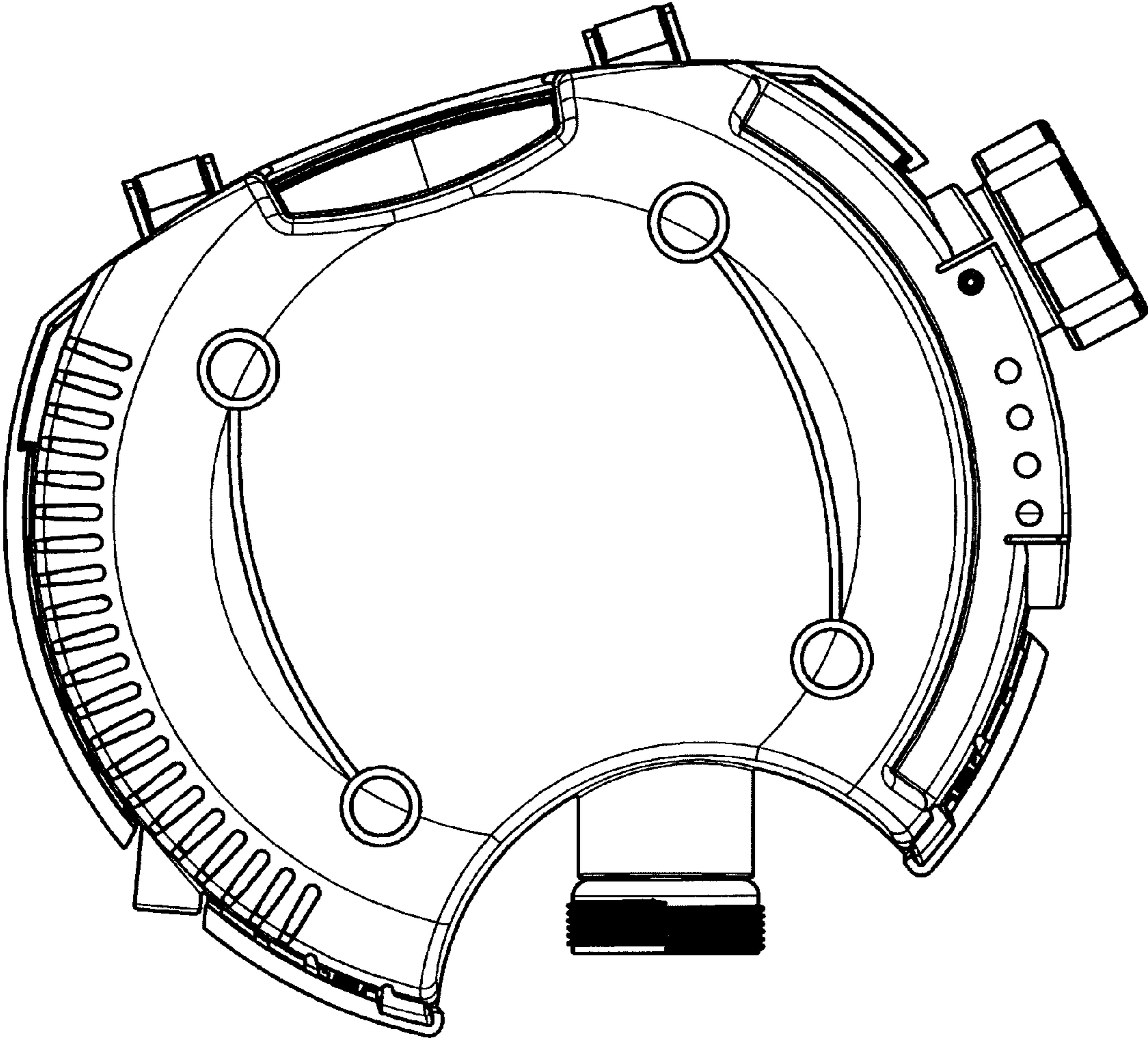


Fig. 7