



US00D562348S

(12) **United States Design Patent**  
**Andre et al.**

(10) **Patent No.:** **US D562,348 S**  
(45) **Date of Patent:** **\*\* Feb. 19, 2008**

(54) **MEDIA DEVICE**

(75) Inventors: **Bartley K. Andre**, Menlo Park, CA (US); **Daniel J. Coster**, San Francisco, CA (US); **Daniele De Iuliis**, San Francisco, CA (US); **Richard P. Howarth**, San Francisco, CA (US); **Jonathan P. Ive**, San Francisco, CA (US); **Steve Jobs**, Palo Alto, CA (US); **Duncan Robert Kerr**, San Francisco, CA (US); **Shin Nishibori**, San Francisco, CA (US); **Matthew Dean Rohrbach**, San Francisco, CA (US); **Douglas R. Satzger**, Menlo Park, CA (US); **Calvin Q. Seid**, Palo Alto, CA (US); **Christopher J. Stringer**, Portola Valley, CA (US); **Eugene Antony Whang**, San Francisco, CA (US); **Rico Zorkendorfer**, San Francisco, CA (US)

(73) Assignee: **Apple Inc.**, Cupertino, CA (US)

(\*\*) Term: **14 Years**

(21) Appl. No.: **29/278,244**

(22) Filed: **Mar. 22, 2007**

**Related U.S. Application Data**

(63) Continuation of application No. 29/237,096, filed on Aug. 24, 2005, now Pat. No. Des. 548,744.

(51) **LOC (8) Cl.** ..... **14-03**

(52) **U.S. Cl.** ..... **D14/496**

(58) **Field of Classification Search** ..... D14/496, D14/401, 435, 474, 483, 217, 137, 138, 160, D14/168; 345/156, 169, 173-179, 905; 715/727-729, 715/864; 455/11.1, 773, 344-347, 93, 95; 370/342-344; 369/1, 2, 6, 12; 463/43-47; 273/148 B

See application file for complete search history.

(56) **References Cited**

U.S. PATENT DOCUMENTS

D264,969 S 6/1982 McGourty

(Continued)

FOREIGN PATENT DOCUMENTS

CN 3260632 10/2002

(Continued)

OTHER PUBLICATIONS

U.S. Appl. No. 29/237,225, Andre et al., Media Device, filed Aug. 24, 2005.

(Continued)

*Primary Examiner*—Prabhakar Deshmukh  
(74) *Attorney, Agent, or Firm*—Sterne, Kessler, Goldstein & Fox P.L.L.C.

(57) **CLAIM**

We claim the ornamental design for a media device, substantially as shown and described.

**DESCRIPTION**

FIG. 1 is a perspective view of a media device showing our new design.

FIG. 2 is a front view for the media device.

FIG. 3 is a rear view for the media device.

FIG. 4 is a bottom view for the media device.

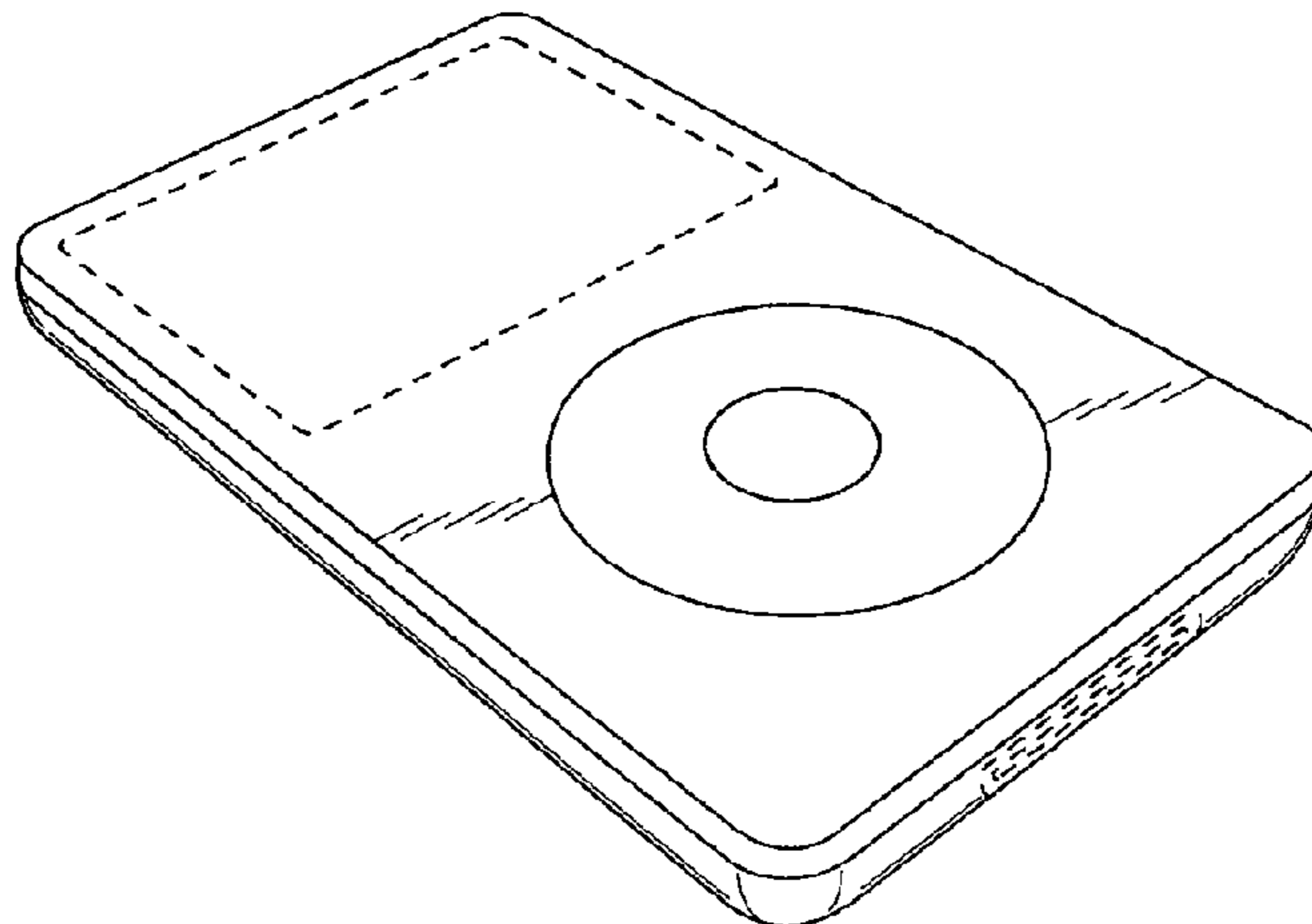
FIG. 5 is a top view for the media device.

FIG. 6 is a right side view for the media device; and,

FIG. 7 is a left side view for the media device.

The broken lines, which define the bounds of the claimed design, form no part thereof. The broken lines environmental are for illustrative purpose only and form no part of the claimed design.

**1 Claim, 3 Drawing Sheets**



# US D562,348 S

Page 2

## U.S. PATENT DOCUMENTS

4,976,435	A	12/1990	Shatford et al.	
5,192,082	A	3/1993	Inoue et al.	
5,661,632	A	8/1997	Register	
D412,940	S	8/1999	Kato et al.	
5,964,661	A	10/1999	Dodge	
D425,885	S	5/2000	Amron	
D430,169	S	8/2000	Scibora	
6,122,526	A	9/2000	Parulski et al.	
D432,523	S	10/2000	Grinkus et al.	
D437,860	S	2/2001	Suzuki et al.	
6,227,966	B1	5/2001	Yokoi	
6,254,477	B1	7/2001	Sasaki et al.	
6,262,785	B1	7/2001	Kim	
D448,810	S	10/2001	Goto	
D450,713	S	11/2001	Masamitsu et al.	
6,314,483	B1	11/2001	Goto et al.	
D452,250	S *	12/2001	Chan ..... D14/496	
D455,793	S	4/2002	Lin	
D468,365	S	1/2003	Bransky et al.	
D469,109	S	1/2003	Andre et al.	
D472,245	S	3/2003	Andre et al.	
D473,207	S	4/2003	Tanio	
6,591,085	B1 *	7/2003	Grady ..... 455/42	
D483,809	S	12/2003	Lim	
D486,813	S *	2/2004	Chun ..... D14/156	
D489,052	S *	4/2004	Shiraki et al. .... D14/156	
D489,731	S	5/2004	Huang	
D490,068	S	5/2004	Chen	
D492,323	S	6/2004	Wang	
D494,188	S	8/2004	Huang	
D497,618	S	10/2004	Andre et al.	
D499,423	S	12/2004	Bahroocha et al.	
D499,424	S	12/2004	Bahroocha	
D506,476	S	6/2005	Andre et al.	
D507,003	S	7/2005	Pai et al.	
D507,277	S	7/2005	Sitoh	
6,920,344	B2	7/2005	Jang	
D509,833	S	9/2005	Yang	
D510,937	S	10/2005	Tsai	
D511,347	S	11/2005	Naruki	
D511,529	S	11/2005	Sassano	
D512,403	S	12/2005	Yang	
6,977,675	B2 *	12/2005	Kotzin ..... 348/208.2	
D513,512	S *	1/2006	Tsai ..... D14/496	
D514,120	S	1/2006	Chan	
D514,121	S	1/2006	Johnson	
D514,589	S	2/2006	Chen	
D515,099	S	2/2006	Lee	
D515,546	S	2/2006	Mu	
D516,576	S *	3/2006	Ive et al. .... D14/496	
D517,088	S	3/2006	Chong et al.	
D518,290	S	4/2006	Andre et al.	
D519,523	S	4/2006	Chiu et al.	
D520,020	S	5/2006	Senda et al.	
7,046,230	B2 *	5/2006	Zadesky et al. .... 345/156	
D525,986	S	8/2006	Kim	

D538,820	S	3/2007	Andre et al.
D541,297	S	4/2007	Andre et al.
D541,298	S	4/2007	Andre et al.
D541,299	S	4/2007	Andre et al.
D542,306	S	5/2007	Andre et al.
D542,808	S	5/2007	Andre et al.
D548,744	S	8/2007	Andre et al.
D548,745	S	8/2007	Andre et al.
D548,746	S	8/2007	Andre et al.
D548,747	S	8/2007	Andre et al.
D549,237	S	8/2007	Andre et al.
2004/0224638	A1	11/2004	Fadell et al.

## FOREIGN PATENT DOCUMENTS

CN	3260633	10/2002
CN	3269799	12/2002
CN	3286007	4/2003
CN	3287344	4/2003
CN	3331371	10/2003
CN	3339759	12/2003
CN	3375890	6/2004
CN	3380859	7/2004
CN	3389184	9/2004
CN	3389185	9/2004
CN	3453893	6/2005
CN	3453894	6/2005
CN	3453909	6/2005
CN	3468582	8/2005
CN	3468598	8/2005
CN	3480659	10/2005
CN	3484184	11/2005
CN	3490573	12/2005
CN	3490574	12/2005
CN	3509995	3/2006
CN	3513646	3/2006
CN	3518964	4/2006
CN	3518979	4/2006
CN	3534319	6/2006
CN	3543434	7/2006
CN	3545312	7/2006
CN	3549064	8/2006

## OTHER PUBLICATIONS

U.S. Appl. No. 29/237,232, Andre et al., Handheld Portable Computing Device, filed Aug. 24, 2005.

Apple iPod product sheet, Mac Mall.com (on line), (c) 2005-2005, (retrieved on Aug. 25, 2007) retrieved on internet <URL:http://www.Macmall.com, 2 pages.

Apple iPod U2 special edition (20GB) product sheet, Selector.com (on line) (c) 1998-2004 (retrieved on Aug. 25, 2007) retrieved on internet<URL:http://www.selectmore.com, 5 pages.

Apple iPod U2 special edition black, product sheet, Winbuyer.com (on line), retrieved on Aug. 25, 2007) retrieved on internet<URL:http://www.winbuyer.com, 4 pages.

Black iPod Player, product sheet, Satsig.ntblack-ipod.htm (c) 2007, retrieve on internet on Aug. 8, 2007, 1 page.

\* cited by examiner

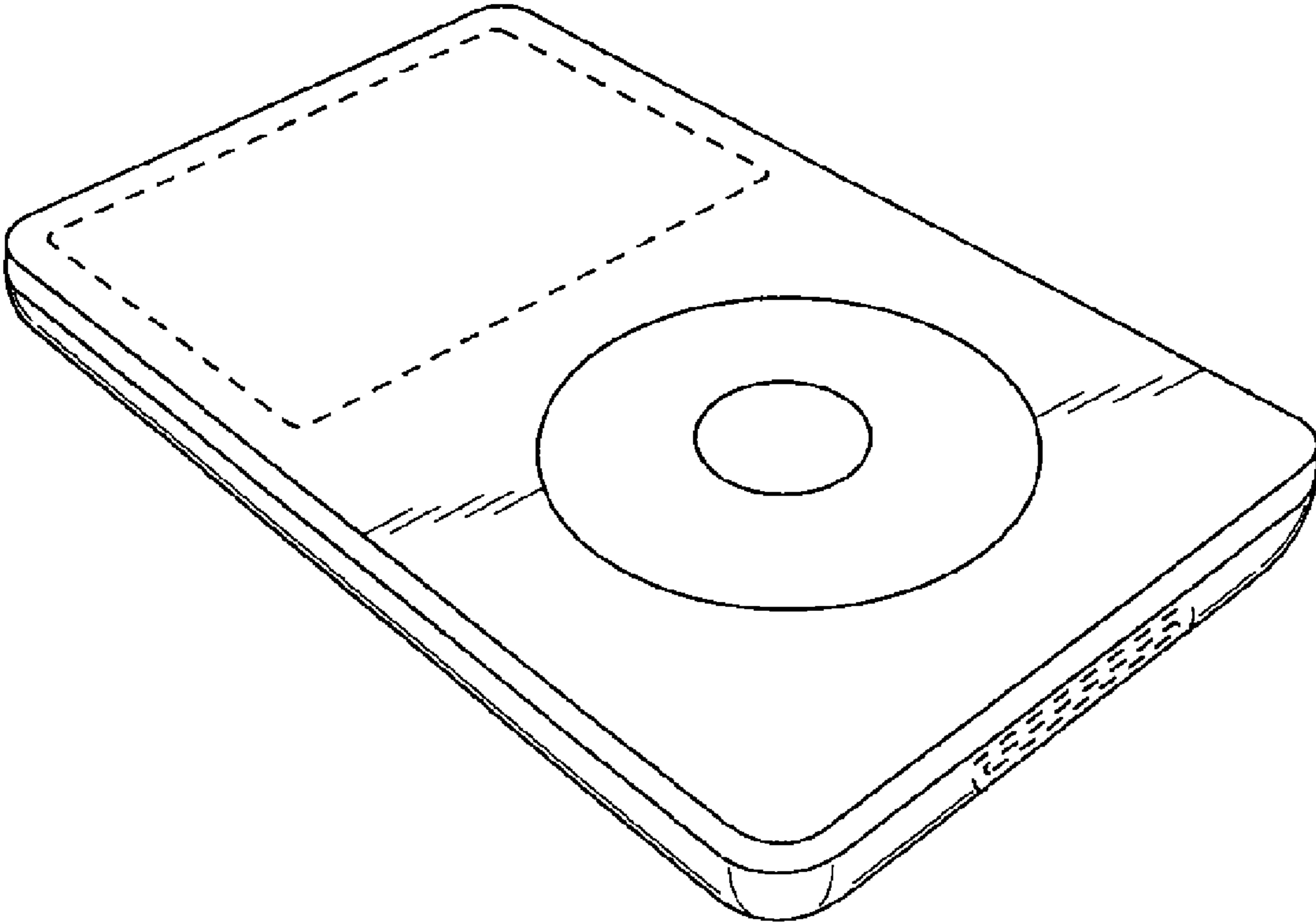


FIG. 1

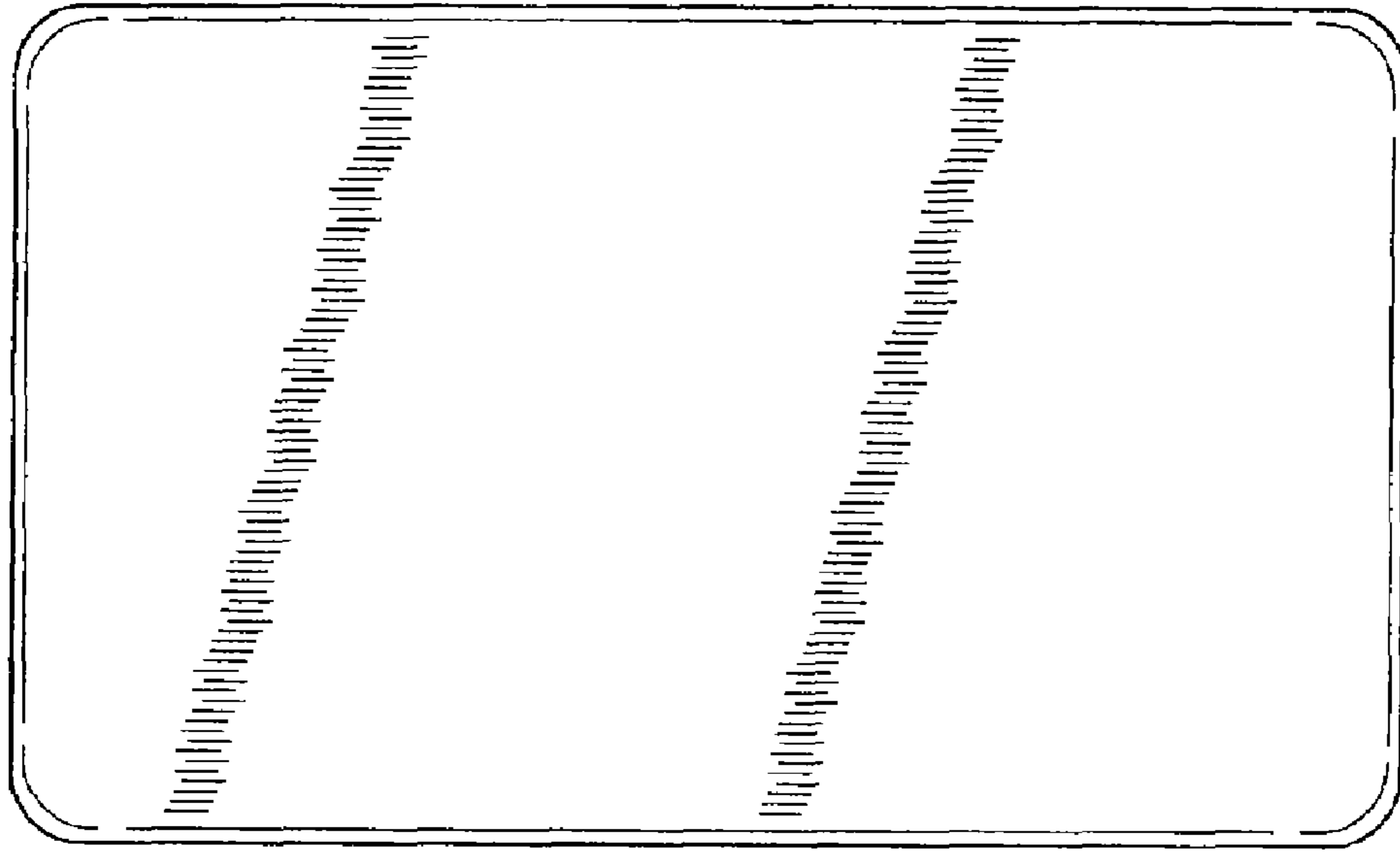


FIG. 2

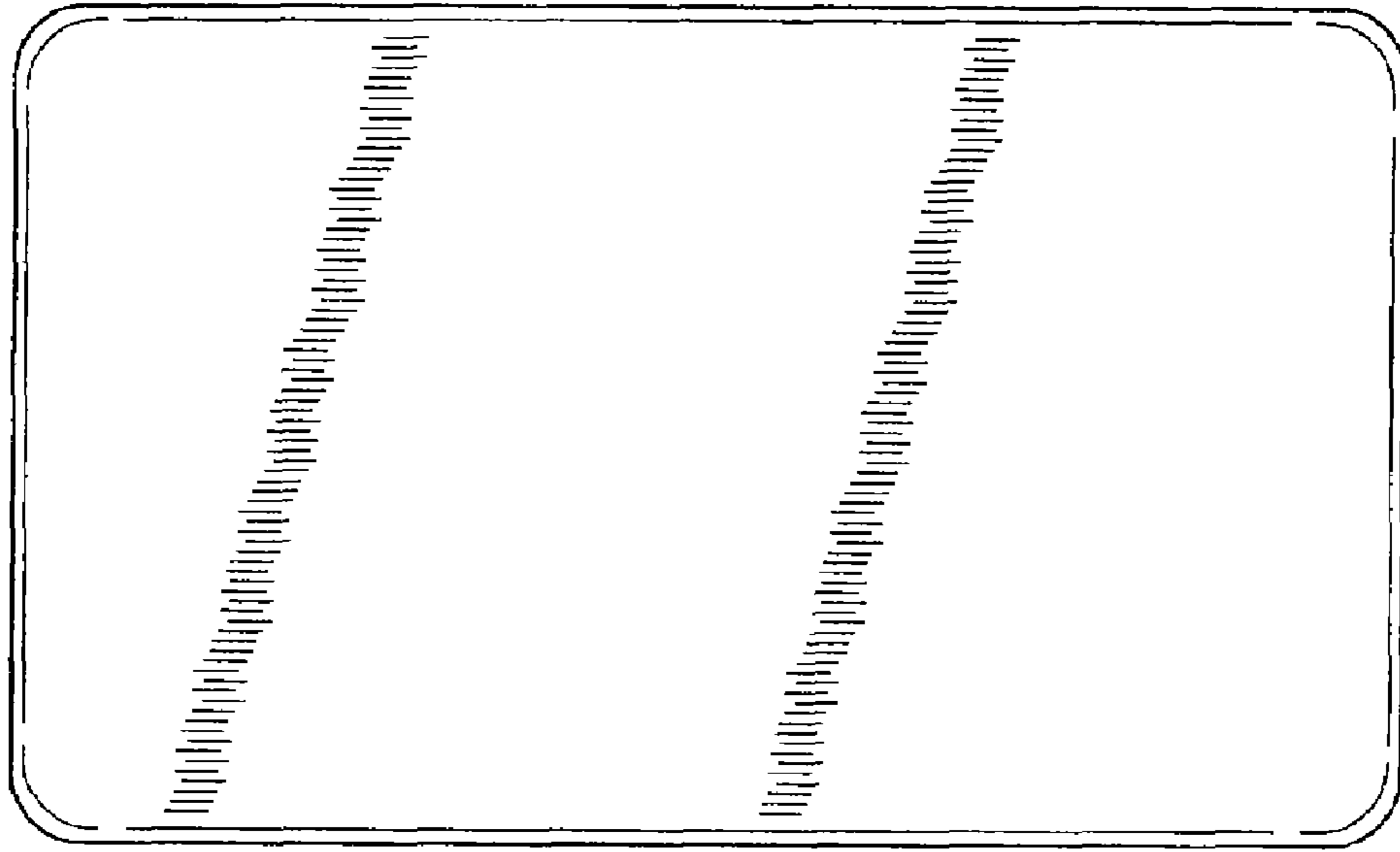


FIG. 3

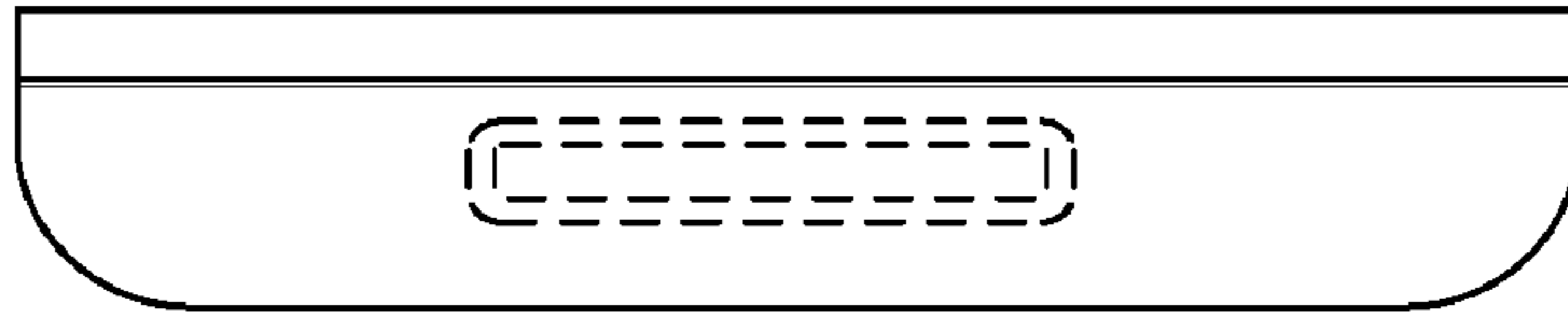


FIG. 4

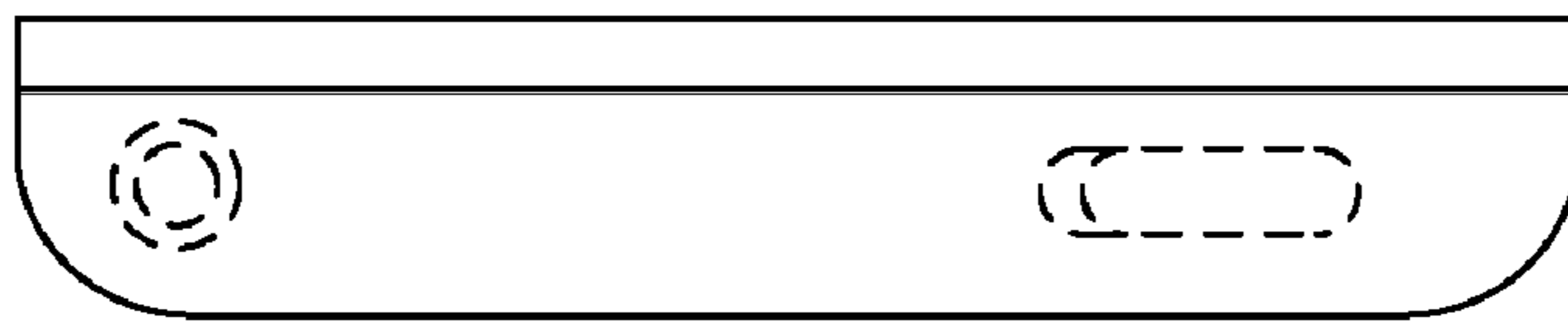


FIG. 5

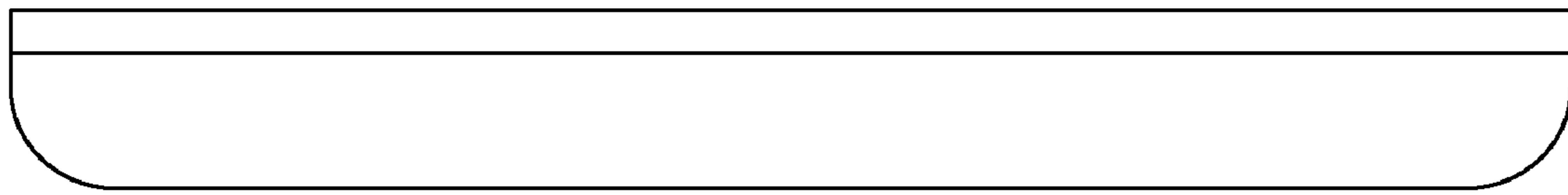


FIG. 6

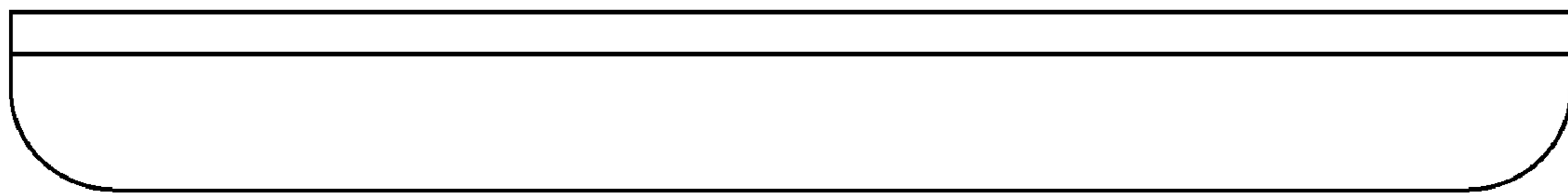


FIG. 7