

US00D562332S

(12) **United States Design Patent** (10) **Patent No.:** **US D562,332 S**
Rak et al. (45) **Date of Patent:** **** Feb. 19, 2008**

(54) **OUTWARD KEYS FOR A HANDHELD DEVICE**

(75) Inventors: **Roman P. Rak**, Waterloo (CA); **Jason T. Griffin**, Kitchener (CA)

(73) Assignee: **Research In Motion Limited**, Waterloo, Ontario (CA)

(**) Term: **14 Years**

(21) Appl. No.: **29/279,207**

(22) Filed: **Apr. 23, 2007**

(51) **LOC (8) Cl.** **14-02**

(52) **U.S. Cl.** **D14/455**

(58) **Field of Classification Search** D14/454, D14/455, 456, 439, 432, 390, 391, 392, 393, D14/394, 395, 396, 397, 398, 399, 400, 401, D14/406, 429, 137, 138, 140, 150, 151, 217, D14/218, 247, 248, 346; D21/324, 326, D21/327, 328, 329, 330, 331, 332, 333; D18/7, D18/12.2, 52; 178/17 A, 17 C; 345/168, 345/169; 400/489, 492; 455/186.2, 556.2; D13/168

See application file for complete search history.

(56) **References Cited**

U.S. PATENT DOCUMENTS

D389,157 S * 1/1998 Williams et al. D14/247
D470,150 S * 2/2003 Lewis et al. D14/455
D488,155 S * 4/2004 Wilson D14/346

D519,502 S * 4/2006 Hawkins et al. D14/346
D527,001 S * 8/2006 Pletikosa et al. D14/346
D532,415 S * 11/2006 Chen et al. D14/247
D537,082 S * 2/2007 Griffin D14/455
D550,679 S * 9/2007 Griffin et al. D14/455
D553,136 S * 10/2007 Rak et al. D14/455
2006/0187210 A1 * 8/2006 Griffin et al. 345/168

* cited by examiner

Primary Examiner—Cathron Brooks

Assistant Examiner—Angela J Lee

(74) *Attorney, Agent, or Firm*—Novak Druce + Quigg, LLP

(57) **CLAIM**

The ornamental design for outward keys for a handheld device, as shown and described.

DESCRIPTION

FIG. 1 is a front perspective view of outward keys for a handheld device;

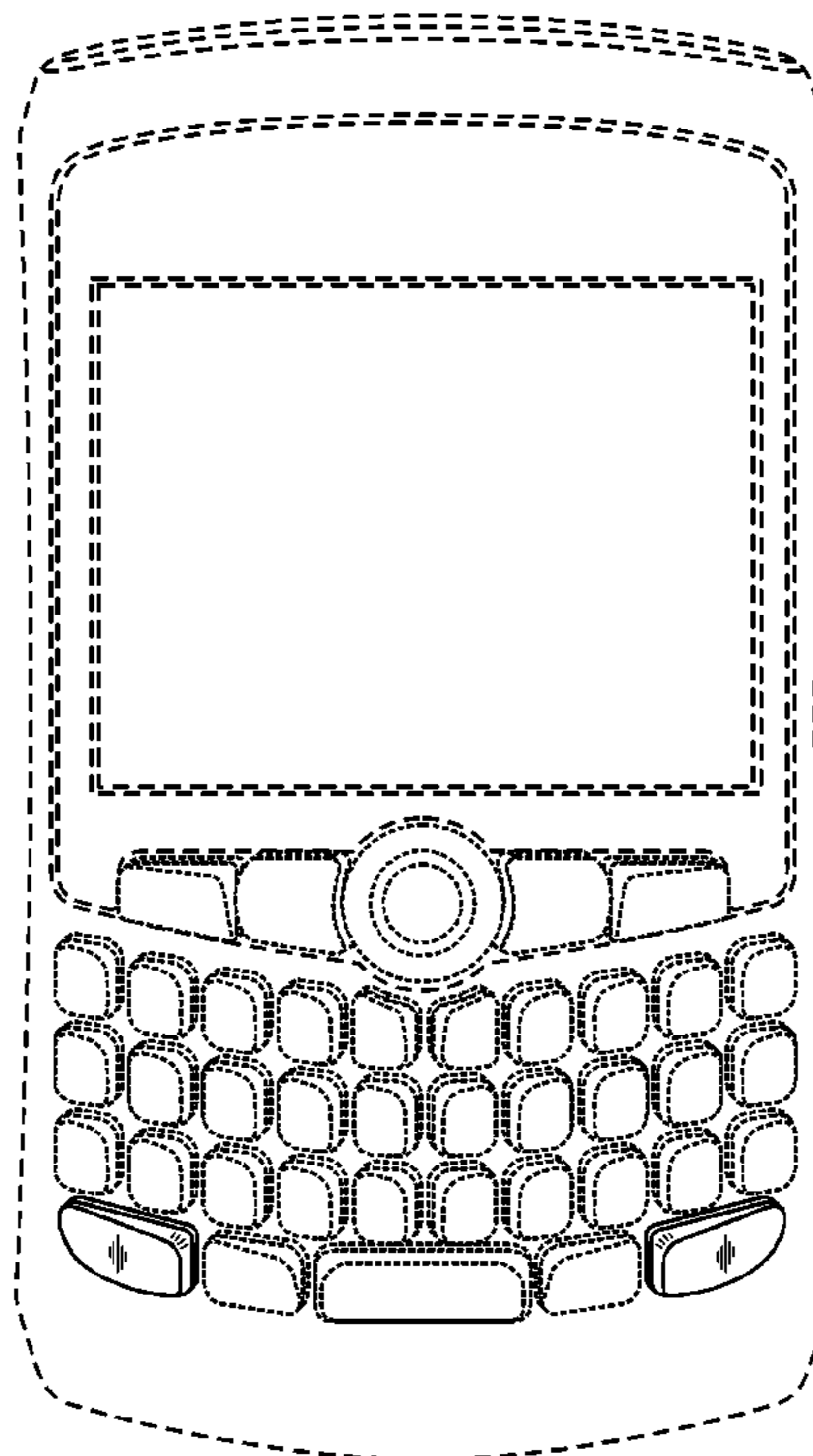
FIG. 2 is a front elevational view thereof;

FIG. 3 is a bottom view of the handheld device showing a bottom profile view of the outward keys; and,

FIG. 4 is a left elevational view of the handheld device showing the left side of the outward keys.

The broken line showing of a handheld device is included for the purpose of illustrating environmental structure and forms no part of the claimed design.

1 Claim, 4 Drawing Sheets



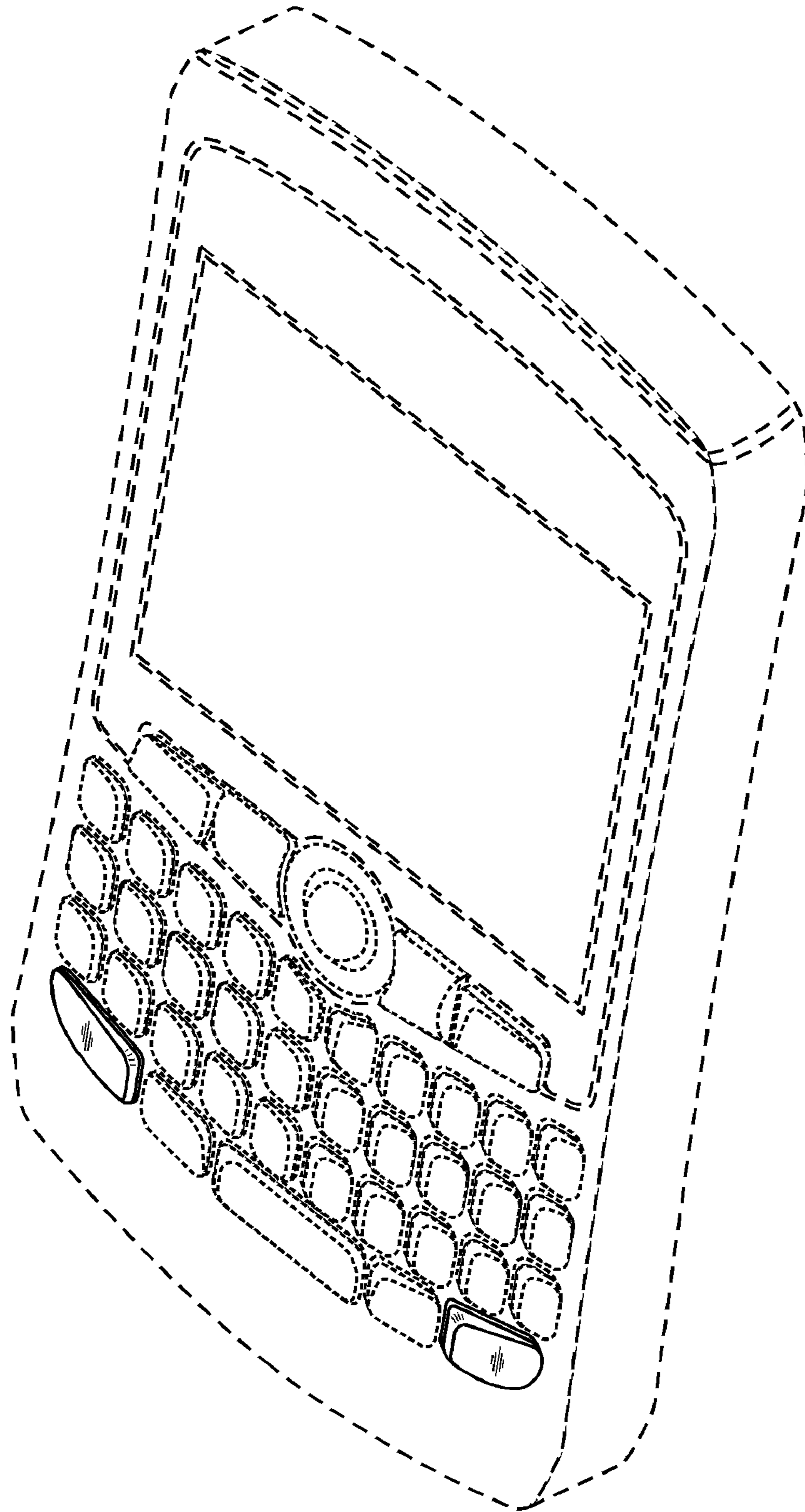


FIG. 1

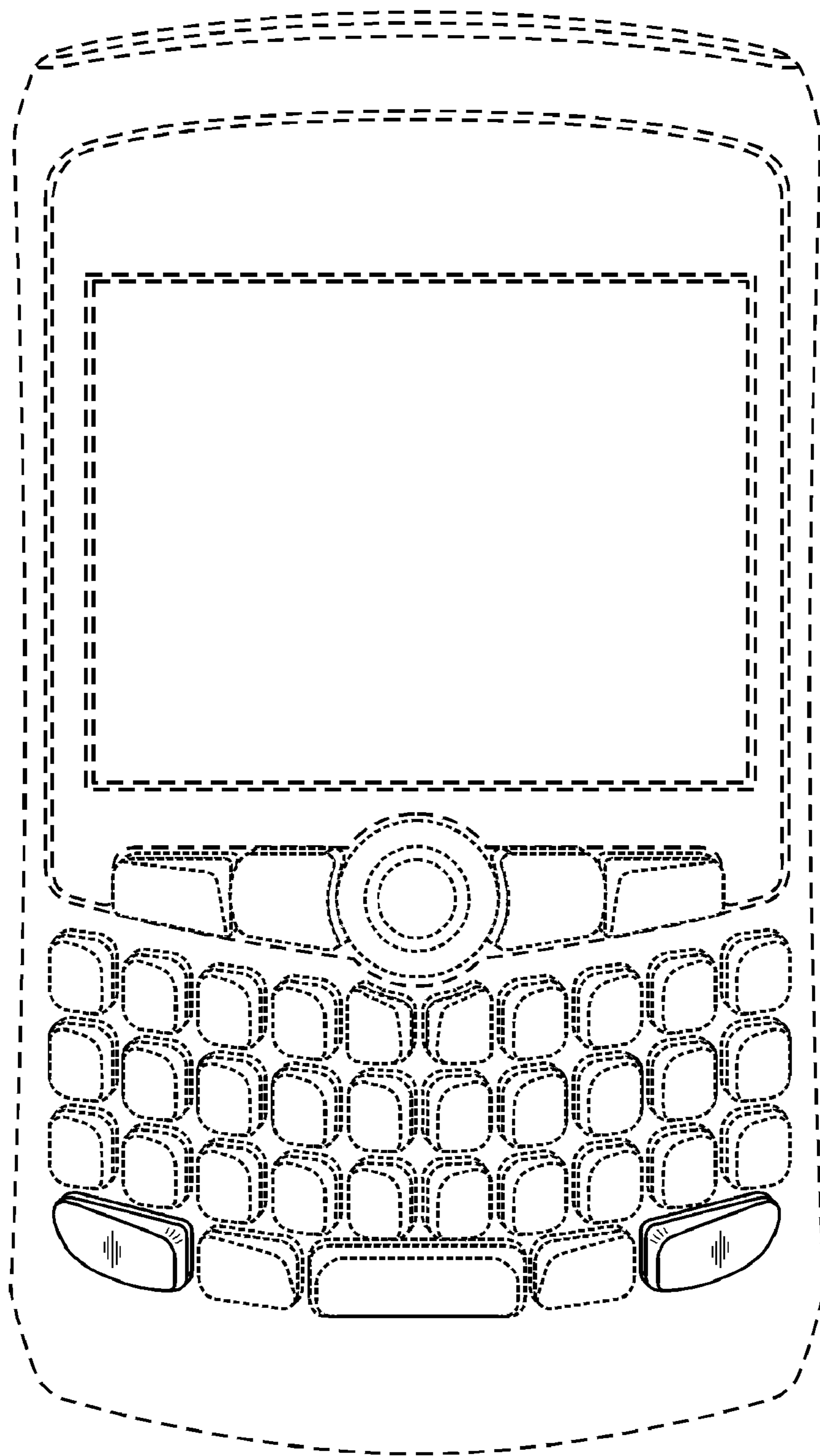


FIG. 2

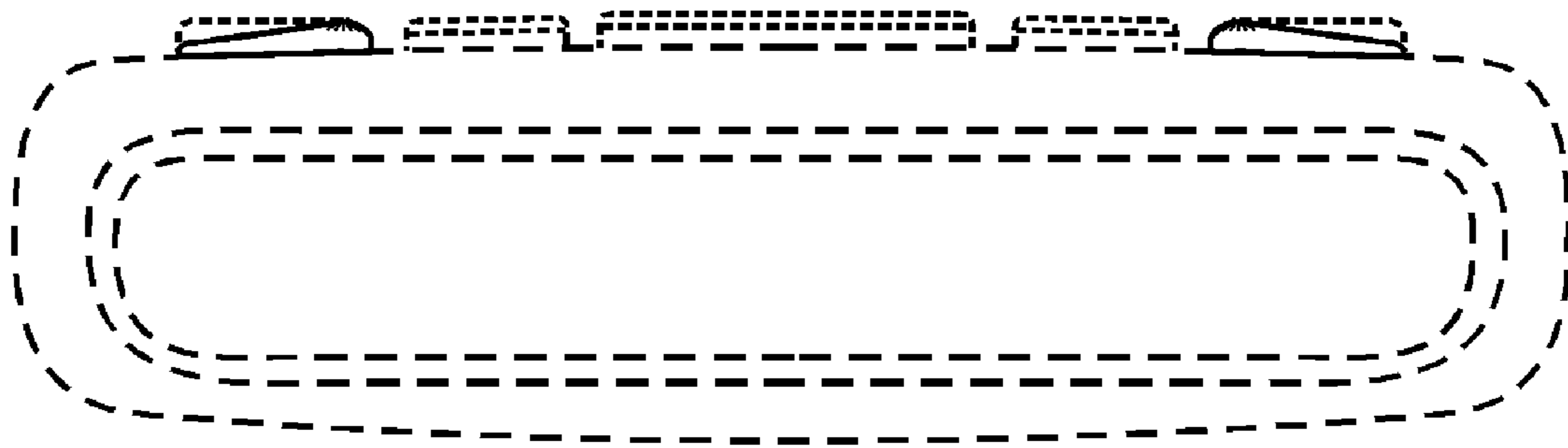


FIG. 3

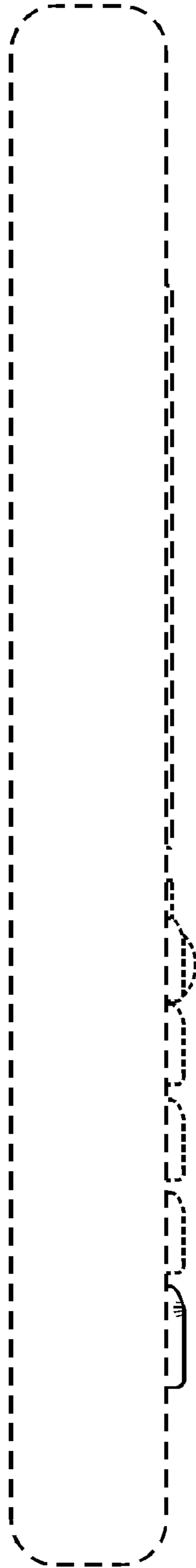


FIG. 4