



US00D562329S

(12) **United States Design Patent**
Flanegan et al.

(10) **Patent No.:** **US D562,329 S**

(45) **Date of Patent:** **** Feb. 19, 2008**

(54) **ACOUSTIC RACK DOOR FOR A
COMPUTER SERVER SYSTEM**

D502,948 S * 3/2005 Lin D14/444
D505,426 S * 5/2005 Lin D14/441

(75) Inventors: **Marilyn Flanegan**, Dripping Springs,
TX (US); **Tristan A. Merino**, Austin,
TX (US)

* cited by examiner

Primary Examiner—Freda S Nunn

(74) *Attorney, Agent, or Firm*—James R. Nock

(73) Assignee: **International Business Machines
Corporation**, Armonk, NY (US)

(57) **CLAIM**

(**) Term: **14 Years**

The ornamental design of an acoustic rack door for a
computer server system, as shown and described.

(21) Appl. No.: **29/253,064**

(22) Filed: **Feb. 1, 2006**

DESCRIPTION

(51) **LOC (8) Cl.** **14-02**

FIG. 1 is a front, right perspective view of the acoustic rack
door;

(52) **U.S. Cl.** **D14/446**

FIG. 2 is a front, left perspective view of the acoustic rack
door;

(58) **Field of Classification Search** D14/441-446,
D14/308; D13/162, 184, 199; 312/223.2,
312/326; 361/680-686, 690-696, 727; 369/14,
369/34.01, 36.01

FIG. 3 is a front view of the acoustic rack door;

FIG. 4 is a top view of the acoustic rack door;

FIG. 5 is a right side view of the acoustic rack door; and,

FIG. 6 is a left side view of the acoustic rack door.

See application file for complete search history.

The bottom view of the acoustic rack door is identical to
FIG. 4.

(56) **References Cited**

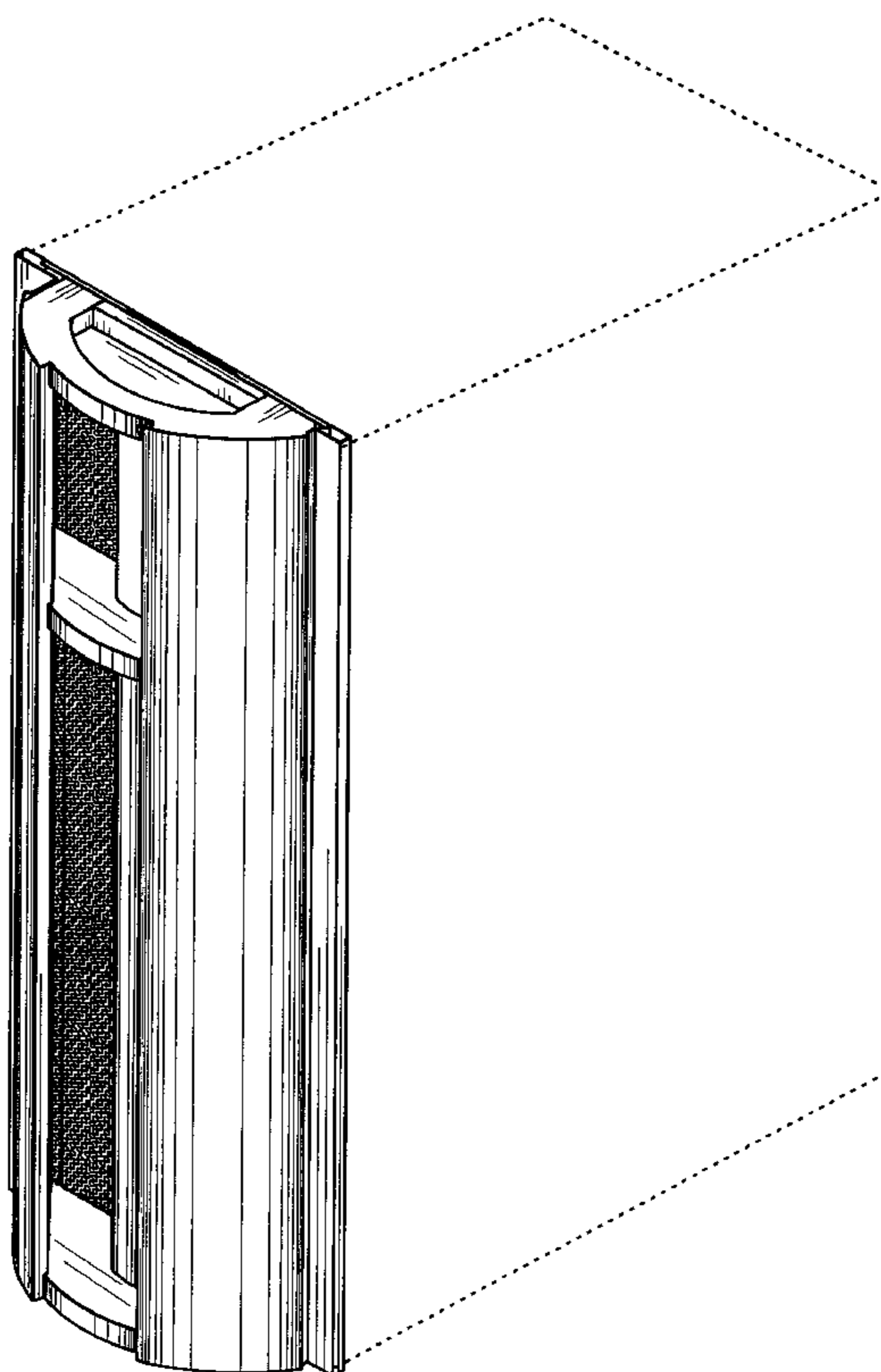
U.S. PATENT DOCUMENTS

6,478,392	B2 *	11/2002	Gan et al.	312/326
D474,186	S *	5/2003	Frank et al.	D14/444
D476,992	S *	7/2003	Chien et al.	D14/444
6,603,655	B2 *	8/2003	Hrehor et al.	361/683
D485,277	S *	1/2004	Huang	D14/444
6,798,664	B2 *	9/2004	Lin et al.	361/727

The back view of the acoustic rack door is unornamented.

The broken lines are shown in the views for illustrative
purposes only and form no part of the claimed design.

1 Claim, 6 Drawing Sheets



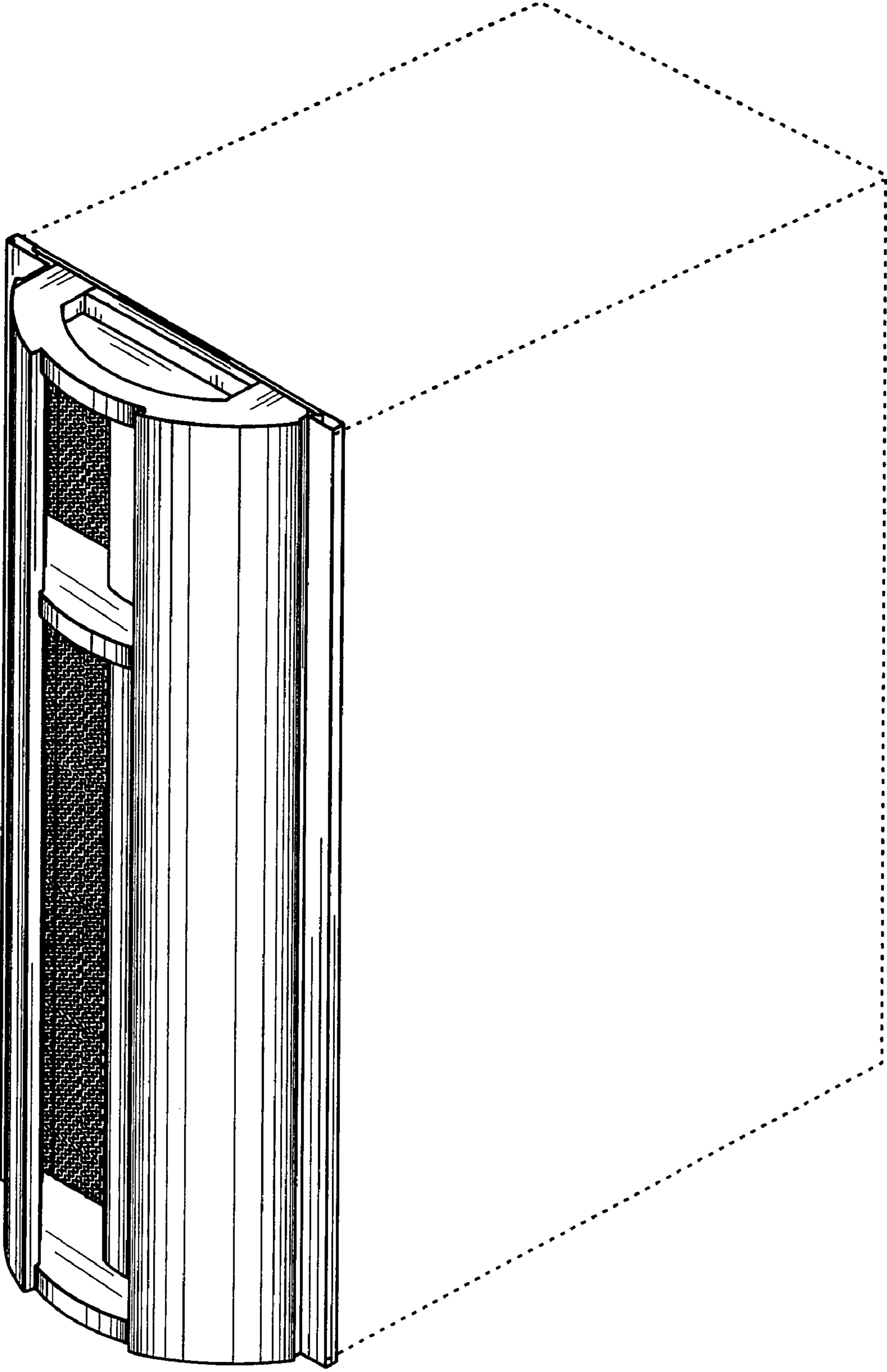


Fig. 1

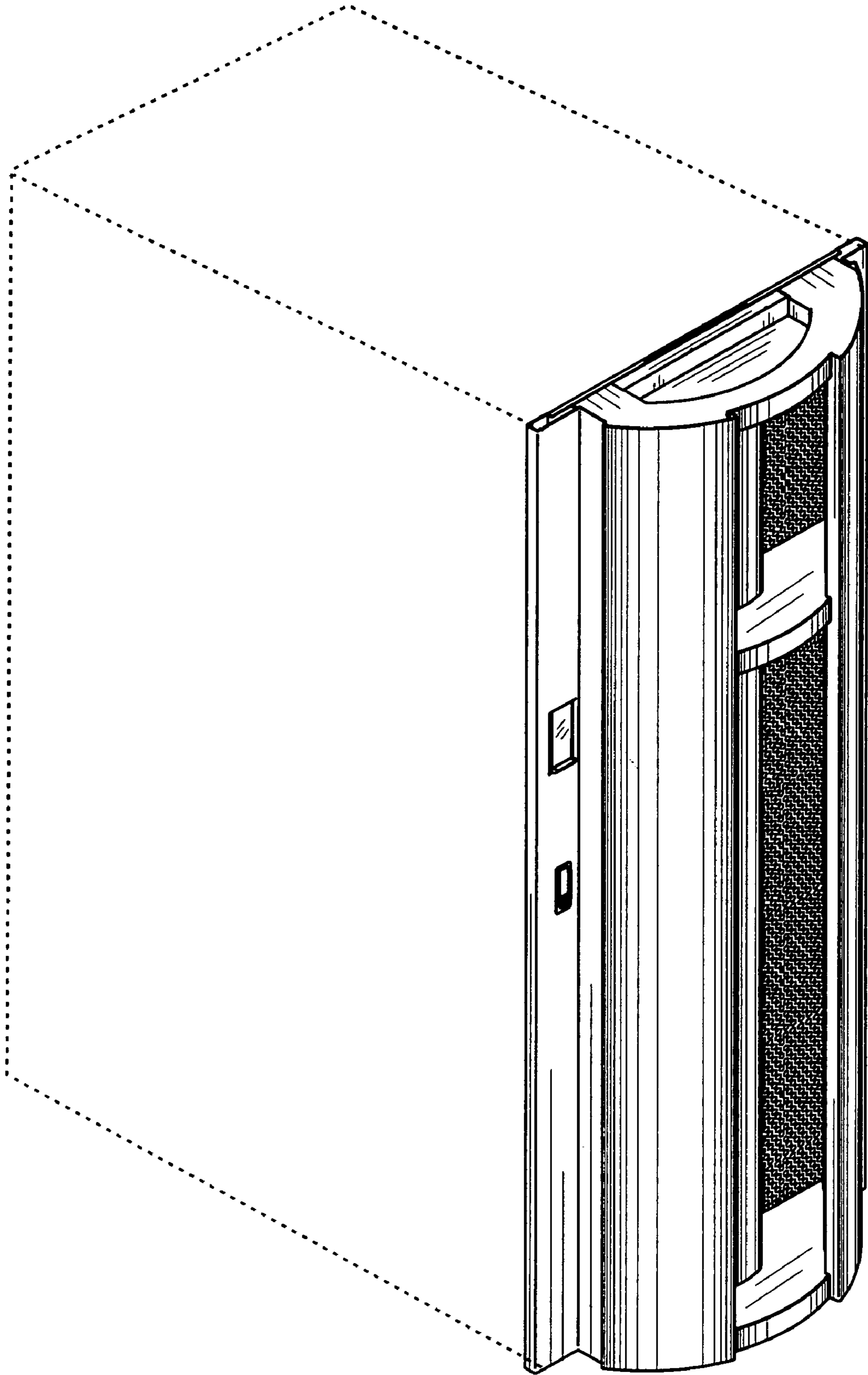


Fig.2

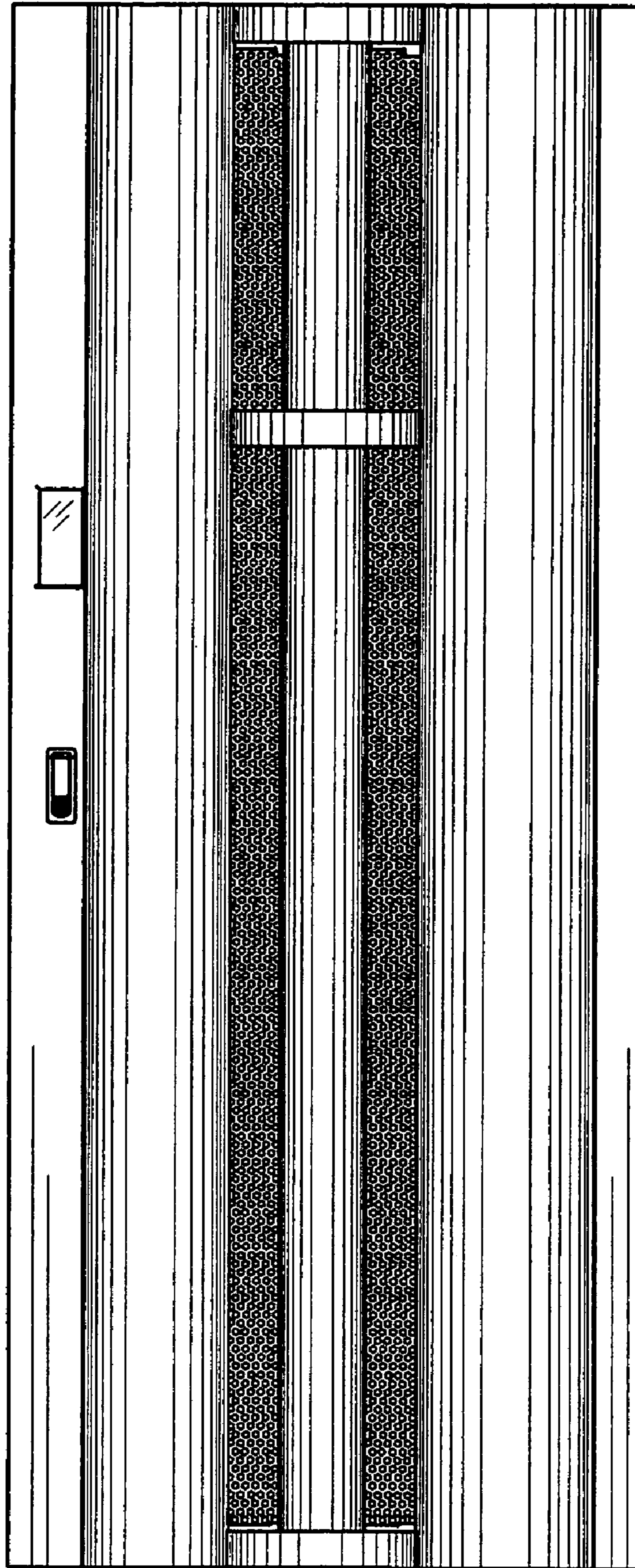


Fig. 3

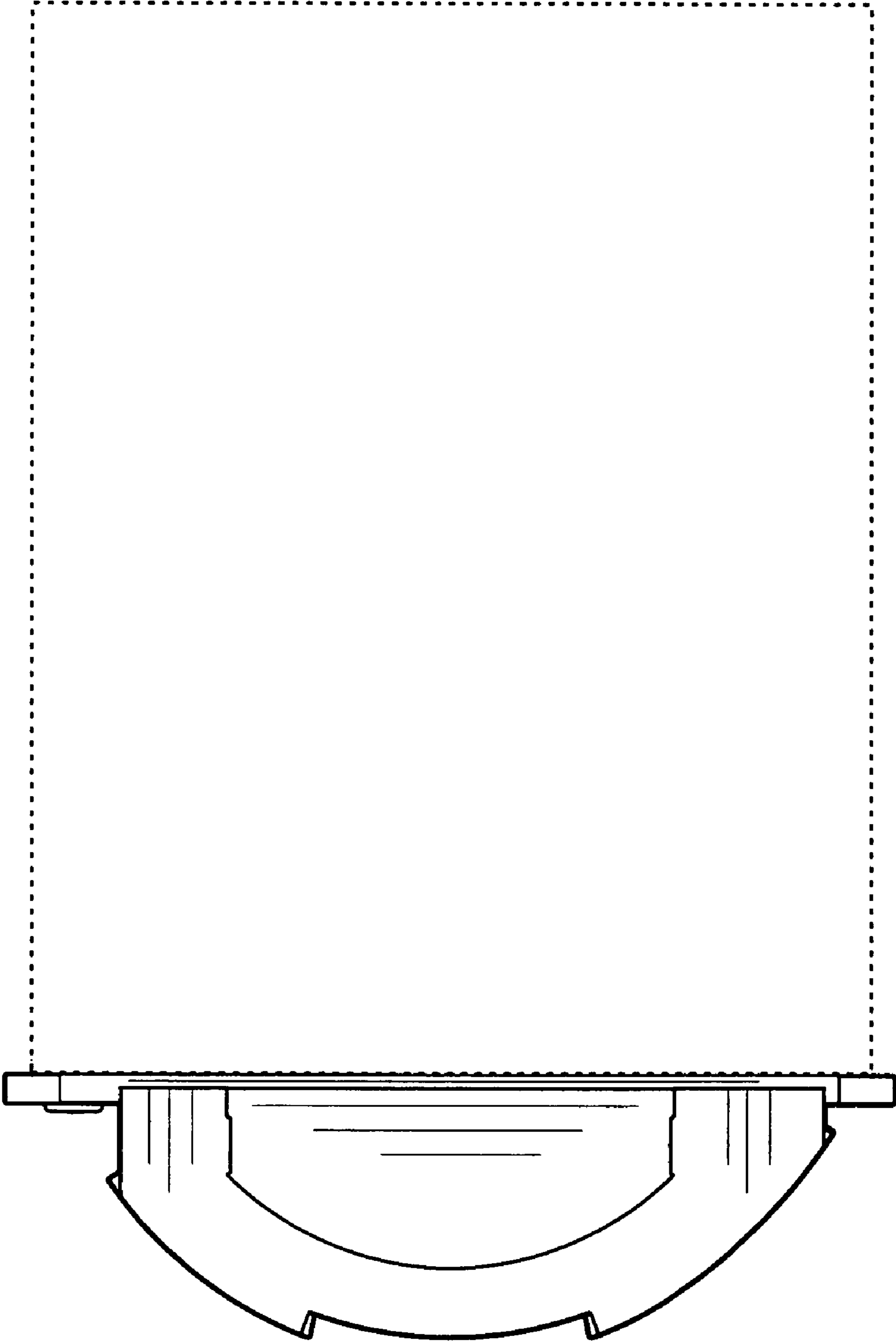


Fig. 4

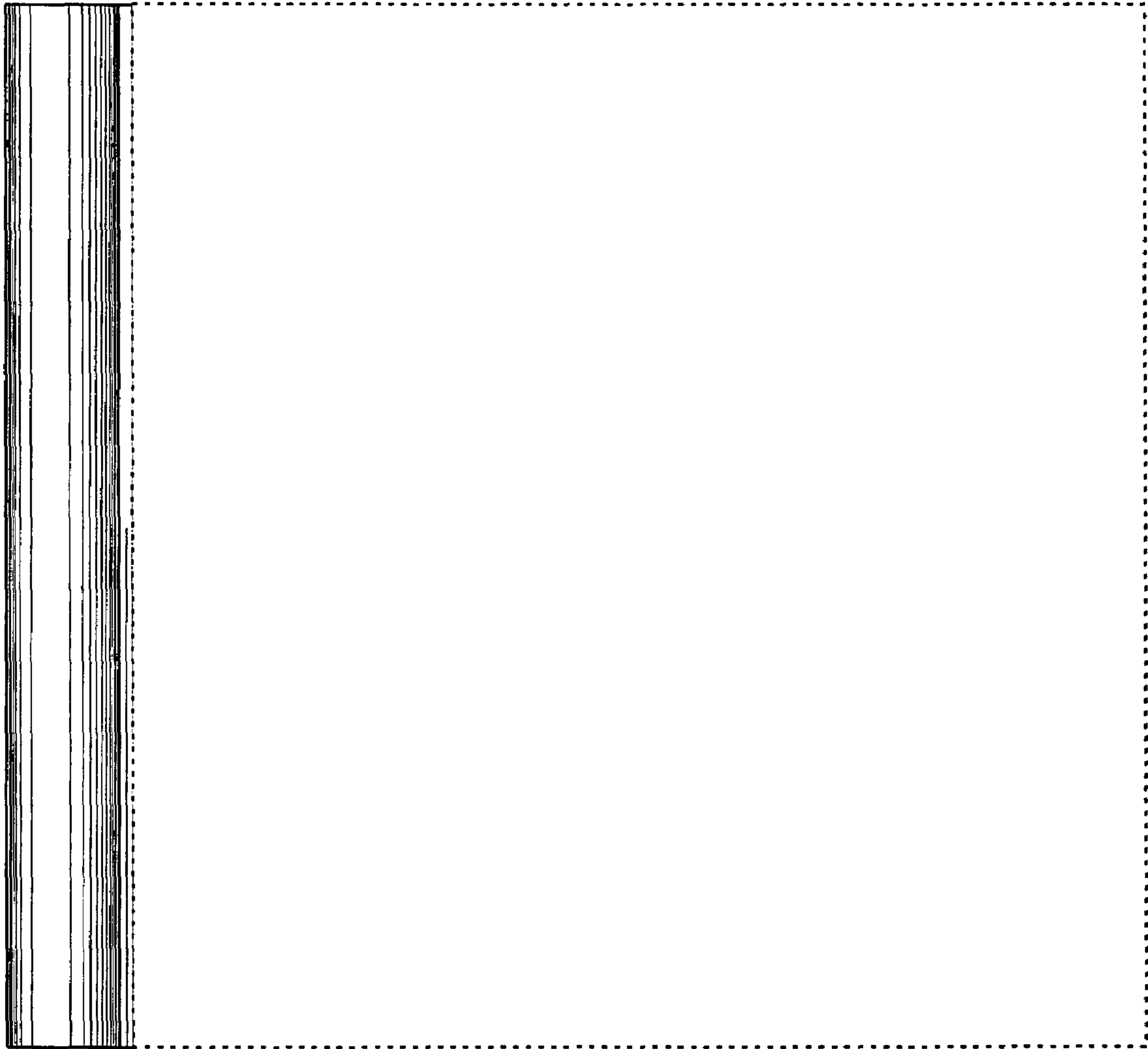


Fig. 5

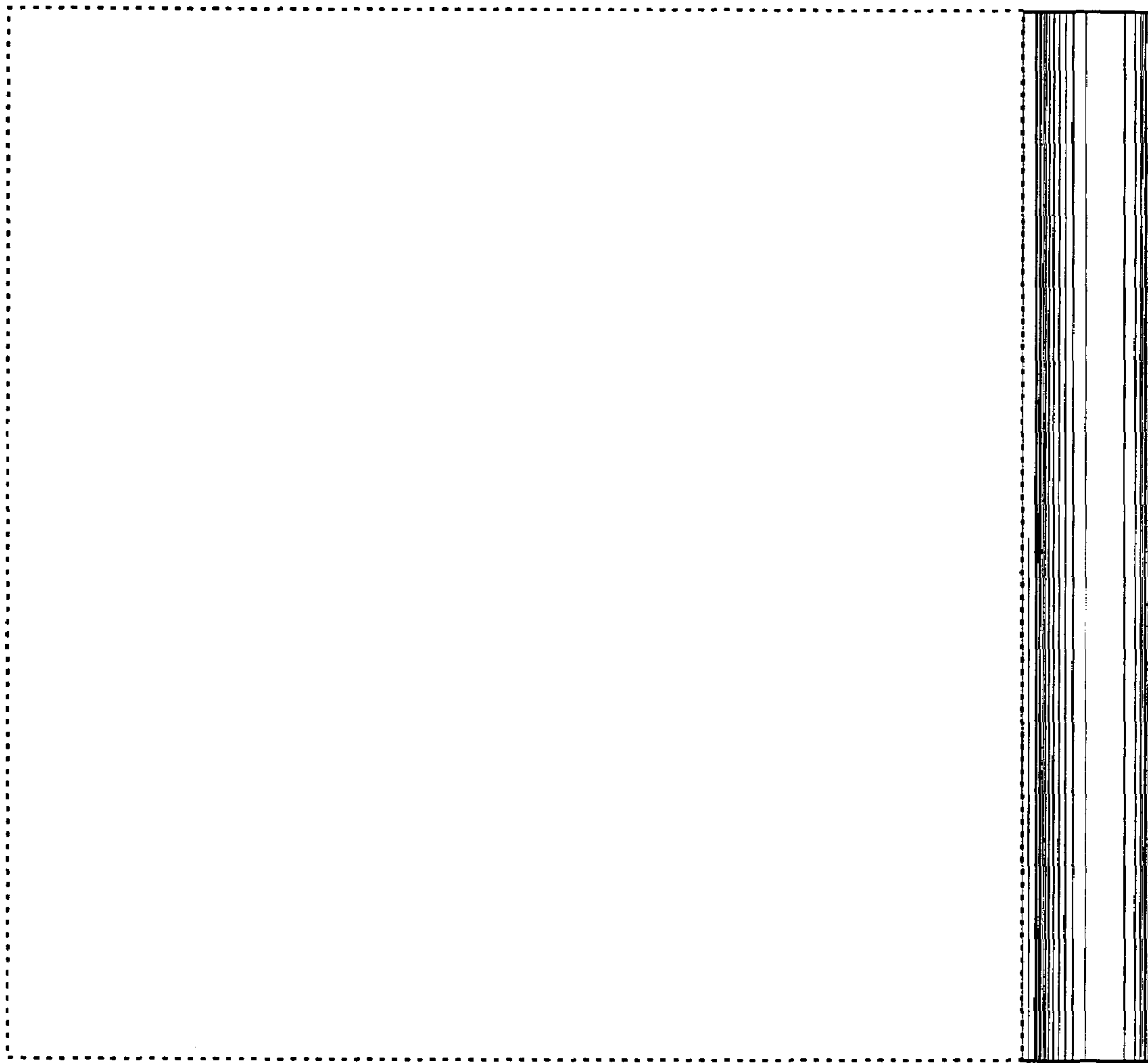


Fig. 6