



US00D562321S

(12) **United States Design Patent**
Jawerth et al.

(10) **Patent No.:** **US D562,321 S**

(45) **Date of Patent:** **** Feb. 19, 2008**

(54) **FOLDING KEYBOARD**

(76) Inventors: **Bjorn Jawerth**, 1228 Langstonshire La., Morrisville, NC (US) 27560; **Viraj Mehta**, 533 Ridge Brook Trail, Duluth, GA (US) 30096

(**) Term: **14 Years**

(21) Appl. No.: **29/253,479**

(22) Filed: **Feb. 7, 2006**

Related U.S. Application Data

(63) Continuation-in-part of application No. 29/244,530, filed on Dec. 8, 2005, and a continuation-in-part of application No. 11/286,117, filed on Nov. 23, 2005, which is a continuation-in-part of application No. 11/204,940, filed on Aug. 15, 2005.

(51) **LOC (8) Cl.** **14-02**

(52) **U.S. Cl.** **D14/391**

(58) **Field of Classification Search** D14/391-399, D14/315, 316, 320, 318, 341-345; D18/1, D18/2, 7, 11; 178/17 A, 17 C; 345/102, 345/104, 156, 168; 341/22, 23; 361/680-686; 400/486, 489; D3/294

See application file for complete search history.

(56) **References Cited**

U.S. PATENT DOCUMENTS

D220,233	S	*	3/1971	Schurman	D3/294
D330,547	S	*	10/1992	Howe et al.	D14/399
5,457,453	A	*	10/1995	Chiu et al.	341/22
5,712,760	A	*	1/1998	Coulon et al.	361/680
D390,541	S	*	2/1998	Chiba	D14/345
D394,045	S	*	5/1998	Iino	D14/320
5,995,025	A	*	11/1999	Sternglass et al.	341/22
D417,657	S	*	12/1999	Matsumoto	D14/343
D428,011	S	*	7/2000	Howe et al.	D14/399
6,144,358	A	*	11/2000	Narayanaswamy et al.	..	345/102
D448,032	S	*	9/2001	Talley	D14/396

D457,525	S	*	5/2002	Olodort et al.	D14/396
D470,493	S	*	2/2003	Tritschler et al.	D14/393
D470,841	S	*	2/2003	Feierbach	D14/345
D486,488	S	*	2/2004	Olodort et al.	D14/396
6,798,649	B1	*	9/2004	Olodort et al.	361/683
D499,725	S	*	12/2004	Lee	D14/316
2004/0228076	A1	*	11/2004	Clapper	361/681

* cited by examiner

Primary Examiner—Freda S Nunn

(74) *Attorney, Agent, or Firm*—Morgan, Lewis and Bockius LLP

(57) **CLAIM**

The ornamental design for a folding keyboard and display unit, as shown and described.

DESCRIPTION

FIG. 1 is a perspective view of a folding keyboard in a folded state showing our new design.

FIG. 2 is a top plan view of the design shown in FIG. 1.

FIG. 3 is a right-side elevation view of the design shown in FIG. 1.

FIG. 4 is a perspective view of the design shown in FIG. 1 in a partially unfolded state.

FIG. 5 is a perspective view of the design shown in FIG. 1 in an unfolded state.

FIG. 6 is a front elevation view of the keyboard shown in FIG. 5.

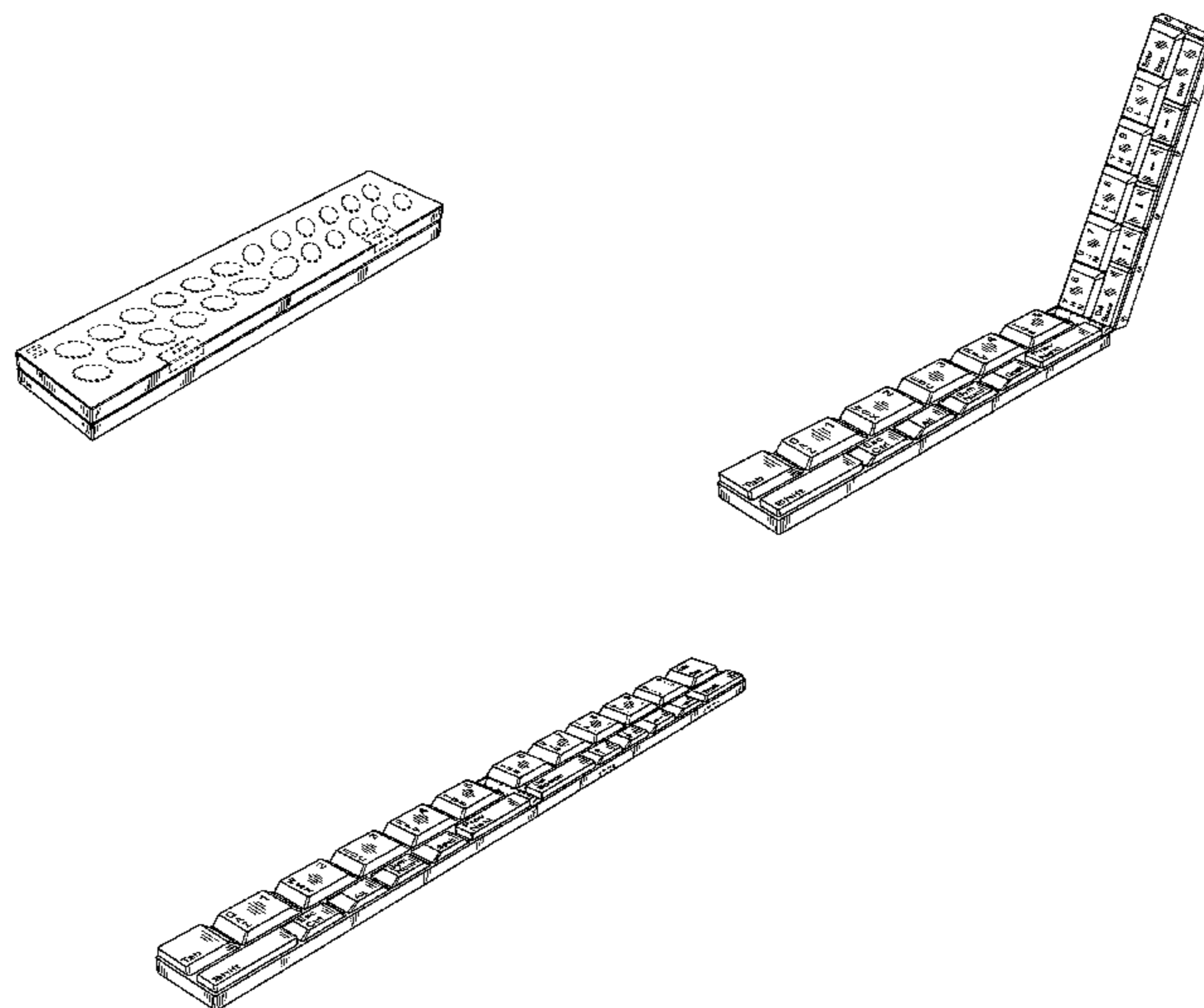
FIG. 7 is a rear elevation view of the keyboard shown in FIG. 5.

FIG. 8 is a right elevation view of the keyboard shown in FIG. 5.

FIG. 9 is a left elevation view of the keyboard shown in FIG. 5; and,

FIG. 10 is top plan view of the keyboard shown in FIG. 5.

1 Claim, 4 Drawing Sheets



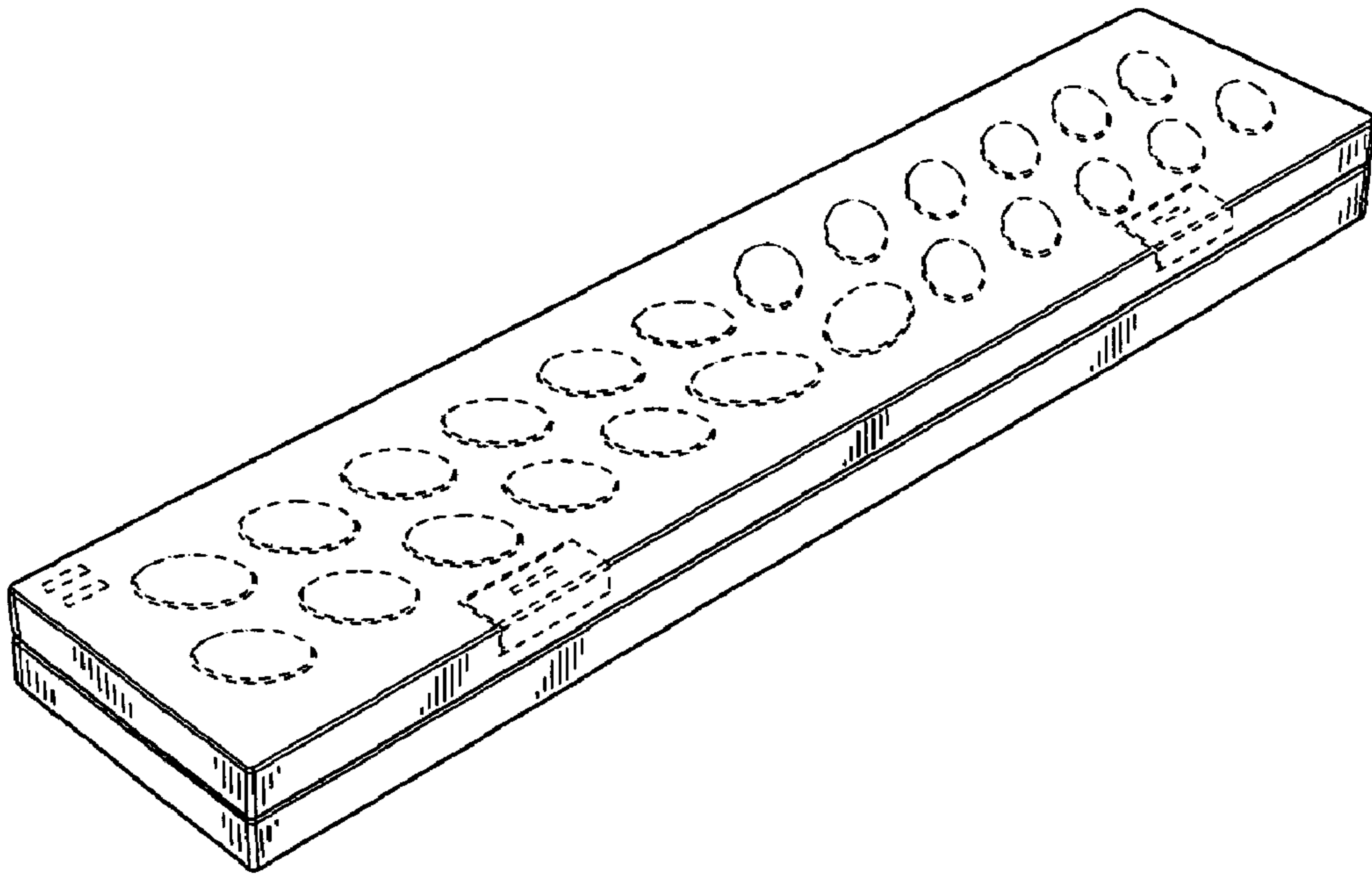


FIG. 1

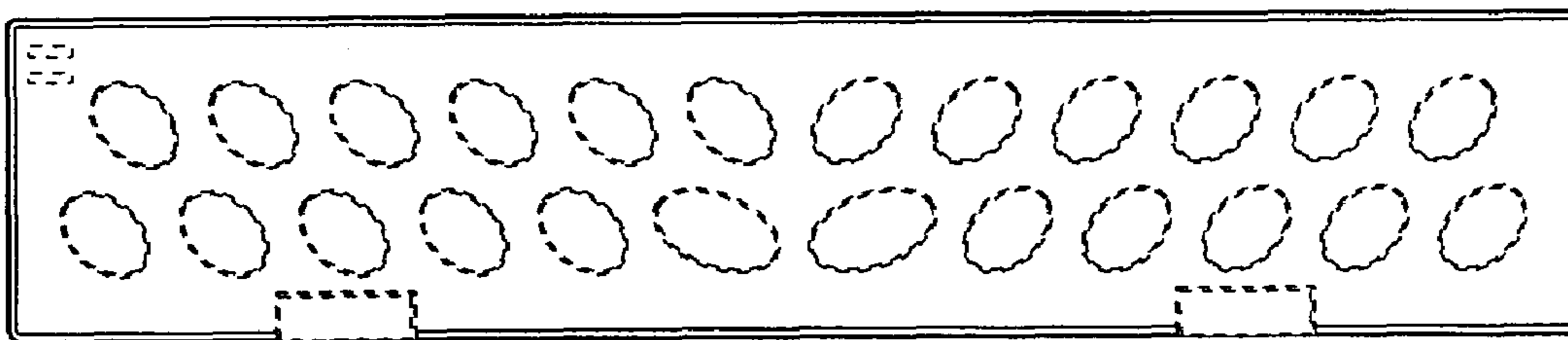


FIG. 2



FIG. 3

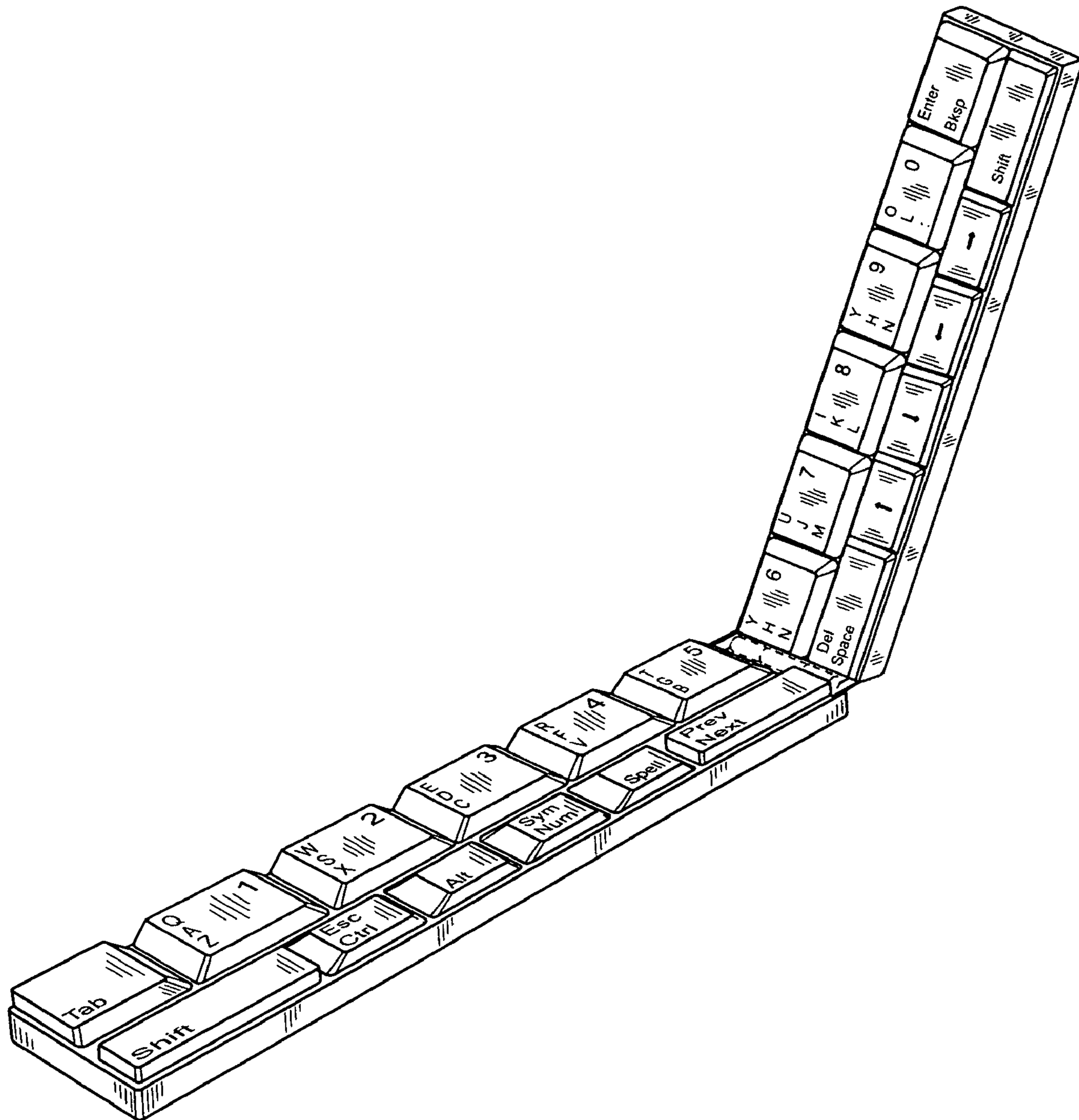


FIG. 4



FIG. 6



FIG. 7



FIG. 8



FIG. 9

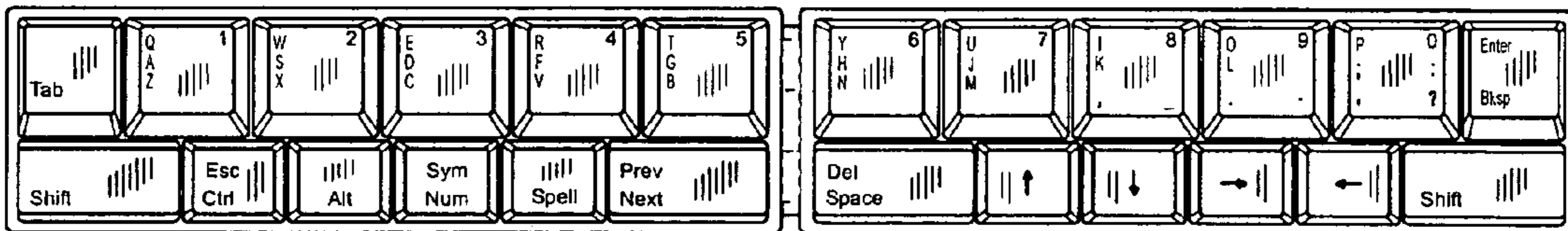


FIG. 10