

US00D562320S

(12) **United States Design Patent**
Kim

(10) **Patent No.:** **US D562,320 S**

(45) **Date of Patent:** **** Feb. 19, 2008**

(54) **PORTABLE DISPLAY**

(75) Inventor: **Jong Chul Kim**, Seoul (KR)

(73) Assignee: **LG Electronics Inc.**, Seoul (KR)

(**) Term: **14 Years**

(21) Appl. No.: **29/262,782**

(22) Filed: **Jul. 12, 2006**

(30) **Foreign Application Priority Data**

Jan. 13, 2006 (KR) 30-2006-0001526

(51) **LOC (8) Cl.** **14-02**

(52) **U.S. Cl.** **D14/375**

(58) **Field of Classification Search** D14/371-375,
D14/125-129, 339, 341-345; 341/12; 345/104,
345/156, 168, 173; 348/180, 184, 325, 739;
349/1, 2, 11, 62; 382/187; 361/680-686
See application file for complete search history.

(56) **References Cited**

U.S. PATENT DOCUMENTS

4,972,496	A *	11/1990	Sklarew	382/187
D406,114	S *	2/1999	Ham et al.	D14/341
D454,870	S *	3/2002	Lee et al.	D14/341
D494,967	S *	8/2004	Tomaka	D14/341
6,781,824	B2 *	8/2004	Krieger et al.	361/683

* cited by examiner

Primary Examiner—Freda S. Nunn

(74) *Attorney, Agent, or Firm*—Birch, Stewart, Kolasch & Birch, LLP

(57) **CLAIM**

The ornamental design for a portable display, as shown and described.

DESCRIPTION

FIG. 1 is a perspective view of a portable display showing my new design;

FIG. 2 is a front view thereof;

FIG. 3 is a rear view thereof;

FIG. 4 is a left side view thereof where the right side view is a mirror image;

FIG. 5 is a top plan view thereof;

FIG. 6 is a bottom plan view thereof;

FIG. 7 is a perspective view showing an example of the usage of the subject design; and,

FIG. 8 is a perspective view showing another example of the usage of the subject design.

The broken lines are shown for illustrative purposes only and form no part of the claimed design.

1 Claim, 7 Drawing Sheets

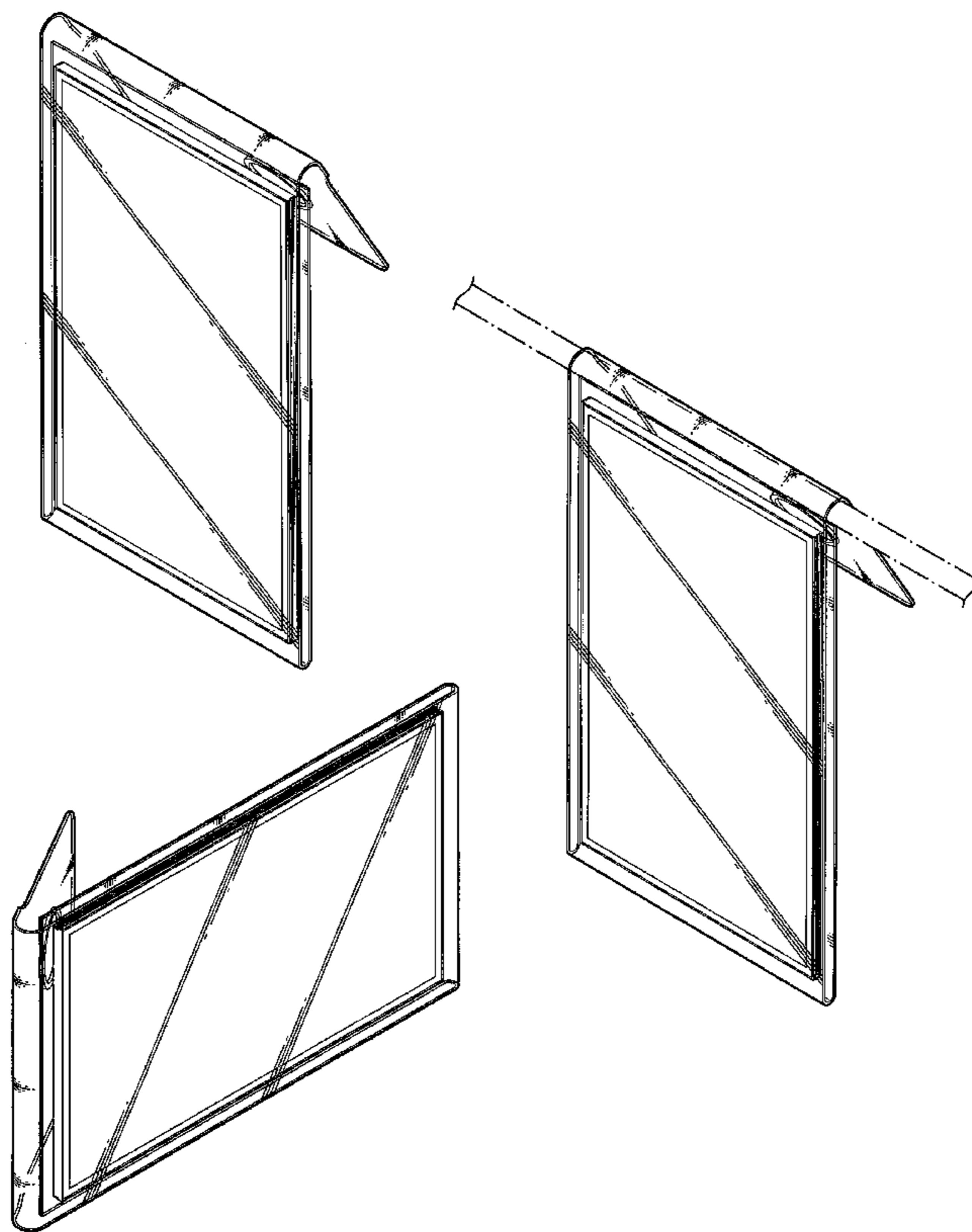


FIG. 1

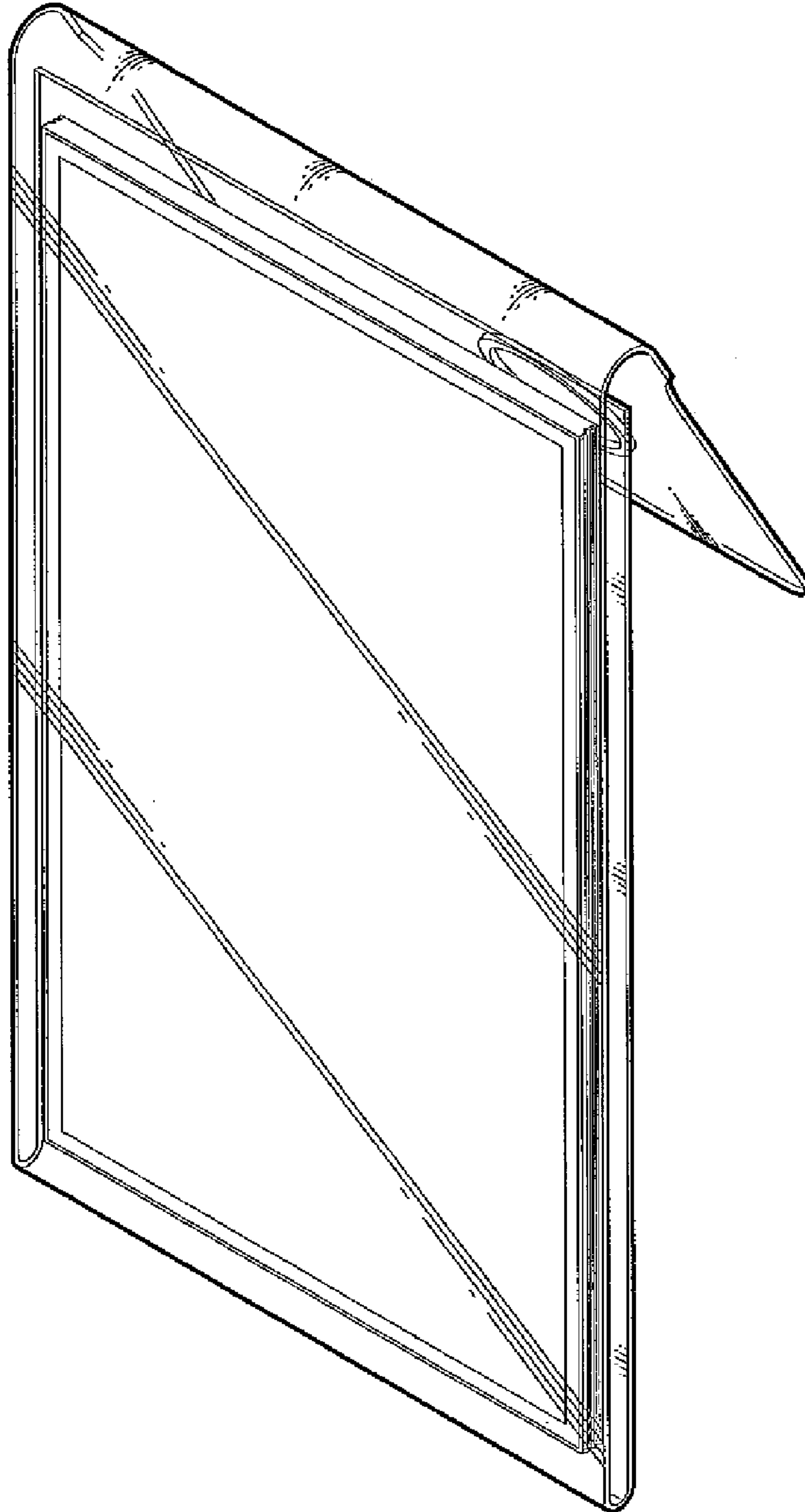


FIG. 2

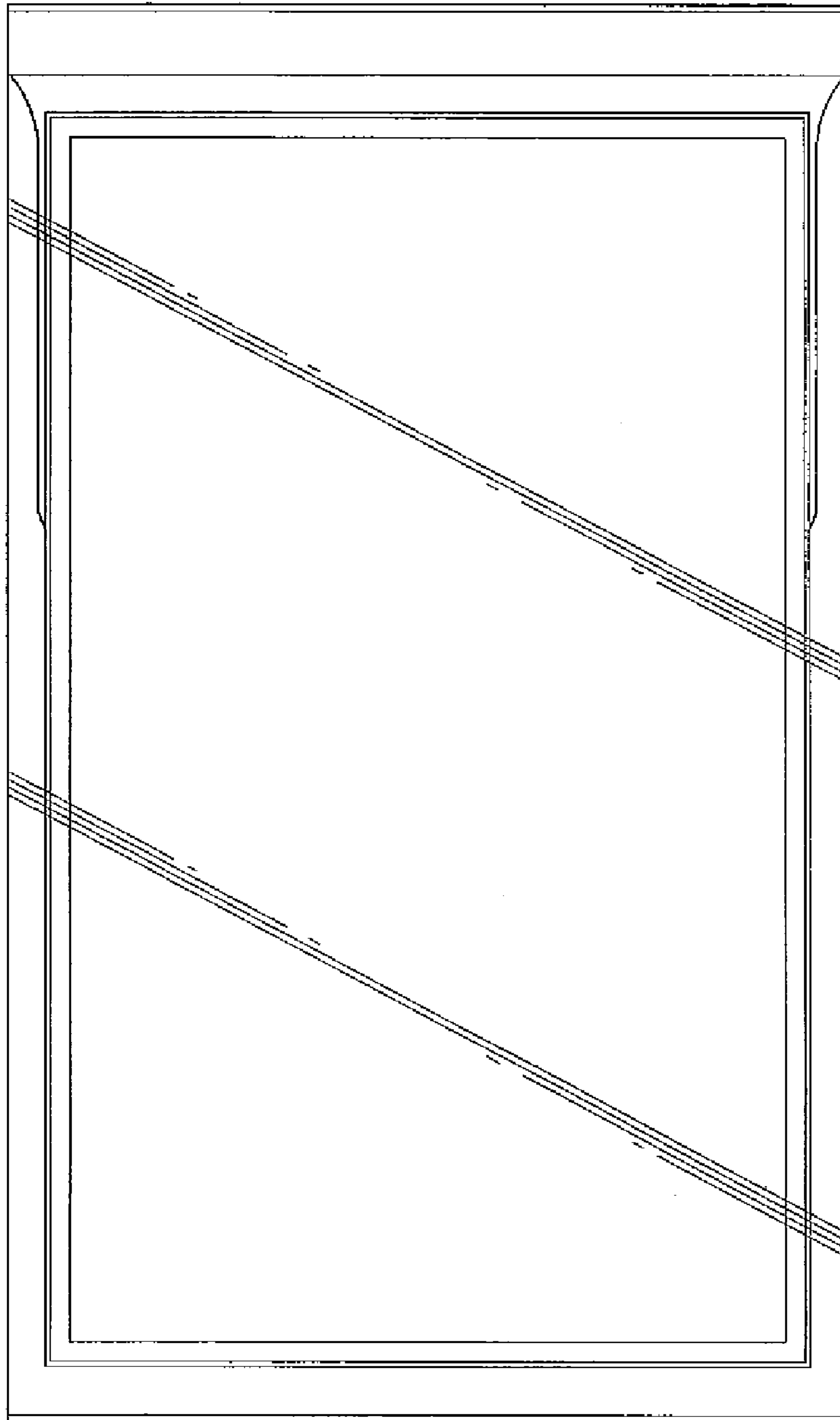


FIG. 3

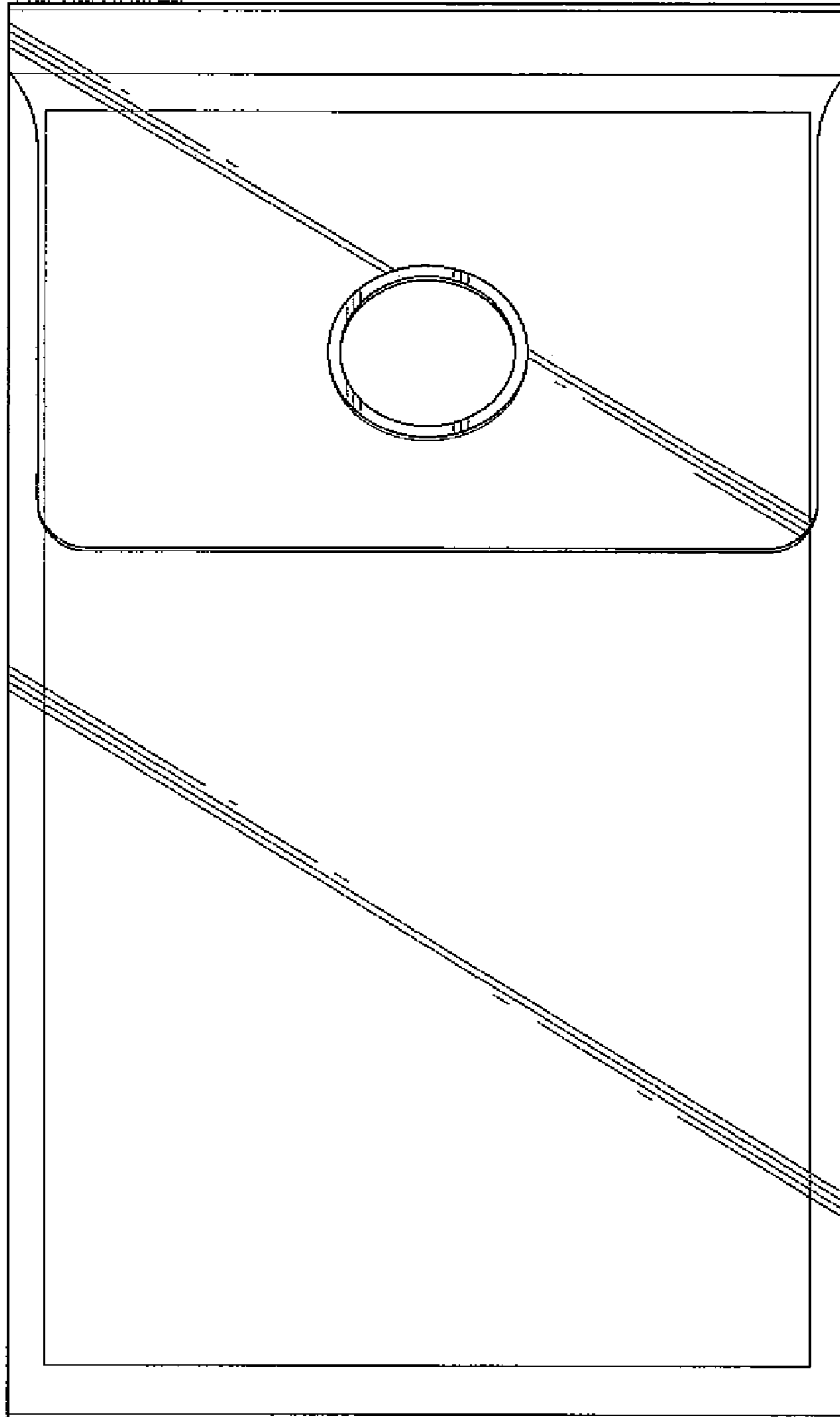


FIG. 4

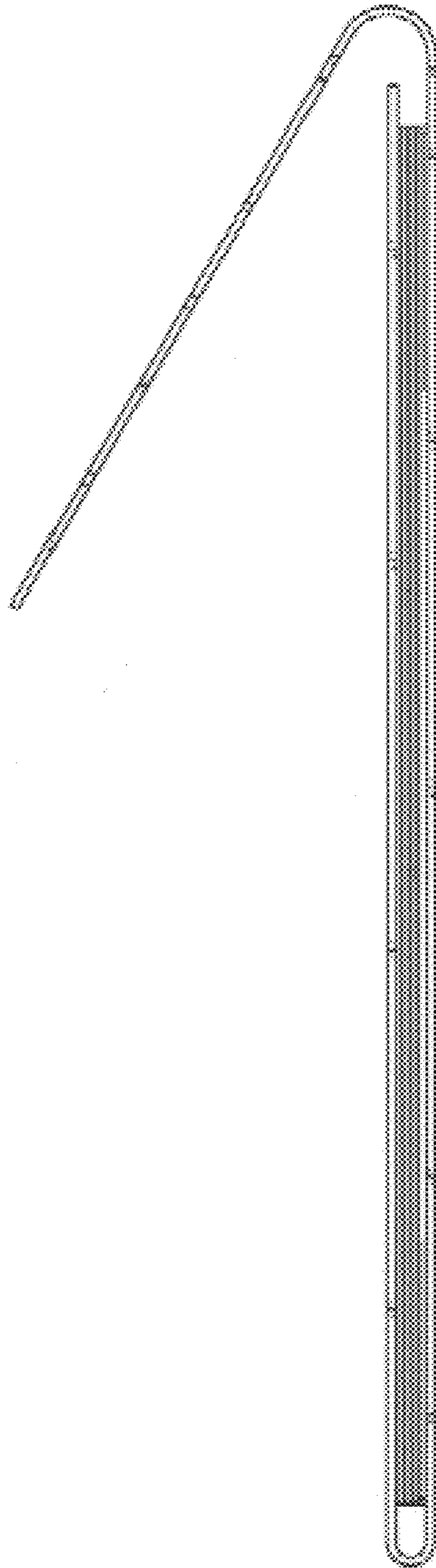


FIG. 5

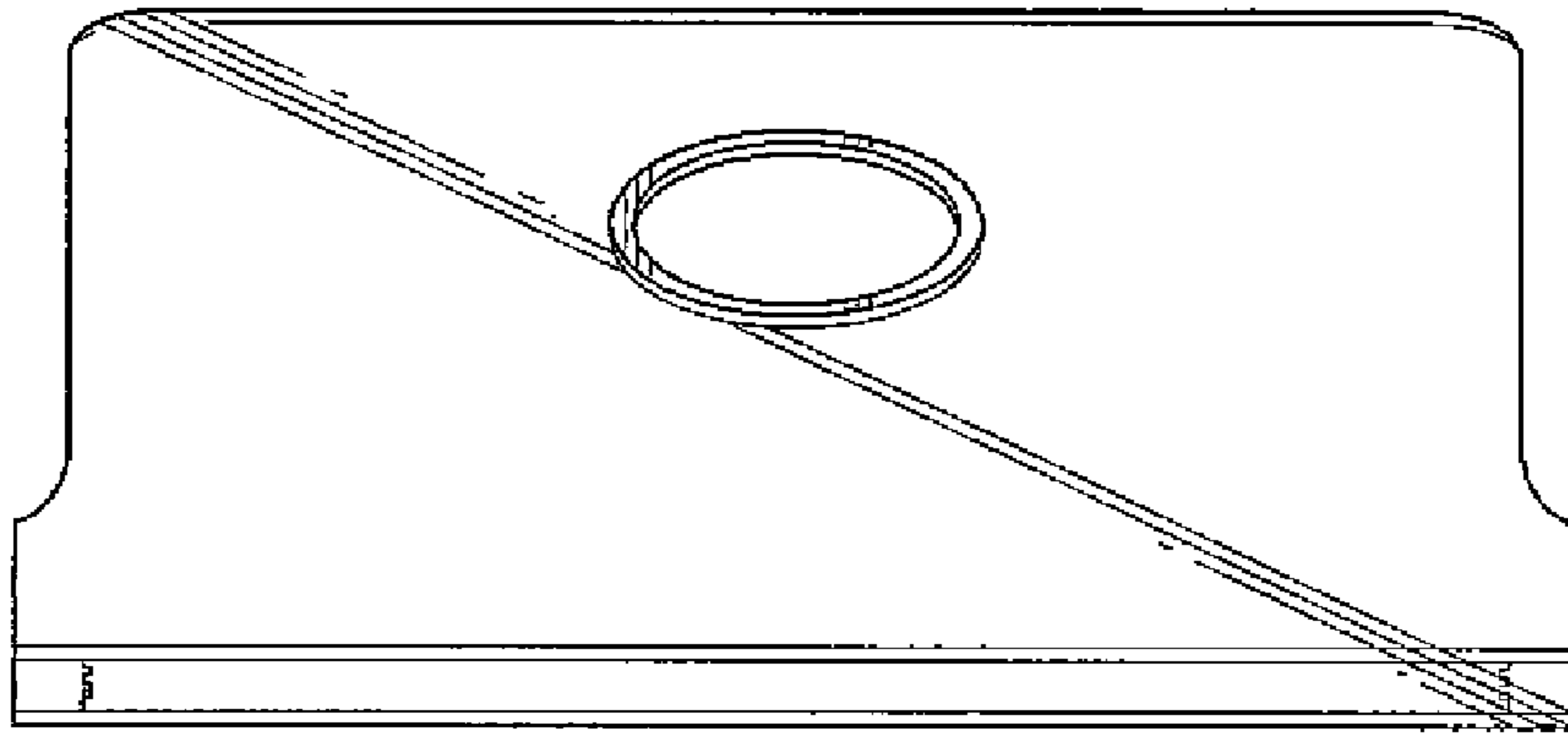


FIG. 6

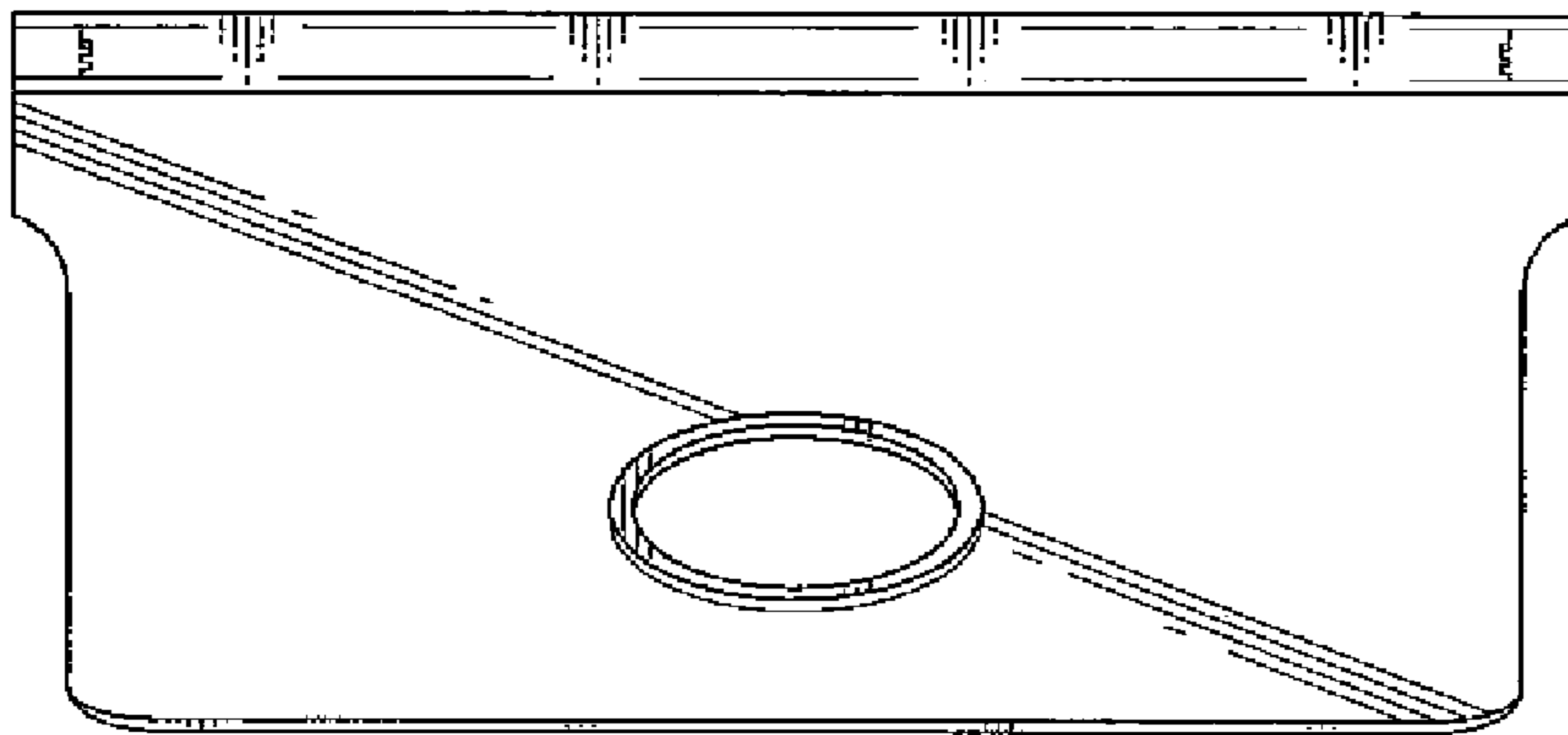


FIG. 7

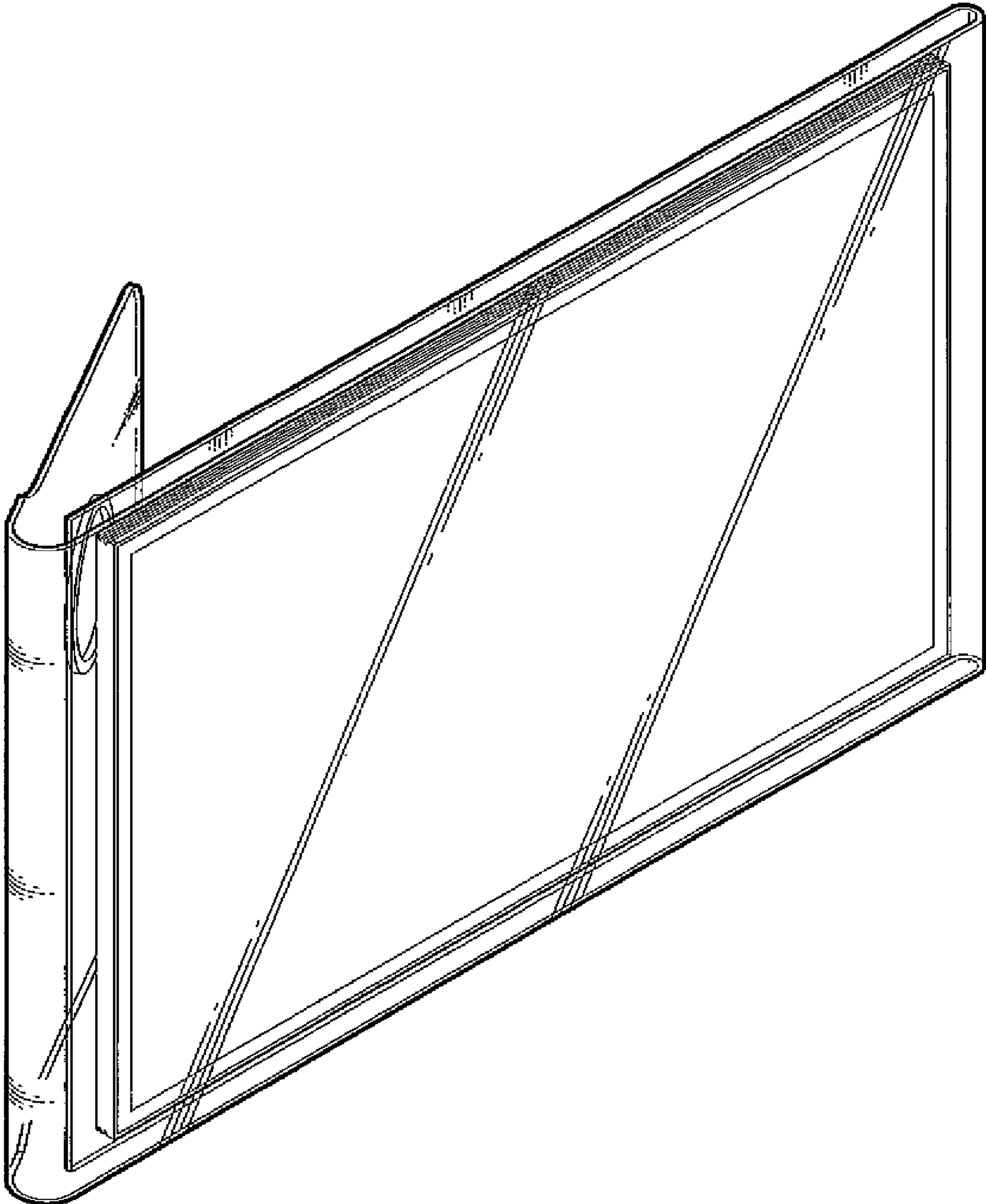


FIG. 8

