



US00D562319S

(12) **United States Design Patent**
Kwon

(10) **Patent No.:** **US D562,319 S**
(45) **Date of Patent:** **** Feb. 19, 2008**

(54) **PORTABLE DISPLAY**

(75) Inventor: **A Reum Kwon**, Seoul (KR)

(73) Assignee: **LG Electronics Inc.**, Seoul (KR)

(**) Term: **14 Years**

(21) Appl. No.: **29/262,781**

(22) Filed: **Jul. 12, 2006**

(30) **Foreign Application Priority Data**

Jan. 13, 2006 (KR) 30-2006-0001524

(51) **LOC (8) Cl.** **14-02**

(52) **U.S. Cl.** **D14/375**

(58) **Field of Classification Search** D14/371-375,
D14/125-129, 339, 341-345; 341/12; 345/104,
345/156, 168, 173; 348/180, 184, 325, 739;
349/1, 2, 11, 62; 361/680-686; 382/187
See application file for complete search history.

(56) **References Cited**

U.S. PATENT DOCUMENTS

D408,794 S * 4/1999 Ogasawara D14/341
D438,848 S * 3/2001 Kita D14/126

D466,501 S * 12/2002 Hirota D14/339
D494,167 S * 8/2004 Hirakawa et al. D14/345
D496,361 S * 9/2004 Hotta D14/374
D524,308 S * 7/2006 Lai D14/346

* cited by examiner

Primary Examiner—Freda S. Nunn

(74) *Attorney, Agent, or Firm*—Birch, Stewart, Kolasch & Birch, LLP

(57) **CLAIM**

The ornamental design for a portable display, as shown and described.

DESCRIPTION

FIG. 1 is a perspective view of a portable display showing my new design;

FIG. 2 is a front view thereof;

FIG. 3 is a rear view thereof;

FIG. 4 is a left side view thereof;

FIG. 5 is a right side view thereof;

FIG. 6 is a top plan view thereof; and,

FIG. 7 is a bottom plan view thereof.

1 Claim, 4 Drawing Sheets

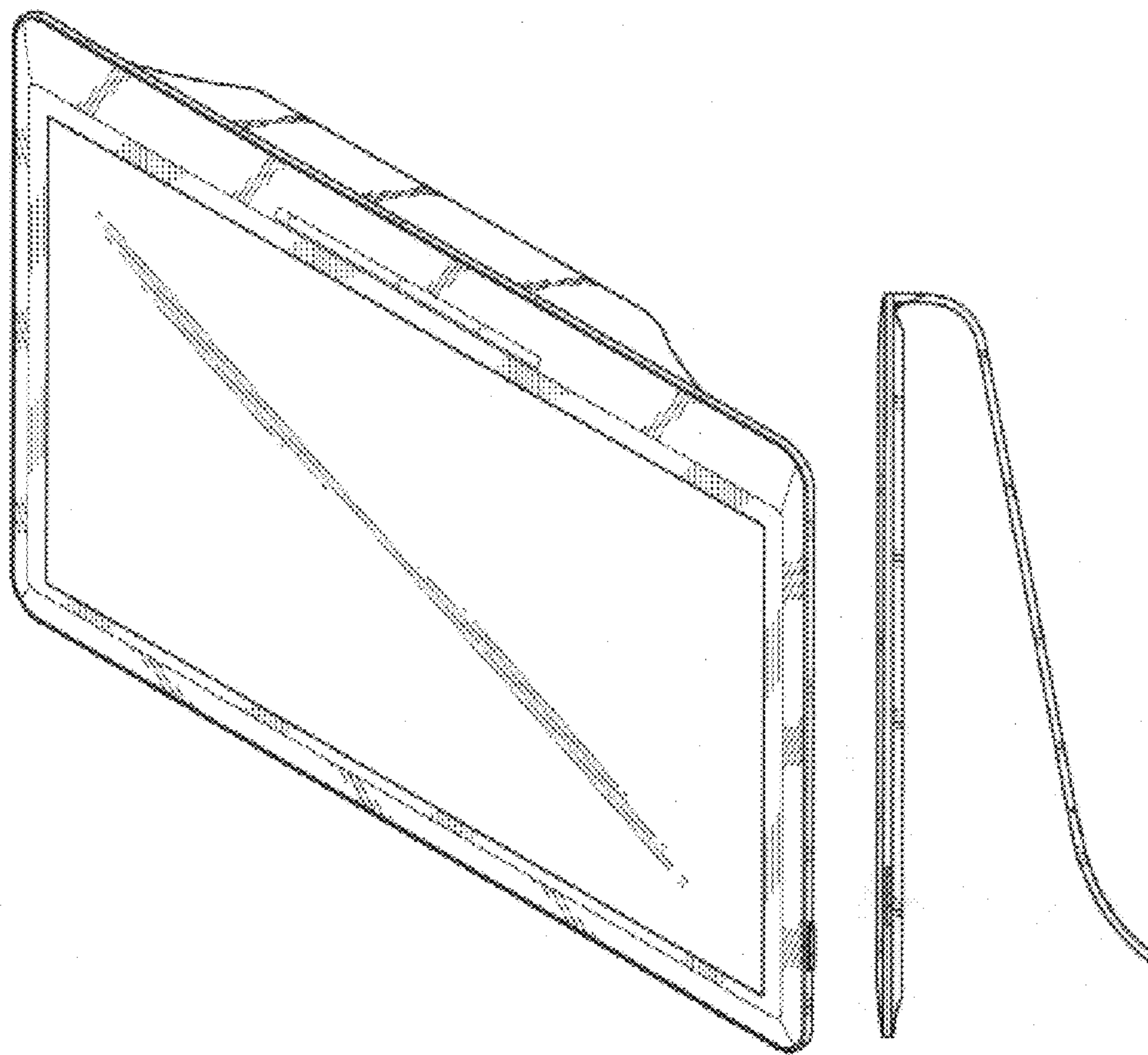


FIG. 1

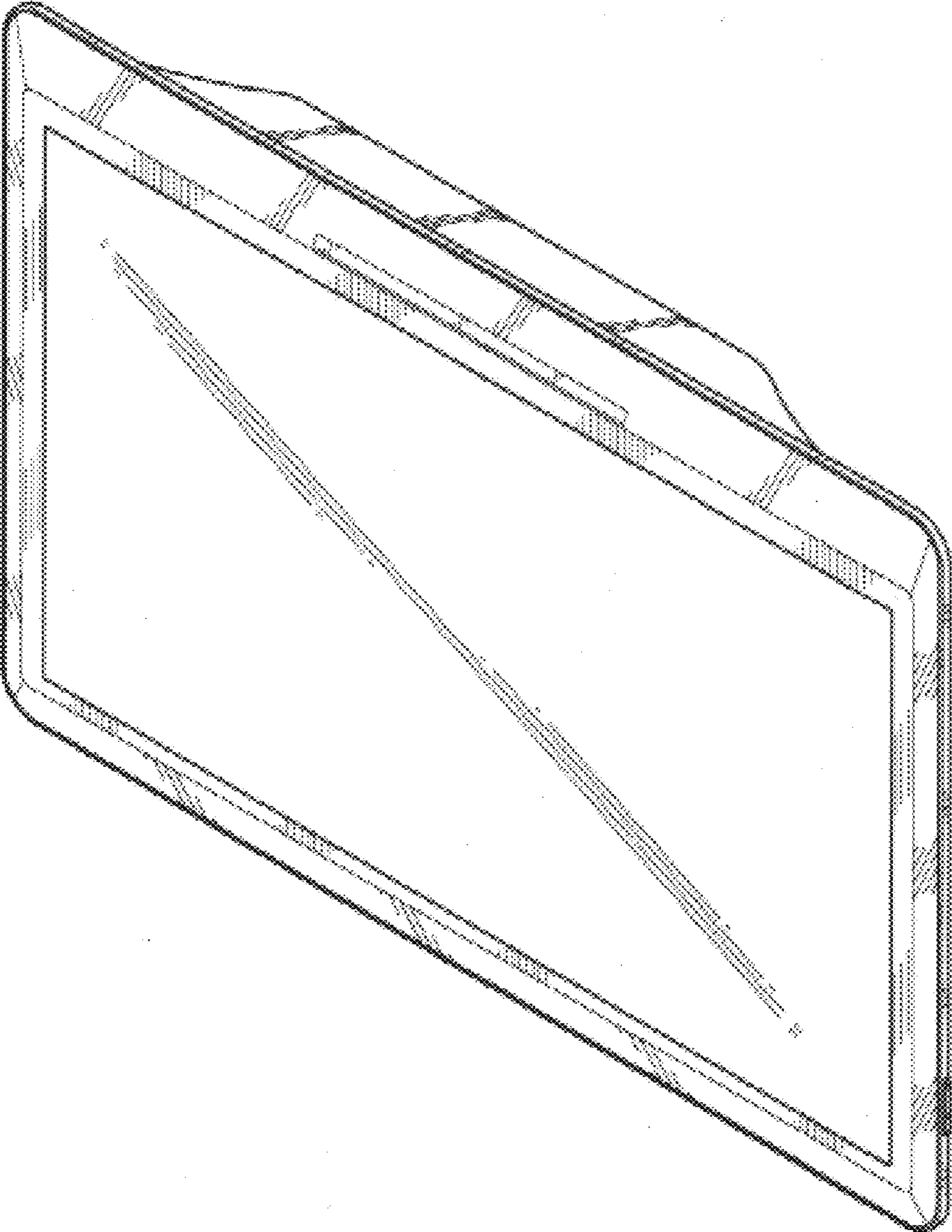


FIG. 2

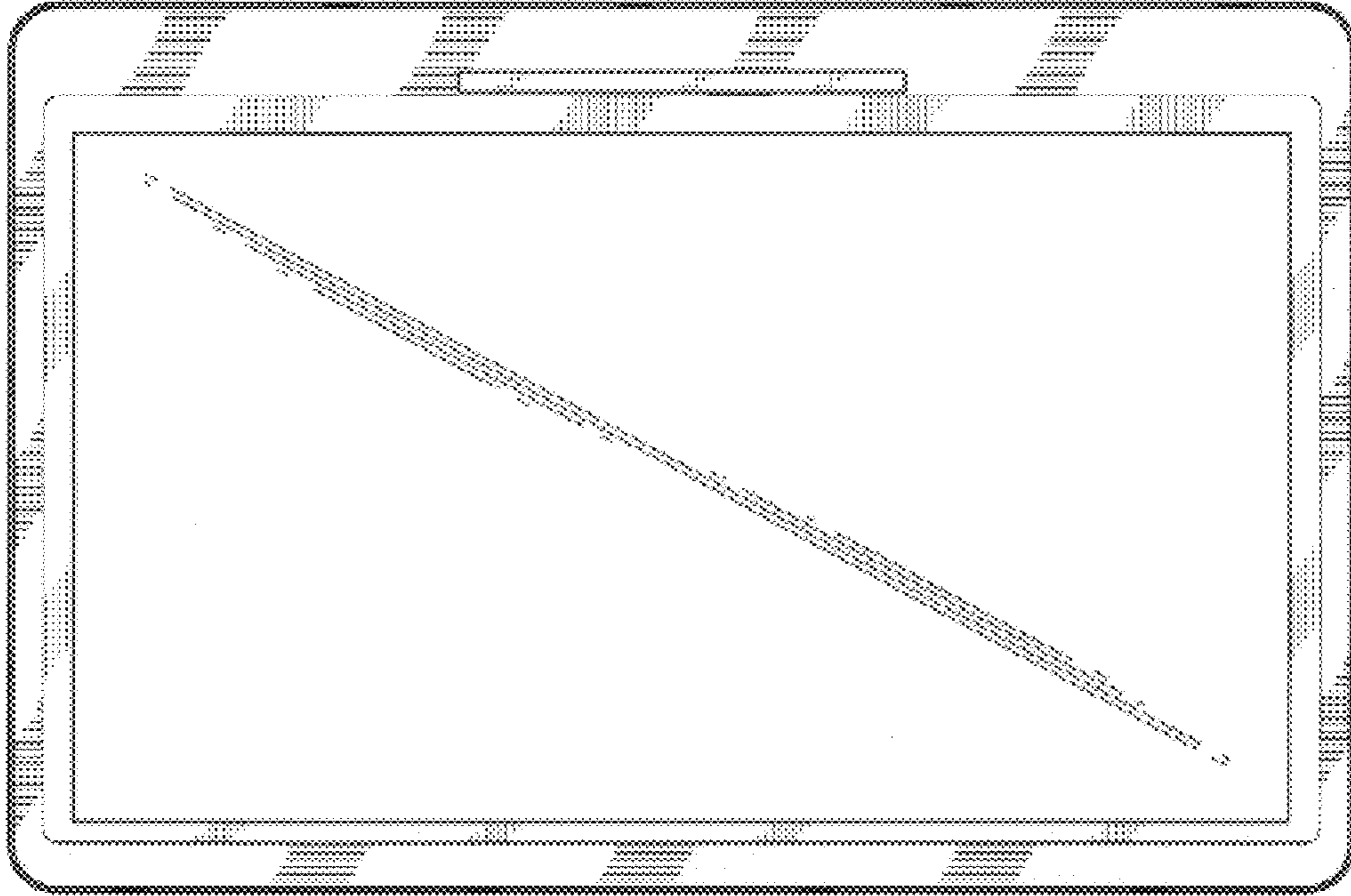


FIG. 3

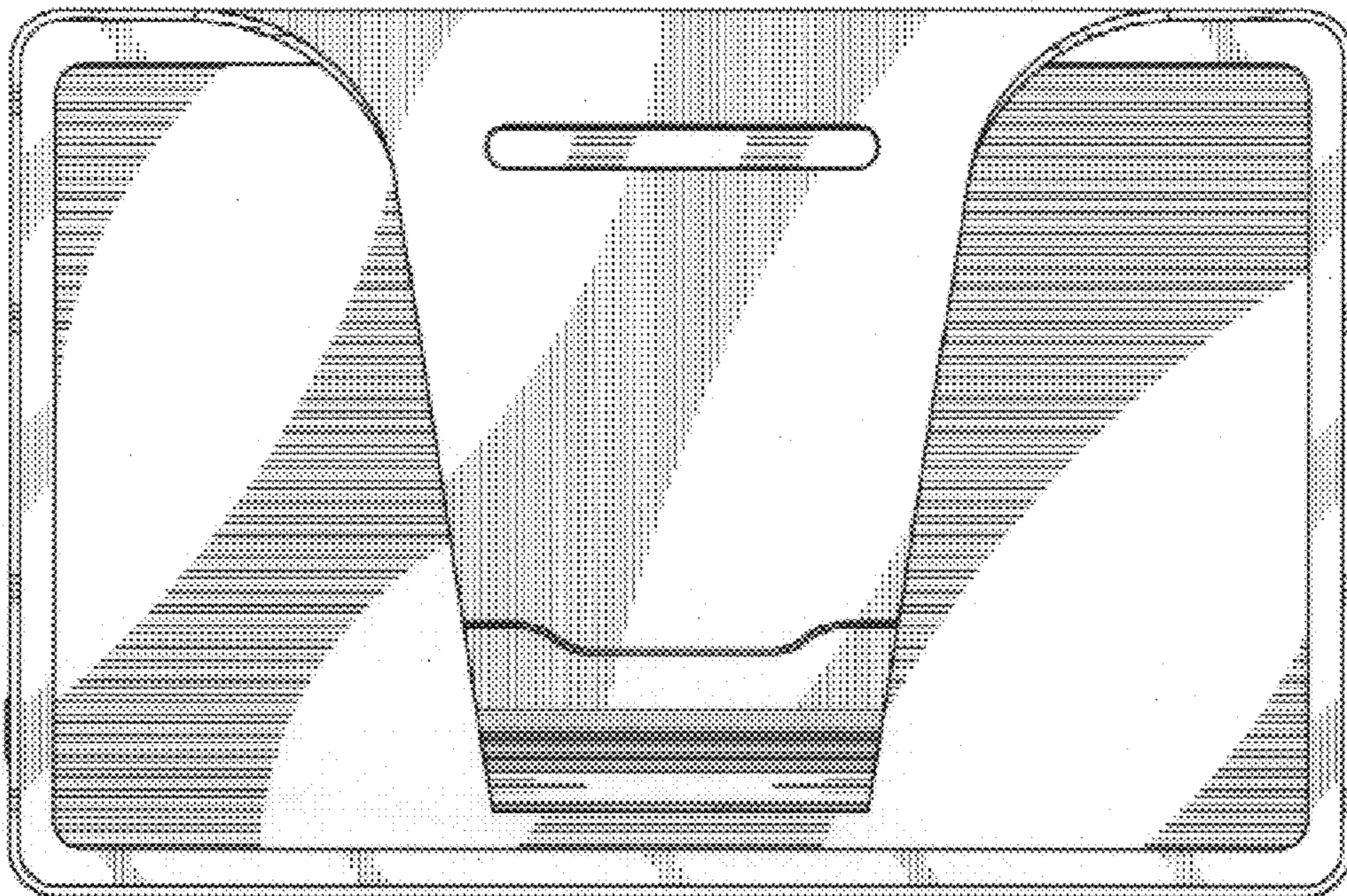


FIG. 4

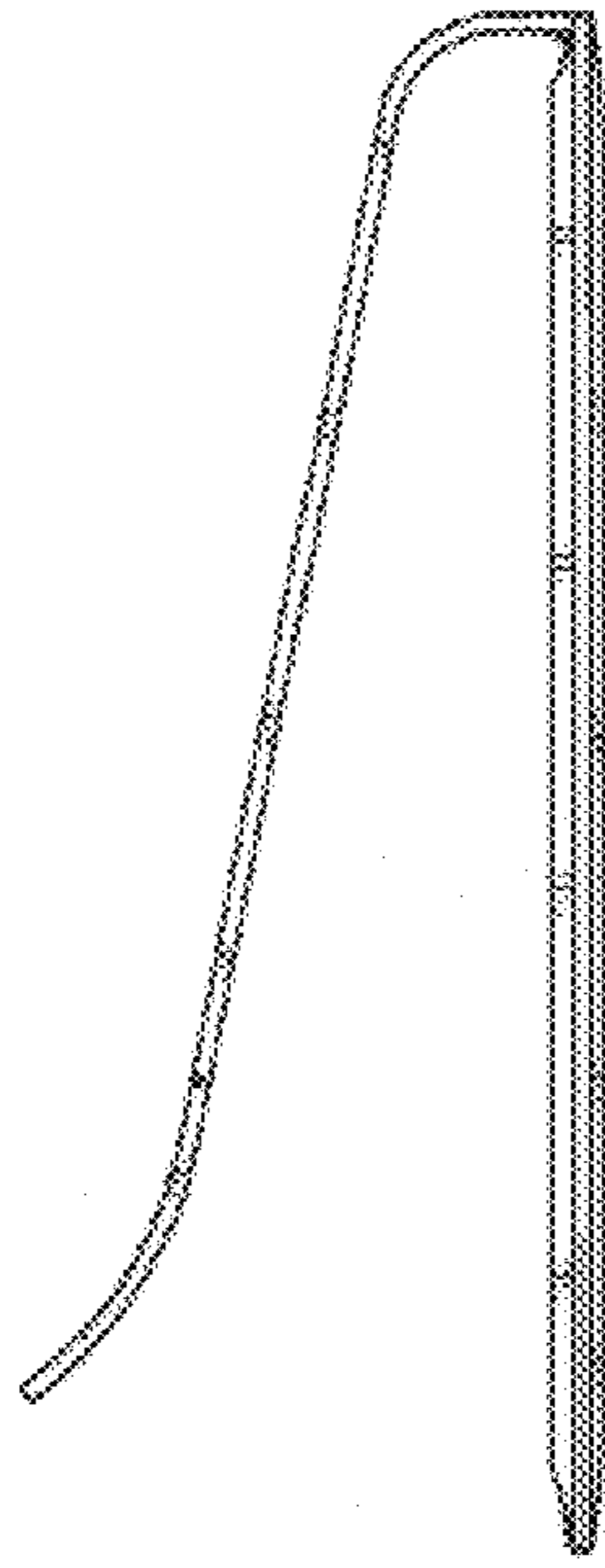


FIG. 5

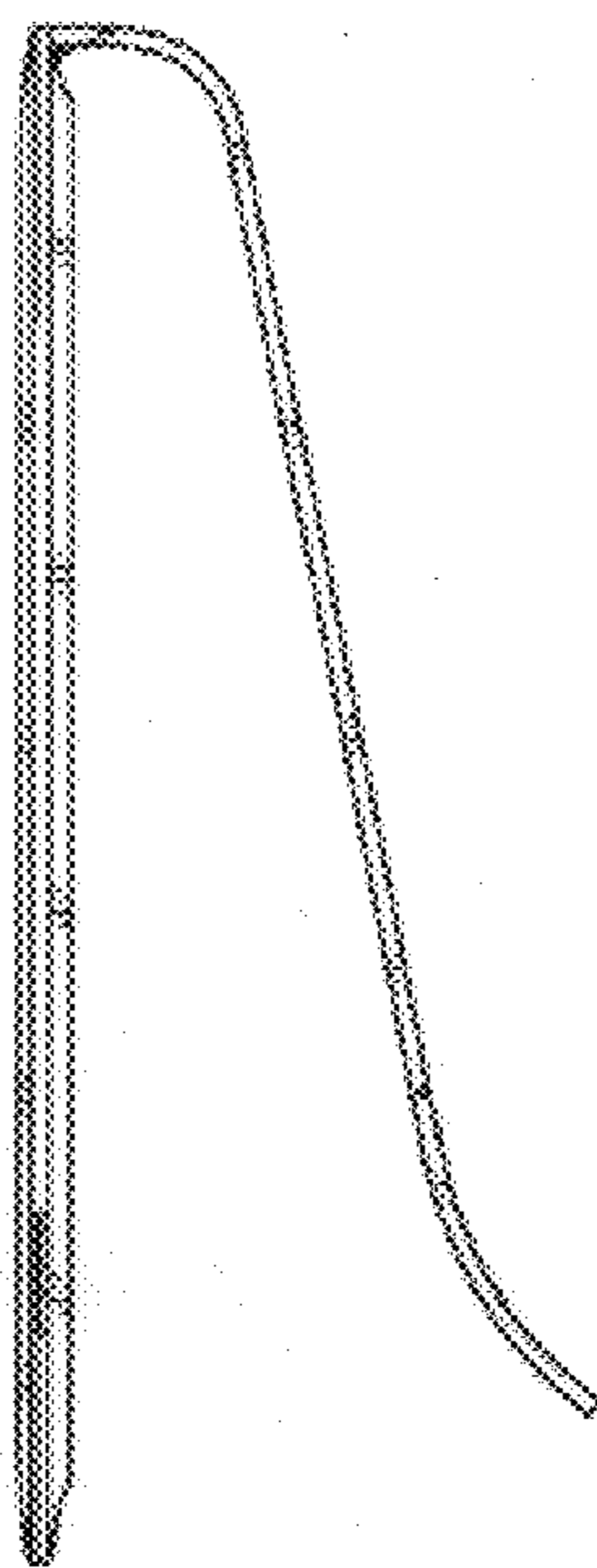


FIG. 6

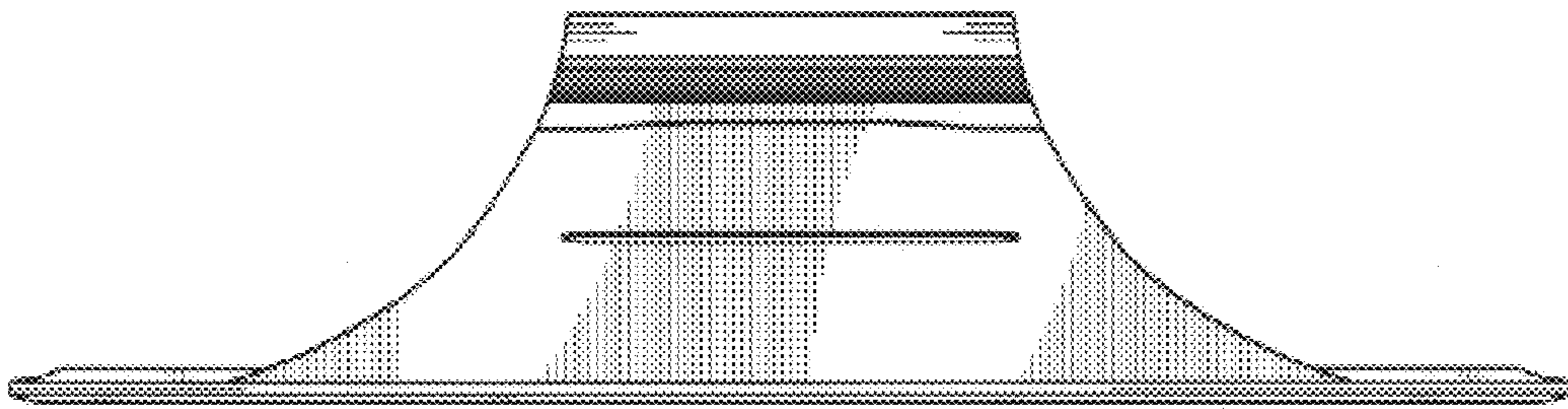


FIG. 7

