



US00D562310S

(12) **United States Design Patent**
Moon et al.

(10) **Patent No.:** **US D562,310 S**

(45) **Date of Patent:** **** Feb. 19, 2008**

(54) **BLUETOOTH HEADSET**

(75) Inventors: **Ji-Hyun Moon**, Daegu (KR); **Beom-Ku Han**, Seoul (KR); **Chang-Soo Lee**, Incheon (KR)

(73) Assignee: **Samsung Electronics Co., Ltd.**, Suwon-Si (KR)

(**) Term: **14 Years**

(21) Appl. No.: **29/268,306**

(22) Filed: **Nov. 3, 2006**

(51) **LOC (8) Cl.** **14-01**

(52) **U.S. Cl.** **D14/223**

(58) **Field of Classification Search** D14/125,
D14/138, 188, 192, 205–206, 218, 223; 379/430,
379/446; 181/129–130; 381/380, 381, 374,
381/375, 376–377, 370

See application file for complete search history.

(56) **References Cited**

U.S. PATENT DOCUMENTS

D420,348 S *	2/2000	Chang	D14/125
D471,889 S *	3/2003	Rath et al.	D14/205
D478,893 S *	8/2003	Corander	D14/218
D508,485 S *	8/2005	Katsumata	D14/223
D512,991 S *	12/2005	Yano	D14/223
D514,549 S *	2/2006	Rath et al.	D14/223

D526,313 S *	8/2006	Murray	D14/223
D528,531 S *	9/2006	Rose et al.	D14/138
D533,540 S *	12/2006	Murray	D14/205
D539,787 S *	4/2007	Kim et al.	D14/223
D545,813 S *	7/2007	Ma	D14/223

* cited by examiner

Primary Examiner—Paula A. Greene

(74) *Attorney, Agent, or Firm*—Staas & Halsey LLP

(57) **CLAIM**

The ornamental design for a bluetooth headset, as shown and described.

DESCRIPTION

FIG. 1 is a perspective view of a bluetooth headset according to our new design;

FIG. 2 is a front elevational view thereof;

FIG. 3 is a rear elevational view thereof;

FIG. 4 is a left side elevational view thereof;

FIG. 5 is a right side elevational view thereof;

FIG. 6 is a top plan view thereof; and,

FIG. 7 is a bottom plan view thereof.

The surface(s) or portion(s) of the article not shown in the drawing or described in the specification form(s) no part of the claimed design.

1 Claim, 6 Drawing Sheets

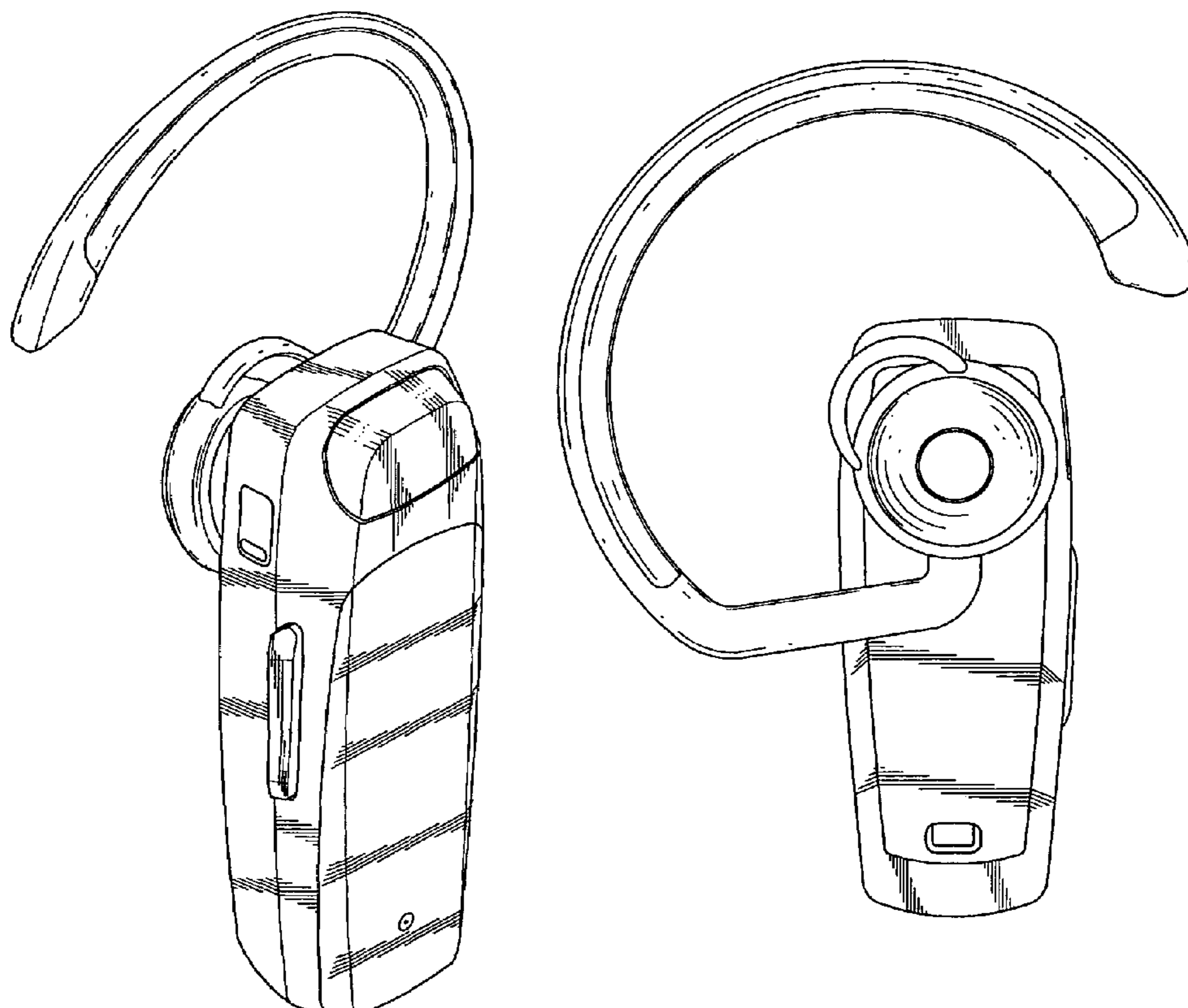


FIG. 1

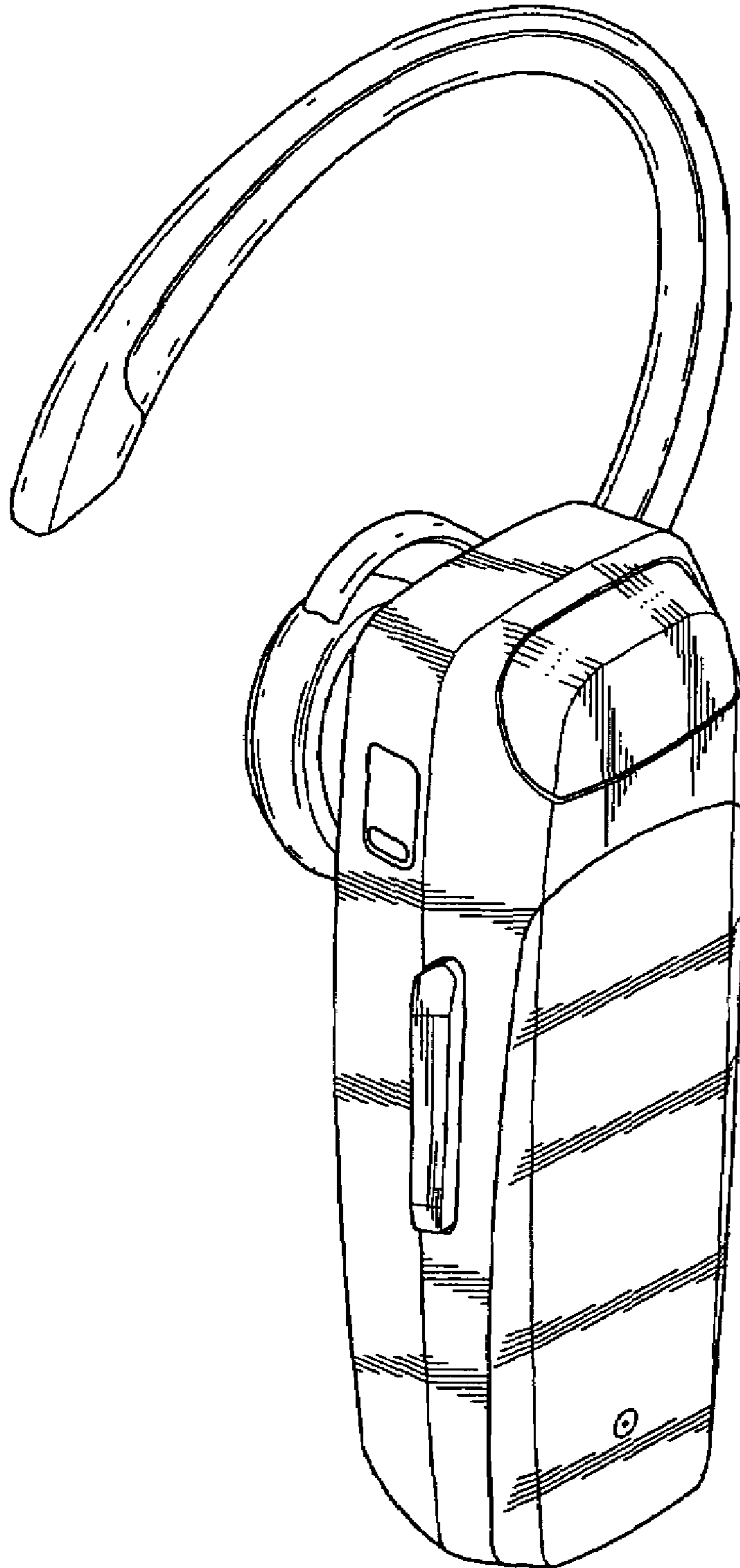


FIG.2

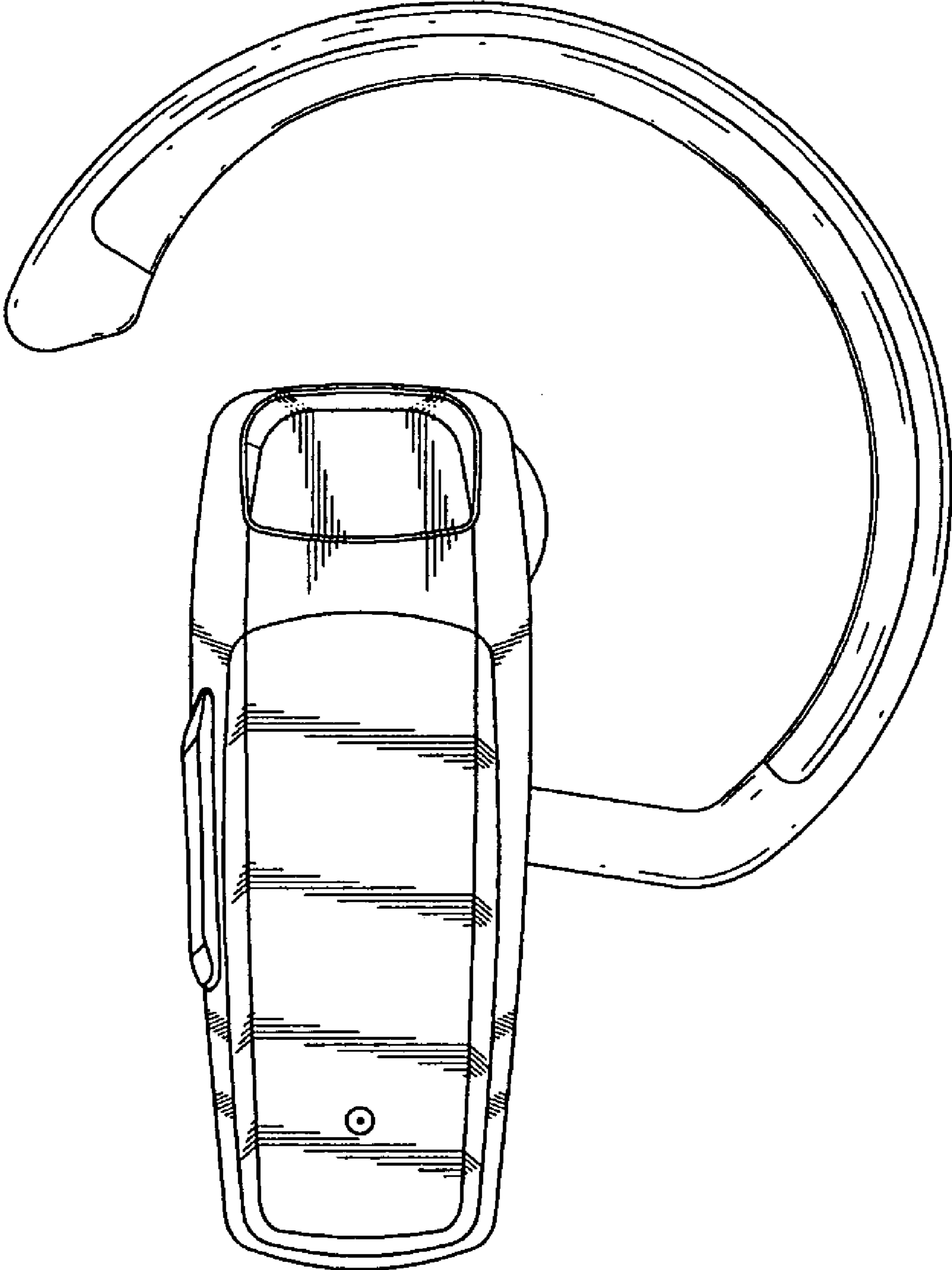


FIG.3

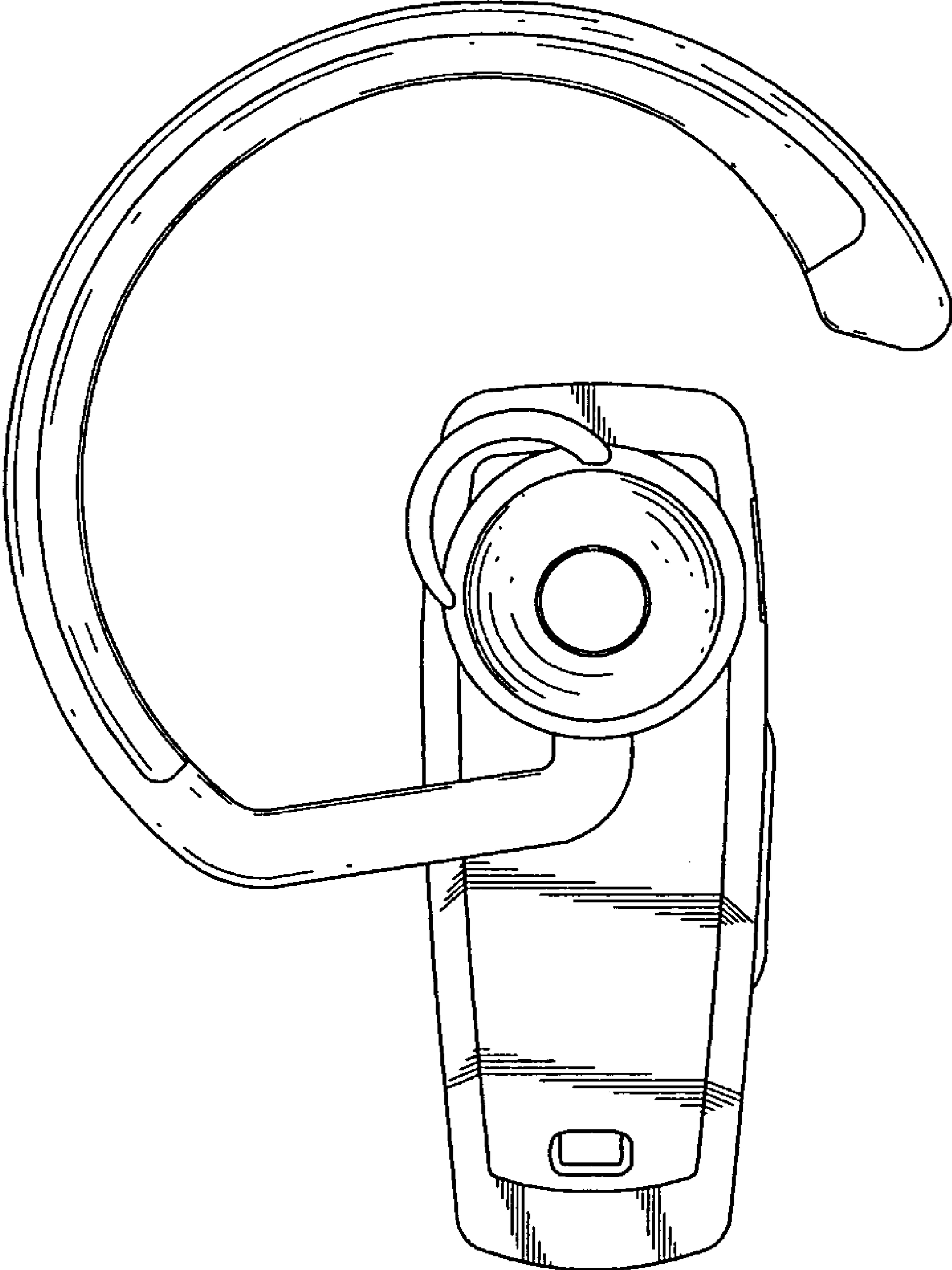


FIG. 4

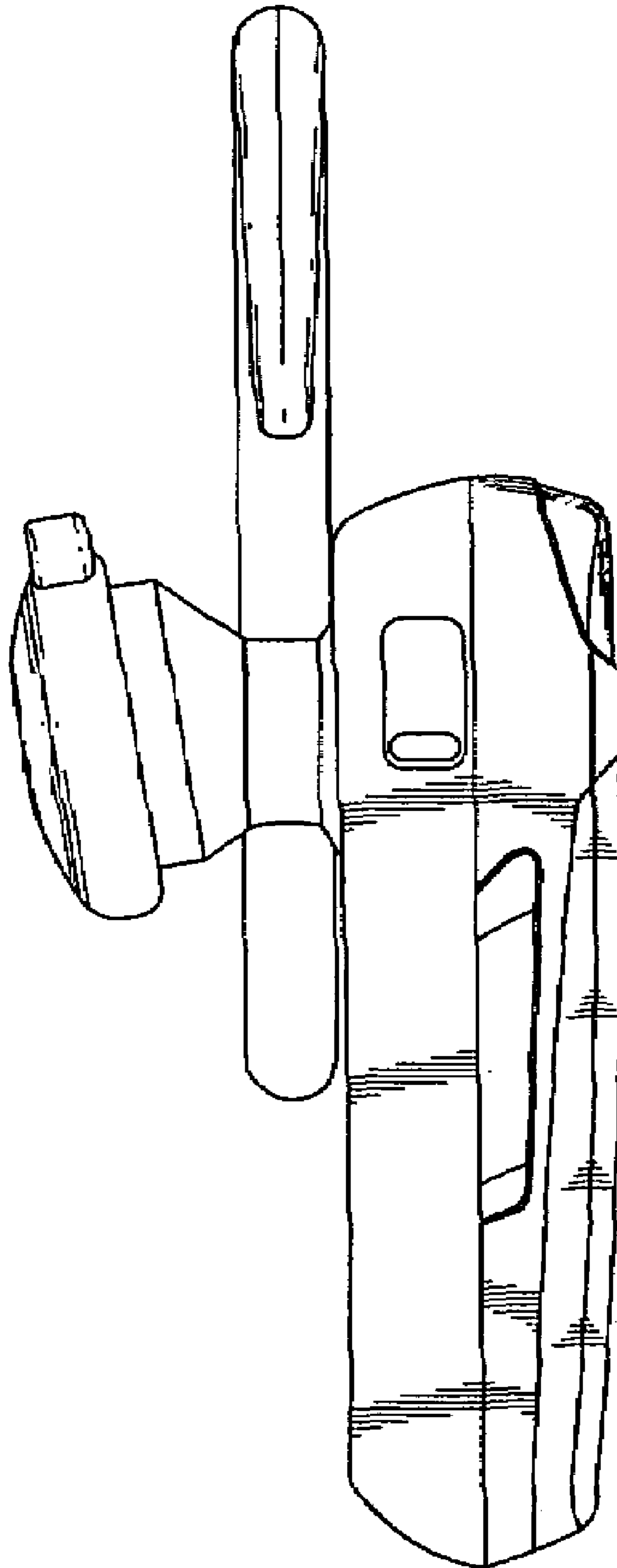


FIG. 5

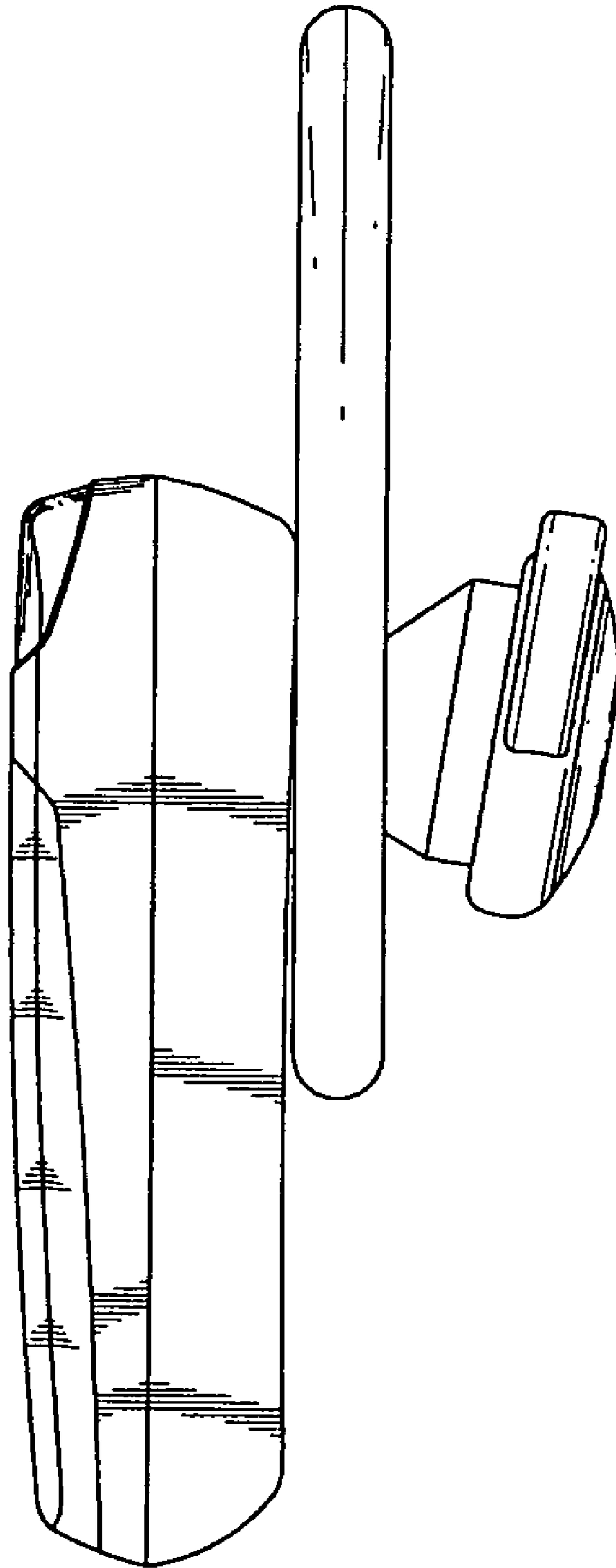


FIG.6

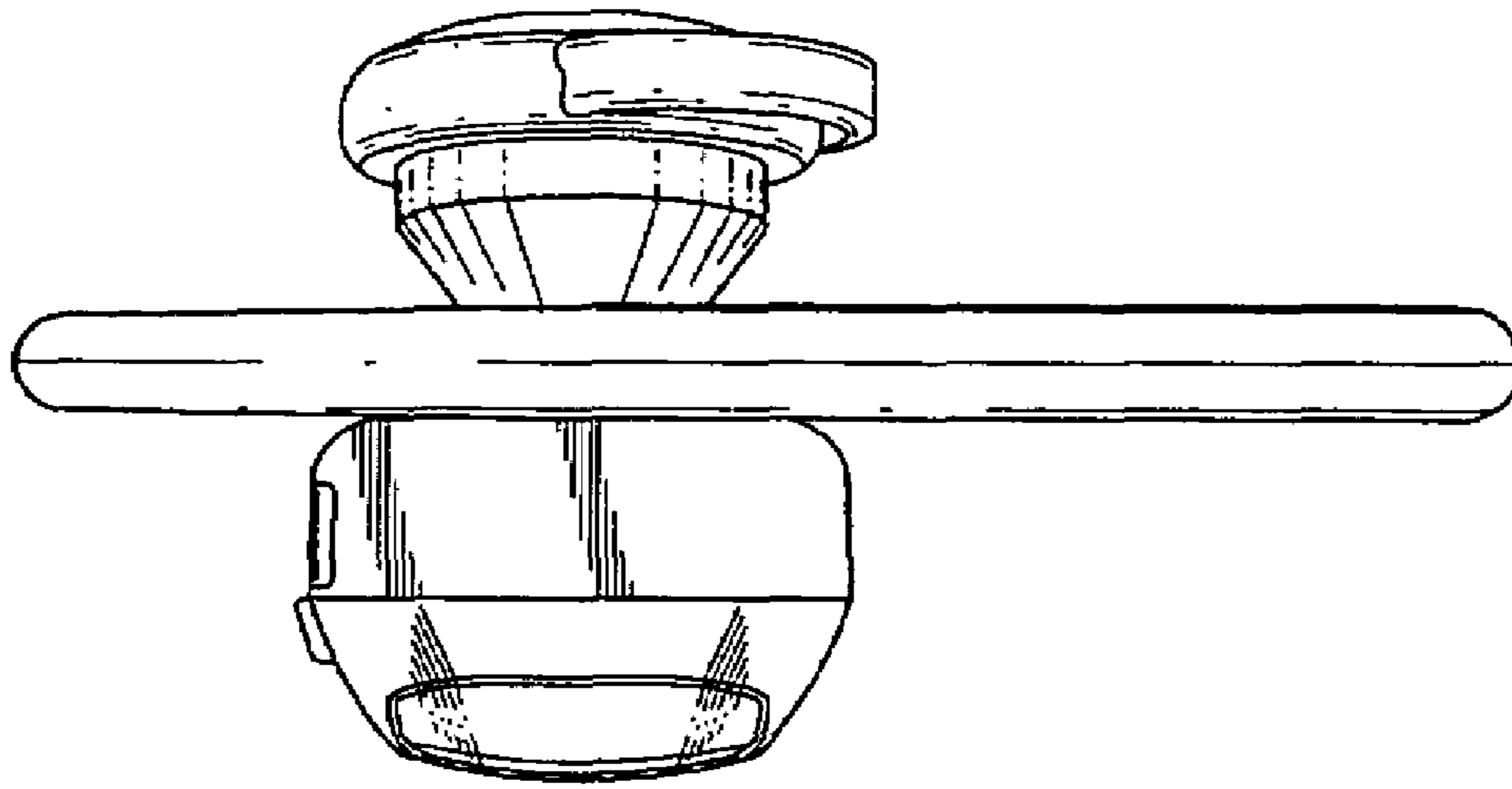


FIG.7

