

US00D562307S

(12) **United States Design Patent**  
**Warden**

(10) **Patent No.:** **US D562,307 S**

(45) **Date of Patent:** **\*\* Feb. 19, 2008**

(54) **LINE ARRAY LOUDSPEAKER DESIGN**

D475,991 S \* 6/2003 Hisatsune ..... D14/211  
D496,348 S \* 9/2004 Juskiewicz et al. .... D14/216  
D522,492 S 6/2006 Carbone  
D524,796 S \* 7/2006 Chan ..... D14/211

(75) Inventor: **Robert A. Warden**, Southborough, MA  
(US)

(73) Assignee: **Bose Corporation**, Framingham, MA  
(US)

(\*\*) Term: **14 Years**

(21) Appl. No.: **29/275,098**

(22) Filed: **Dec. 12, 2006**

(51) **LOC (8) Cl.** ..... **14-01**

(52) **U.S. Cl.** ..... **D14/211**

(58) **Field of Classification Search** ..... D14/204,  
D14/209-216; 181/143-144, 147-148, 150,  
181/157, 198-199, 151, 153; 381/300-302,  
381/306, 333, 345, 361-364, 386-388, 332,  
381/336

See application file for complete search history.

(56) **References Cited**

**U.S. PATENT DOCUMENTS**

D347,225 S \* 5/1994 Lowy et al. .... D14/204  
D461,177 S \* 8/2002 Hisatsune ..... D14/211

\* cited by examiner

*Primary Examiner*—Nanda Bondade

(74) *Attorney, Agent, or Firm*—Fish & Richardson P.C.

(57) **CLAIM**

The ornamental design for a line array loudspeaker design,  
substantially as shown and described.

**DESCRIPTION**

FIG. 1 is a perspective view of the line array loudspeaker  
design;

FIG. 2 is a front view thereof;

FIG. 3 is a rear view thereof;

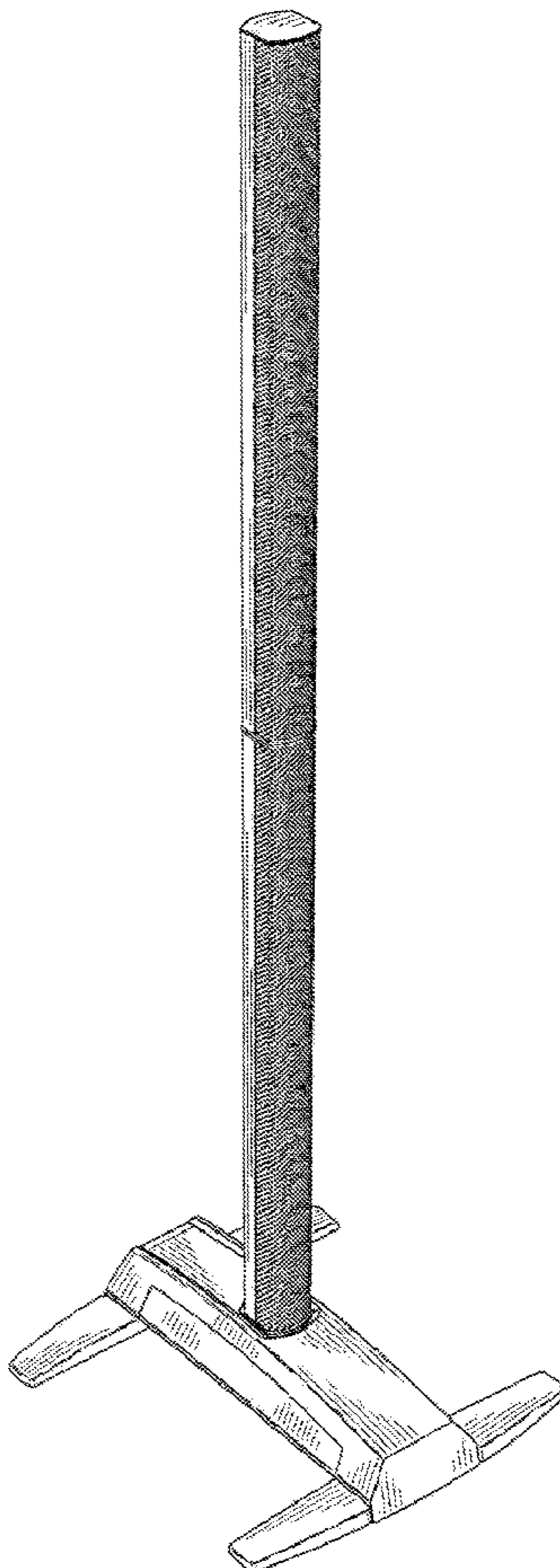
FIG. 4 is a left side view thereof;

FIG. 5 is a right side view thereof;

FIG. 6 is a top plan view thereof; and,

FIG. 7 is a bottom plan view thereof.

**1 Claim, 6 Drawing Sheets**



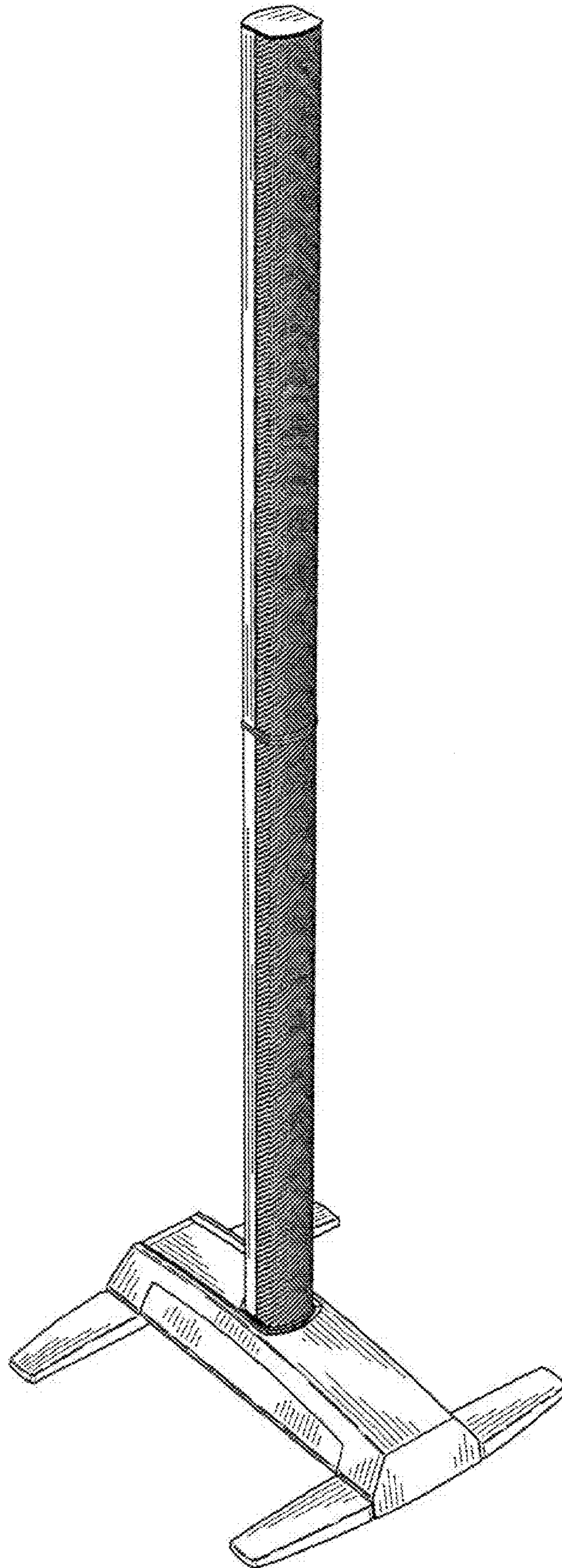


FIG. 1

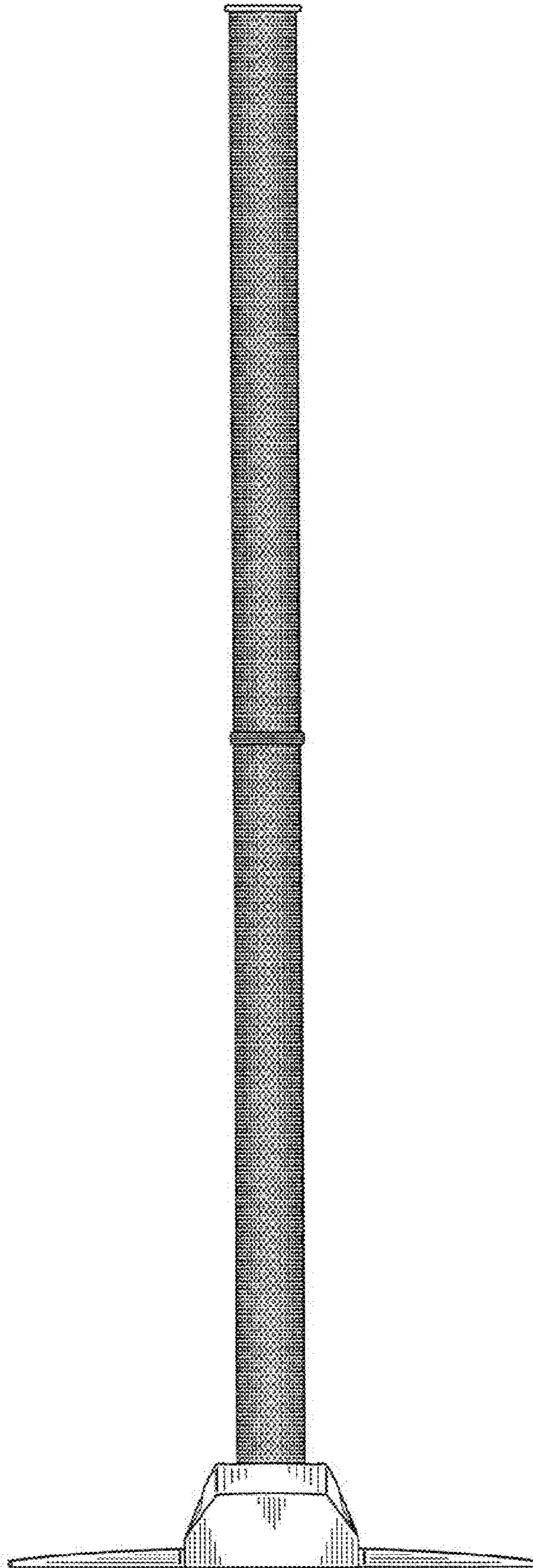


FIG. 2

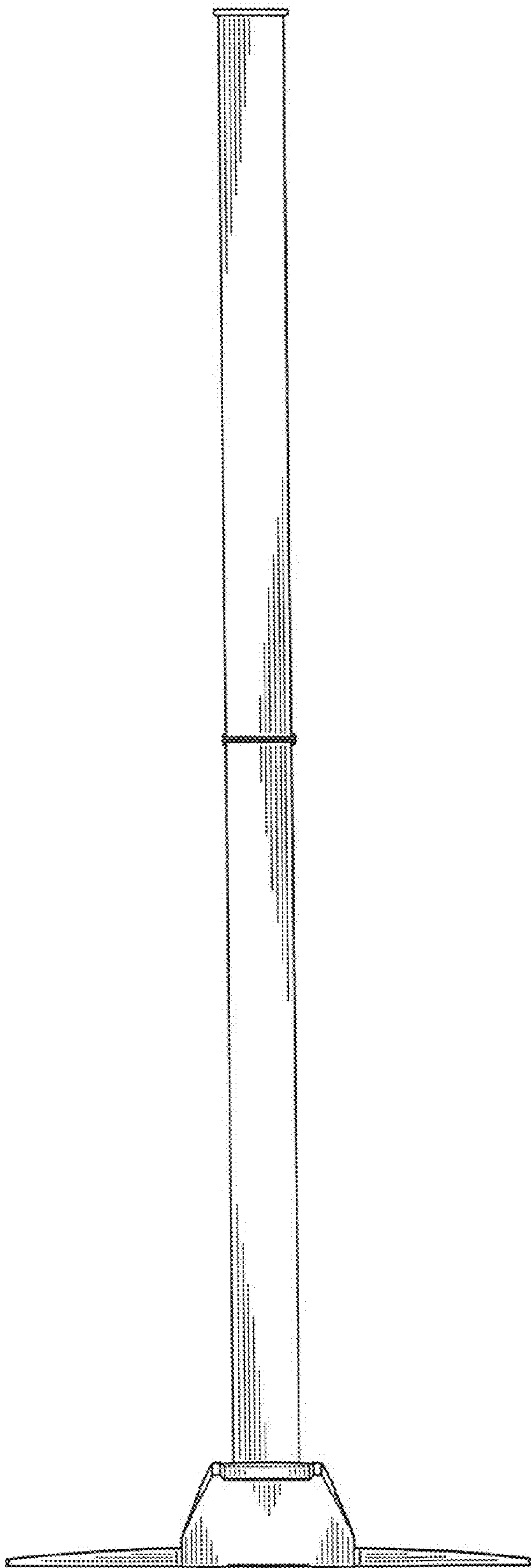


FIG. 3

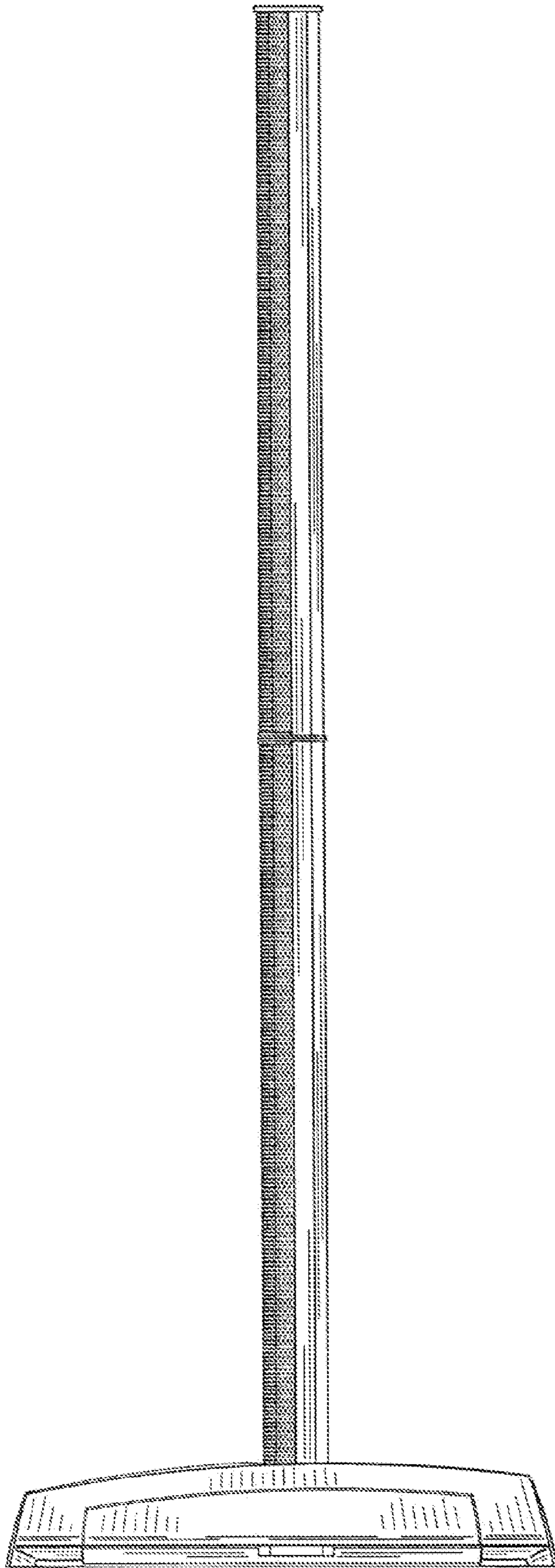


FIG. 4

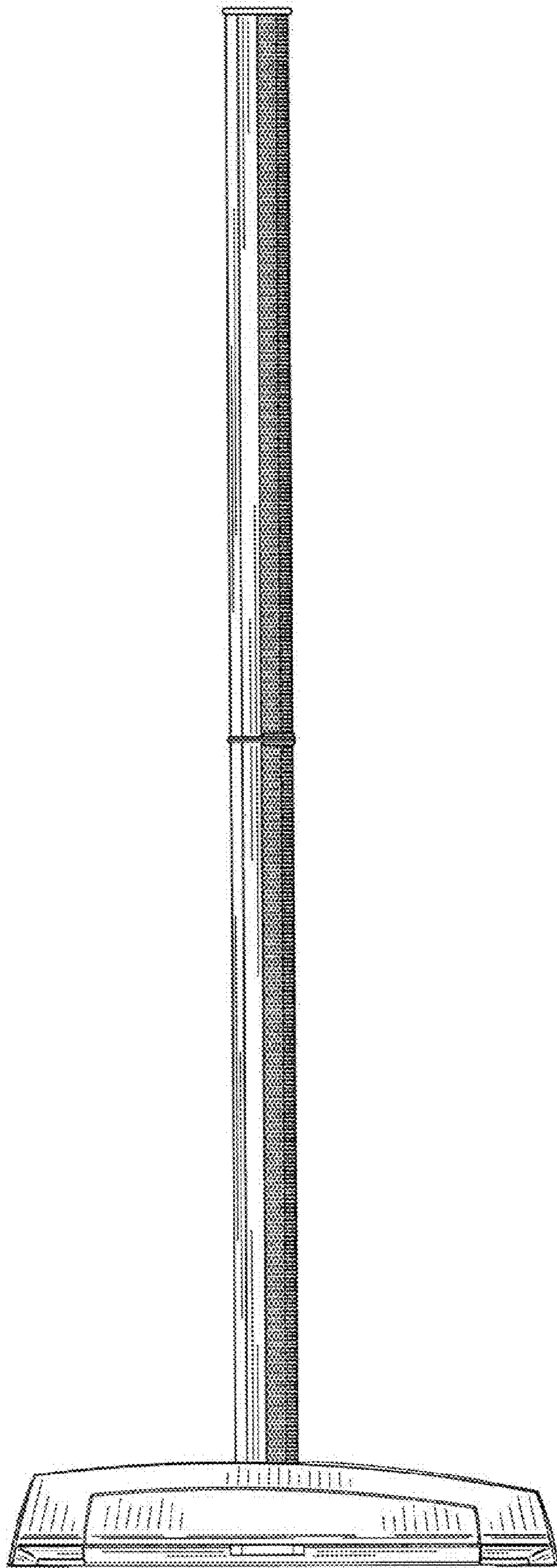


FIG. 5

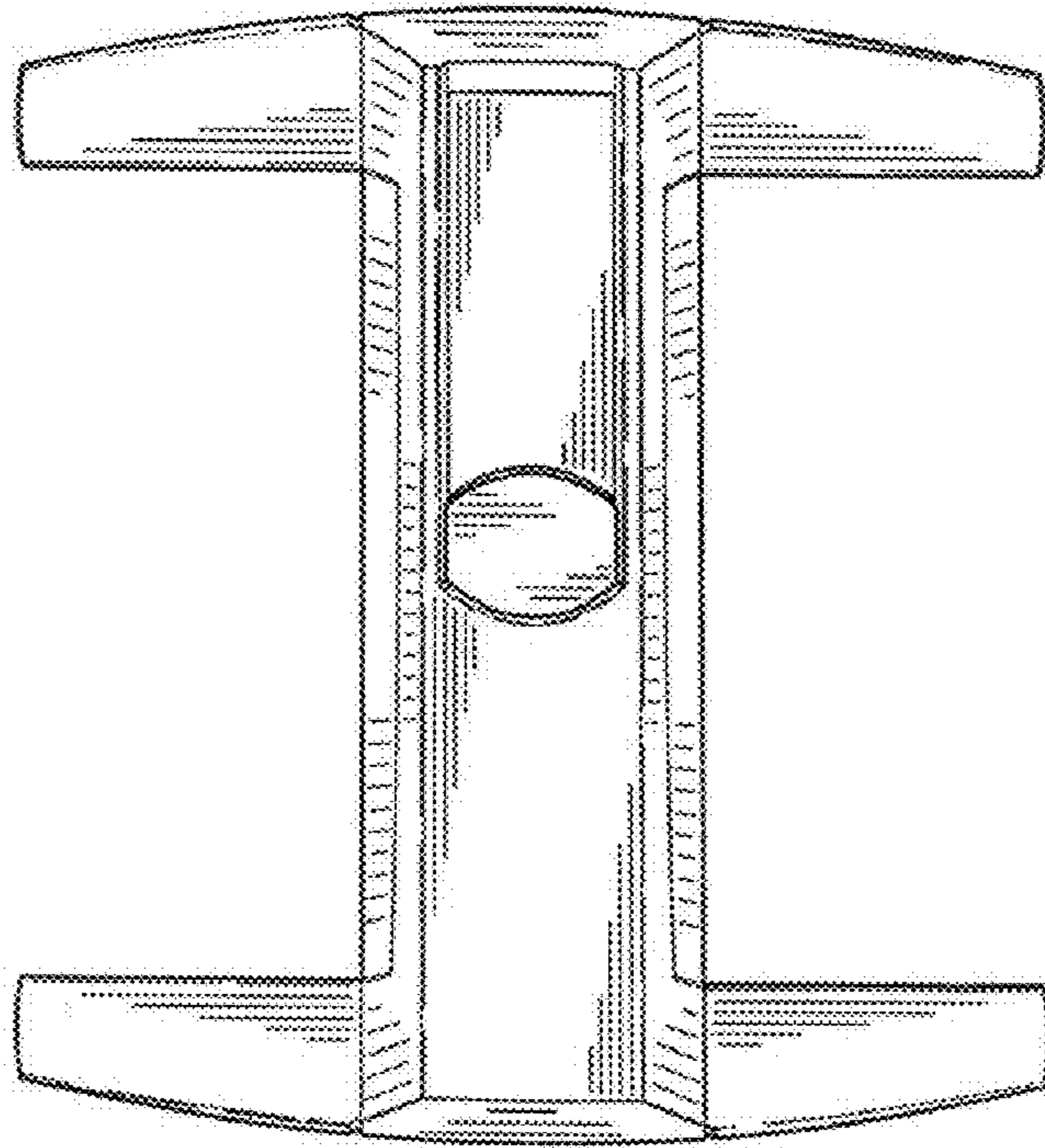


FIG. 6

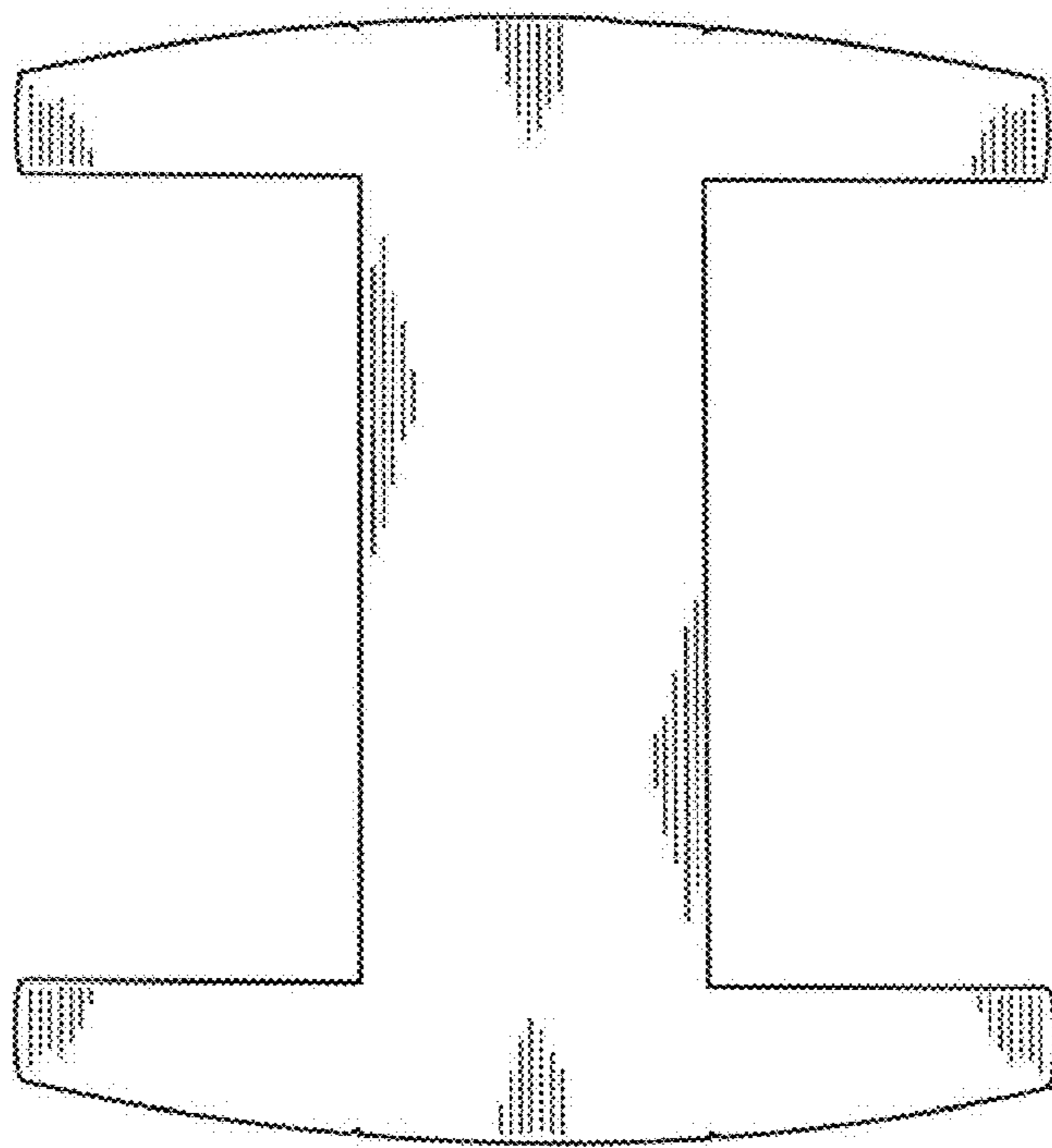


FIG. 7