

US00D562304S

(12) **United States Design Patent** (10) **Patent No.:** **US D562,304 S**
Takada et al. (45) **Date of Patent:** **** Feb. 19, 2008**

(54) **TELEPHONE SET**

2004/0247113 A1* 12/2004 Akatsu 379/419

(75) Inventors: **Toshio Takada**, Tokyo (JP); **Yuji Hirooka**, Kunitachi (JP)

FOREIGN PATENT DOCUMENTS

JP	722348-3	1/1988
JP	744798	9/1988
JP	842800	7/1992
JP	1055465	12/1999

(73) Assignee: **Kabushiki Kaisha Toshiba** (JP)

(**) Term: **14 Years**

OTHER PUBLICATIONS

(21) Appl. No.: **29/276,585**

Meridian M3904, Rel 3, <URL:http://www.alliancetelecominc.com/itemdetail.aspx?id=15>, retrieved from internet Sep. 13, 2007.*

(22) Filed: **Jan. 30, 2007**

(30) **Foreign Application Priority Data**

Dec. 18, 2006 (JP) 2006-034630

* cited by examiner

(51) **LOC (8) Cl.** **14-03**

Primary Examiner—Charles A. Rademaker

(52) **U.S. Cl.** **D14/151**

Assistant Examiner—Carla Jobe Wright

(58) **Field of Classification Search** D14/125–130,
D14/140–142, 144, 146–151, 240, 243, 248,
D14/250–253, 329–330, 496; D13/107–108;
320/110, 113–115; 348/14.01–14.06; 379/88.17,
379/90.01, 93.17, 419–420.04, 428.01–428.04,
379/434–436, 440, 446, 454–455; 455/550.1–90.3
See application file for complete search history.

(74) *Attorney, Agent, or Firm*—Banner & Witcoff, Ltd.

(57) **CLAIM**

The ornamental design for a telephone set, as shown and described.

(56) **References Cited**

DESCRIPTION

U.S. PATENT DOCUMENTS

D291,691 S *	9/1987	Fellmann	D14/151
D303,390 S *	9/1989	Ohta et al.	D14/151
D318,276 S *	7/1991	Fuqua et al.	D14/151
D332,263 S *	1/1993	Taniguchi	D14/151
D366,484 S *	1/1996	Levin	D14/151
D368,091 S *	3/1996	Yoshihiko et al.	D14/151
D375,094 S *	10/1996	Toh	D14/151
D387,056 S	12/1997	Yoneyama		
D389,145 S	1/1998	Yoneyama		
D395,308 S	6/1998	Yoneyama		
D405,447 S *	2/1999	Landry et al.	D14/151
D410,005 S *	5/1999	Landry et al.	D14/151
D452,489 S	12/2001	Nagase		
D457,152 S *	5/2002	Nam	D14/151
D499,078 S	11/2004	Abe et al.		
D499,079 S	11/2004	Abe et al.		
D499,712 S	12/2004	Abe et al.		

FIG. 1 is a front, bottom and right side perspective view of a telephone set, showing our new design;

FIG. 2 is a front, bottom and right side perspective view thereof in a tilted state;

FIG. 3 is a front elevational view thereof;

FIG. 4 is a rear elevational view thereof;

FIG. 5 is a top plan view thereof;

FIG. 6 is a bottom plan view thereof;

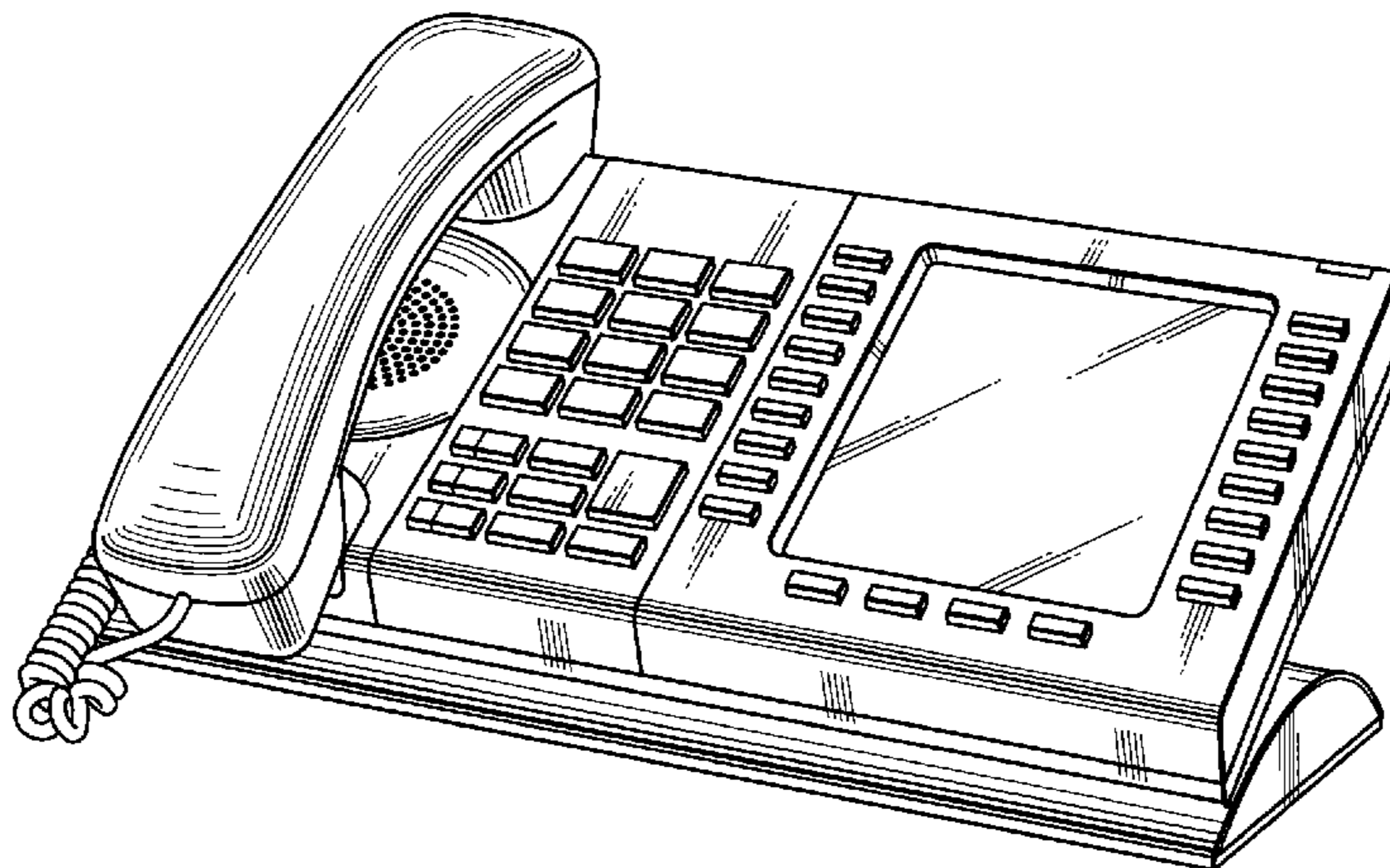
FIG. 7 is a left side elevational view thereof;

FIG. 8 is a right side elevational view thereof;

FIG. 9 is a front elevational view thereof with a telephone handset in a removed state;

FIG. 10 is a left side elevational view thereof with a telephone handset in a removed state; and,

FIG. 11 is a right side elevational view thereof in a tilted state.



1 Claim, 5 Drawing Sheets

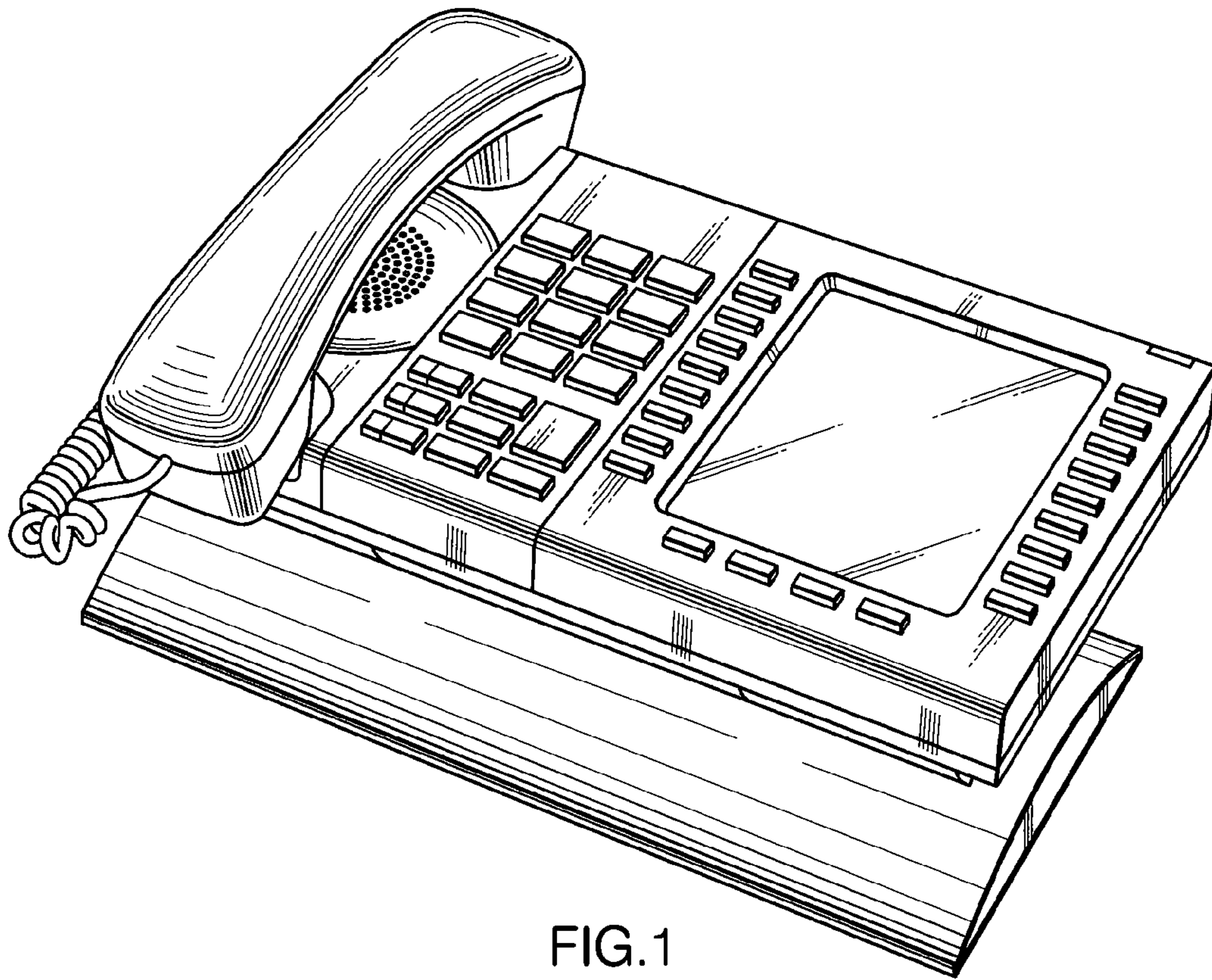


FIG. 1

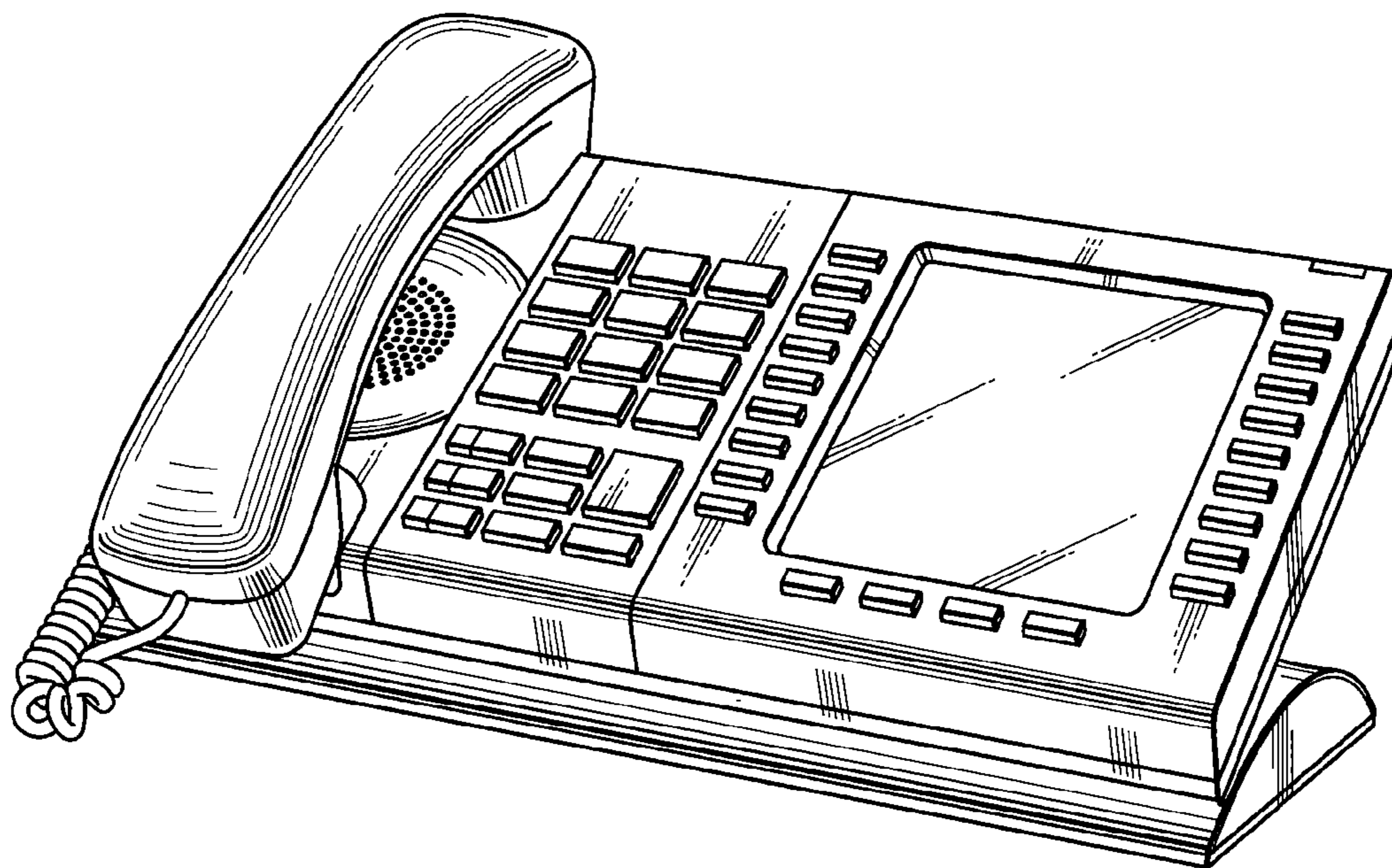


FIG. 2

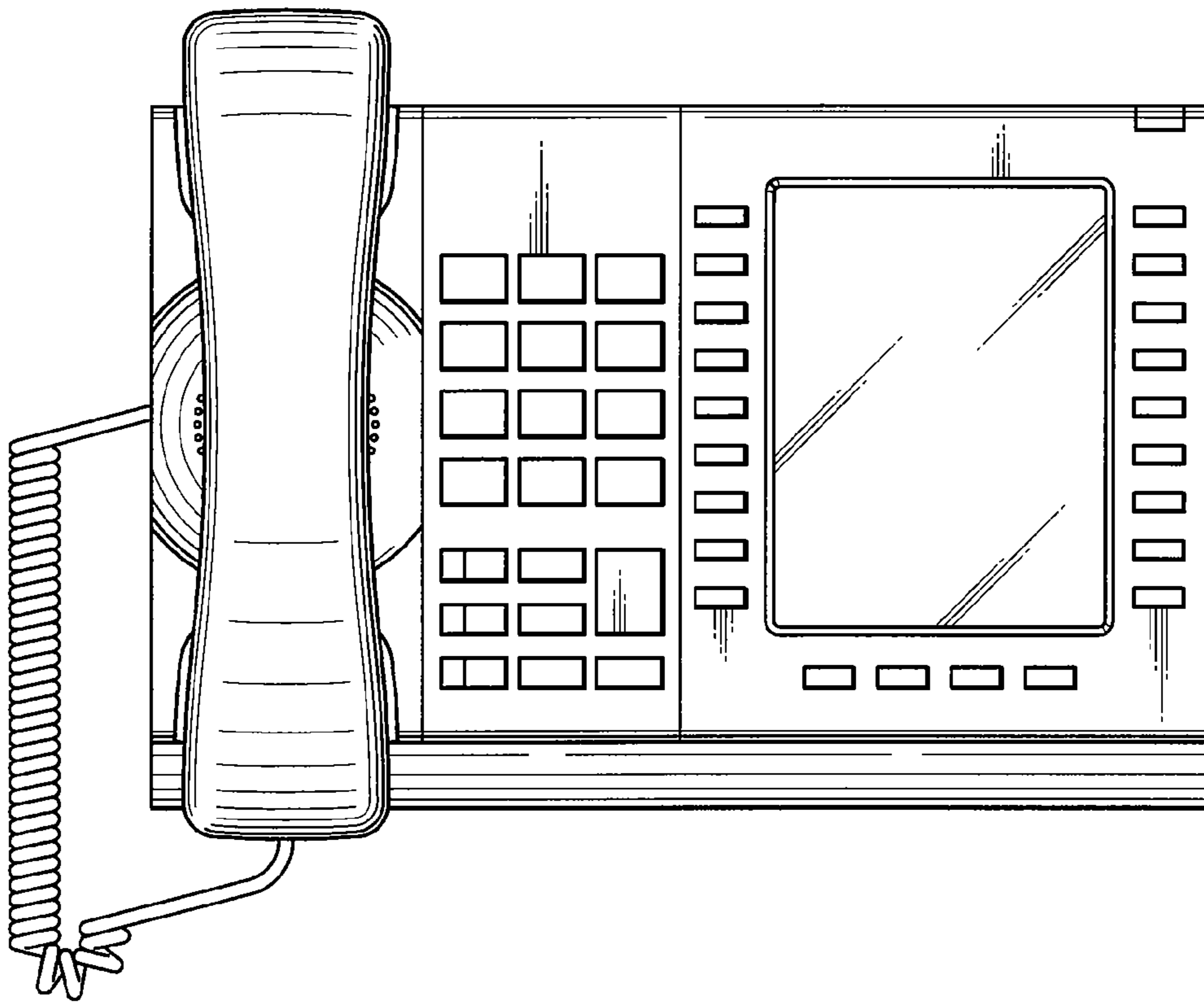


FIG. 3

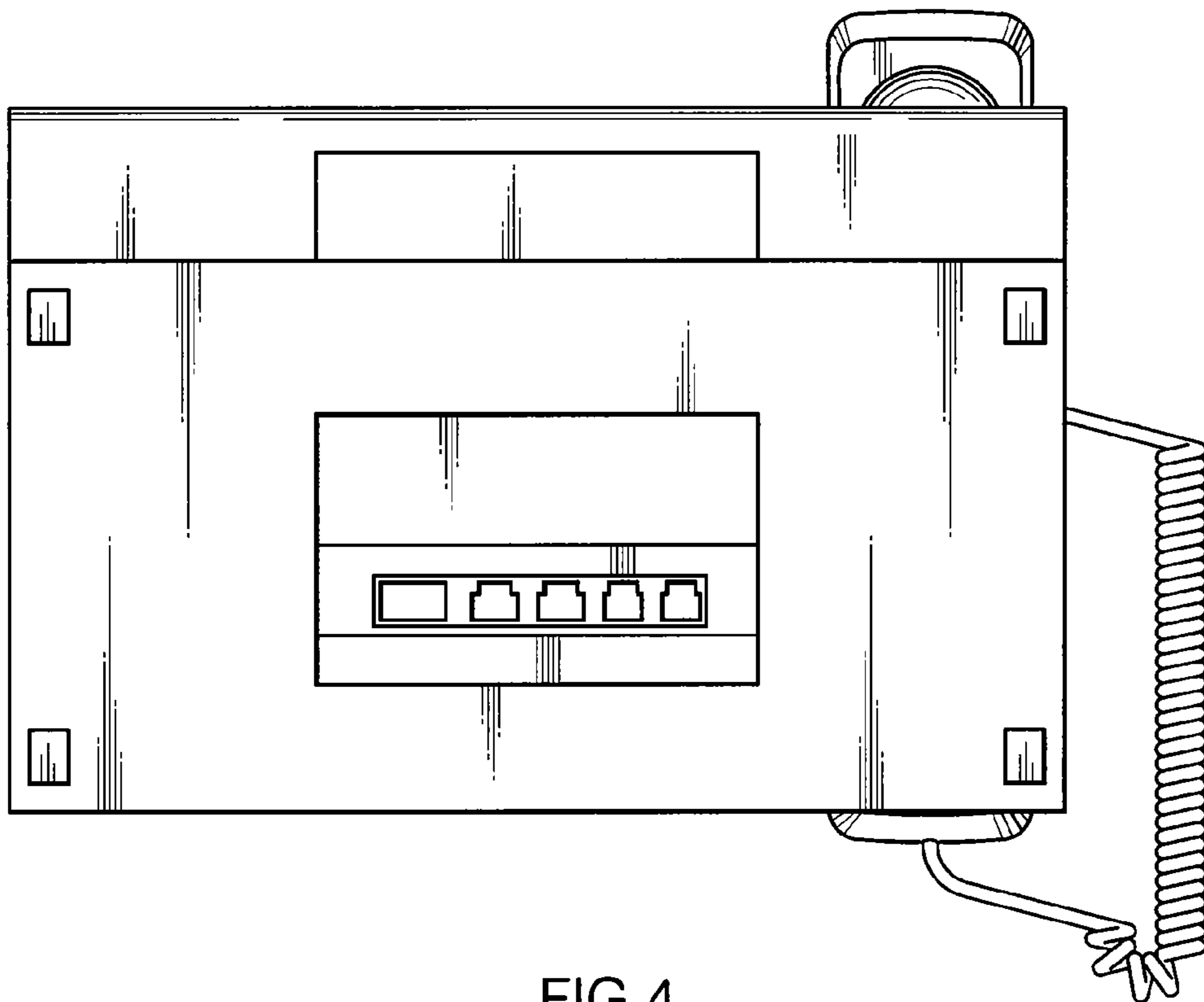


FIG. 4

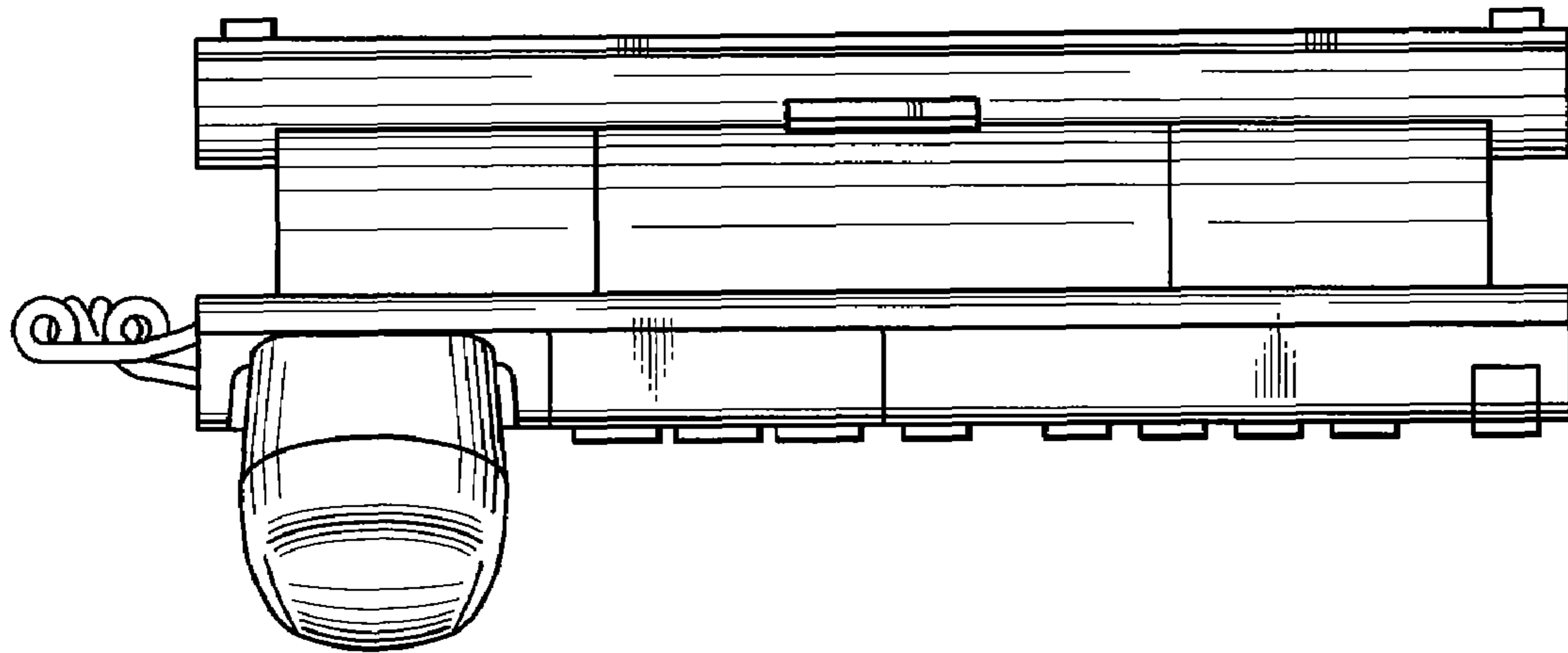


FIG. 5

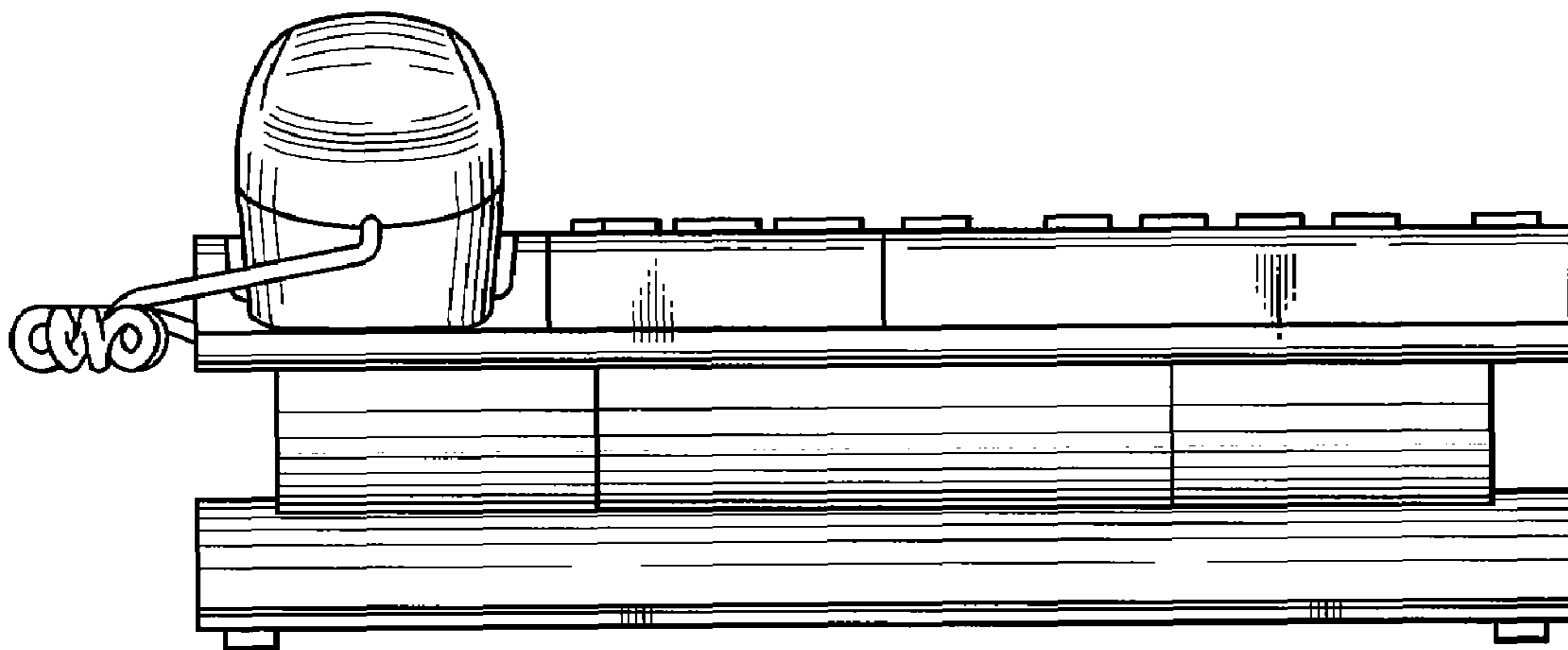


FIG. 6

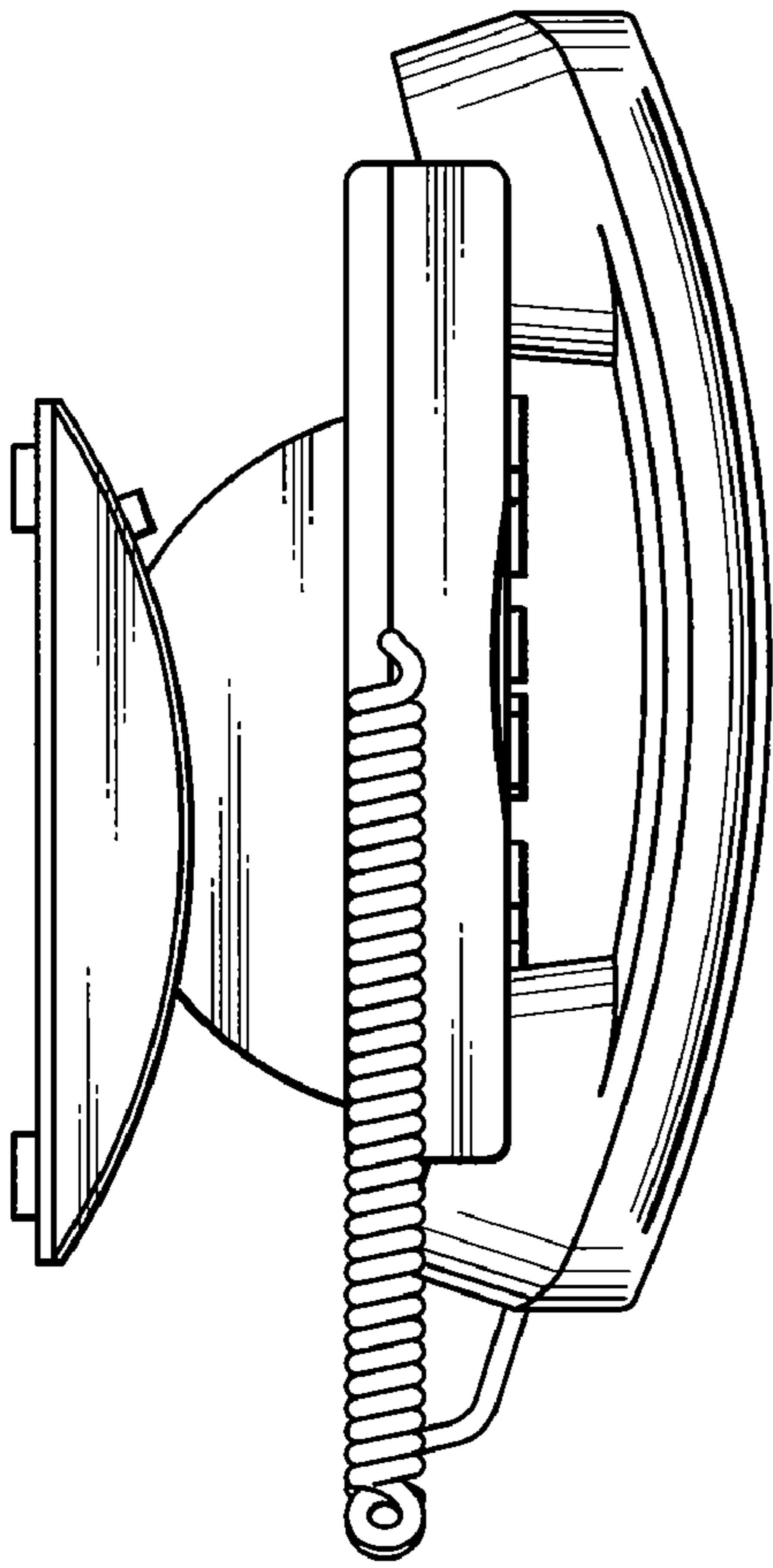


FIG. 7

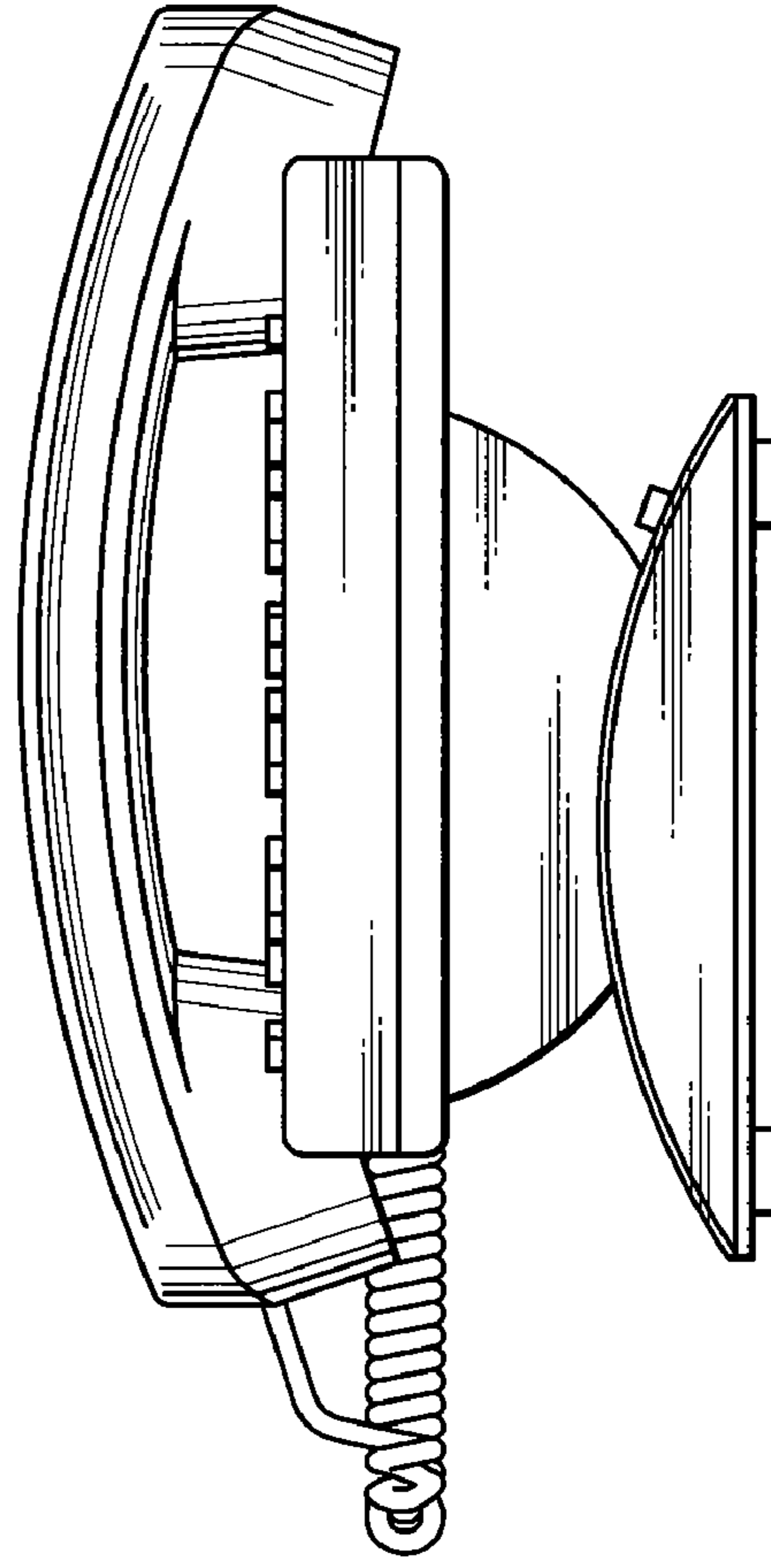


FIG. 8

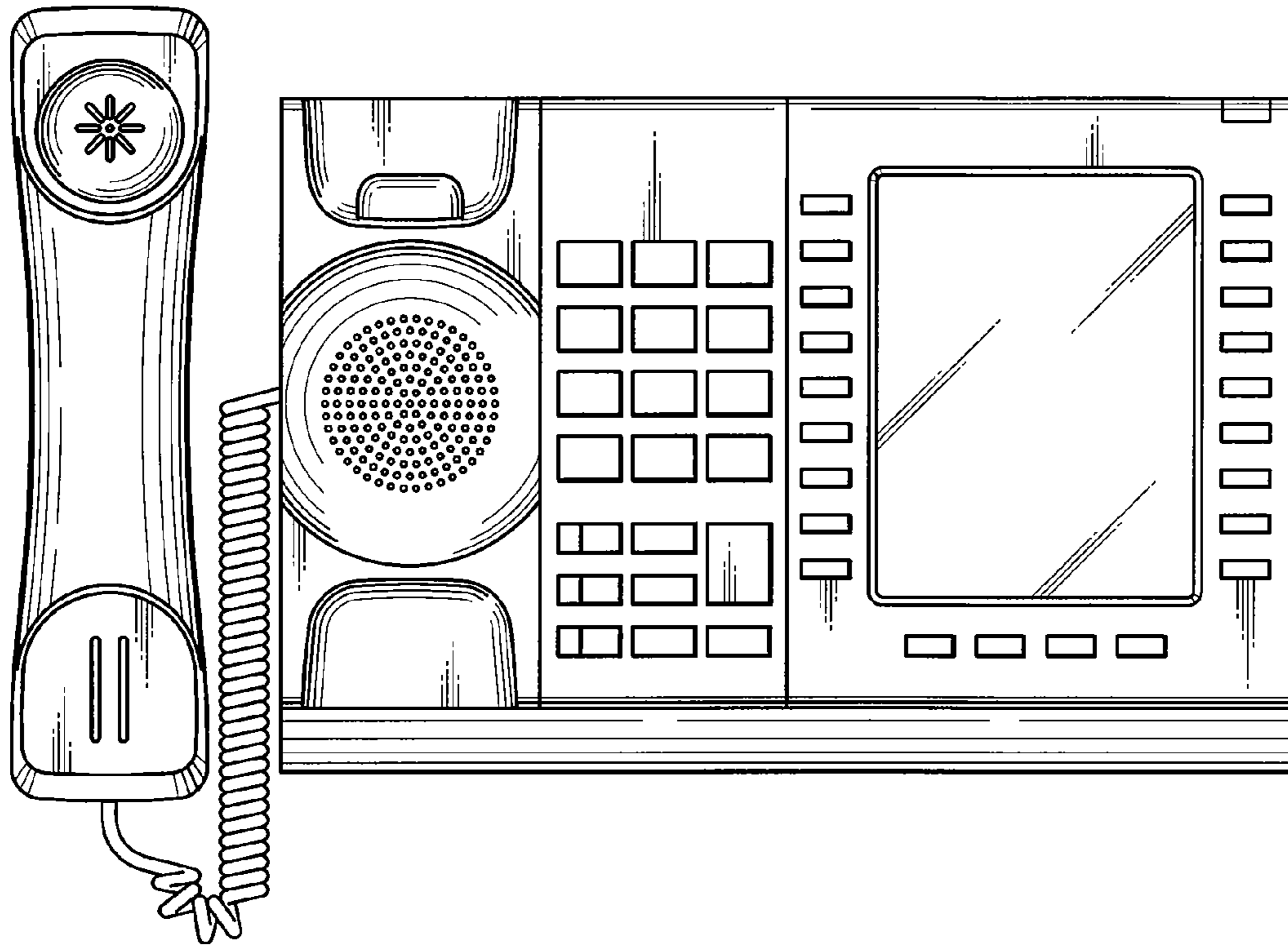


FIG. 9

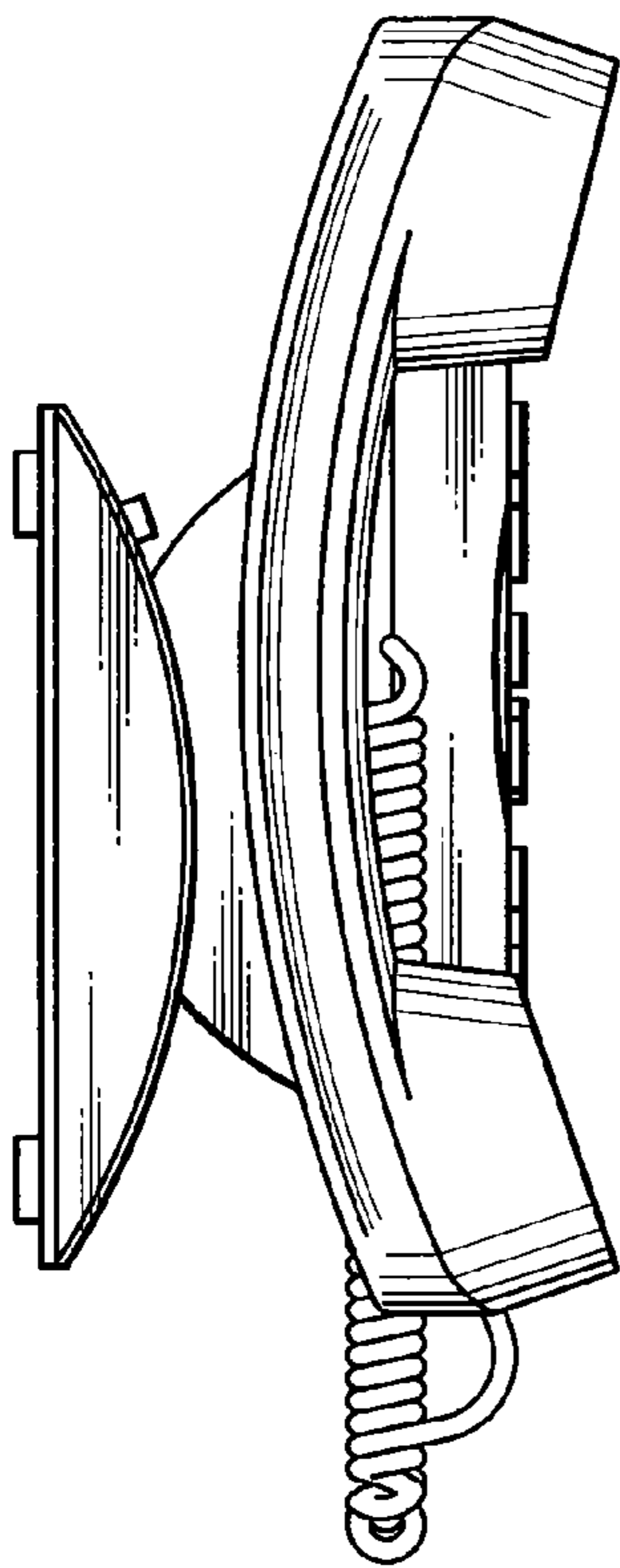


FIG. 10

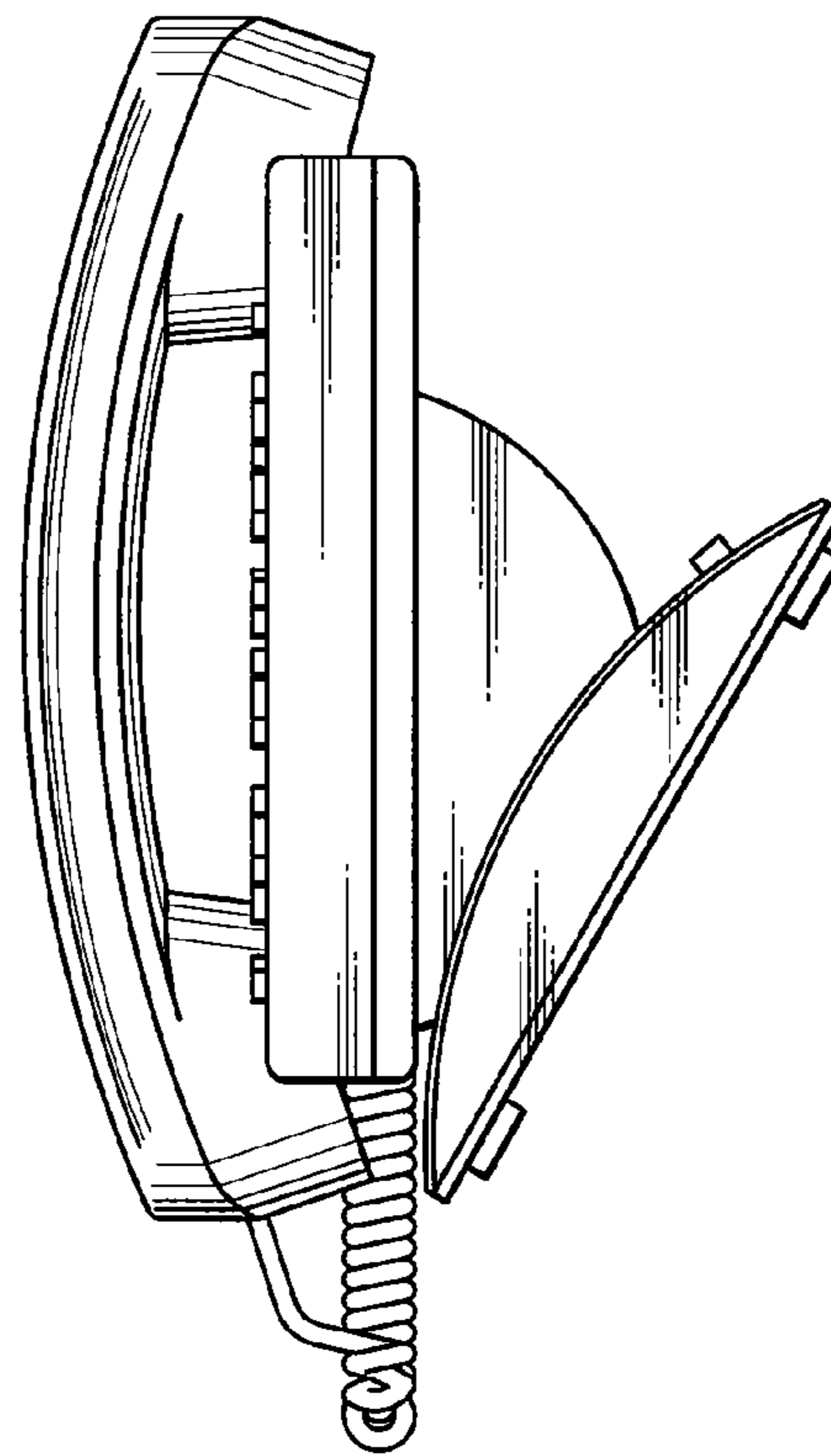


FIG. 11