

US00D562302S

(12) **United States Design Patent**
Franck et al.

(10) **Patent No.:** **US D562,302 S**

(45) **Date of Patent:** **** Feb. 19, 2008**

(54) **PHONE BASE**

(75) Inventors: **Christopher G. Franck**, Decatur, GA (US); **Nate Lynch**, Chicago, IL (US)

(73) Assignee: **General Instrument Corporation**, Horsham, PA (US)

(**) Term: **14 Years**

(21) Appl. No.: **29/275,444**

(22) Filed: **Dec. 27, 2006**

(51) **LOC (8) Cl.** **14-03**

(52) **U.S. Cl.** **D14/149**

(58) **Field of Classification Search** D14/125-130, D14/140-142, 144, 146-151, 240, 243, 248, D14/250-253, 329-330, 496; D13/107-108; 320/110, 113-115; 348/14.01-14.06; 379/88.17, 379/90.01, 93.17, 419-420.04, 428.01-428.04, 379/434-436, 440, 446, 454-455; 455/550.1-90.3; D21/405, 517

See application file for complete search history.

(56) **References Cited**

U.S. PATENT DOCUMENTS

D298,119 S *	10/1988	Richards et al.	D13/108
D329,221 S *	9/1992	Khoo	D13/107
D368,713 S *	4/1996	Tomlinson et al.	D14/150
D381,656 S *	7/1997	Biskup et al.	D14/149
D401,579 S *	11/1998	Benjamin et al.	D14/149
5,939,860 A *	8/1999	William	320/114
6,014,011 A *	1/2000	DeFelice et al.	320/114
D456,795 S *	5/2002	Hughes et al.	D14/149

D457,868 S *	5/2002	Shintani	D14/149
D495,312 S *	8/2004	Fitzgerald	D14/147
D512,041 S *	11/2005	La Course	D14/149
D512,703 S *	12/2005	Ookawa	D14/149
D537,806 S *	3/2007	Beasley et al.	D14/149

FOREIGN PATENT DOCUMENTS

WO DM/050606 * 11/1999

* cited by examiner

Primary Examiner—Charles A. Rademaker

Assistant Examiner—Carla Jobe Wright

(74) *Attorney, Agent, or Firm*—Stewart M. Wiener

(57) **CLAIM**

The ornamental design for a phone base, as shown and described.

DESCRIPTION

FIG. 1 is a perspective view of a phone base showing our new design;

FIG. 2 is a front view of the phone base of FIG. 1;

FIG. 3 is a top view of the phone base of FIG. 1;

FIG. 4 is a side view of the phone base of FIG. 1;

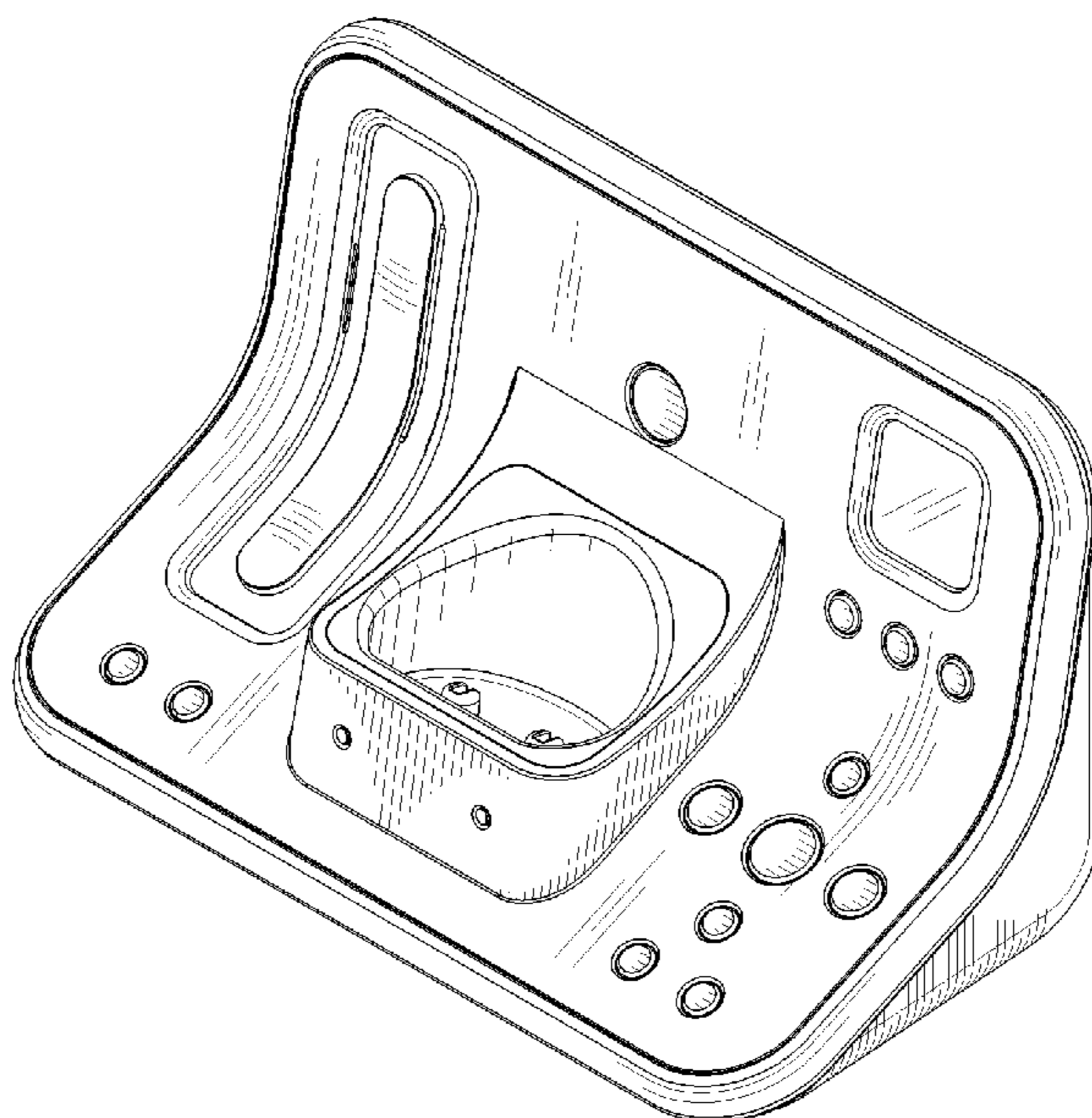
FIG. 5 is a side view of the phone base of FIG. 1;

FIG. 6 is a rear view of the phone base of FIG. 1; and,

FIG. 7 is a bottom view of the phone base of FIG. 1.

The broken line showing of environmental structures is for illustrative purposes only and forms no part of the claimed design.

1 Claim, 3 Drawing Sheets



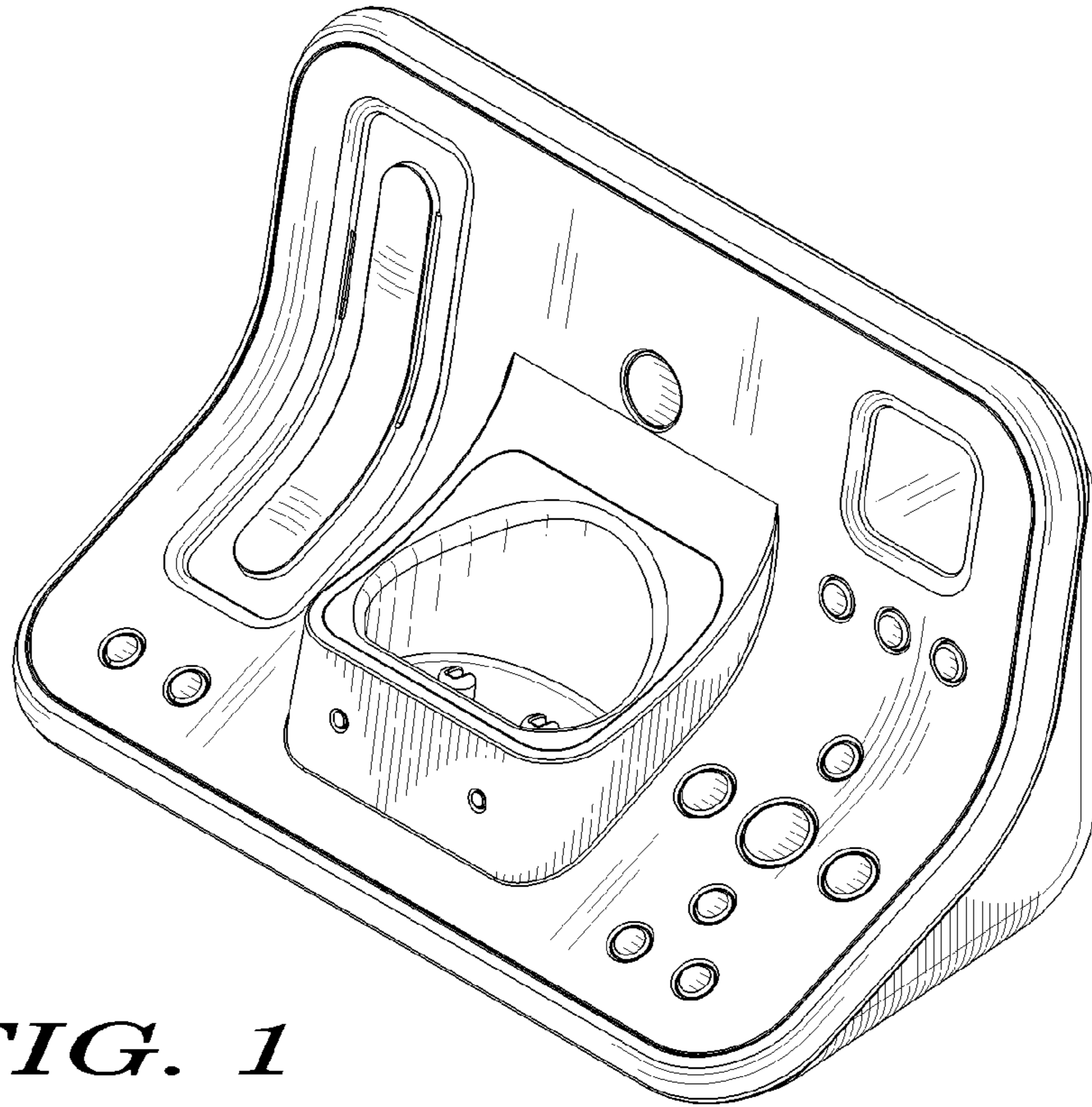
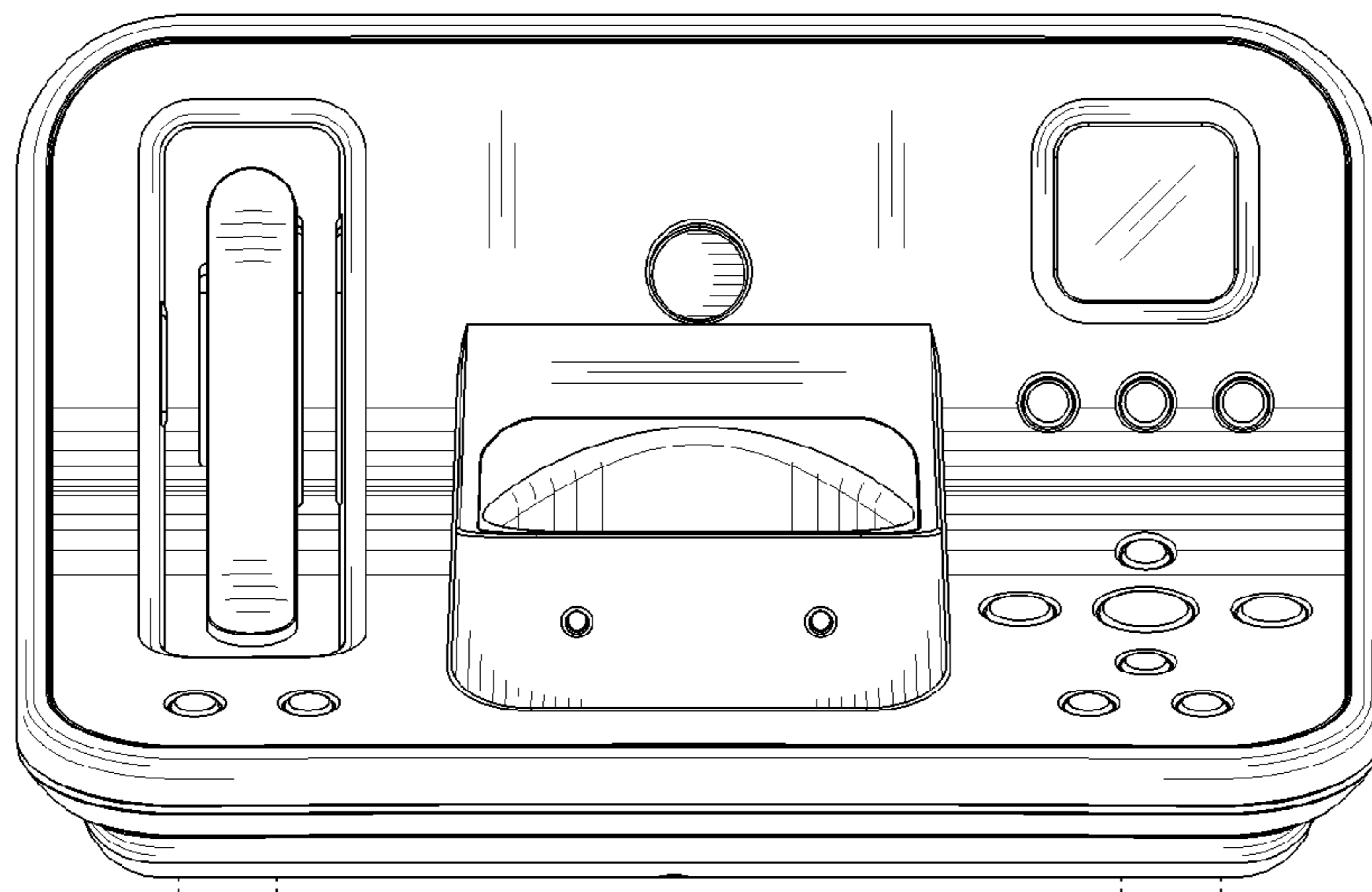


FIG. 1

FIG. 2



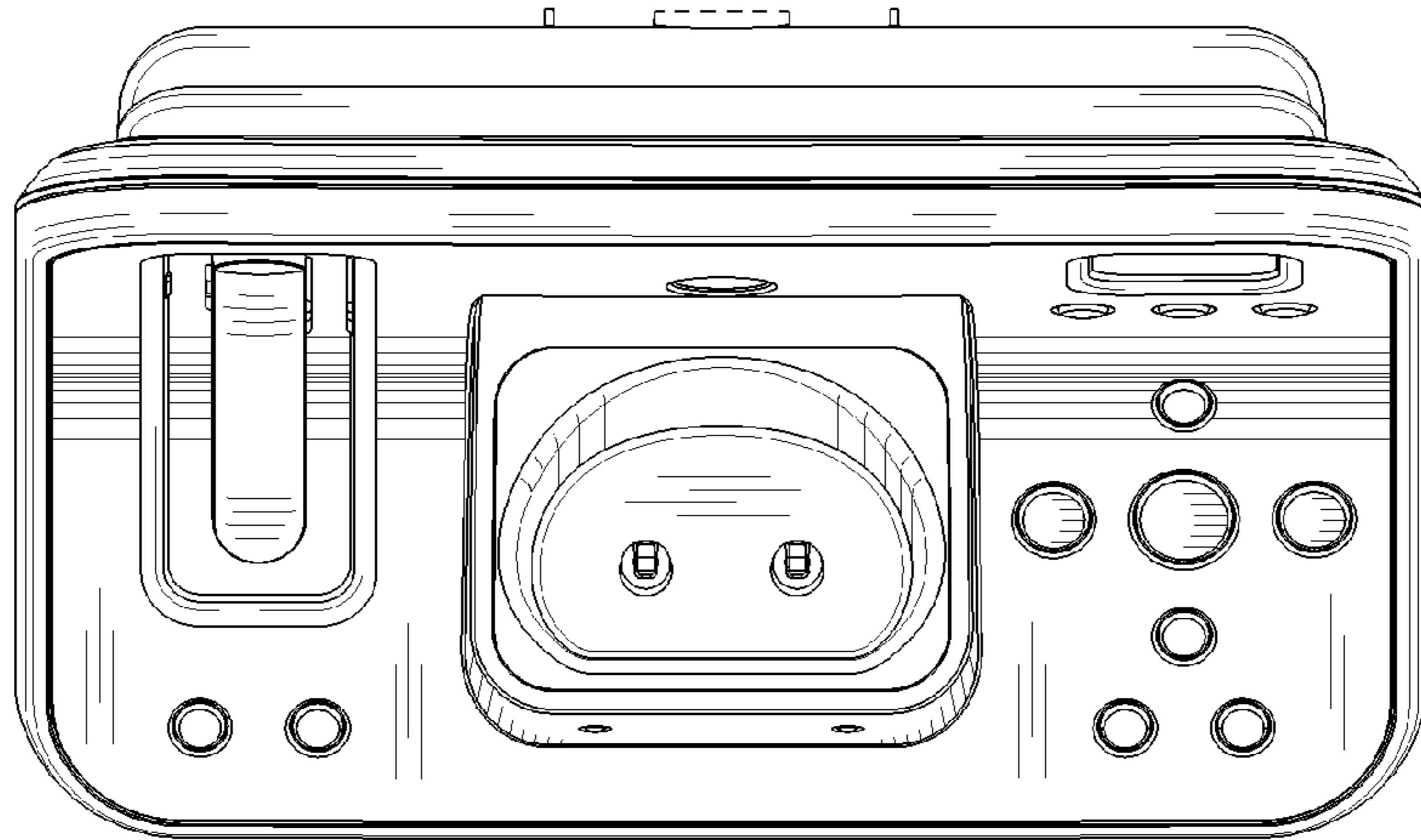


FIG. 3

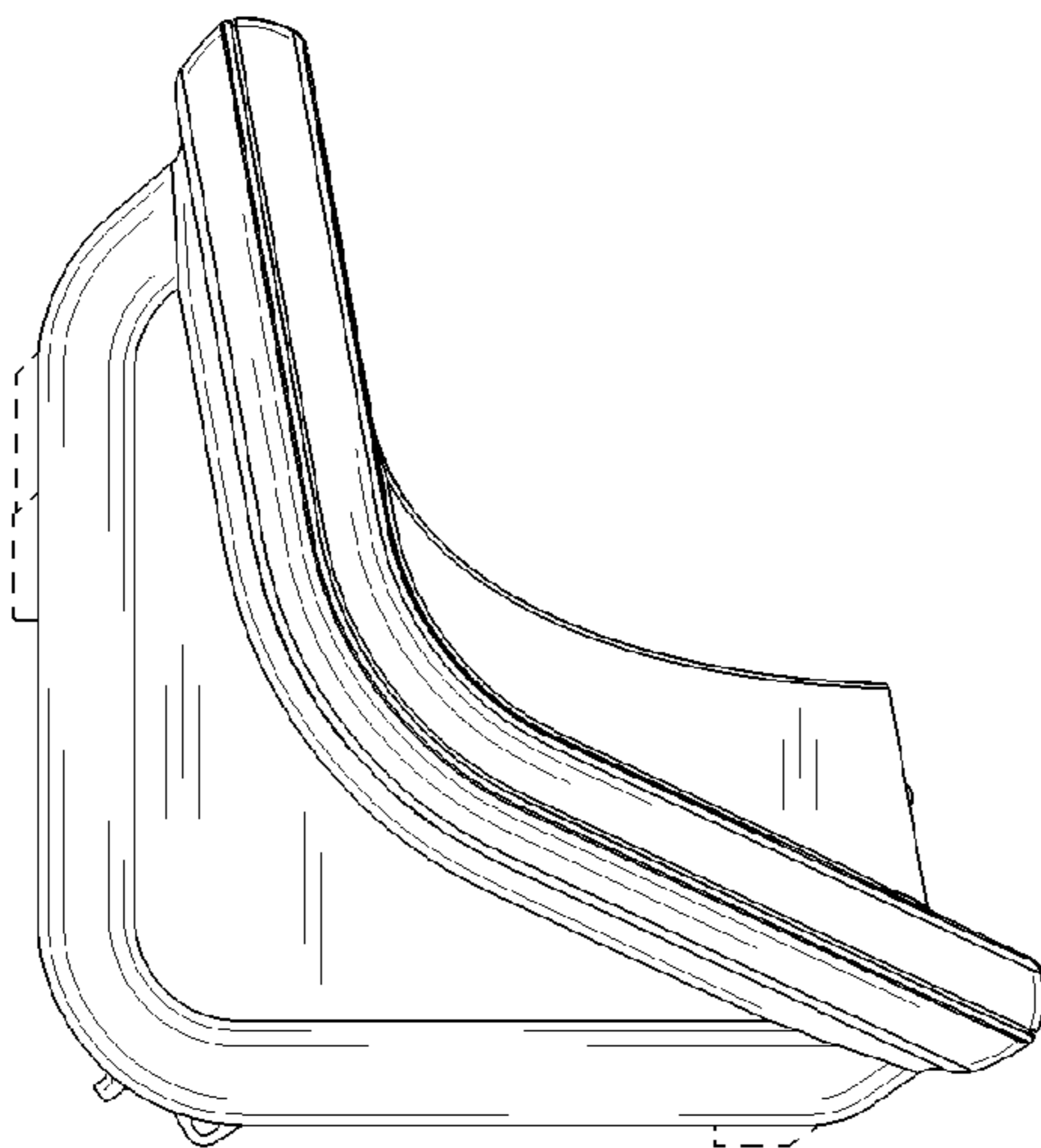


FIG. 4

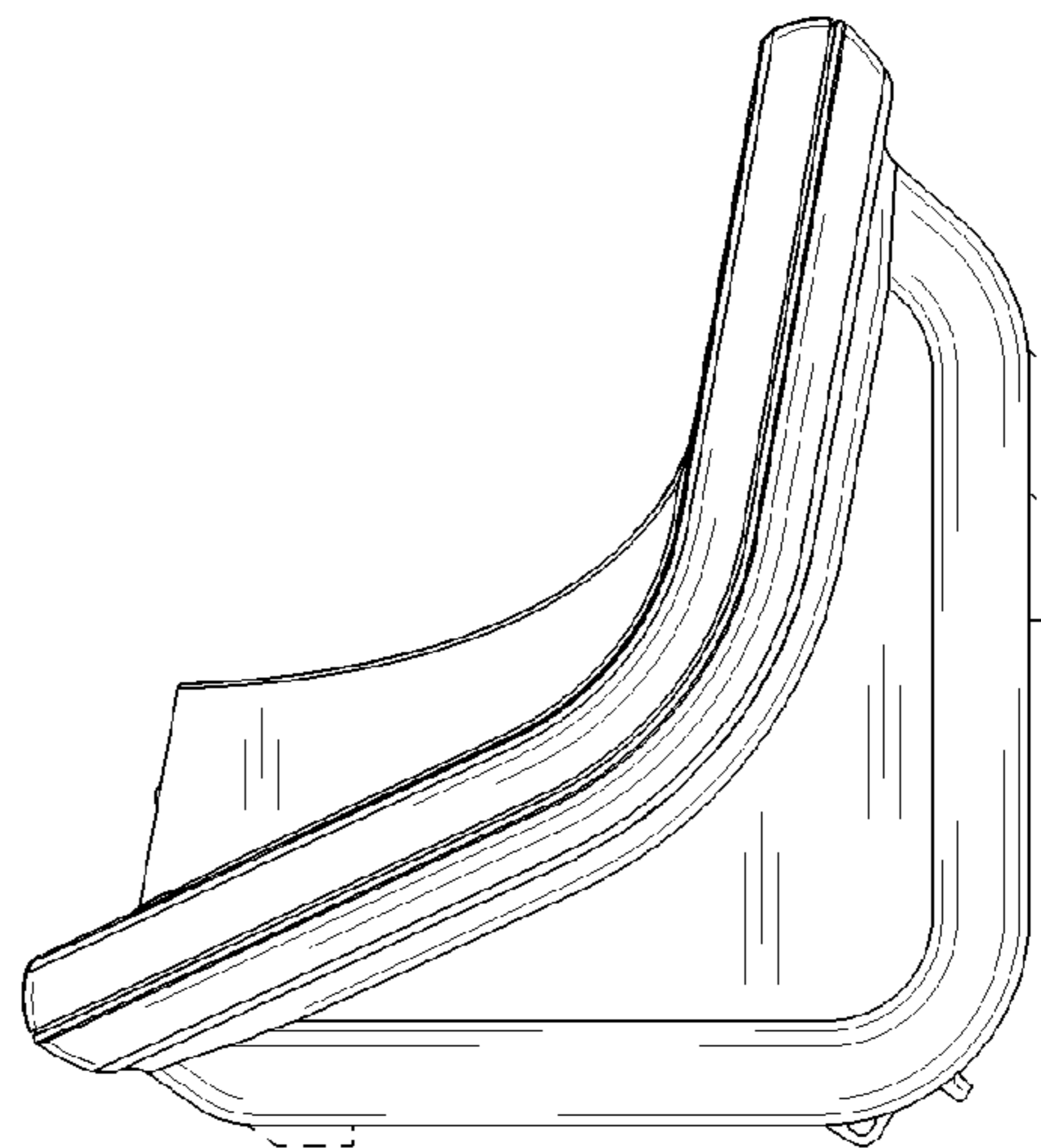


FIG. 5

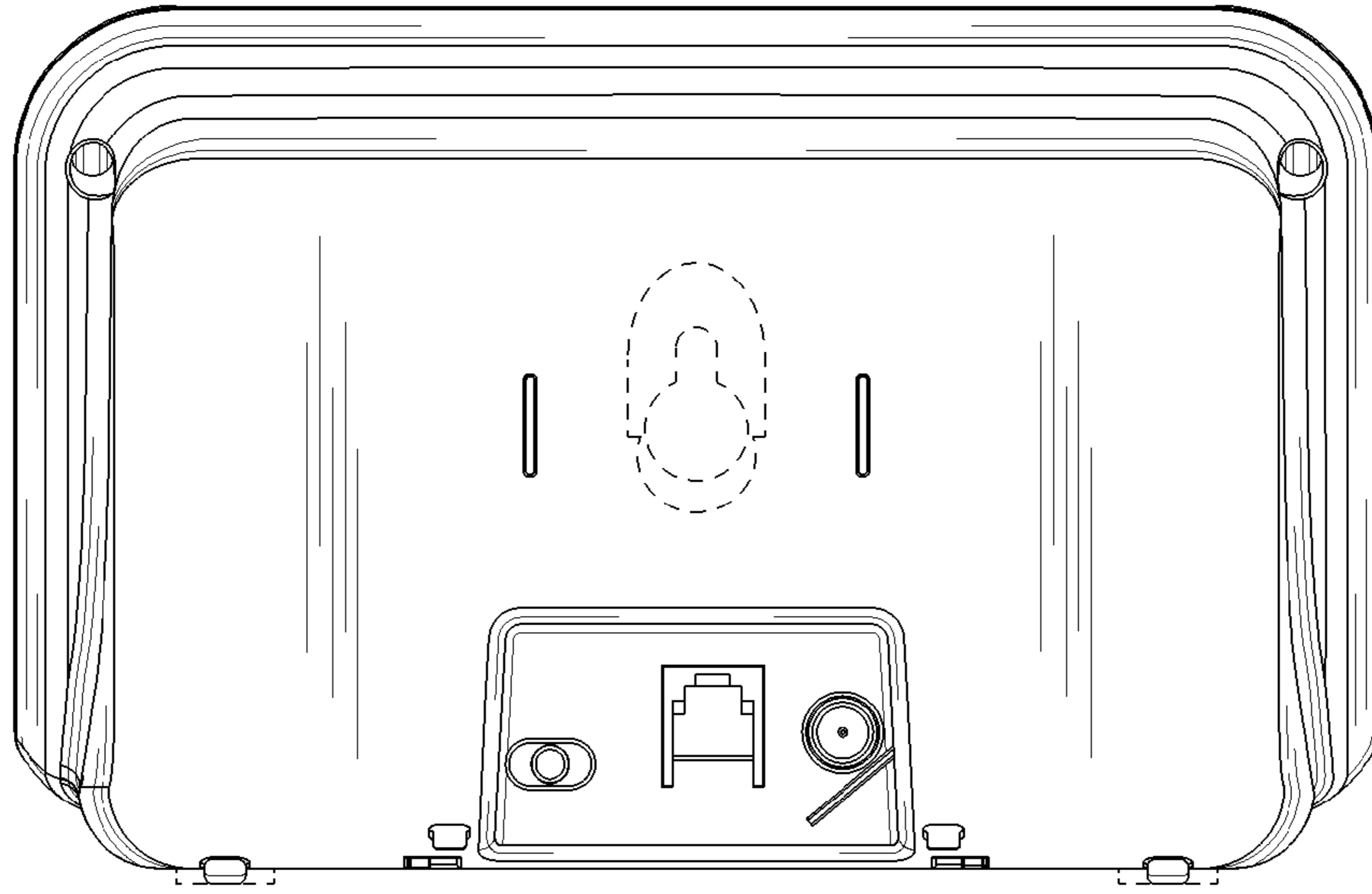


FIG. 6

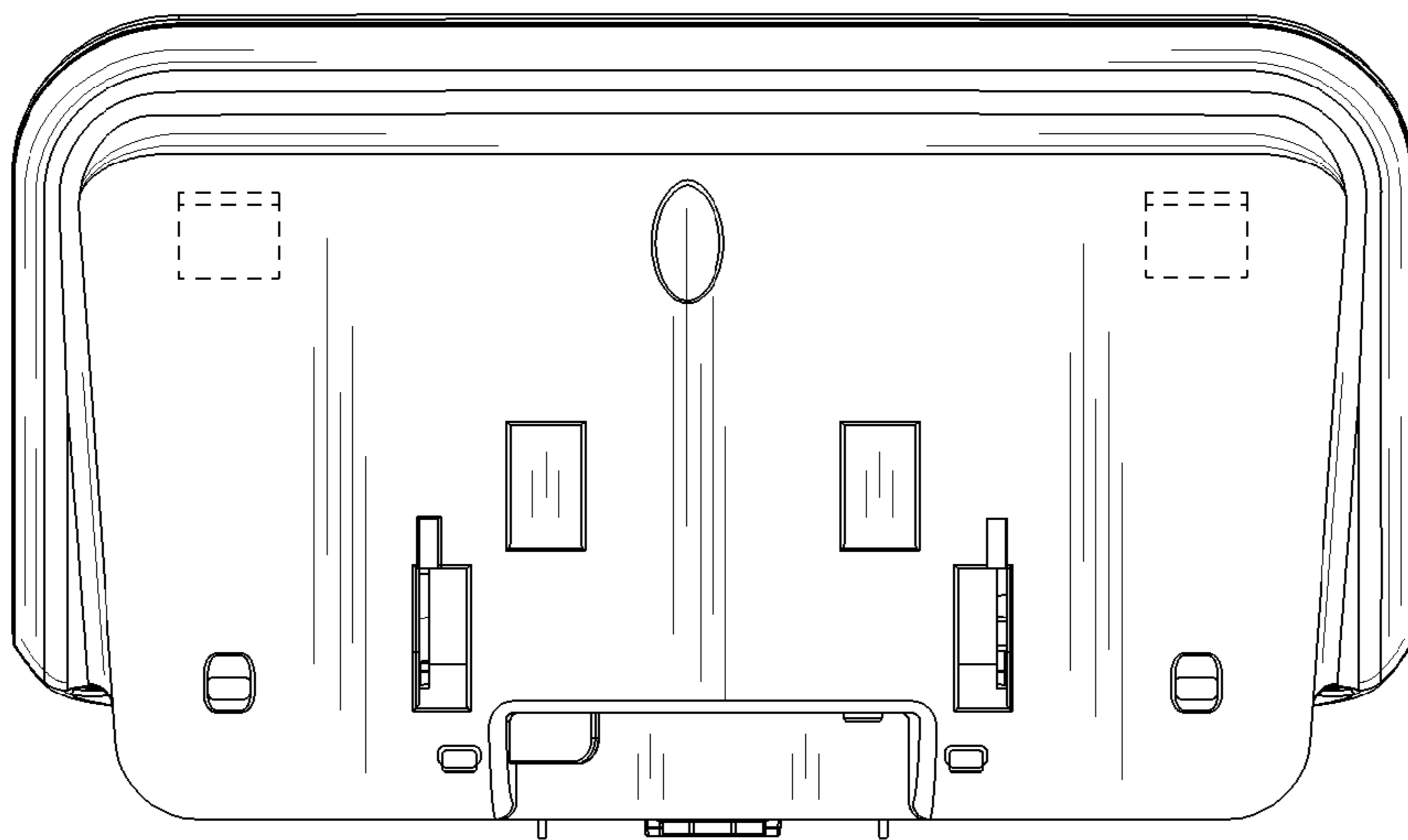


FIG. 7