

US00D562289S

(12) **United States Design Patent**
Suk et al.

(10) **Patent No.:** **US D562,289 S**
(45) **Date of Patent:** **** Feb. 19, 2008**

(54) **MOBILE PHONE**

(75) Inventors: **Chang-Hoon Suk**, Seoul (KR);
Beom-Ku Han, Seoul (KR);
Chang-Soo Lee, Incheon (KR)

(73) Assignee: **Samsung Electronics Co., Ltd.**,
Suwon-Si (KR)

(**) Term: **14 Years**

(21) Appl. No.: **29/272,152**

(22) Filed: **Feb. 2, 2007**

(30) **Foreign Application Priority Data**

Nov. 20, 2006 (KR) 30-2006-0046029

(51) **LOC (8) Cl.** **14-03**

(52) **U.S. Cl.** **D14/138**

(58) **Field of Classification Search** D14/137,
D14/138, 147, 218, 247-248, 341-347, 496;
455/90.3, 556.1, 556.2, 575.1, 575.3, 575.4;
379/433.01-433.13; 361/814; 348/14.02
See application file for complete search history.

(56) **References Cited**

U.S. PATENT DOCUMENTS

D198,085 S *	4/1964	Rich	D14/218
D349,118 S *	7/1994	Yuen	D14/218
6,118,986 A *	9/2000	Harris et al.	455/575.3
D434,034 S *	11/2000	Burke et al.	D14/341
6,308,084 B1 *	10/2001	Lonka	455/556.1
D457,883 S *	5/2002	Sugioka et al.	D14/342
6,397,084 B1 *	5/2002	Wicks et al.	455/566
D466,096 S *	11/2002	Takada	D14/138
D476,328 S *	6/2003	Miao et al.	D14/346
D479,215 S *	9/2003	Yokoyama	D14/138
D489,717 S *	5/2004	Hsieh	D14/341
6,775,560 B2 *	8/2004	King et al.	455/566
D504,120 S *	4/2005	Edoff	D14/138
D515,527 S *	2/2006	Swallow	D14/137
D517,038 S *	3/2006	Lee et al.	D14/138
D519,998 S *	5/2006	Park	D14/346
D525,230 S *	7/2006	Kim et al.	D14/138

D526,300 S *	8/2006	Lee	D14/138
D534,144 S *	12/2006	Chung et al.	D14/138
D534,145 S *	12/2006	Lheem	D14/138
7,184,802 B2 *	2/2007	Chadha	455/575.1
D546,345 S *	7/2007	Kim et al.	D14/496
D547,296 S *	7/2007	Lin	D14/138
D547,330 S *	7/2007	Lee	D14/496
2004/0067768 A1 *	4/2004	King et al.	455/556.1
2006/0205447 A1 *	9/2006	Park et al.	455/575.1

FOREIGN PATENT DOCUMENTS

TW	D105261	6/2005
TW	D115350	2/2007
TW	D118093	7/2007
TW	D118554	8/2007

OTHER PUBLICATIONS

LG KU580, announced Apr. 2007, [online], [retrieved on May 18, 2007]. Retrieved from Internet ,<URL: <http://www.gsmarena.com>>.*

(Continued)

Primary Examiner—Jeffrey Asch
Assistant Examiner—Bridget L Eland
(74) *Attorney, Agent, or Firm*—Staas & Halsey LLP

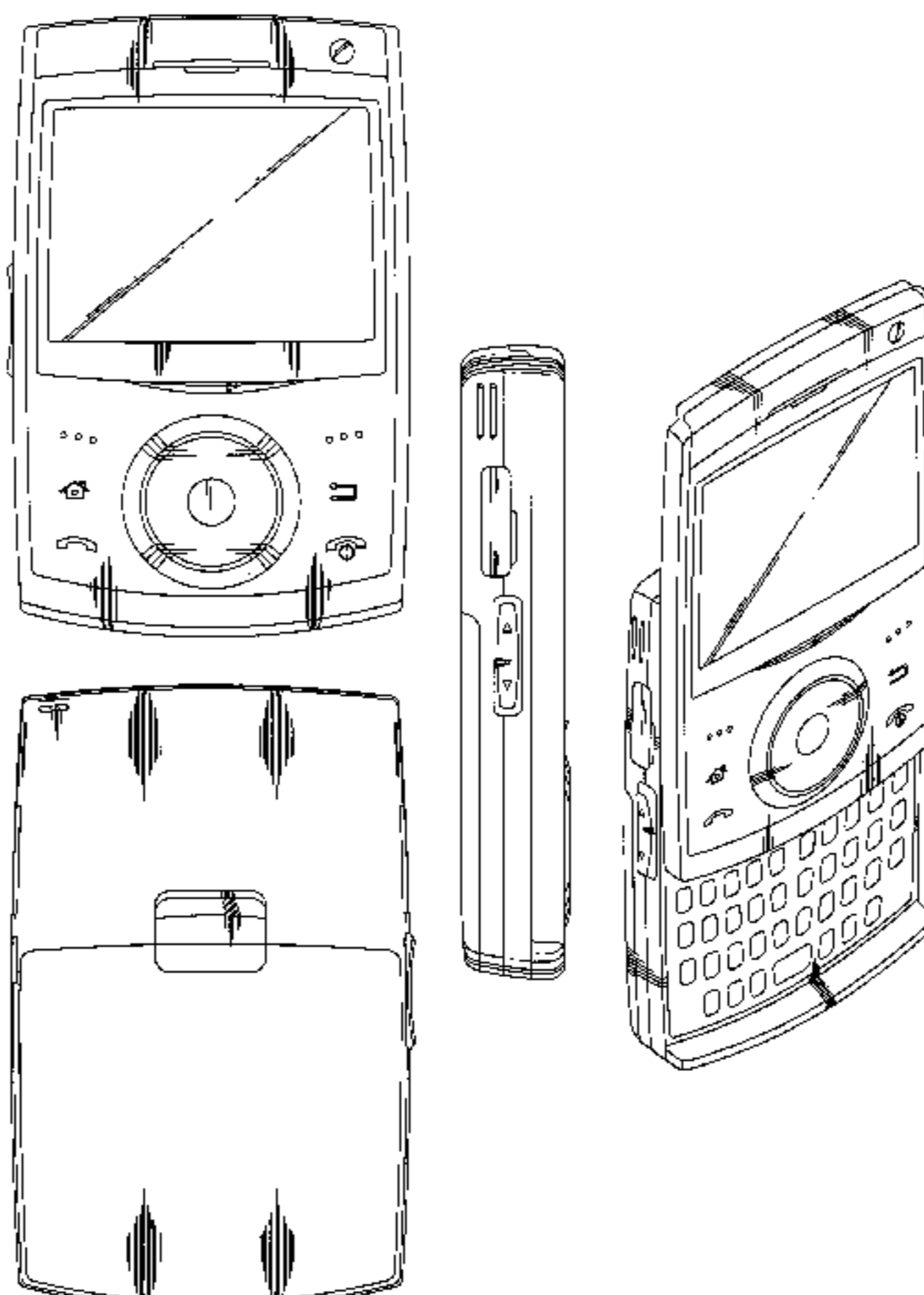
(57) **CLAIM**

The ornamental design for the mobile phone, as shown and described.

DESCRIPTION

FIG. 1 is a perspective view of a mobile phone;
FIG. 2 is a front view of the mobile phone of FIG. 1;
FIG. 3 is a rear view of the mobile phone of FIG. 1;
FIG. 4 is a left-side view of the mobile phone of FIG. 1;
FIG. 5 is a right-side view of the mobile phone of FIG. 1;
FIG. 6 is a top plan view of the mobile phone of FIG. 1;
FIG. 7 is a bottom plan view of the mobile phone of FIG. 1;
FIG. 8 is an open perspective view of the mobile phone of FIG. 1; and,
FIG. 9 is an open rear view of the mobile phone of FIG. 1.

1 Claim, 7 Drawing Sheets



OTHER PUBLICATIONS

Samsung i520, announced Feb. 2007, [online], [retrieved on Feb. 16, 2007]. Retrieved from Internet ,<URL: <http://www.gsmarena.com>>.*

Samsung Z650i, announced Oct. 2006, [online], [retrieved on Feb. 8, 2007]. Retrieved from Internet ,<URL: <http://www.gsmarena.com>>.*

Samsung i620, announced Jun. 2007, [online], [retrieved on Aug. 6, 2007]. Retrieved from Internet ,<URL: <http://www.gsmarena.com>>.*

Journal of Call Fashion Communication, Jun. 2006, Cover Page and p. 100.

Taiwanese Patent Office Action, mailed Nov. 15, 2007 and issued in corresponding Taiwanese Design Patent Application No. 096300475.

* cited by examiner

FIG. 1

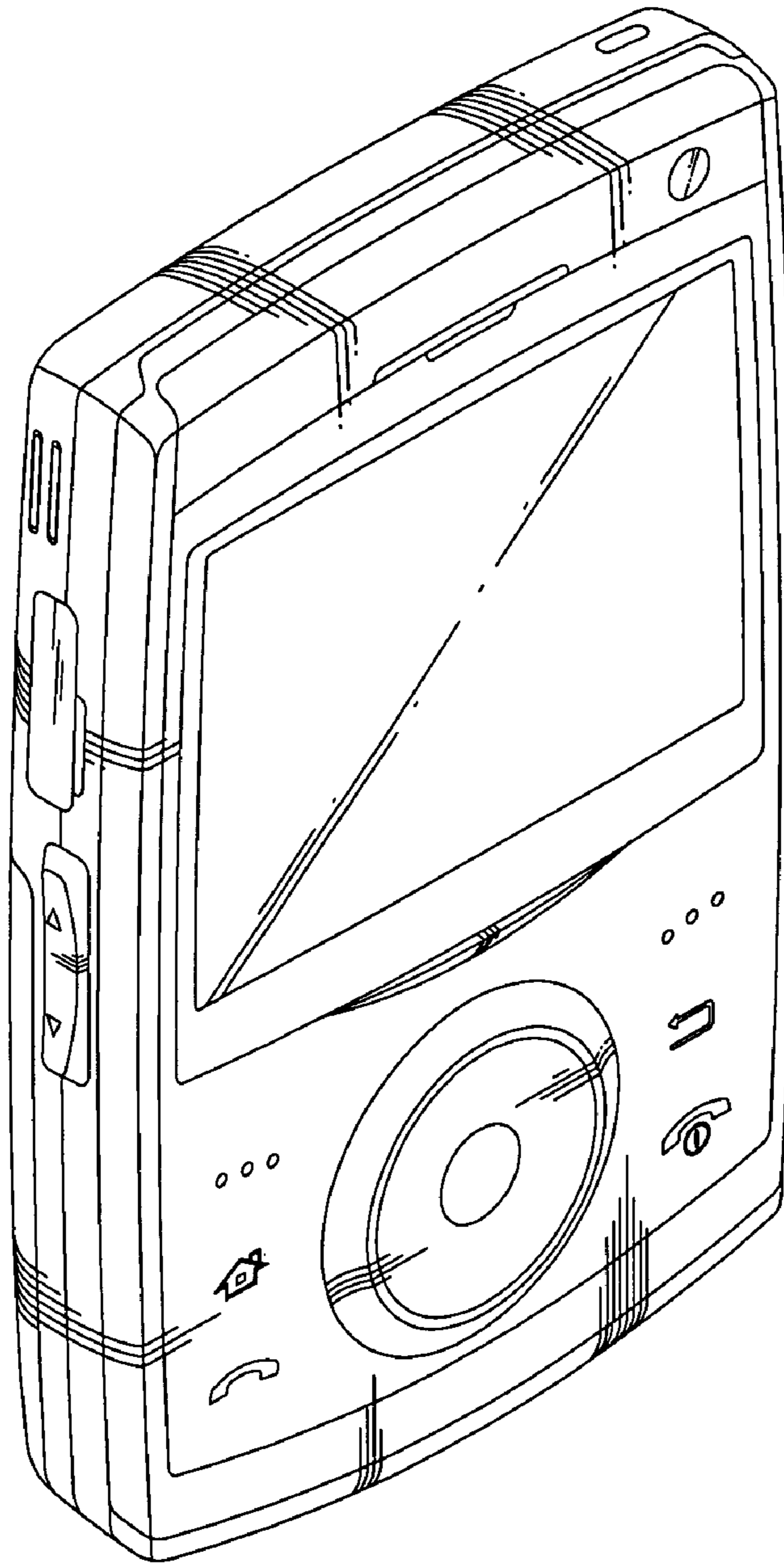


FIG. 2

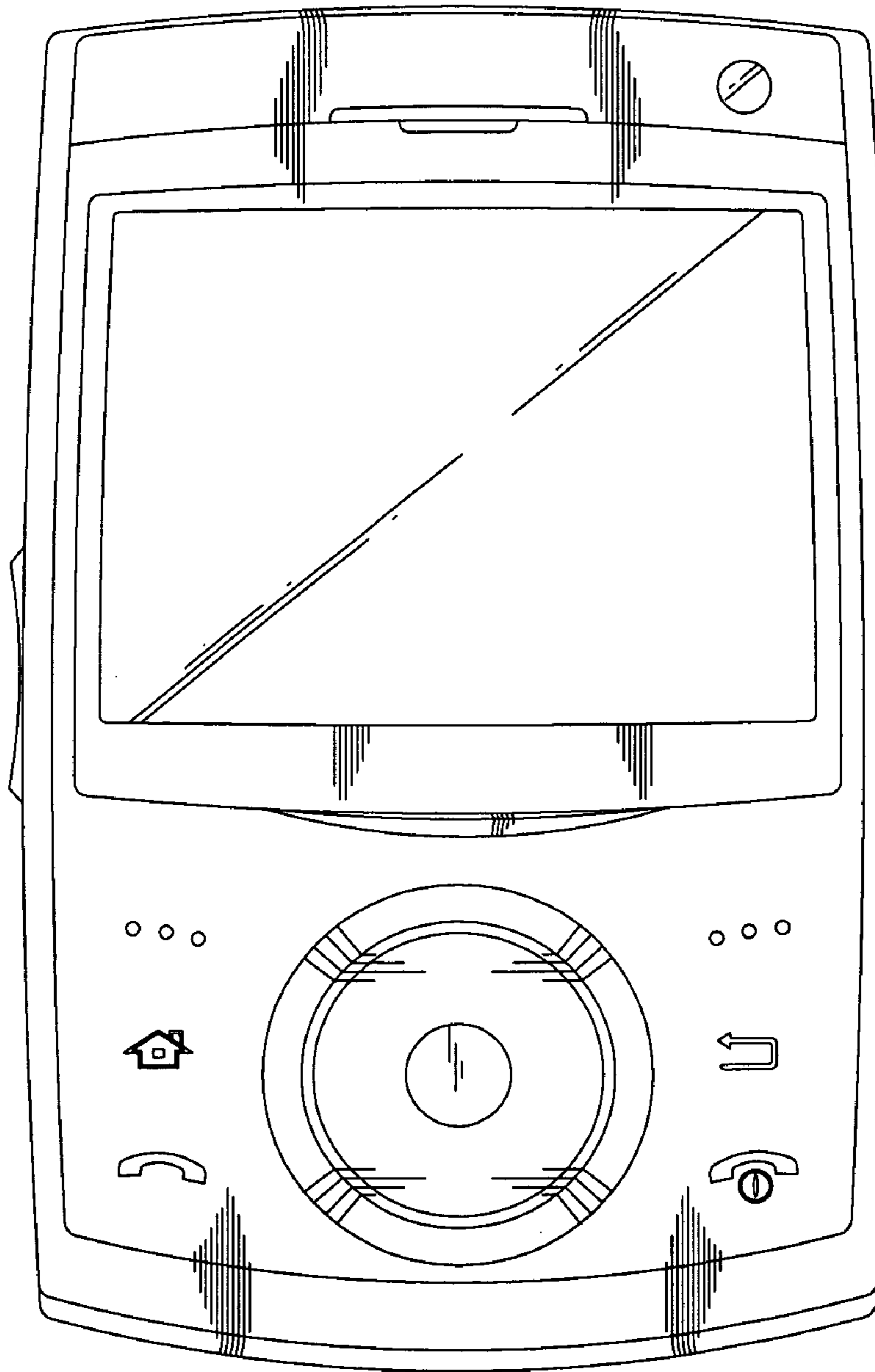


FIG. 3

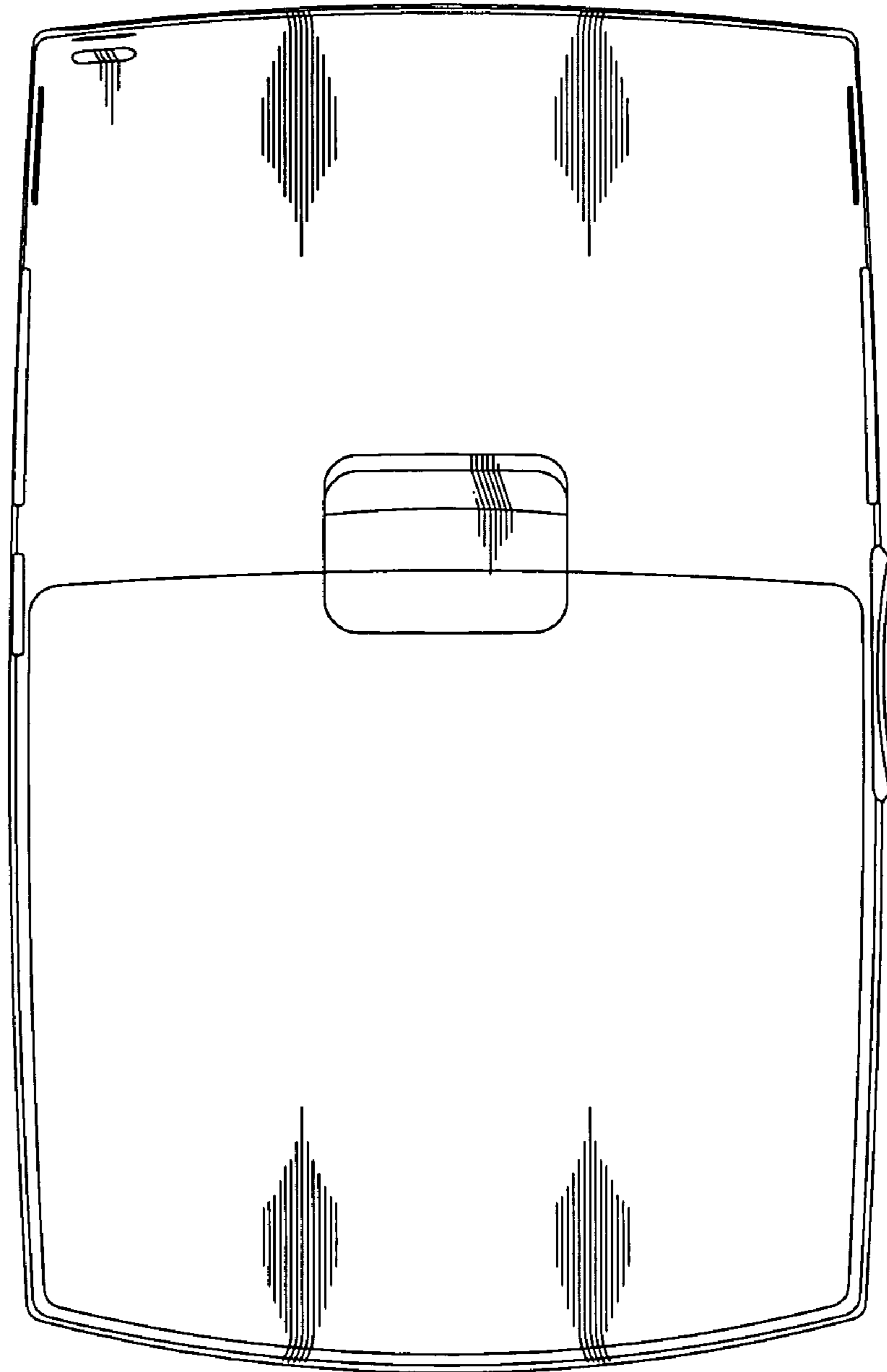


FIG. 4

FIG. 5

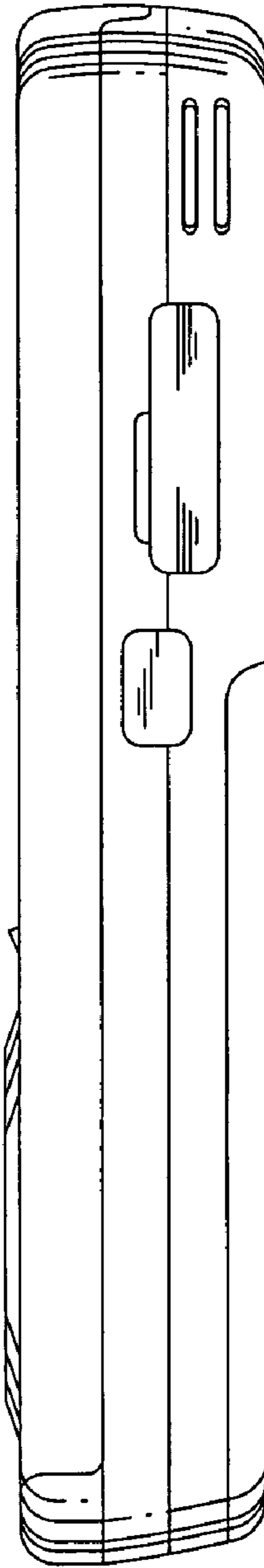
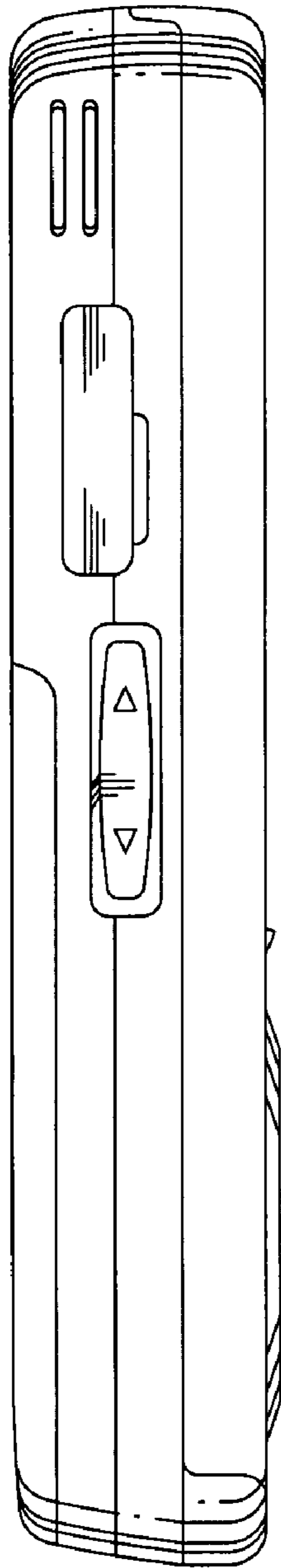


FIG. 6

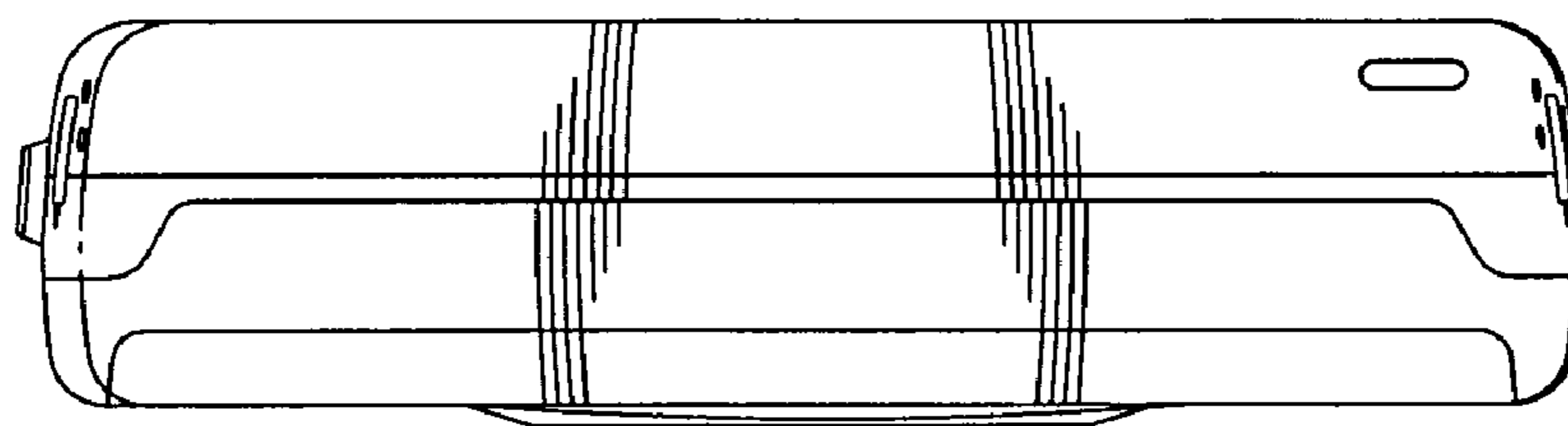


FIG. 7

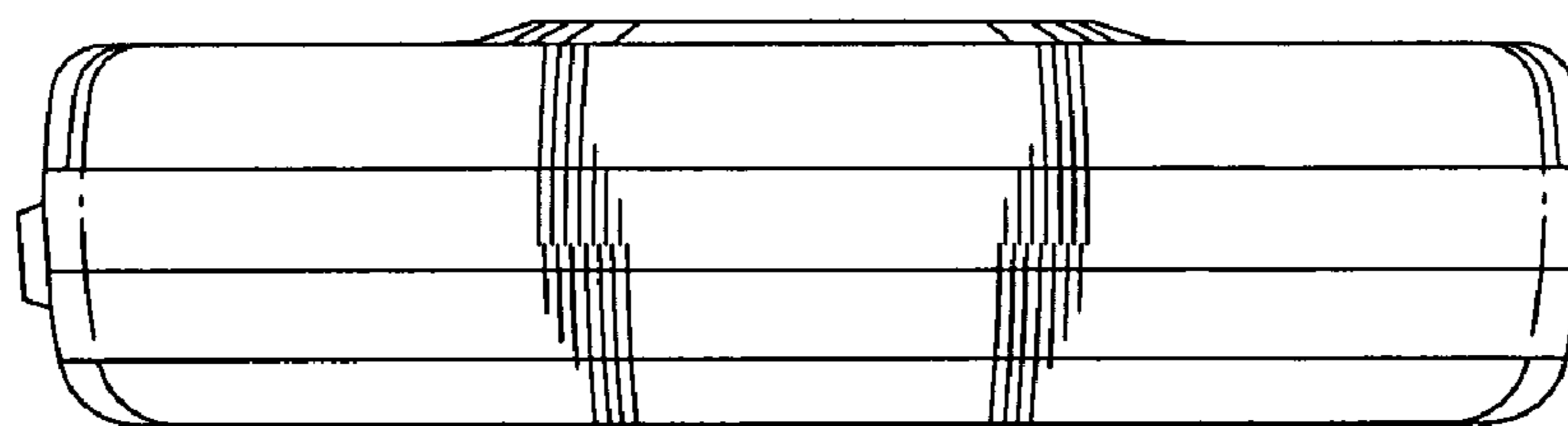


FIG. 8

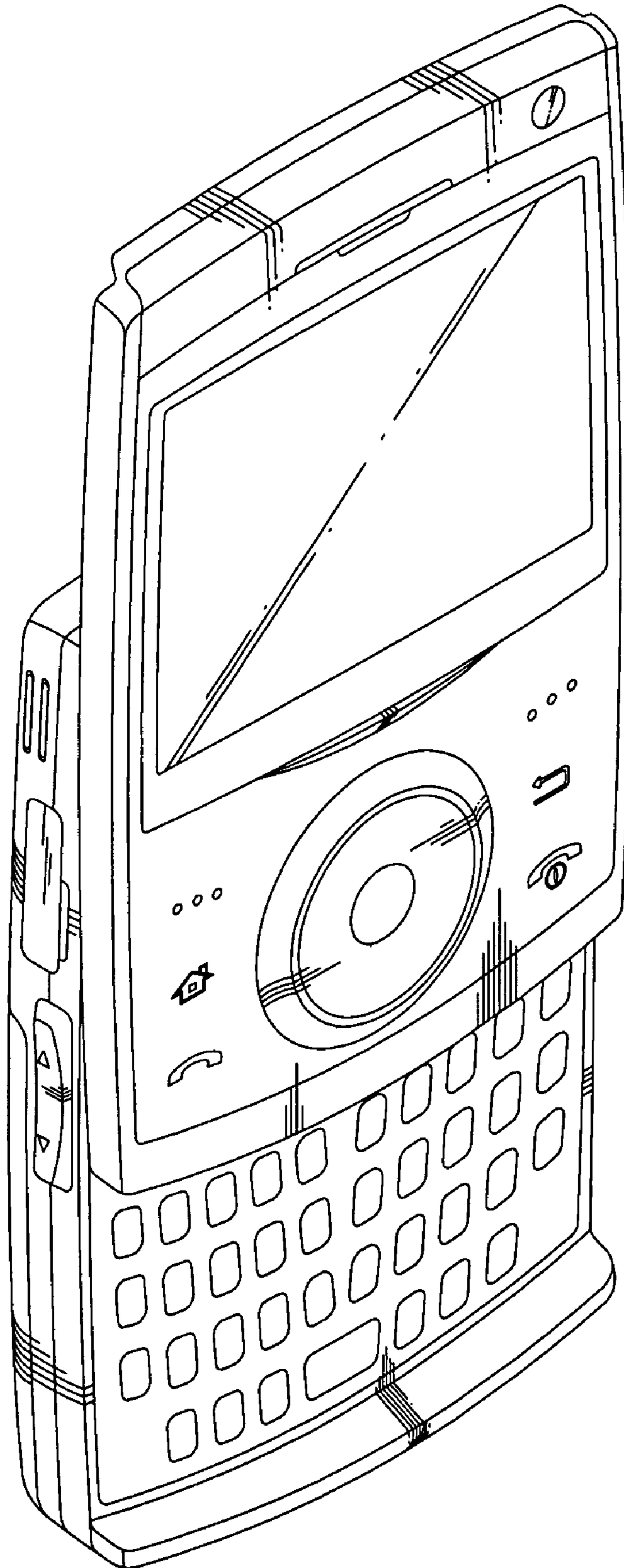


FIG. 9

