



US00D562278S

(12) **United States Design Patent**  
**Kim et al.**

(10) **Patent No.:** **US D562,278 S**  
(45) **Date of Patent:** **\*\* Feb. 19, 2008**

(54) **PORTABLE PHONE**

WO DM/068244 \* 6/2006

(75) Inventors: **Young-Sae Kim**, Palo Alto, CA (US);  
**Young-Ju Yeo**, Gangnam-gu (KR);  
**Chi-Young Ahn**, Seodaemun-gu (KR);  
**Chang-Hwan Hwang**, Goyang-si (KR)

(73) Assignee: **Samsung Electronics Co., Ltd.**,  
Suwon-Si (KR)

(\*\*) Term: **14 Years**

(21) Appl. No.: **29/252,607**

(22) Filed: **Jan. 26, 2006**

(30) **Foreign Application Priority Data**

Aug. 3, 2005 (KR) ..... 30-2005-0026096

(51) **LOC (8) Cl.** ..... **14-03**

(52) **U.S. Cl.** ..... **D14/138**

(58) **Field of Classification Search** ..... D14/496,  
D14/138, 341-347; 455/575.3, 575.1; D21/517,  
D21/329, 333

See application file for complete search history.

(56) **References Cited**

**U.S. PATENT DOCUMENTS**

D495,674 S *	9/2004	Yoo et al.	.....	D14/138
D496,643 S *	9/2004	Yoo et al.	.....	D14/138
D498,736 S *	11/2004	Lee	.....	D14/138
D501,475 S *	2/2005	Kim	.....	D14/346
D506,988 S *	7/2005	Oh	.....	D14/138
D507,252 S *	7/2005	Kim et al.	.....	D14/138
D508,685 S *	8/2005	Kim et al.	.....	D14/138
D509,206 S *	9/2005	Jang	.....	D14/138
D513,244 S *	12/2005	Kim et al.	.....	D14/138
D513,505 S *	1/2006	Lee	.....	D14/138
D518,467 S *	4/2006	Kim et al.	.....	D14/138
D526,635 S *	8/2006	Kim	.....	D14/138

(Continued)

**FOREIGN PATENT DOCUMENTS**

WO DM/067924 \* 3/2006

**OTHER PUBLICATIONS**

Toshiba G500 telephone, announced Feb. 2007, [online], [retrieved on Jun. 27, 2007]. Retrieved from Internet , <URL: <http://www.gsmarena.com>>.\*

Haier N60 telephone, announced 1<sup>st</sup> Quarter 2005, [online], [retrieved on Jun. 28, 2007]. Retrieved from Internet , <URL: <http://www.gsmarena.com>>.\*

*Primary Examiner*—Jeffrey Asch

(74) *Attorney, Agent, or Firm*—Staas & Halsey LLP

(57) **CLAIM**

The ornamental design for the portable phone, as shown and described.

**DESCRIPTION**

FIG. 1 is a perspective view of the portable phone showing our design;

FIG. 2 is a front view thereof;

FIG. 3 is a rear view thereof;

FIG. 4 is a left side view thereof;

FIG. 5 is a right side view thereof;

FIG. 6 is a top plan view thereof;

FIG. 7 is a bottom plan view thereof;

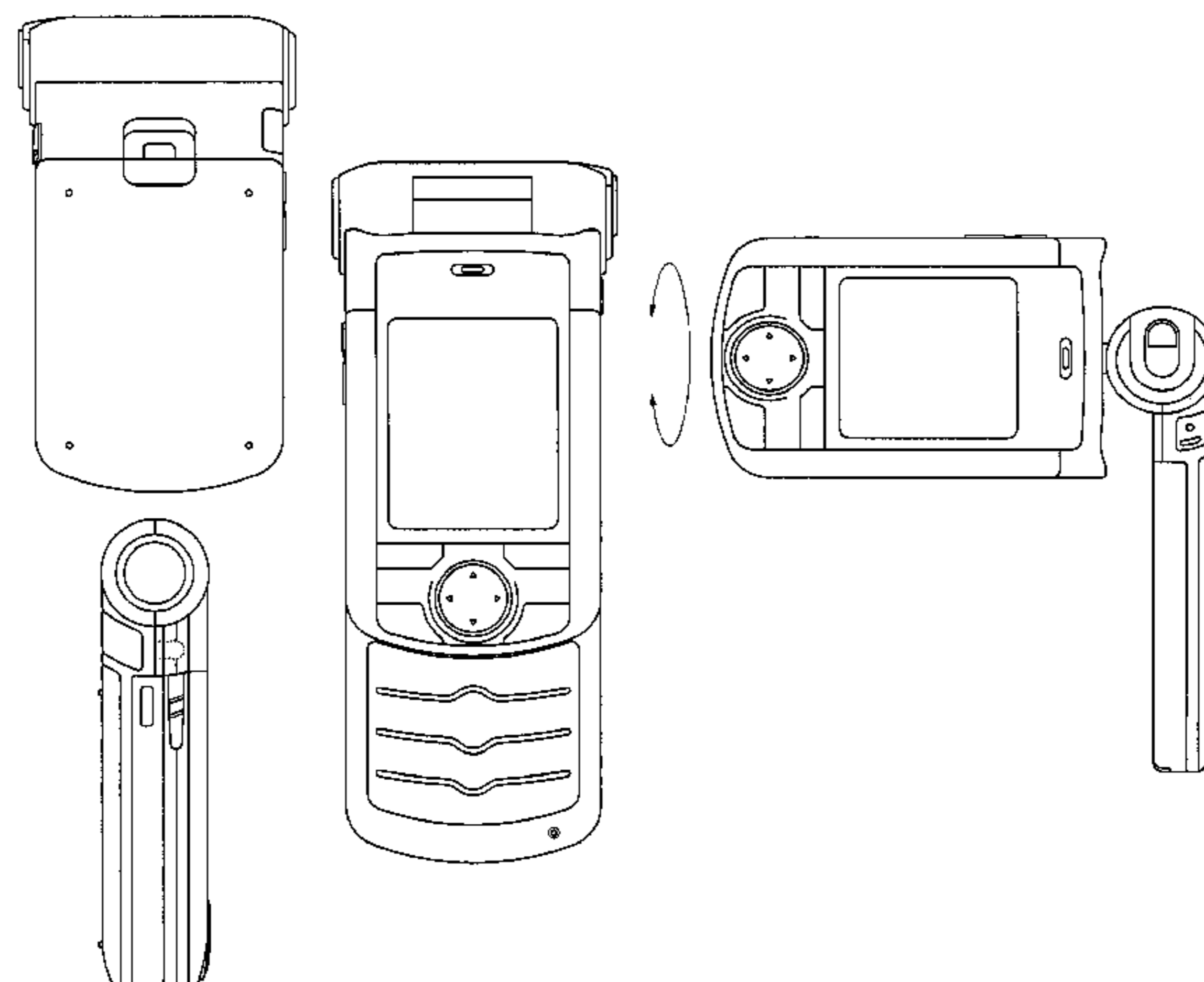
FIG. 8 is a front view thereof with the keypad slid downward;

FIG. 9 is a right side view thereof with the keypad slid downward; and,

FIG. 10 is a right side, open view thereof with the front cover rotated to an alternate position.

The broken line showing of the feature at the left side is for illustrative purposes only and forms no part of the claimed design.

**1 Claim, 7 Drawing Sheets**



# US D562,278 S

Page 2

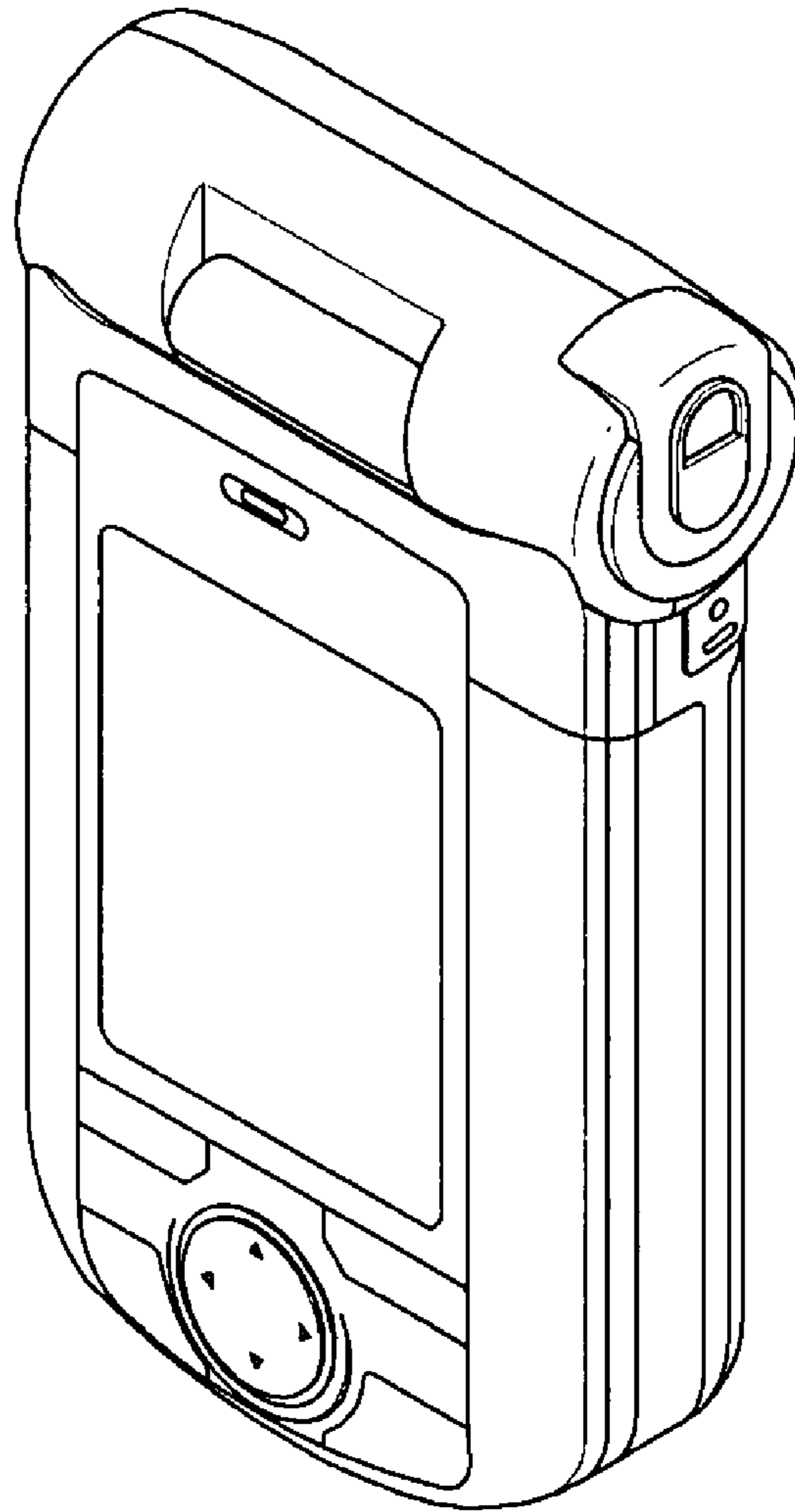
---

## U.S. PATENT DOCUMENTS

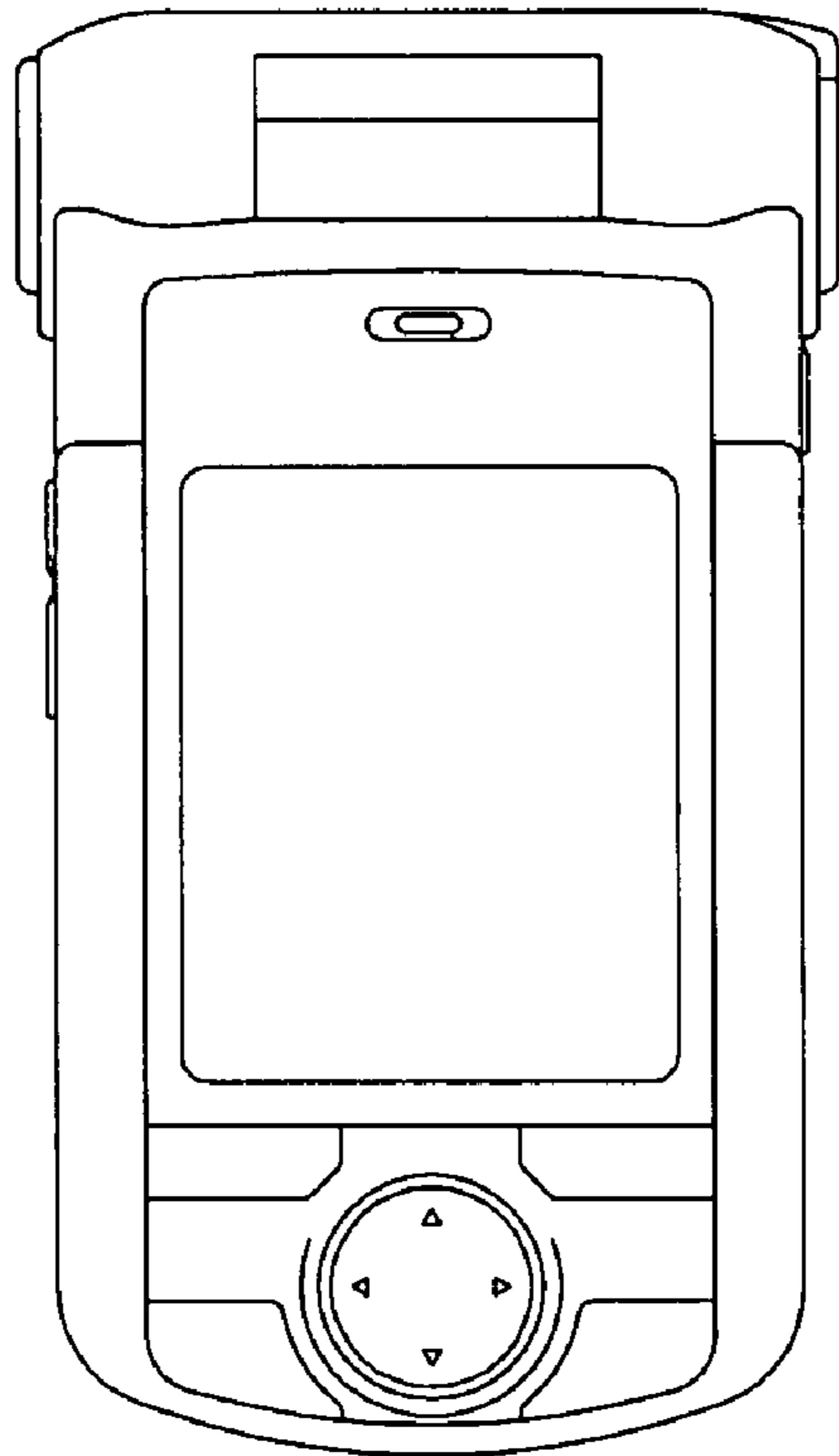
D531,973 S *	11/2006	Kim et al. ....	D14/138	D542,755 S *	5/2007	Choi et al. ....	D14/138
D535,959 S *	1/2007	Cho et al. ....	D14/138	D543,175 S *	5/2007	Park et al. ....	D14/138
D536,690 S *	2/2007	Lee .....	D14/138	D543,185 S *	5/2007	Moon et al. ....	D14/138
D537,063 S *	2/2007	Kim et al. ....	D14/138	2004/0185920 A1 *	9/2004	Choi et al. ....	455/575.1
D540,767 S *	4/2007	Kim et al. ....	D14/138	2004/0203535 A1 *	10/2004	Kim et al. ....	455/90.3
D541,248 S *	4/2007	Lee et al. ....	D14/138	2005/0124381 A1 *	6/2005	Kim et al. ....	455/556.1

\* cited by examiner

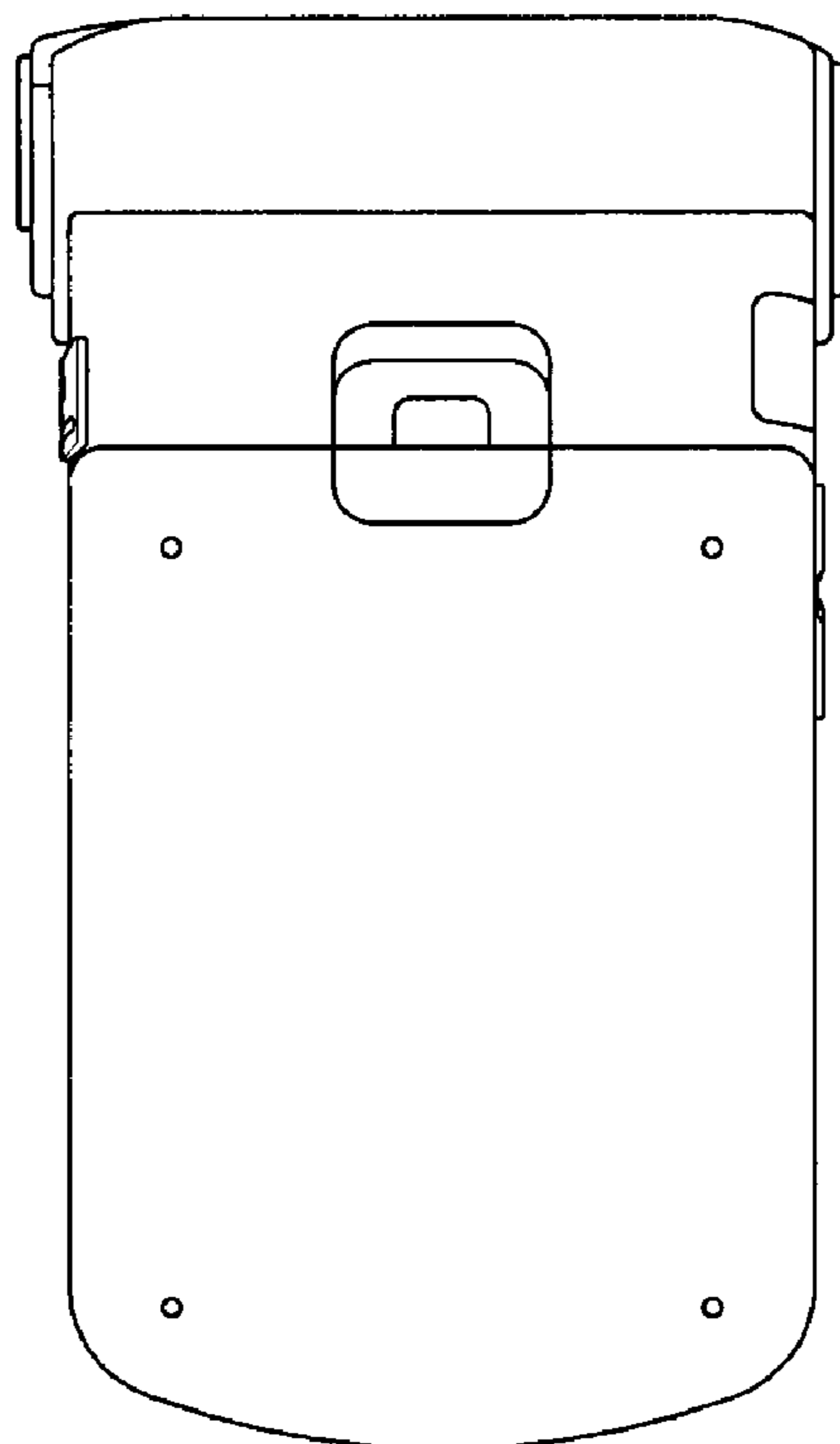
**FIG. 1**



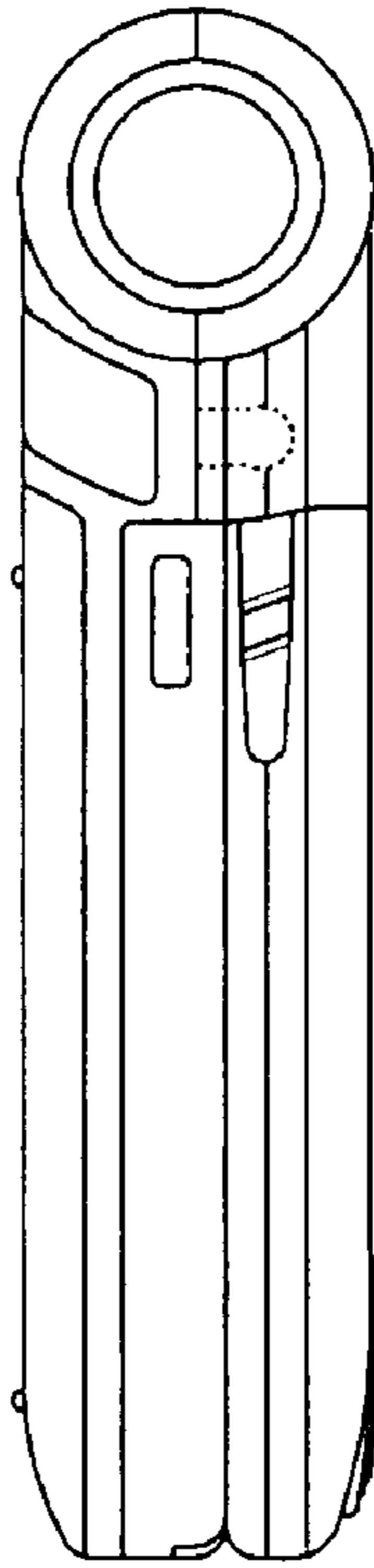
**FIG. 2**



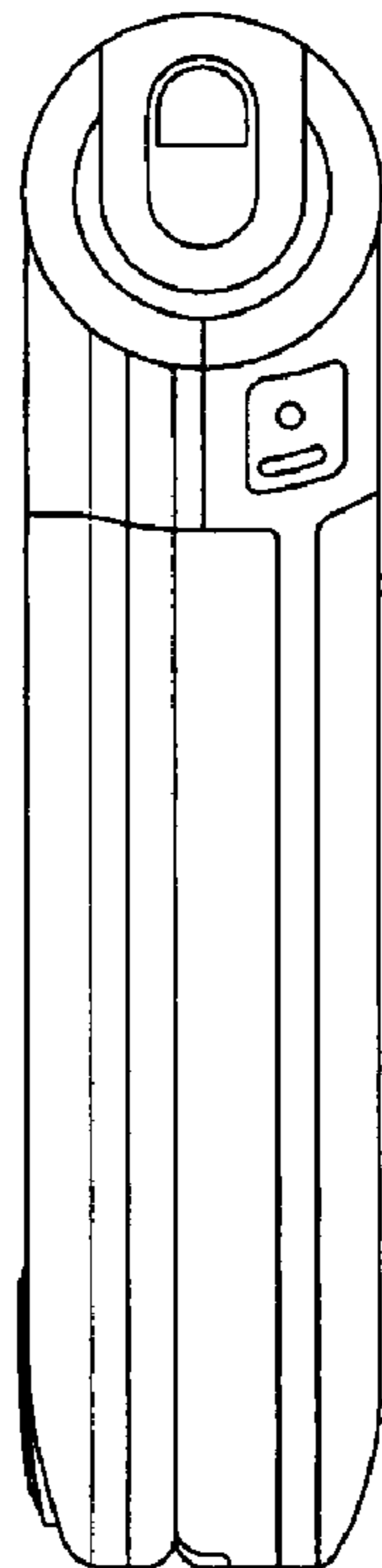
**FIG. 3**



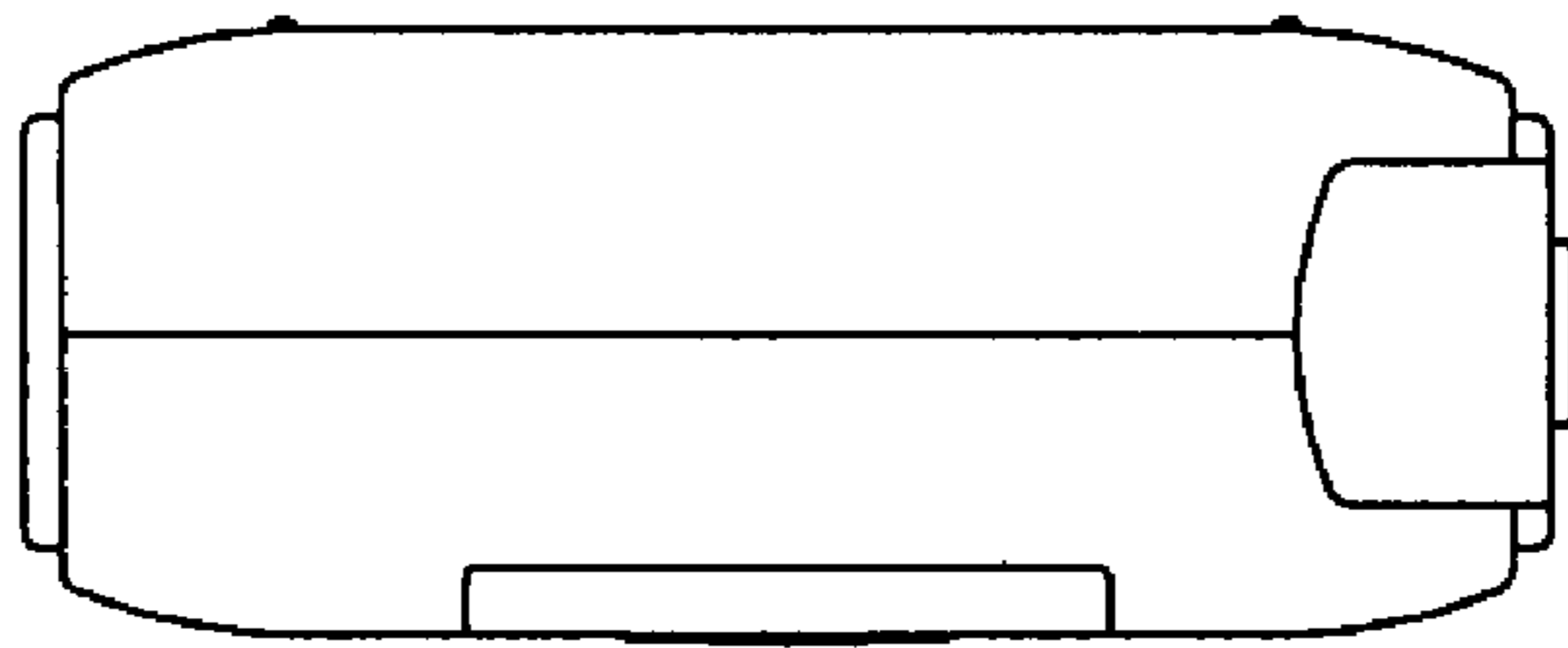
**FIG. 4**



**FIG. 5**



**FIG. 6**



**FIG. 7**

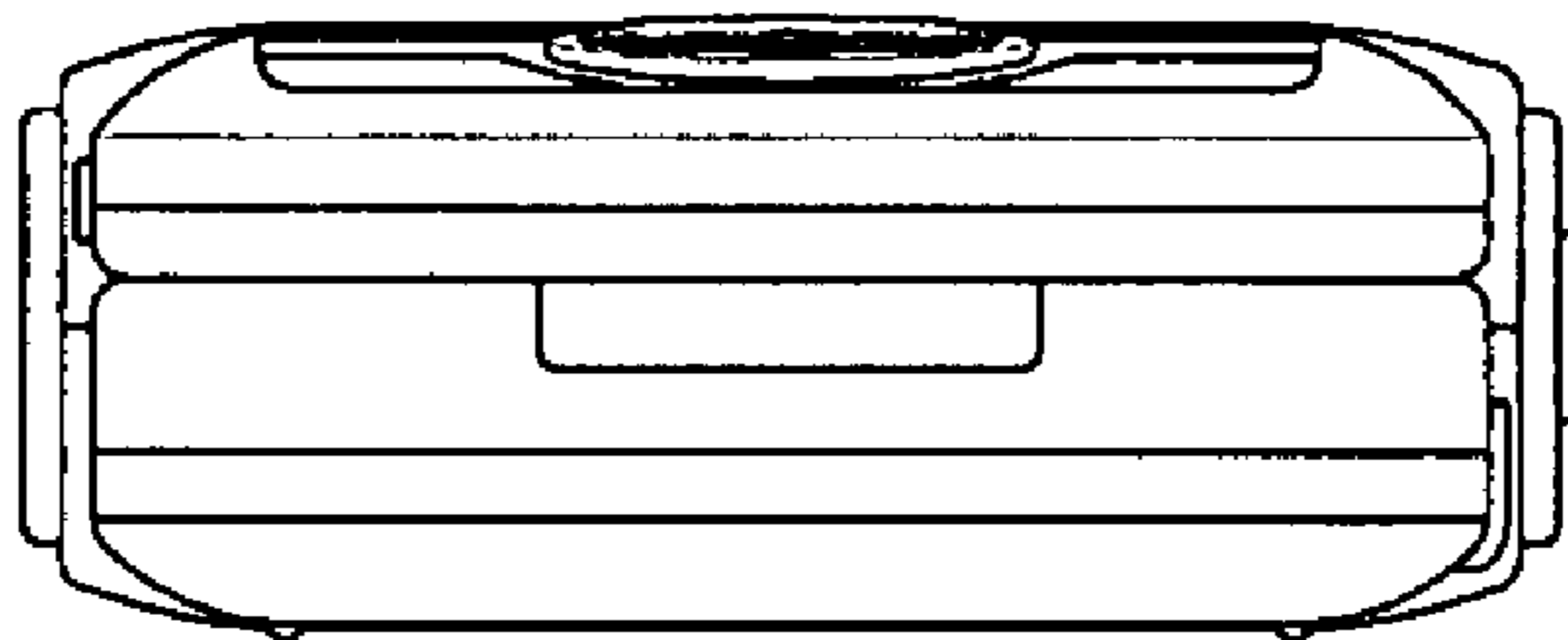
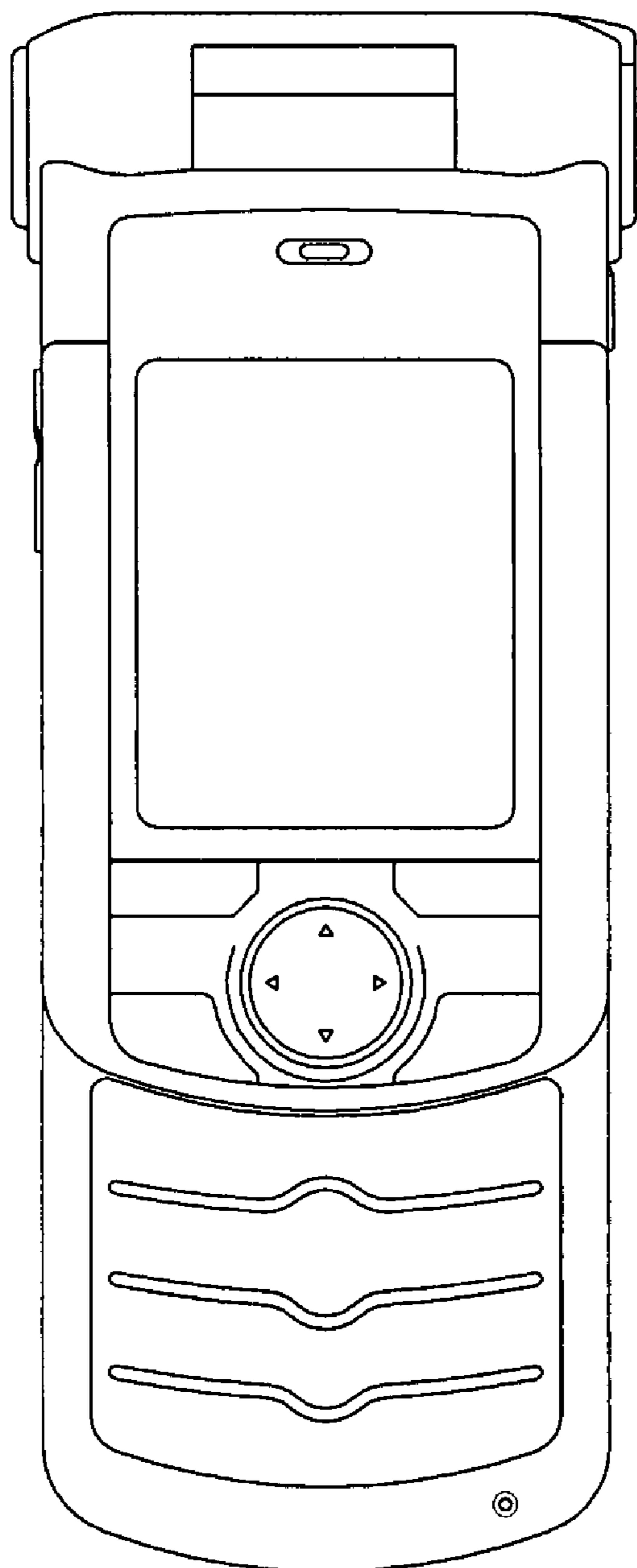


FIG. 8



**FIG. 9**

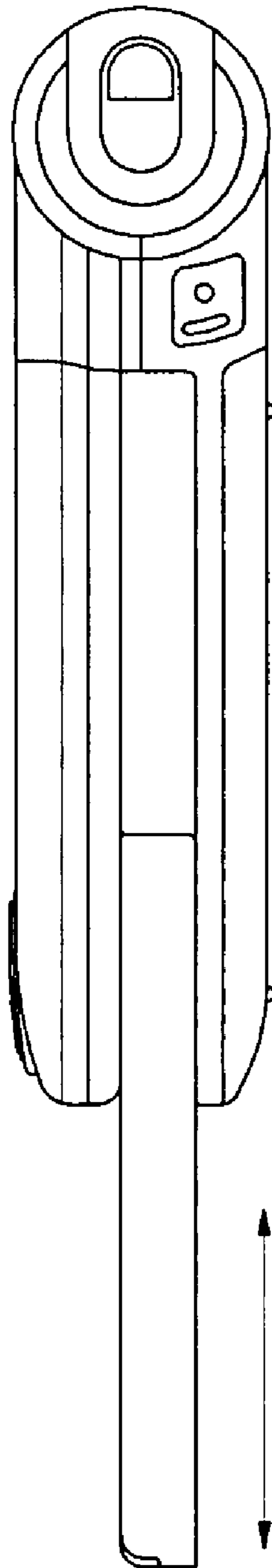




FIG. 10

