



US00D562275S

(12) **United States Design Patent**  
**Iinuma et al.**

(10) **Patent No.:** **US D562,275 S**  
(45) **Date of Patent:** **\*\* Feb. 19, 2008**

(54) **TELEVISION SET**

(75) Inventors: **Masaki Iinuma**, Tochigi-ken (JP);  
**Yoshito Fujii**, Tochigi-ken (JP)

(73) Assignee: **Sharp Kabushiki Kaisha**, Osaka (JP)

(\*\*) Term: **14 Years**

(21) Appl. No.: **29/261,809**

(22) Filed: **Jun. 21, 2006**

(30) **Foreign Application Priority Data**

Dec. 22, 2005 (JP) ..... 2005-037849

(51) **LOC (8) Cl.** ..... **14-03**

(52) **U.S. Cl.** ..... **D14/126**

(58) **Field of Classification Search** ..... D14/125-134,  
D14/239, 371, 136, 374-377; 312/7.2; 348/836,  
348/838, 180, 184, 325, 739; 341/12; 248/917-924,  
248/465; 345/104, 133, 156, 168, 87, 173;  
720/605, 669, 600, 655; 369/99, 197; 455/344-347  
See application file for complete search history.

(56) **References Cited**

**U.S. PATENT DOCUMENTS**

D337,113 S 7/1993 Saito  
D342,497 S 12/1993 Saito et al.  
D342,501 S 12/1993 Saeki et al.  
D351,155 S 10/1994 Usami et al.  
D351,156 S 10/1994 Usami et al.  
D357,244 S 4/1995 Usami et al.  
D357,245 S 4/1995 Usami et al.  
D357,472 S 4/1995 Usami et al.  
D369,596 S 5/1996 Akiyama et al.

D372,026 S 7/1996 Akiyama et al.  
D373,583 S 9/1996 Akiyama et al.  
D427,169 S 6/2000 Saeki et al.  
D429,227 S 8/2000 Shimizu  
D431,537 S 10/2000 Saeki et al.

(Continued)

**OTHER PUBLICATIONS**

Fuji et al., entitled, "Television Set," U.S. Appl. No. 29/228,974, filed May 2, 2005, pending.

Kita, entitled, "Television Set," U.S. Appl. No. 29/229,686, filed May 11, 2005, pending.

(Continued)

*Primary Examiner*—Raphael Barkai

(74) *Attorney, Agent, or Firm*—Nixon & Vanderhye, PC

(57) **CLAIM**

The ornamental design for an "television set", as shown and described.

**DESCRIPTION**

FIG. 1 is a perspective view of a television set in accordance with my new design;

FIG. 2 is a front elevation view thereof;

FIG. 3 is a rear elevation view thereof;

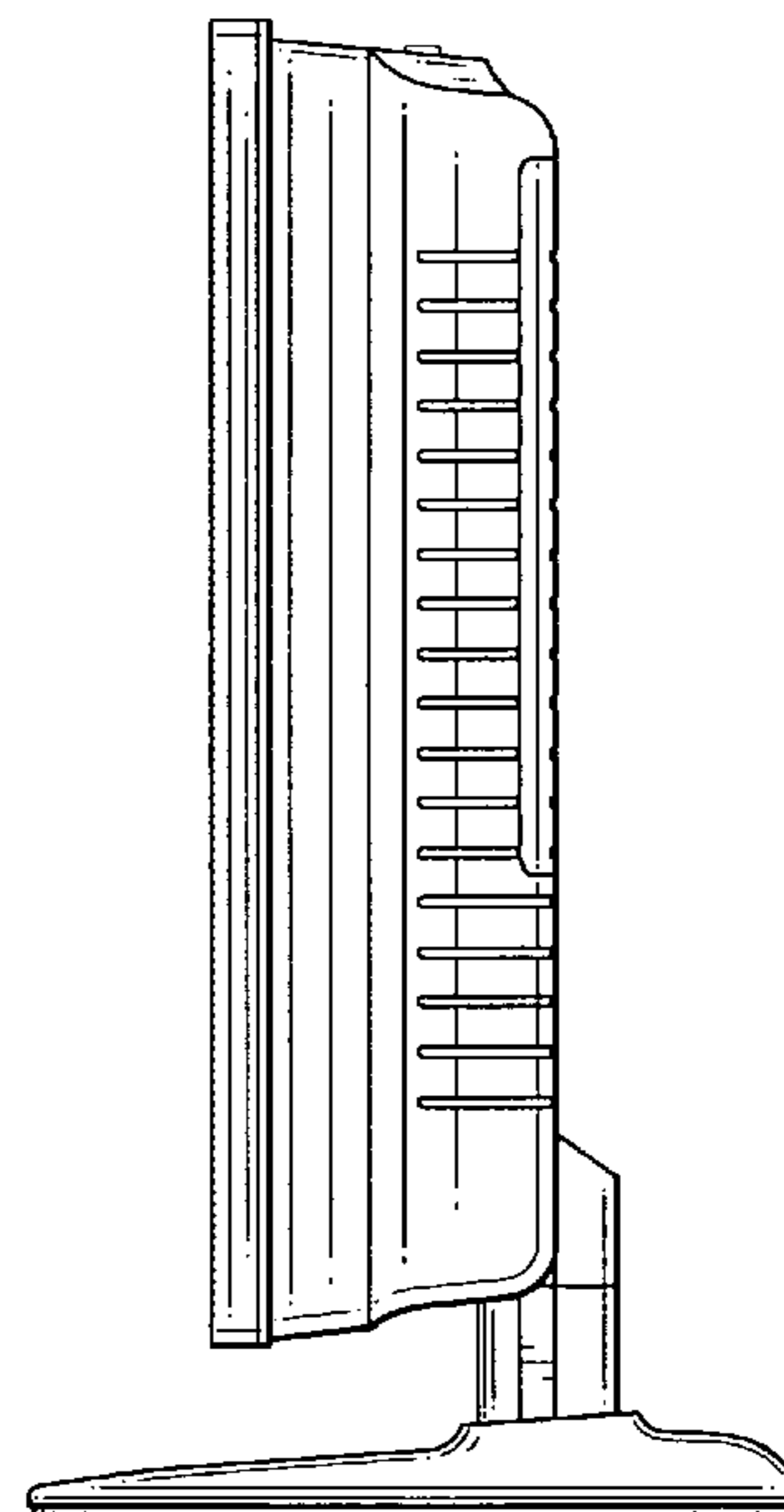
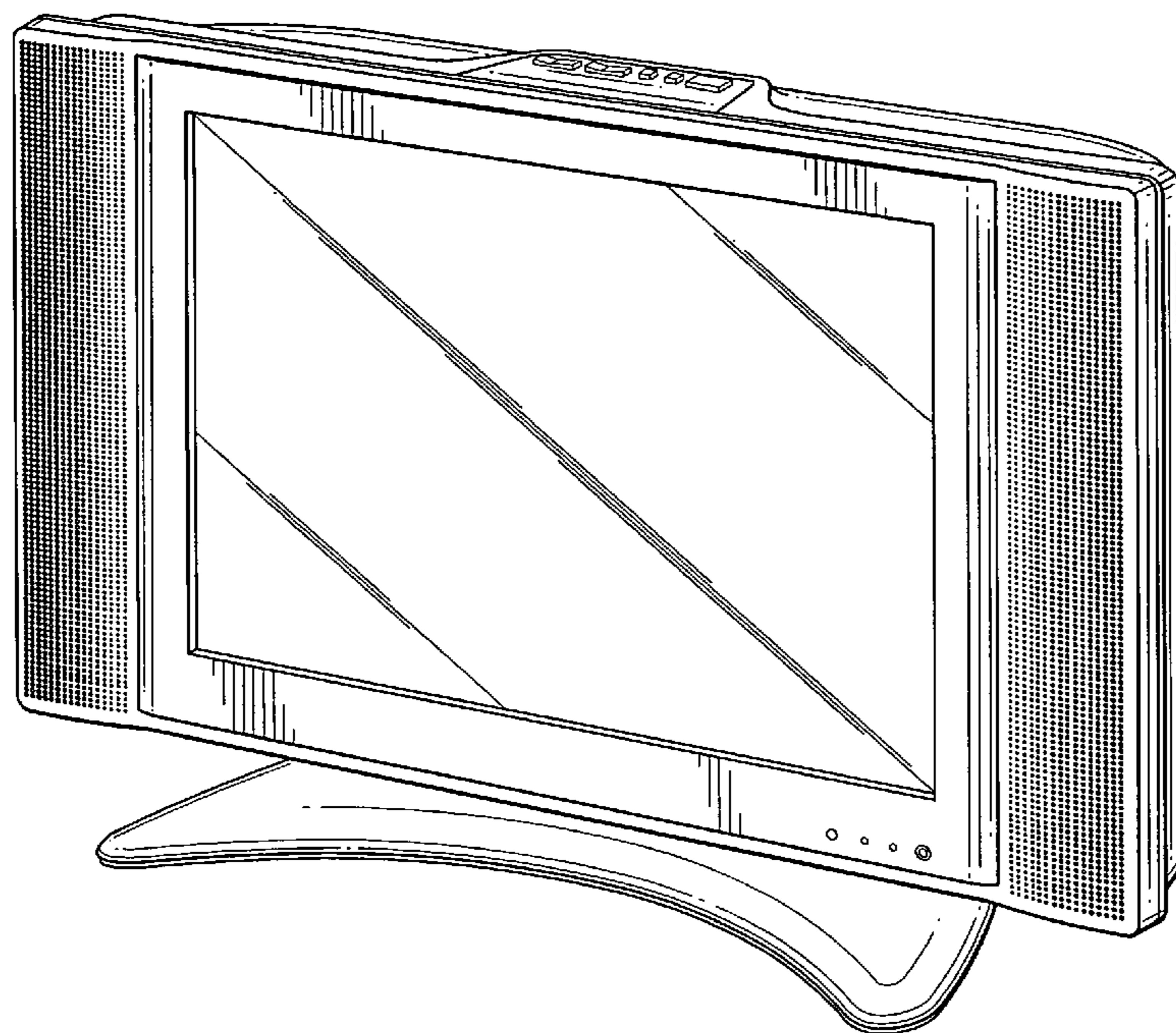
FIG. 4 is a top plan view thereof;

FIG. 5 is a bottom plan view thereof;

FIG. 6 is a right side elevational view thereof; and,

FIG. 7 is a left side elevational view thereof.

**1 Claim, 5 Drawing Sheets**



U.S. PATENT DOCUMENTS

D438,848 S	3/2001	Kita	
D439,224 S	3/2001	Kita	
D439,225 S	3/2001	Kita	
D453,747 S	2/2002	Kita	
D453,748 S	2/2002	Kita	
D456,370 S	4/2002	Kita	
D458,910 S	6/2002	Kita	
D462,353 S	* 9/2002	Kita	..... D14/374
D483,020 S	* 12/2003	Nagao et al.	..... D14/126
D492,269 S	6/2004	Kita	
D494,149 S	* 8/2004	Shih	..... D14/134
D496,915 S	10/2004	Kita	
D497,351 S	10/2004	Kita	
D497,352 S	* 10/2004	Asanuma et al.	..... D14/126
D497,599 S	10/2004	Kita	
D499,076 S	11/2004	Kita	
D501,186 S	1/2005	Kita	
D501,654 S	2/2005	Kita	
D502,451 S	3/2005	Kita	
D502,931 S	3/2005	Kita	
D505,123 S	5/2005	Kita	
D505,926 S	* 6/2005	Inoue et al.	..... D14/126
D510,731 S	10/2005	Kita	
D512,385 S	12/2005	Kita	
D512,386 S	12/2005	Kita	
D512,387 S	12/2005	Kita	

OTHER PUBLICATIONS

Fuji et al., entitled, "Television Set," U.S. Appl. No. 29/228,975, filed May 2, 2005, pending.  
 Kita, entitled, "Television Set," U.S. Appl. No. 29/232,697, filed Jun. 23, 2005, pending.  
 Kita, entitled, "Television Set," U.S. Appl. No. 29/232,616, filed Jun. 22, 2005, pending.  
 Kita, entitled, "Television Set," U.S. Appl. No. 29/232,622, filed Jun. 22, 2005, pending.  
 Kita, entitled, "Television Set," U.S. Appl. No. 29/232,620, filed Jun. 22, 2005, pending.  
 Kita, entitled, "Television Set," U.S. Appl. No. 29/232,607, filed Jun. 22, 2005, pending.  
 Kita, entitled, "Television Set," U.S. Appl. No. 29/232,621, filed Jun. 22, 2005, pending.  
 Kita, entitled, "Television Set," U.S. Appl. No. 29/232,614, filed Jun. 22, 2005, pending.  
 Totsuka, entitled, "Television Set," U.S. Appl. No. 29/245,754, filed Dec. 29, 2005, pending.

Kita, entitled, "Television Set," U.S. Appl. No. 29/243,346, filed Nov. 23, 2005, pending.  
 Kita, entitled, "Television Set," U.S. Appl. No. 29/243,348, filed Nov. 23, 2005, pending.  
 Kita, entitled, "Television Set," U.S. Appl. No. 29/243,347, filed Nov. 23, 2005, pending.  
 Kita, entitled, "Television Set," U.S. Appl. No. 29/243,703, filed Nov. 30, 2005, pending.  
 Kita, entitled, "Television Set," U.S. Appl. No. 29/243,704, filed Nov. 30, 2005, pending.  
 Kita, entitled, "Television Set," U.S. Appl. No. 29/243,707, filed Nov. 30, 2005, pending.  
 Kita, entitled, "Television Set," U.S. Appl. No. 29/245,015, filed Dec. 19, 2005, pending.  
 Kita, entitled, "Television Set," U.S. Appl. No. 29/253,456, filed Feb. 8, 2006, pending.  
 Kita, entitled, "Television Set," U.S. Appl. No. 29/243,350, filed Nov. 23, 2005, pending.  
 Kita, entitled, "Externally Exposed Surfaces of a Speaker for a Television Set," U.S. Appl. No. 29/243,705, filed Nov. 30, 2005, pending.  
 Kita, entitled, "Television Set," U.S. Appl. No. 29/253,455, filed Feb. 8, 2006, pending.  
 Kita, entitled, "Television Set," U.S. Appl. No. 29/261,811, filed Jun. 21, 2006, pending.  
 Kita, entitled, "Television Set," U.S. Appl. No. 29/261,807, filed Jun. 21, 2006, pending.  
 Kita, entitled, "Television Set," U.S. Appl. No. 29/261,813, filed Jun. 21, 2006, pending.  
 Kita, entitled, "Television Set," U.S. Appl. No. 29/260,910, filed Jun. 21, 2006, pending.  
 Kita, entitled, "Television Set," U.S. Appl. No. 29/261,815, filed Jun. 21, 2006, pending.  
 Kita, entitled, "Television Set," U.S. Appl. No. 29/261,801, filed Jun. 21, 2006, pending.  
 Kita, entitled, "Television Set," U.S. Appl. No. 29/261,802, filed Jun. 21, 2006, pending.  
 Kita, entitled, "Television Set," U.S. Appl. No. 29/261,803, filed Jun. 21, 2006, pending.  
 Kita, entitled, "Television Set," U.S. Appl. No. 29/261,804, filed Jun. 21, 2006, pending.  
 Kita, entitled, "Television Set," U.S. Appl. No. 29/261,805, filed Jun. 21, 2006, pending.

\* cited by examiner



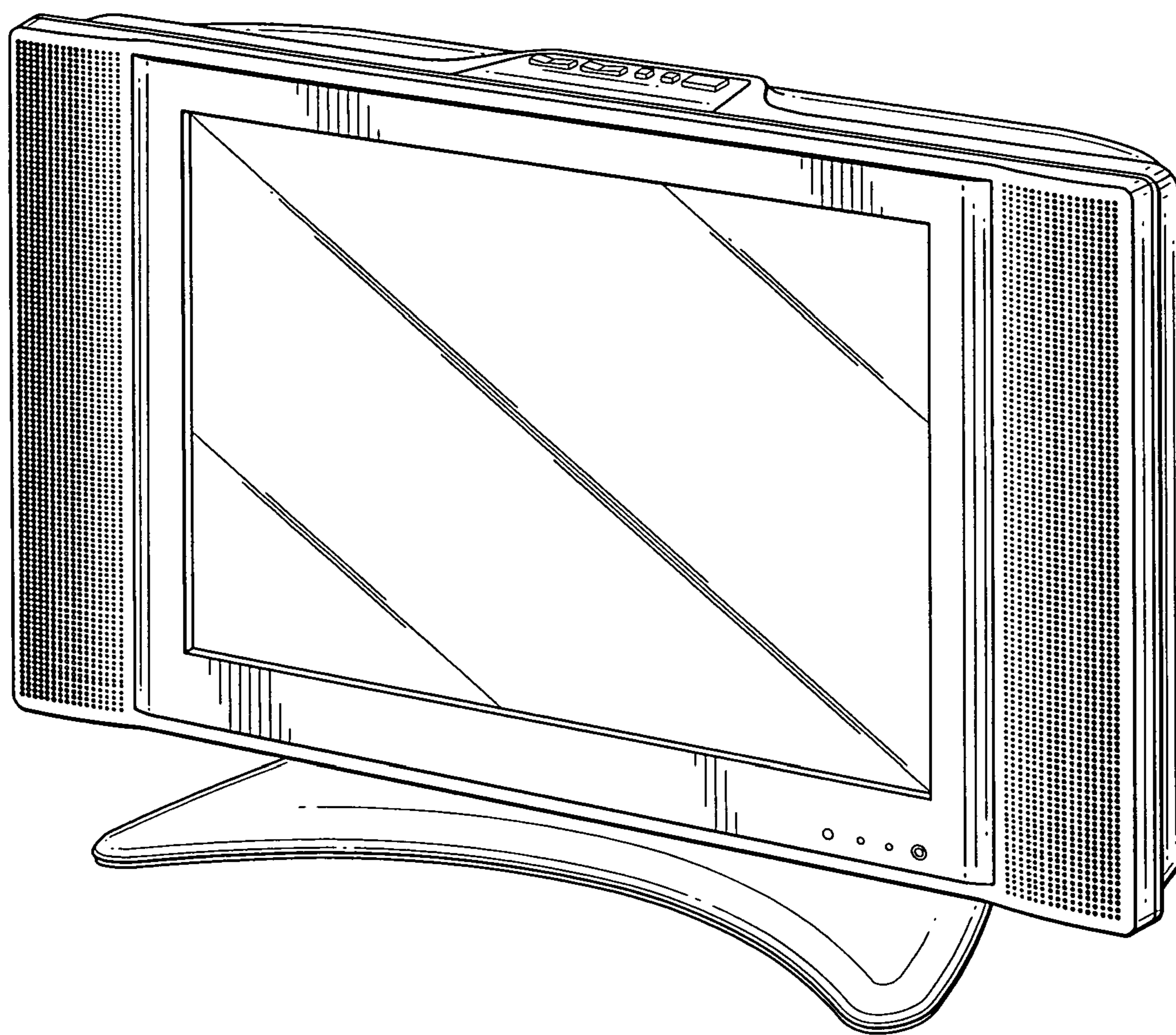


FIG. 1

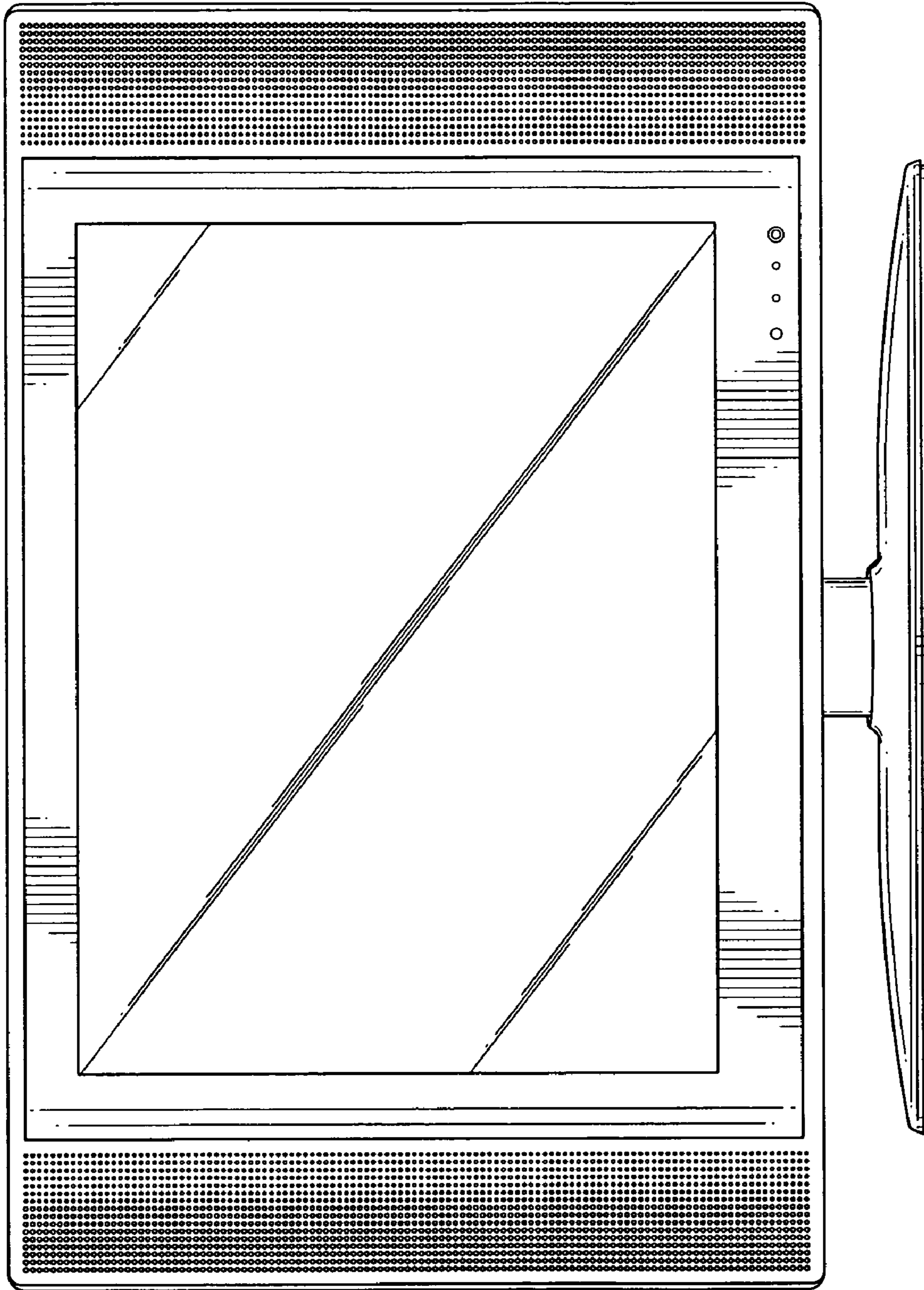


FIG. 2

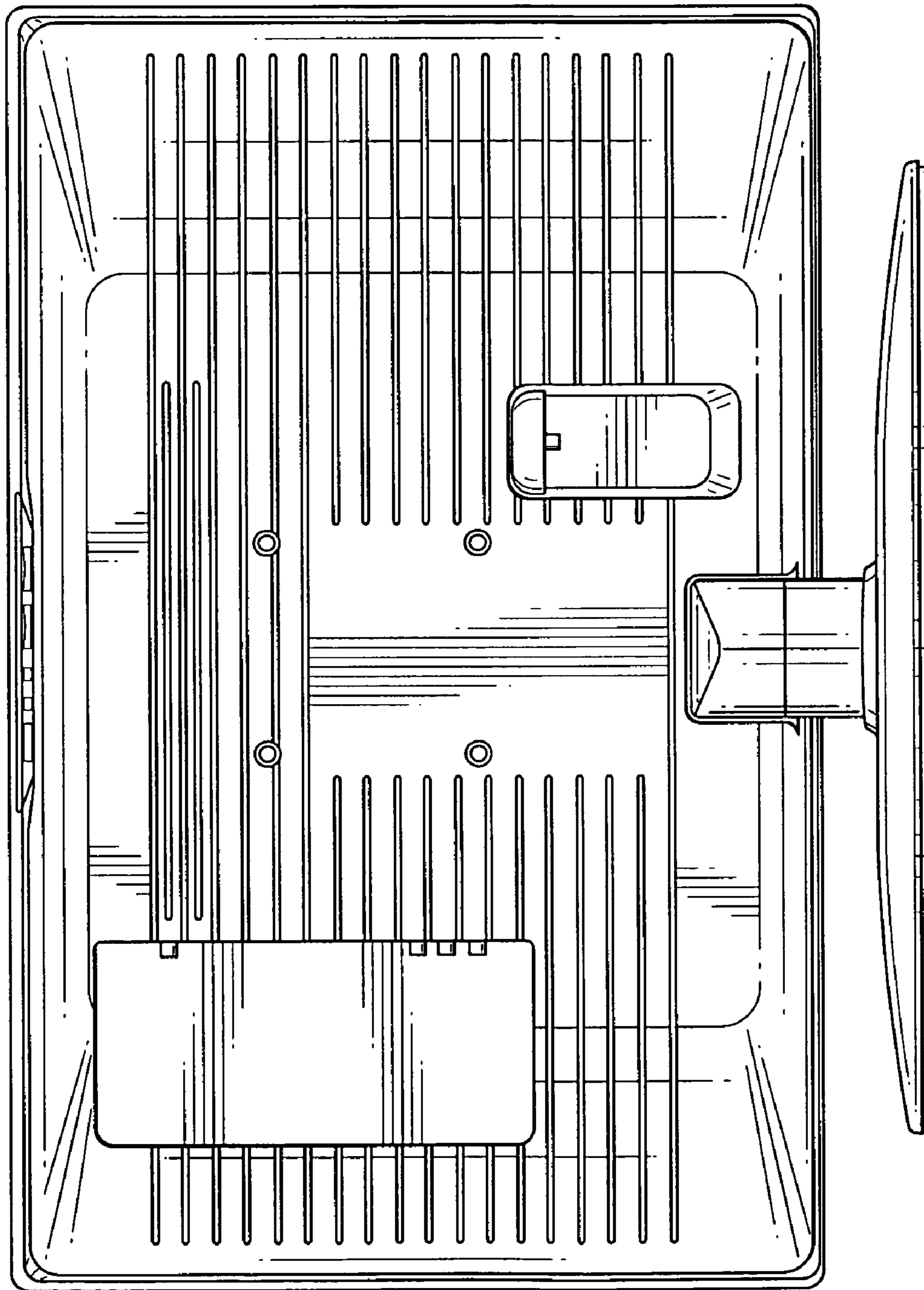


FIG. 3

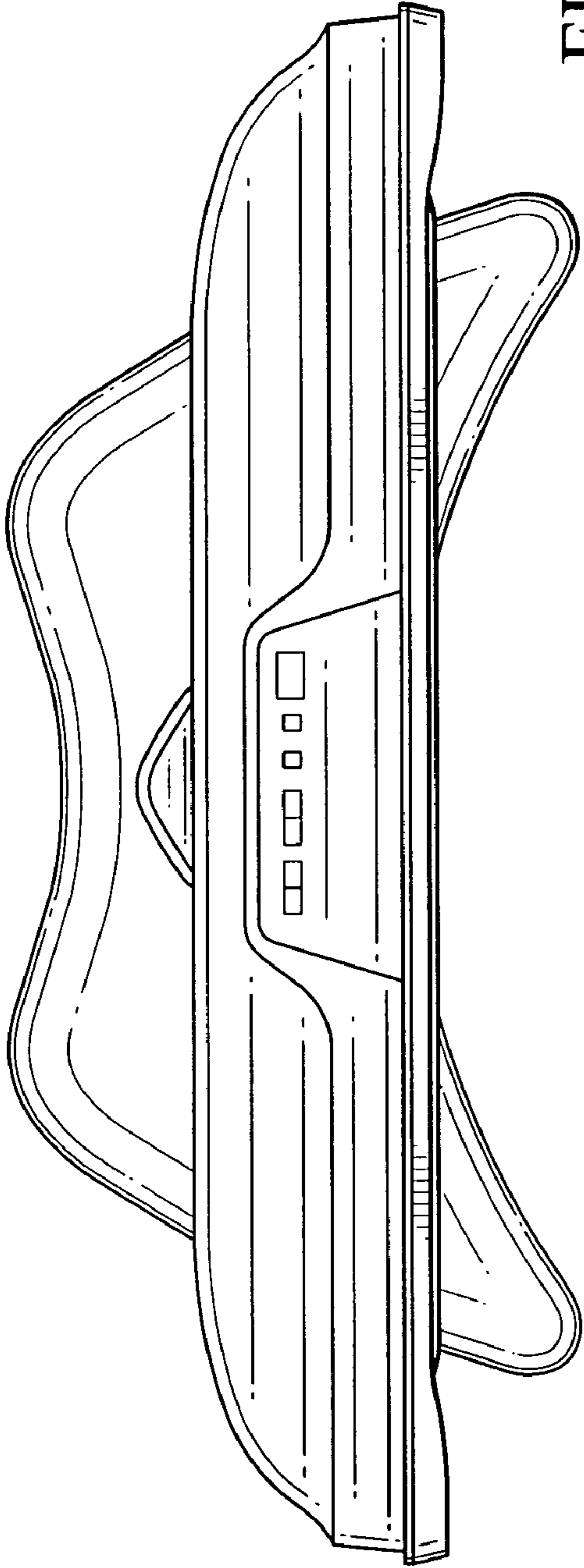


FIG. 4

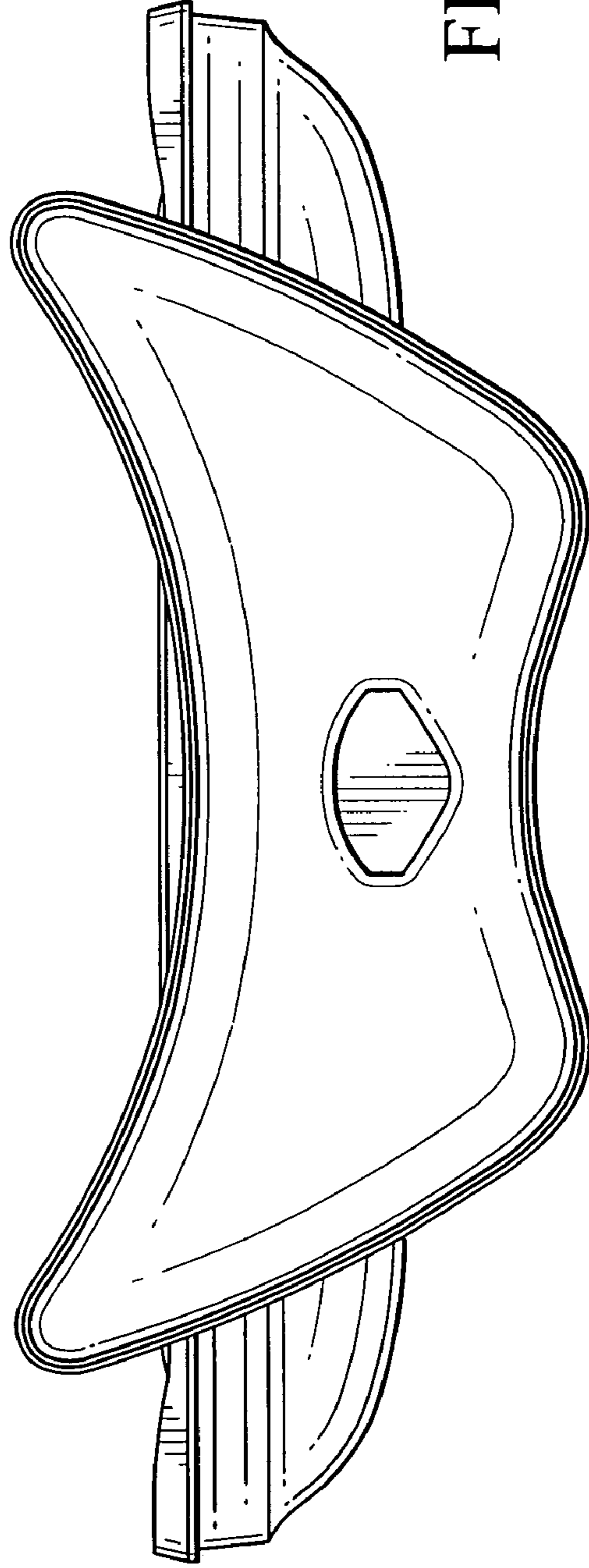


FIG. 5



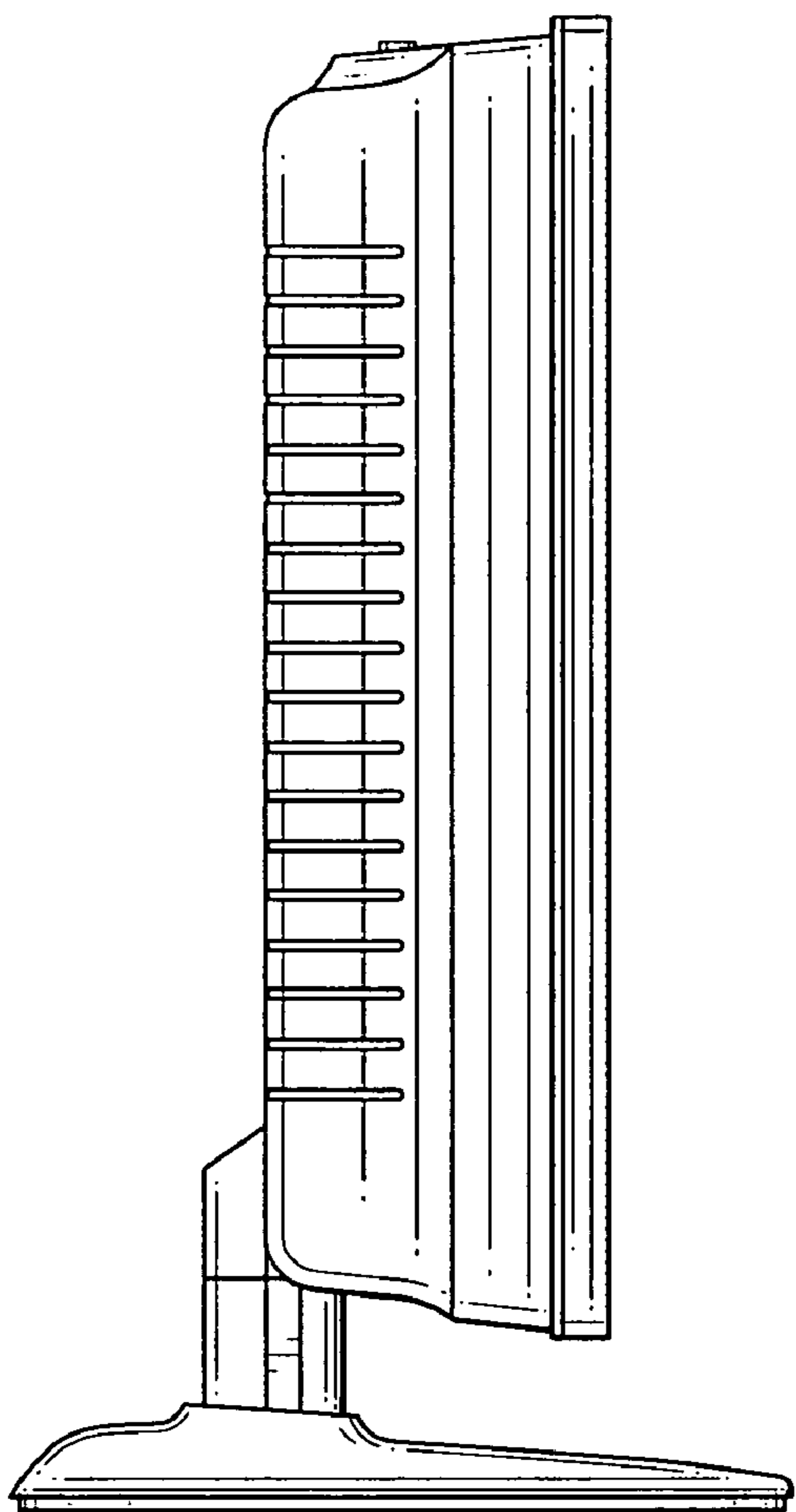


FIG. 6

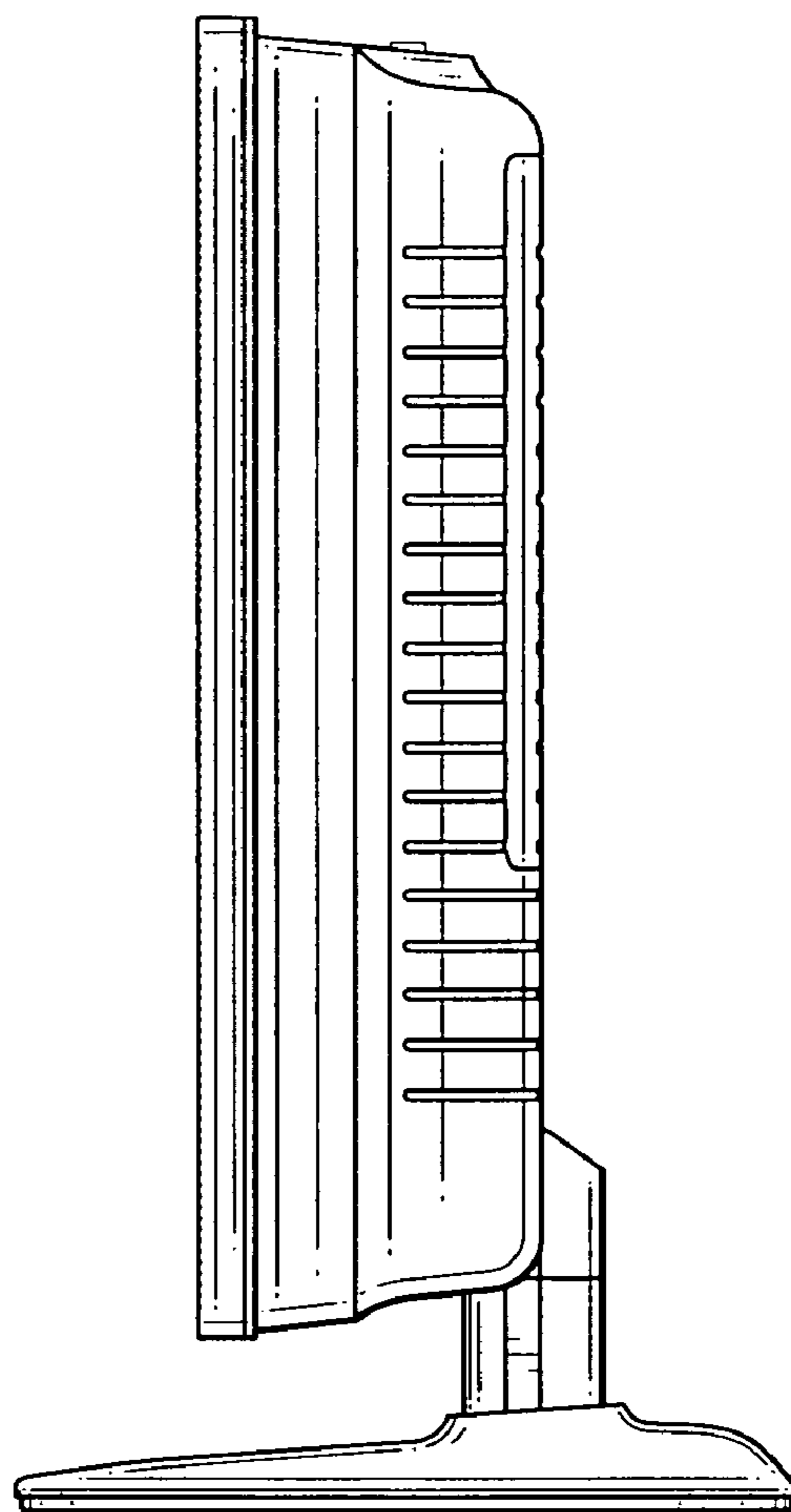


FIG. 7