

US00D562274S

(12) **United States Design Patent**
Wang

(10) **Patent No.:** **US D562,274 S**

(45) **Date of Patent:** **** Feb. 19, 2008**

(54) **FRAME FOR TV SET**

(75) Inventor: **Jianjun Wang**, Guangzhou (CN)

(73) Assignee: **Guangzhou Echom Science & Technology Group Co., Ltd.**,
Guangzhou (CN)

(**) Term: **14 Years**

(21) Appl. No.: **29/250,739**

(22) Filed: **Nov. 30, 2006**

(51) **LOC (8) Cl.** **14-03**

(52) **U.S. Cl.** **D14/126**

(58) **Field of Classification Search** D14/125-134,
D14/239, 371, 136, 374-377; 312/7.2; 348/836,
348/838, 180, 184, 325, 739; 341/12; 248/917-924,
248/465, 123.11; 345/104, 133, 156, 168,
345/87, 173, 169; 349/1, 2, 11, 62; 720/605,
720/669, 600, 655, 99, 197; 455/344-347;
369/99, 197

See application file for complete search history.

(56) **References Cited**

U.S. PATENT DOCUMENTS

D394,248 S * 5/1998 Duan D14/126
D408,416 S * 4/1999 Fenner et al. D14/126

D505,403 S * 5/2005 Kita D14/126
D508,470 S * 8/2005 Inoue et al. D14/126
D516,557 S * 3/2006 Noda et al. D14/375
D528,116 S * 9/2006 Won et al. D14/375
D541,277 S * 4/2007 Noda et al. D14/375
D545,780 S * 7/2007 Kita D14/126

* cited by examiner

Primary Examiner—Raphael Barkai
Assistant Examiner—Randall H Gholson

(57) **CLAIM**

The ornamental design for a frame for TV set, as shown and described.

DESCRIPTION

The claimed frame for TV set is a structure for enclosing a TV set.

FIG. 1 is a front elevational view of a frame for TV set showing my new design;

FIG. 2 is a rear elevational view thereof;

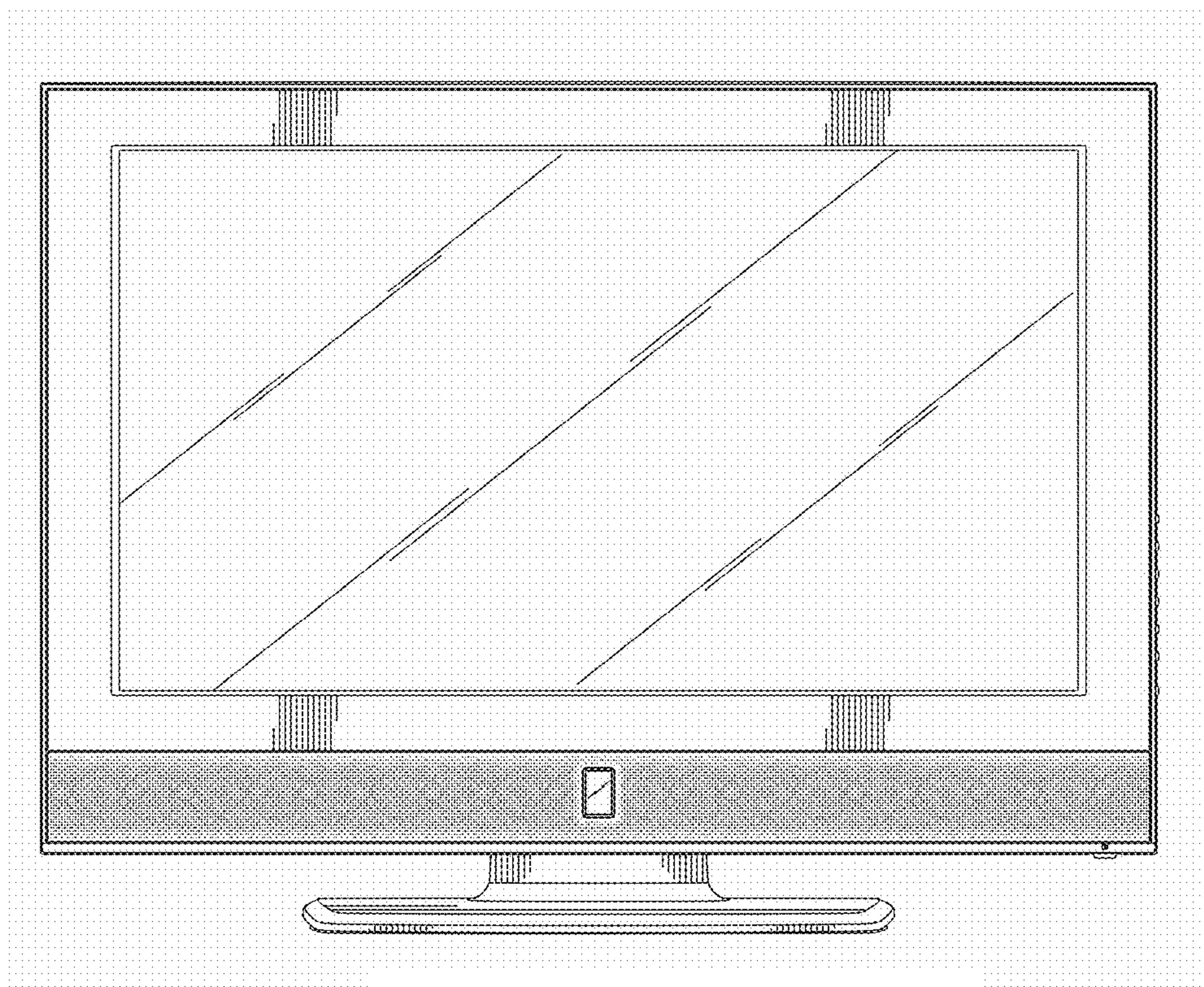
FIG. 3 is a left side view thereof;

FIG. 4 is a right side view thereof;

FIG. 5 is a top plan view thereof; and,

FIG. 6 is a bottom plan view thereof.

1 Claim, 3 Drawing Sheets



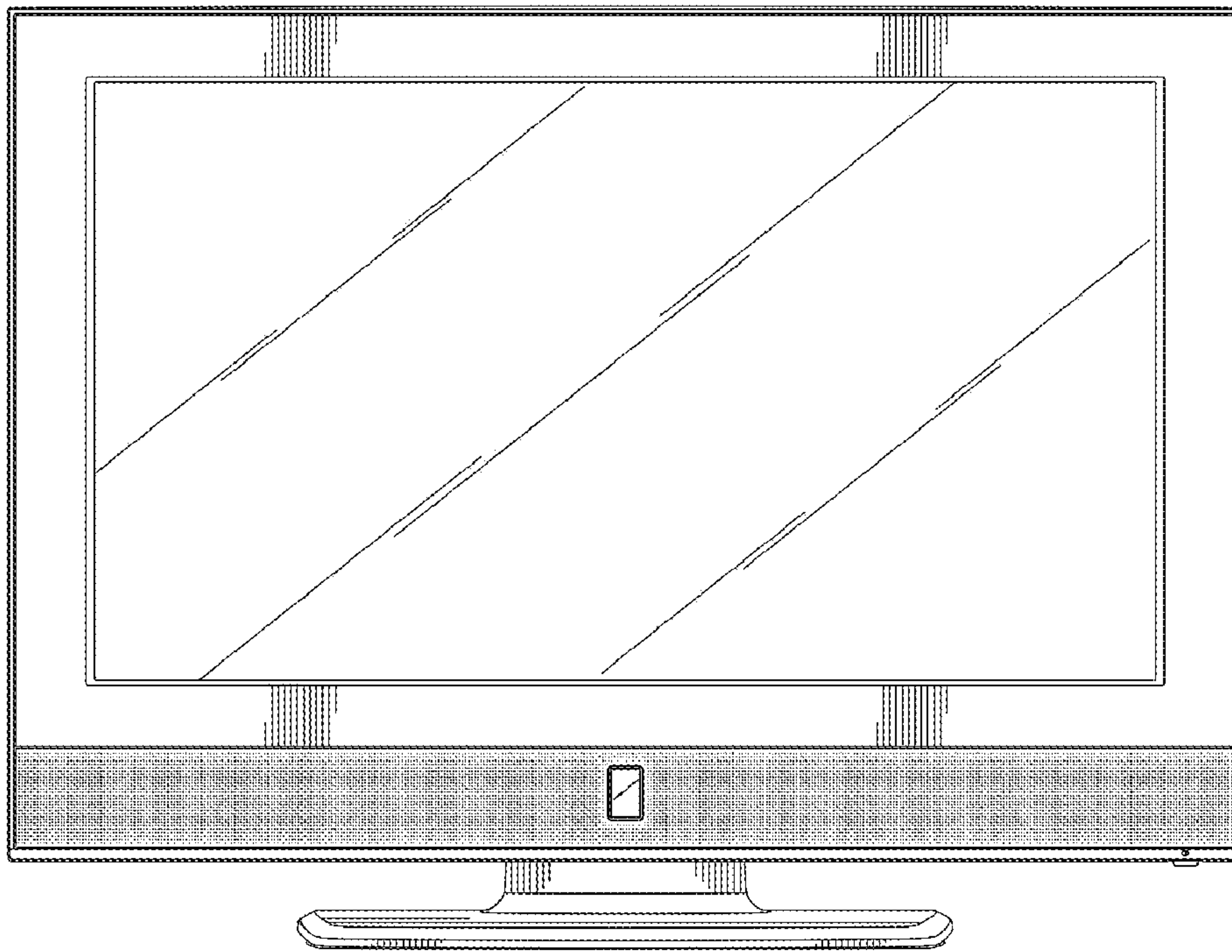


FIG. 1

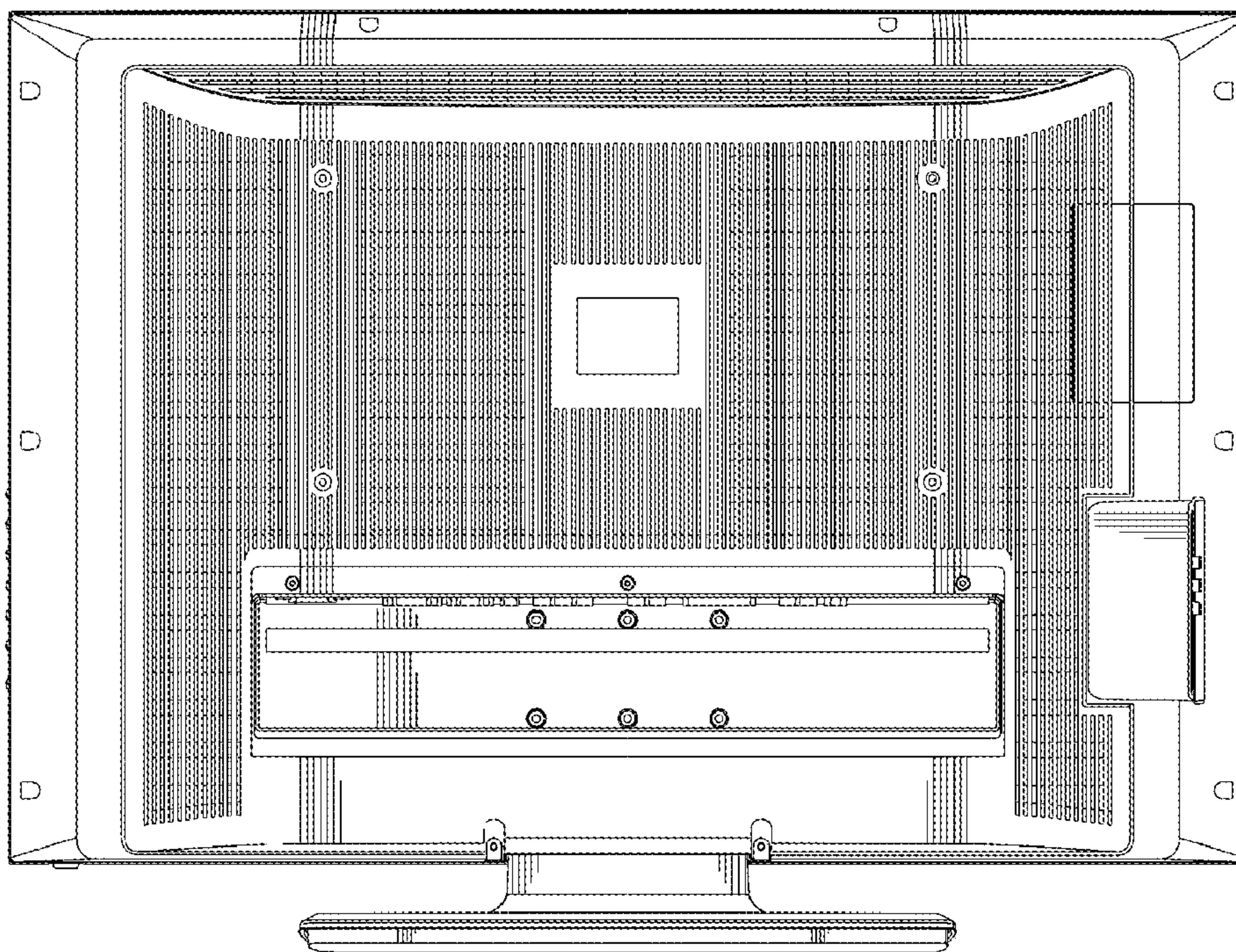


FIG. 2

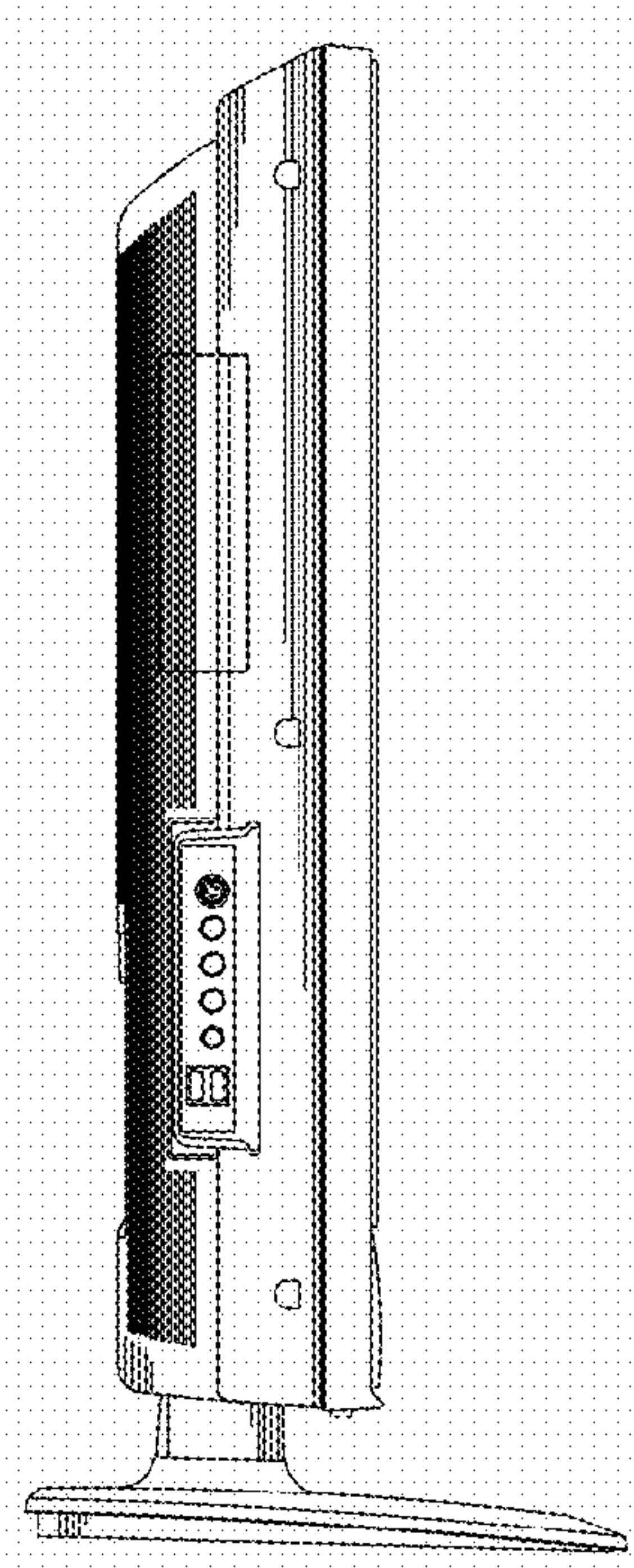


FIG. 3

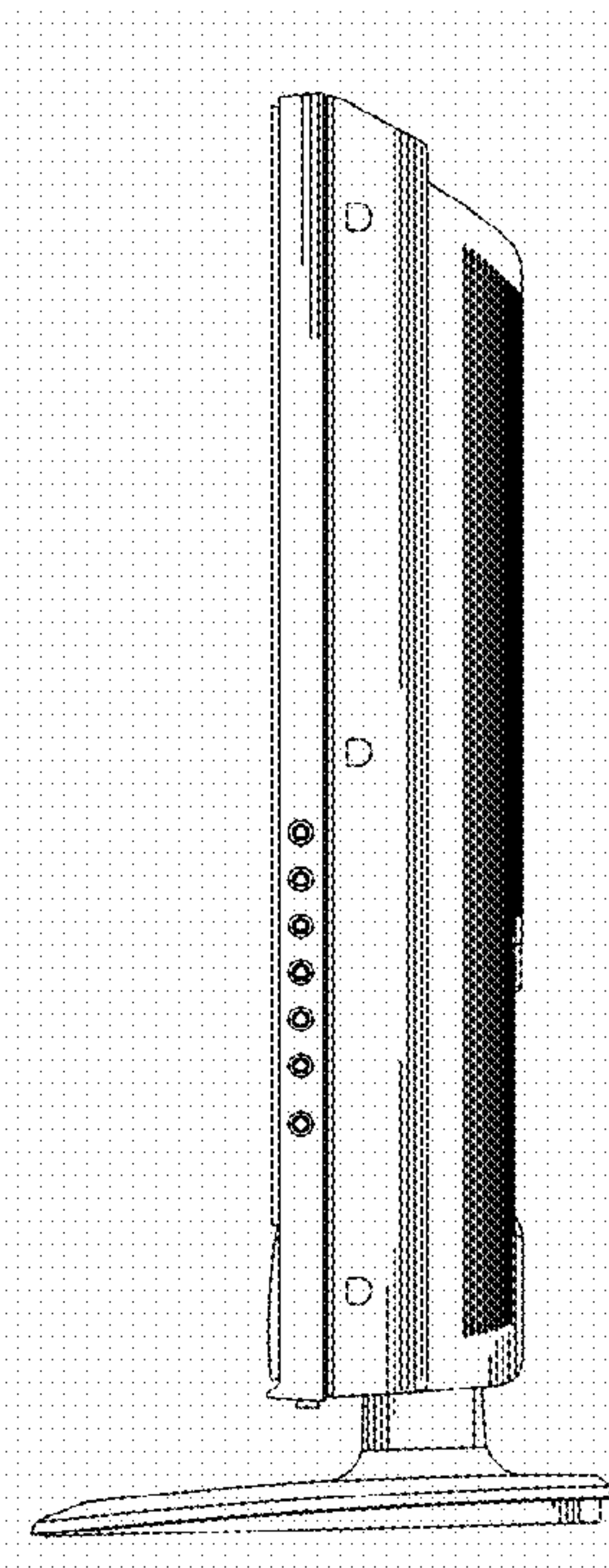


FIG. 4

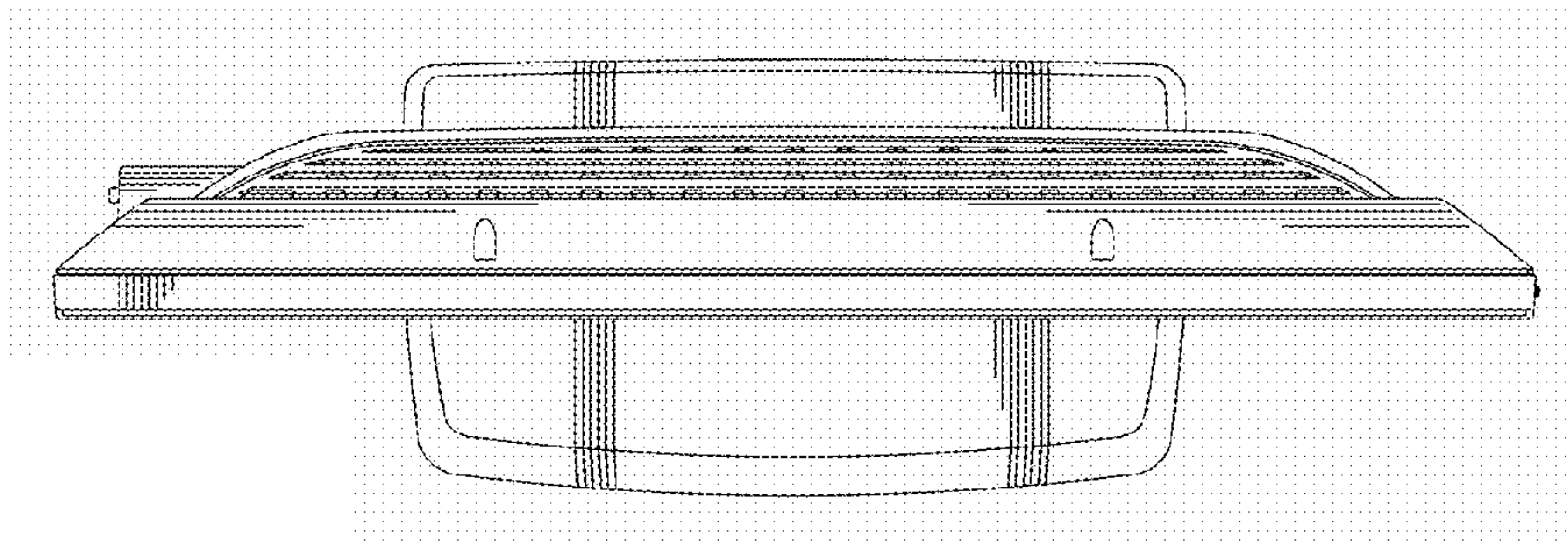


FIG. 5

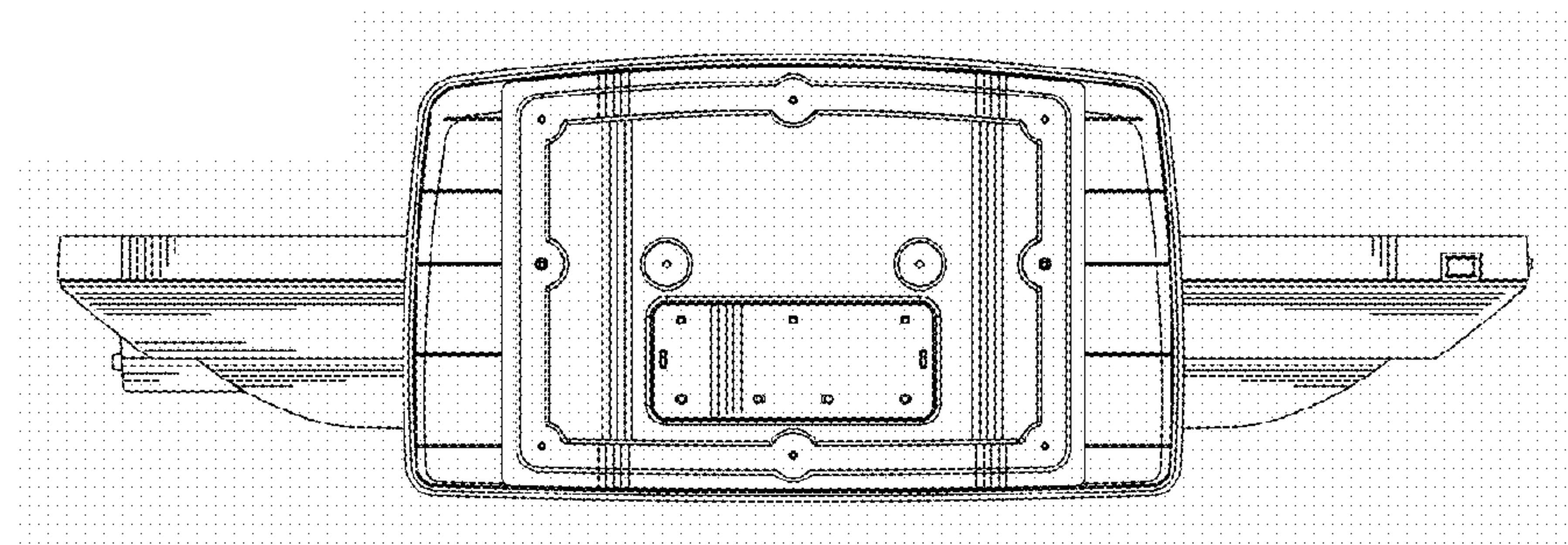


FIG. 6