

US00D562272S

(12) **United States Design Patent**
Su et al.

(10) **Patent No.:** **US D562,272 S**

(45) **Date of Patent:** **** Feb. 19, 2008**

(54) **LIGHT EMITTING DIODE (LED)**

(75) Inventors: **Wen-Lung Su**, Hukou Township,
Hsinchu County (TW); **Hsiang-Cheng Hsieh**, Hukou Township, Hsinchu
County (TW)

(73) Assignee: **Lighthouse Technology Co., Ltd.**,
Hsinchu County (TW)

(**) Term: **14 Years**

(21) Appl. No.: **29/269,979**

(22) Filed: **Dec. 13, 2006**

(30) **Foreign Application Priority Data**

Nov. 17, 2006 (TW) 95306391

(51) **LOC (8) Cl.** **13-03**

(52) **U.S. Cl.** **D13/180**

(58) **Field of Classification Search** D13/180;
D26/2; 257/79, 80, 81, 82, 88, 89, 95, 98,
257/99, 100, 678, 680, 433, 434; 313/483,
313/498, 500; 361/820; 362/555, 800
See application file for complete search history.

(56) **References Cited**

U.S. PATENT DOCUMENTS

6,538,306 B1 * 3/2003 Inada et al. 257/666
D476,960 S * 7/2003 Fukasawa et al. D13/182

D509,195 S * 9/2005 Wang et al. D13/180
D520,466 S * 5/2006 Kamiya et al. D13/180
D548,704 S * 8/2007 Wu et al. D13/180
2007/0063213 A1 * 3/2007 Hsieh et al. 257/99
2007/0114555 A1 * 5/2007 Takemoto et al. 257/99
2007/0145403 A1 * 6/2007 Tomioka et al. 257/99

* cited by examiner

Primary Examiner—Selina Sikder

(74) *Attorney, Agent, or Firm*—Troxell Law Office, PLLC

(57) **CLAIM**

We claim the ornamental design for light emitting diode (LED), as shown and described.

DESCRIPTION

FIG. 1 is a perspective view of a light emitting diode (LED) showing my new design;

FIG. 2 is a front elevational view thereof;

FIG. 3 is a rear elevational view thereof;

FIG. 4 is a left side elevational view thereof;

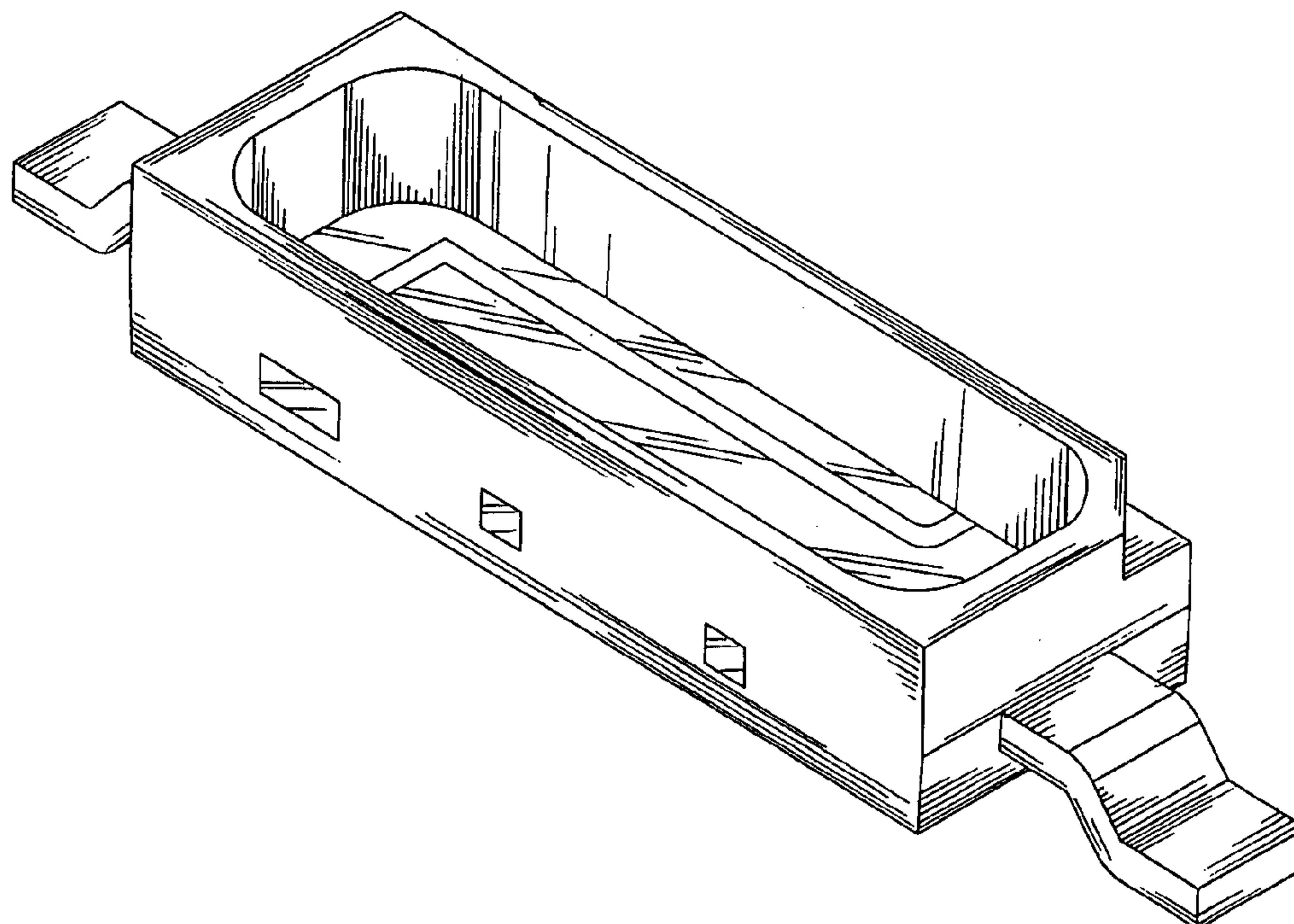
FIG. 5 is a right side elevational view thereof;

FIG. 6 is a top plan view thereof;

FIG. 7 is a bottom plan view thereof; and,

FIG. 8 is a second perspective view of the light emitting diode.

1 Claim, 8 Drawing Sheets



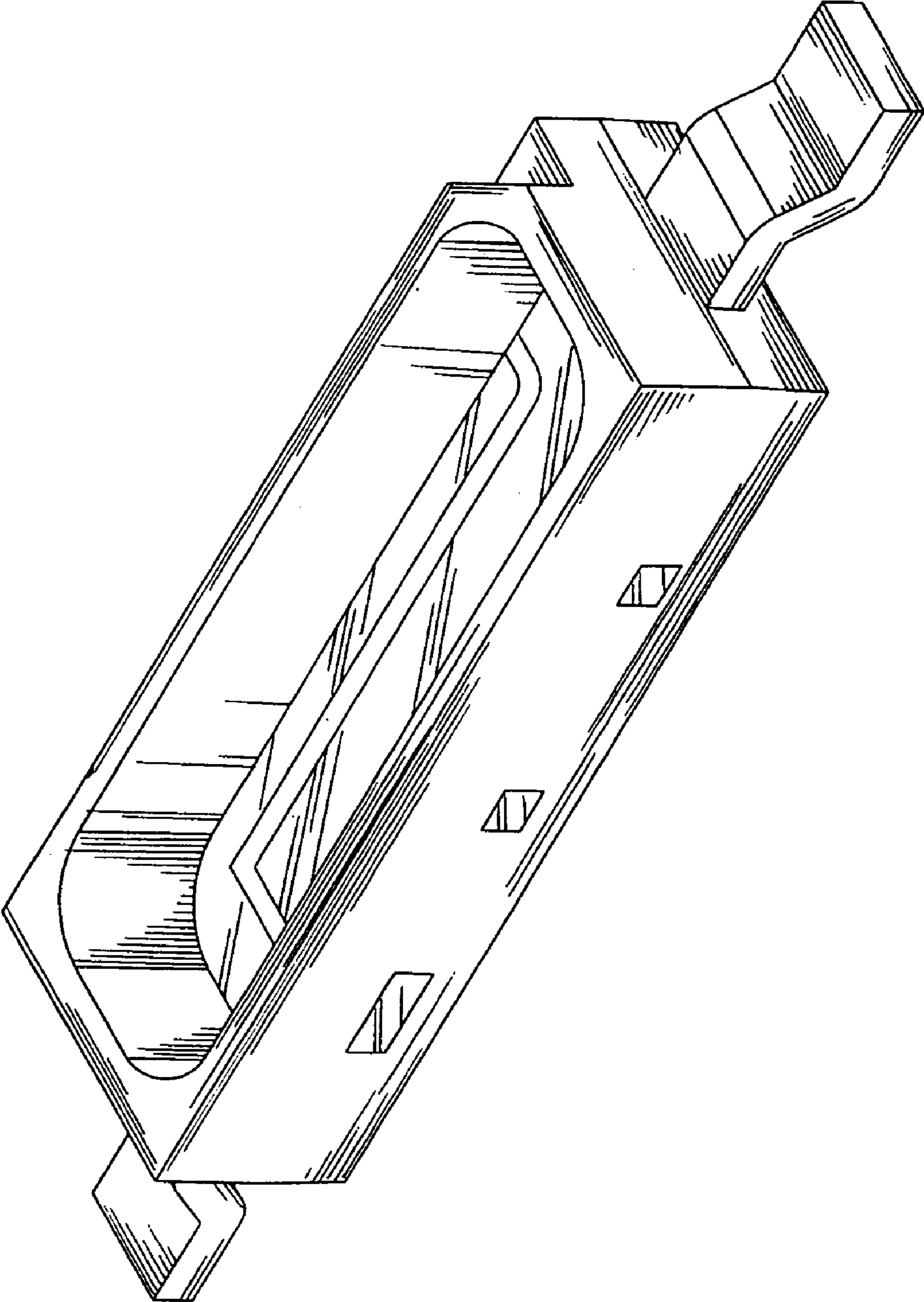


FIG.1

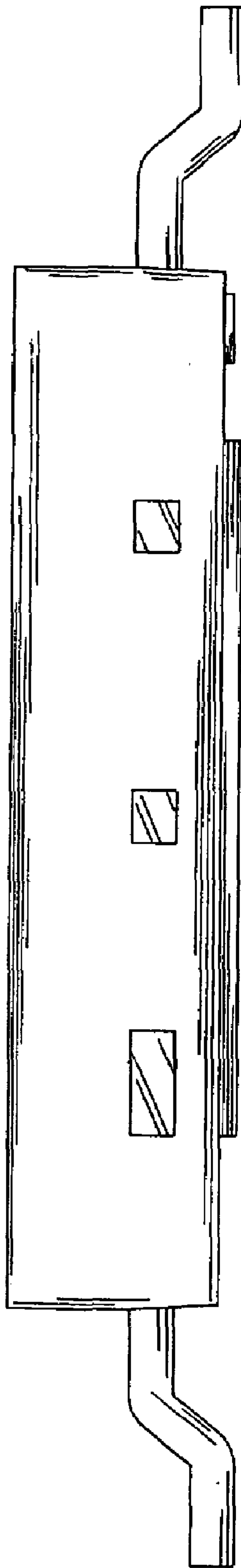


FIG.2

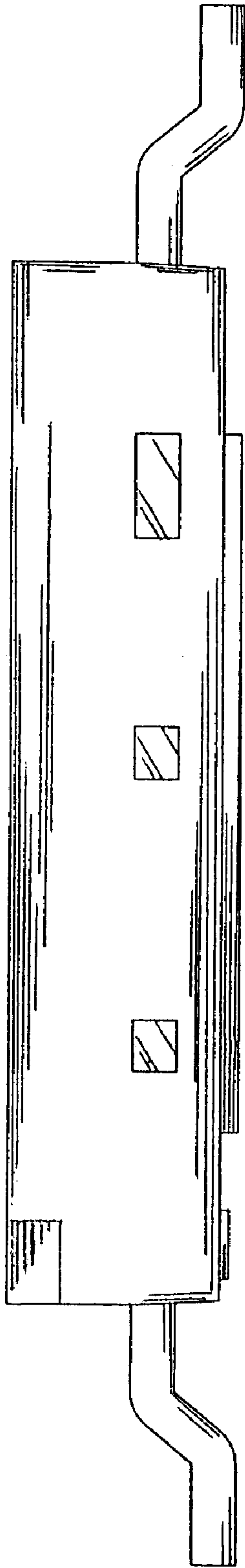


FIG.3

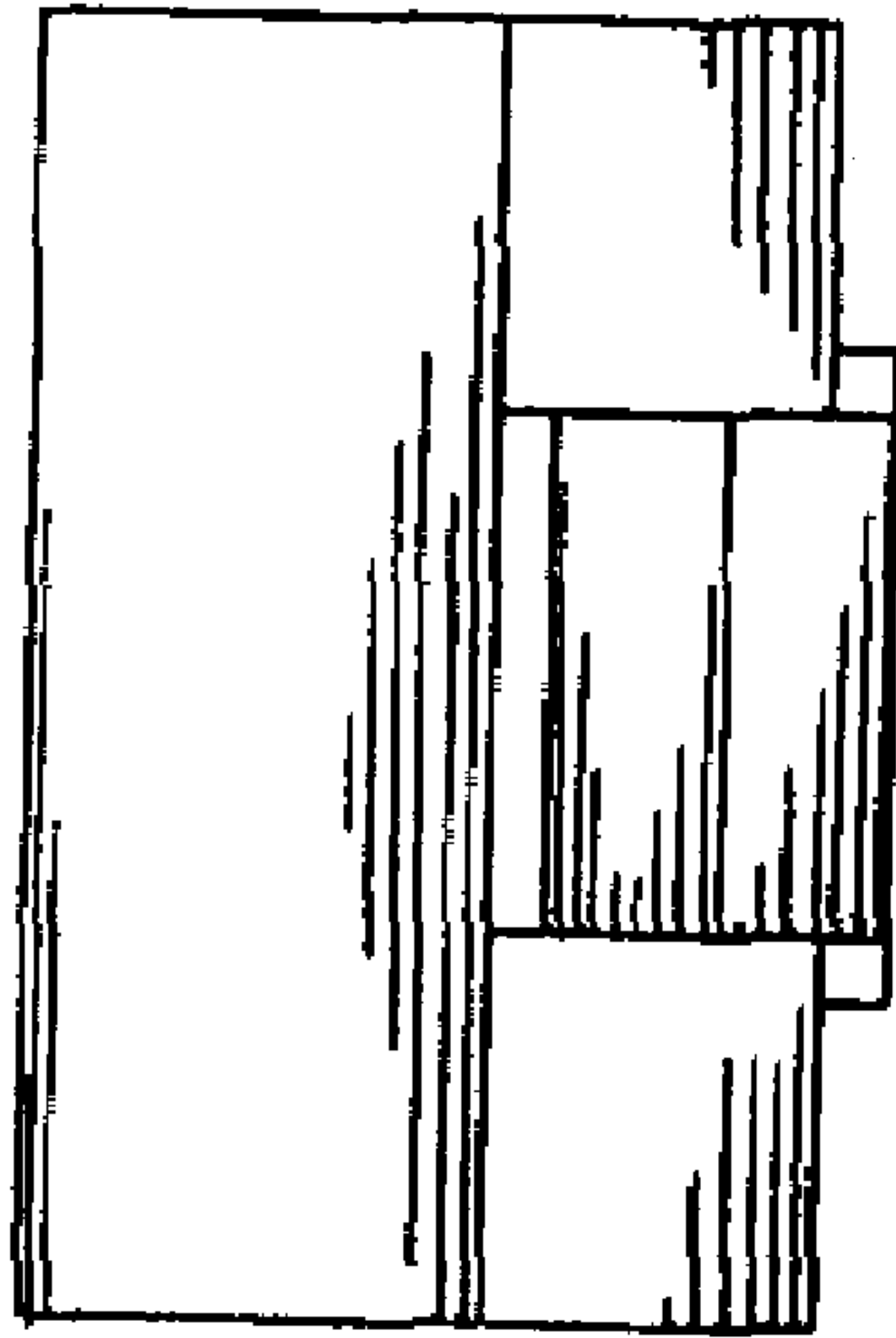


FIG.4

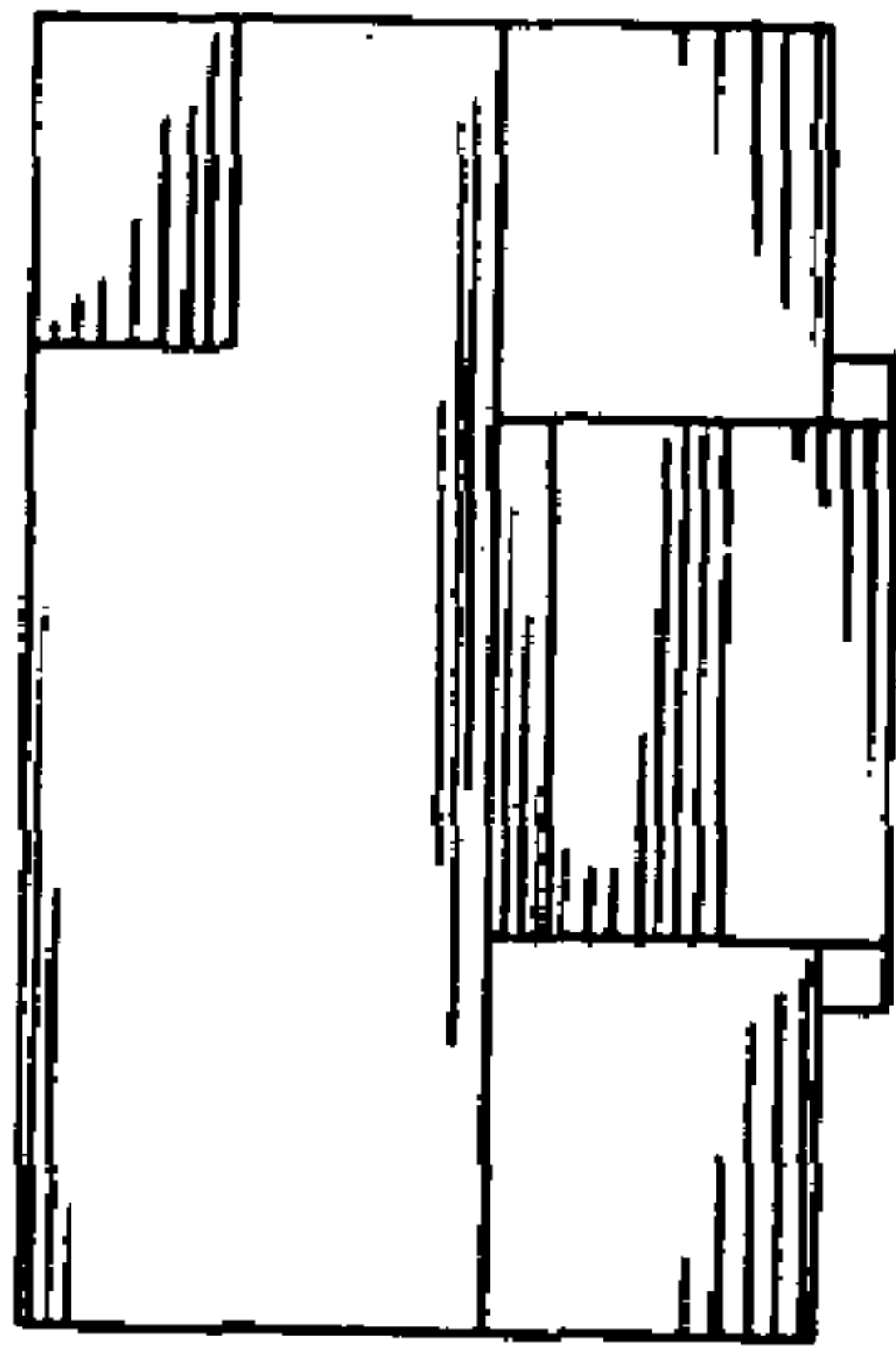


FIG.5

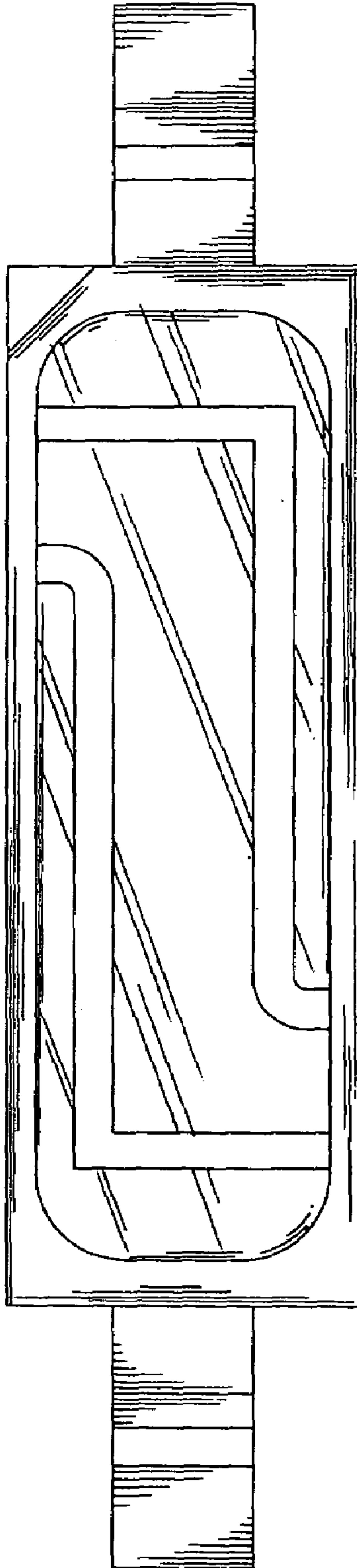


FIG.6

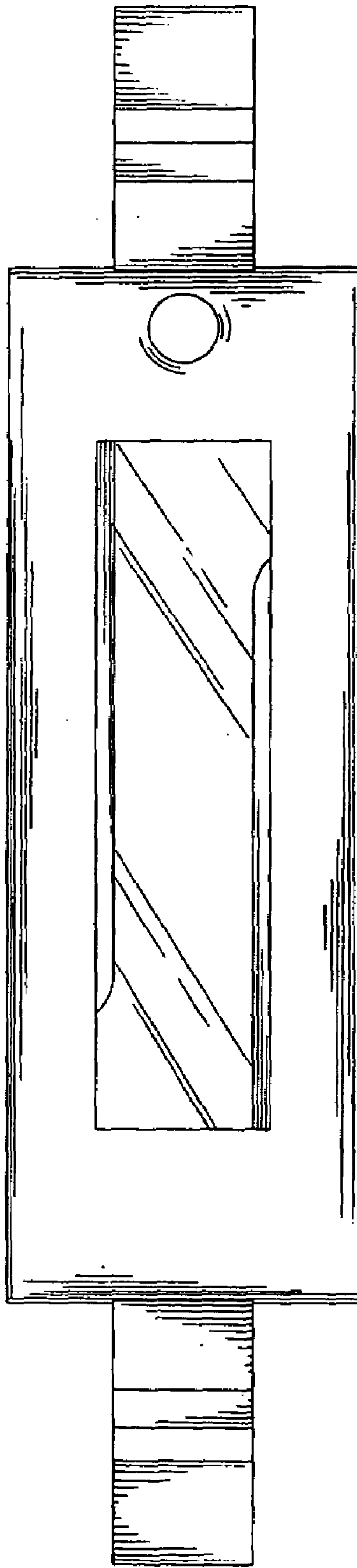


FIG. 7

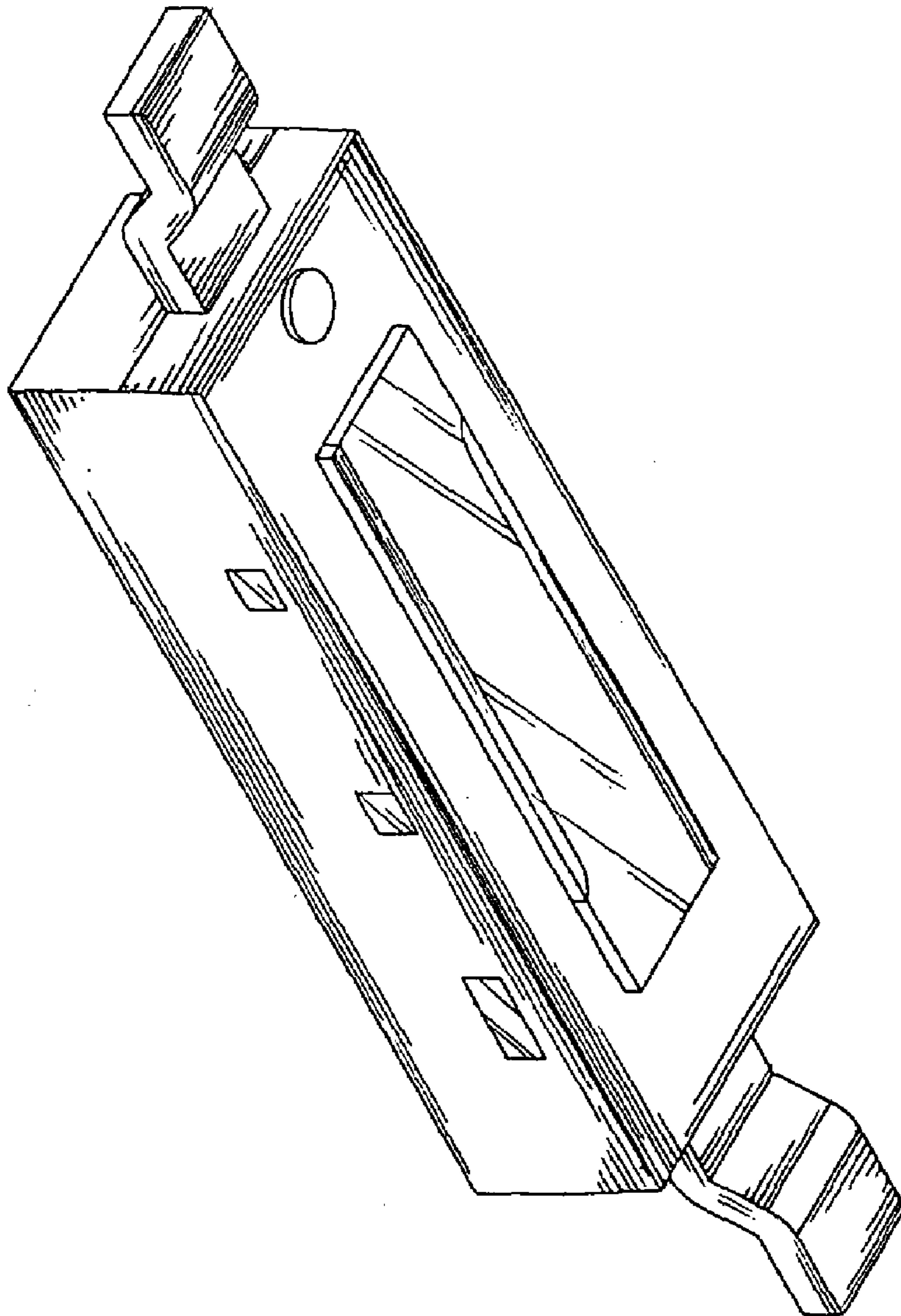


FIG. 8