



US00D562271S

(12) **United States Design Patent**  
**Son**

(10) **Patent No.:** **US D562,271 S**

(45) **Date of Patent:** **\*\* Feb. 19, 2008**

- (54) **LIGHT-EMITTING DIODE (LED)**
- (75) Inventor: **Won Jin Son**, Gwangju (KR)
- (73) Assignee: **LG Innotek Co., Ltd.**, Seoul (KR)
- (\*\*) Term: **14 Years**
- (21) Appl. No.: **29/268,303**
- (22) Filed: **Nov. 3, 2006**
- (30) **Foreign Application Priority Data**  
May 3, 2006 (KR) ..... 30-2006-0016619
- (51) **LOC (8) Cl.** ..... **13-03**
- (52) **U.S. Cl.** ..... **D13/180**
- (58) **Field of Classification Search** ..... D13/180;  
D26/2; 257/79, 80, 81, 88, 89, 95, 98, 99,  
257/100; 313/483, 498, 500; 362/555, 800  
See application file for complete search history.

(56) **References Cited**

U.S. PATENT DOCUMENTS

- D476,960 S \* 7/2003 Fukasawa et al. .... D13/182
- D478,879 S \* 8/2003 Imai ..... D13/182
- 6,677,707 B1 \* 1/2004 Dietiker ..... 313/498

- 6,799,870 B2 \* 10/2004 Lin ..... 362/294
- D499,075 S \* 11/2004 Yoon et al. .... D13/180
- 2004/0061440 A1 \* 4/2004 Iami et al. .... 313/512
- 2006/0186427 A1 \* 8/2006 Takine et al. .... 257/99

\* cited by examiner

*Primary Examiner*—Selina Sikder

(74) *Attorney, Agent, or Firm*—Birch, Stewart, Kolasch & Birch, LLP

(57) **CLAIM**

The ornamental design for a light-emitting diode (LED), as shown and described.

**DESCRIPTION**

FIG. 1 is a perspective view of the light-emitting diode (LED) showing my new design;

FIG. 2 is a front view thereof;

FIG. 3 is a rear view thereof;

FIG. 4 is a left side view thereof, the right side view being a mirror image thereof; and,

FIG. 5 is a top view thereof, the bottom view being a mirror image thereof.

**1 Claim, 2 Drawing Sheets**

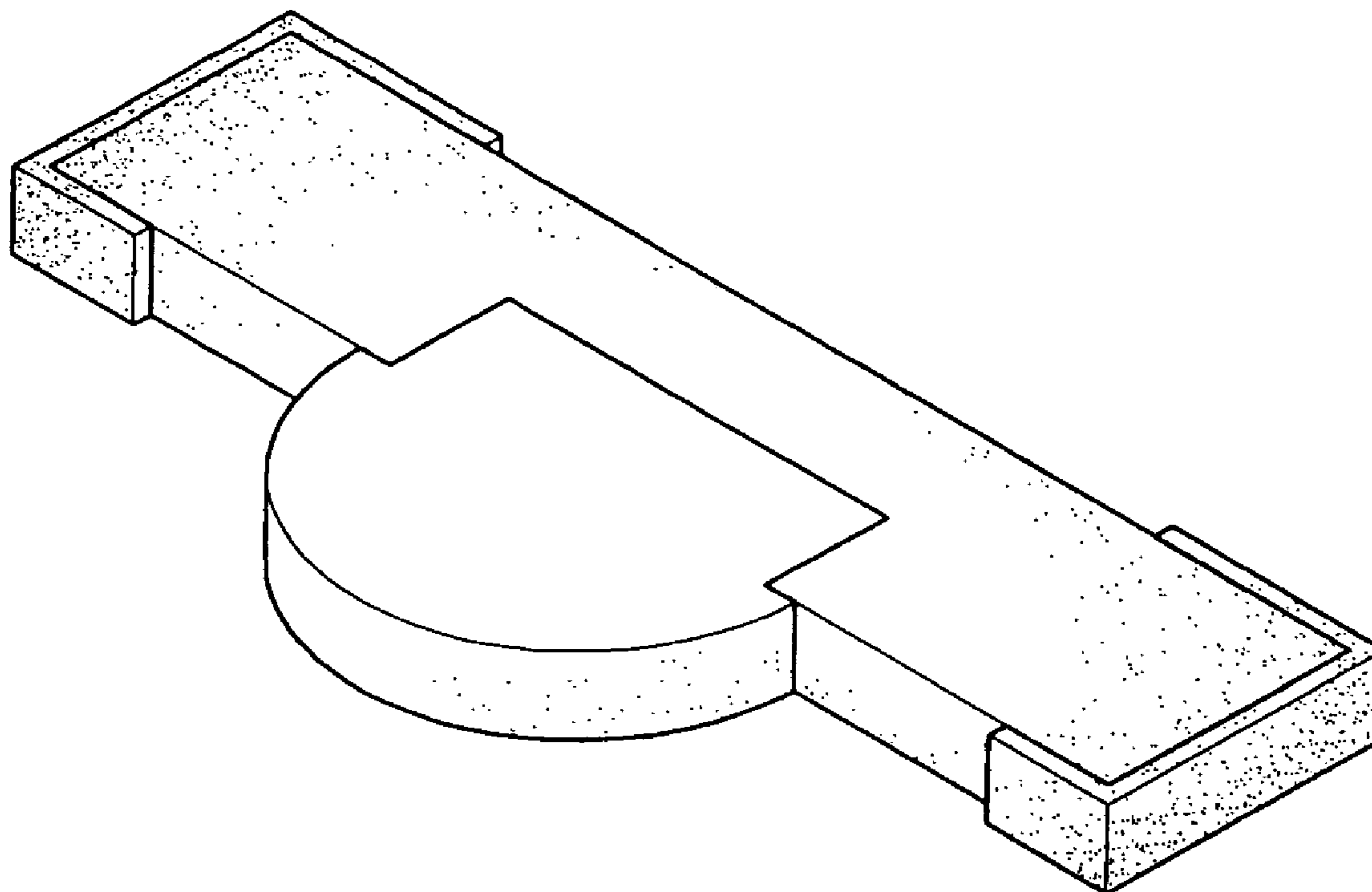


Figure 1

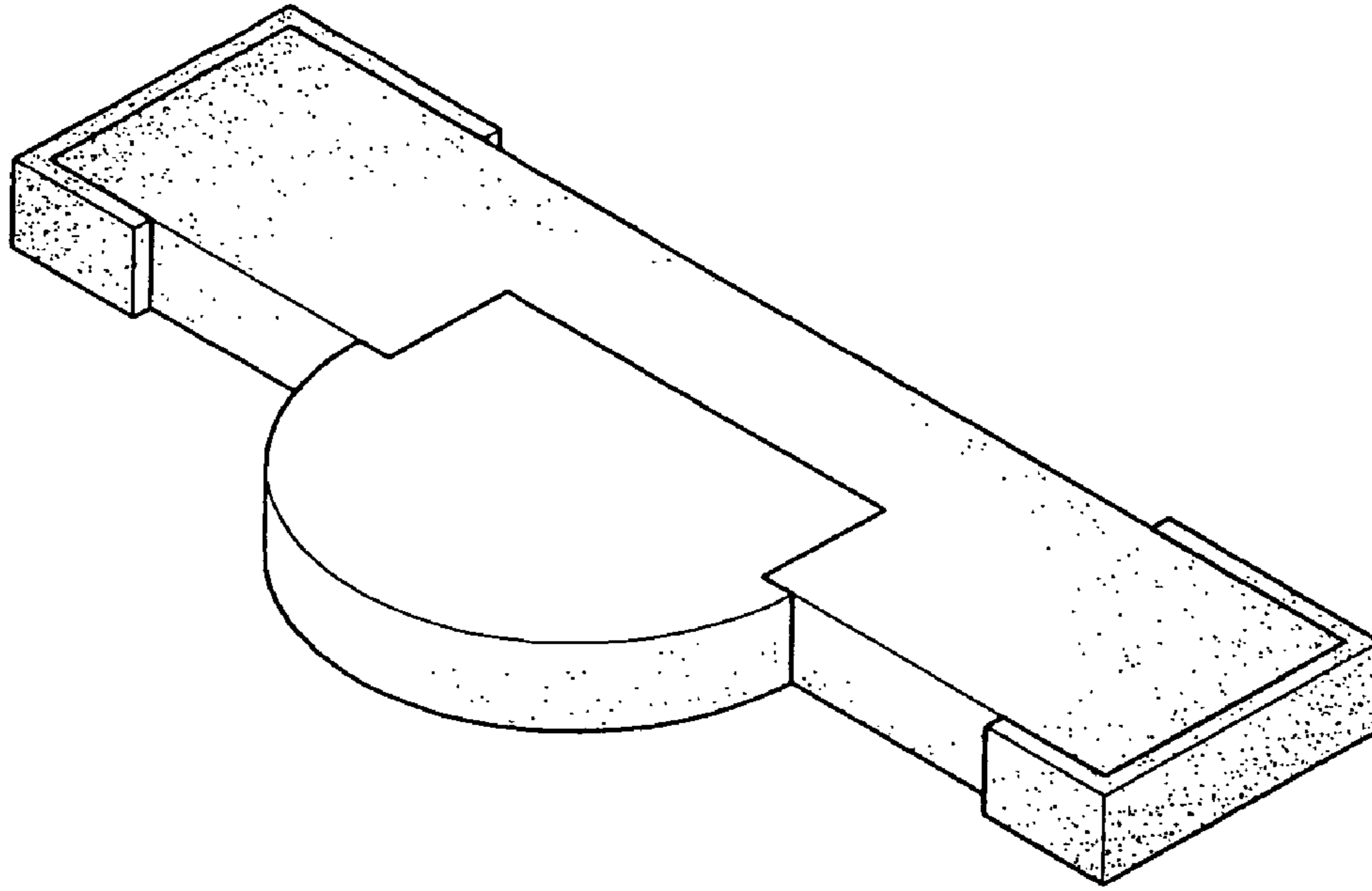


Figure 2

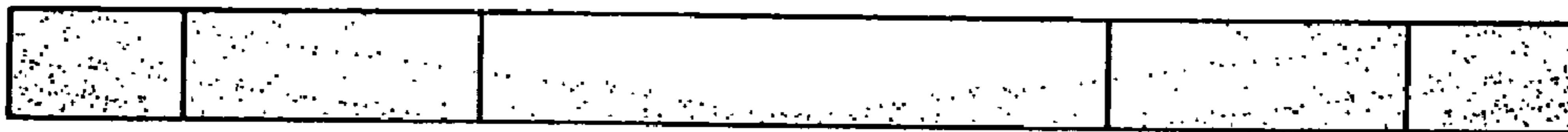


Figure 3

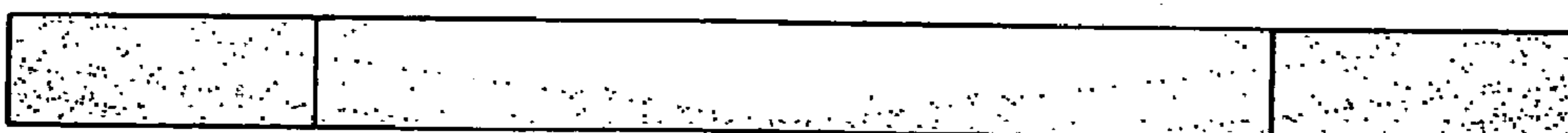


Figure 4



Figure 5

