



US00D562269S

(12) **United States Design Patent**  
**Wu et al.**

(10) **Patent No.: US D562,269 S**  
(45) **Date of Patent: \*\* Feb. 19, 2008**

(54) **EDGE-EMITTING LIGHT EMITTING DIODE COMPONENT**

(75) Inventors: **Chung-Chan Wu**, Taipei (TW);  
**Chen-Hsiu Lin**, Taipei Hsien (TW)

(73) Assignee: **Lite-On Technology Corp.**, Neihu,  
Taipei (TW)

(\*\*) Term: **14 Years**

(21) Appl. No.: **29/248,398**

(22) Filed: **Aug. 15, 2006**

**Related U.S. Application Data**

(62) Division of application No. 29/237,841, filed on Sep. 8, 2005, now Pat. No. Des. 533,146.

(30) **Foreign Application Priority Data**

Jun. 13, 2005 (TW) ..... 94303508

(51) **LOC (8) Cl.** ..... **13-03**

(52) **U.S. Cl.** ..... **D13/180**

(58) **Field of Classification Search** ..... D13/180;  
D26/2; 257/79, 80, 81, 82, 88, 89, 95, 98,  
257/99, 100, 678, 680, 433, 434; 313/483,  
313/498, 500; 361/820; 362/555, 800  
See application file for complete search history.

(56) **References Cited**

**U.S. PATENT DOCUMENTS**

D259,708 S 6/1981 Swinstead  
D267,352 S 12/1982 Suzuki  
4,466,050 A 8/1984 Lockard  
D278,999 S 5/1985 Zimmerman  
D290,411 S 6/1987 Caine  
D300,570 S 4/1989 DeCandia  
D304,623 S 11/1989 Roulstone  
D315,610 S 3/1991 Joosten et al.

D355,502 S 2/1995 Liao  
D420,458 S 2/2000 Guercio  
D434,515 S 11/2000 McNamara  
6,238,076 B1 5/2001 Dealey et al.  
D446,499 S 8/2001 Andre et al.  
6,335,996 B1 1/2002 Yamaguchi  
D454,110 S 3/2002 Andre et al.  
D467,359 S 12/2002 Yiu  
D478,877 S 8/2003 Hoshiba  
6,659,799 B2 12/2003 Yang  
D495,668 S 9/2004 Kim et al.  
D496,007 S 9/2004 Hoshiba  
D504,404 S 4/2005 Ishida  
D506,449 S 6/2005 Hoshiba  
D512,031 S 11/2005 Ishida  
D515,044 S 2/2006 Ishida  
D533,146 S \* 12/2006 Wu et al. .... D13/180  
2002/0149314 A1 10/2002 Takahashi et al.

\* cited by examiner

*Primary Examiner*—Selina Sikder

(74) *Attorney, Agent, or Firm*—Winston Hsu

(57) **CLAIM**

The ornamental design for an edge-emitting light emitting diode component, as shown and described.

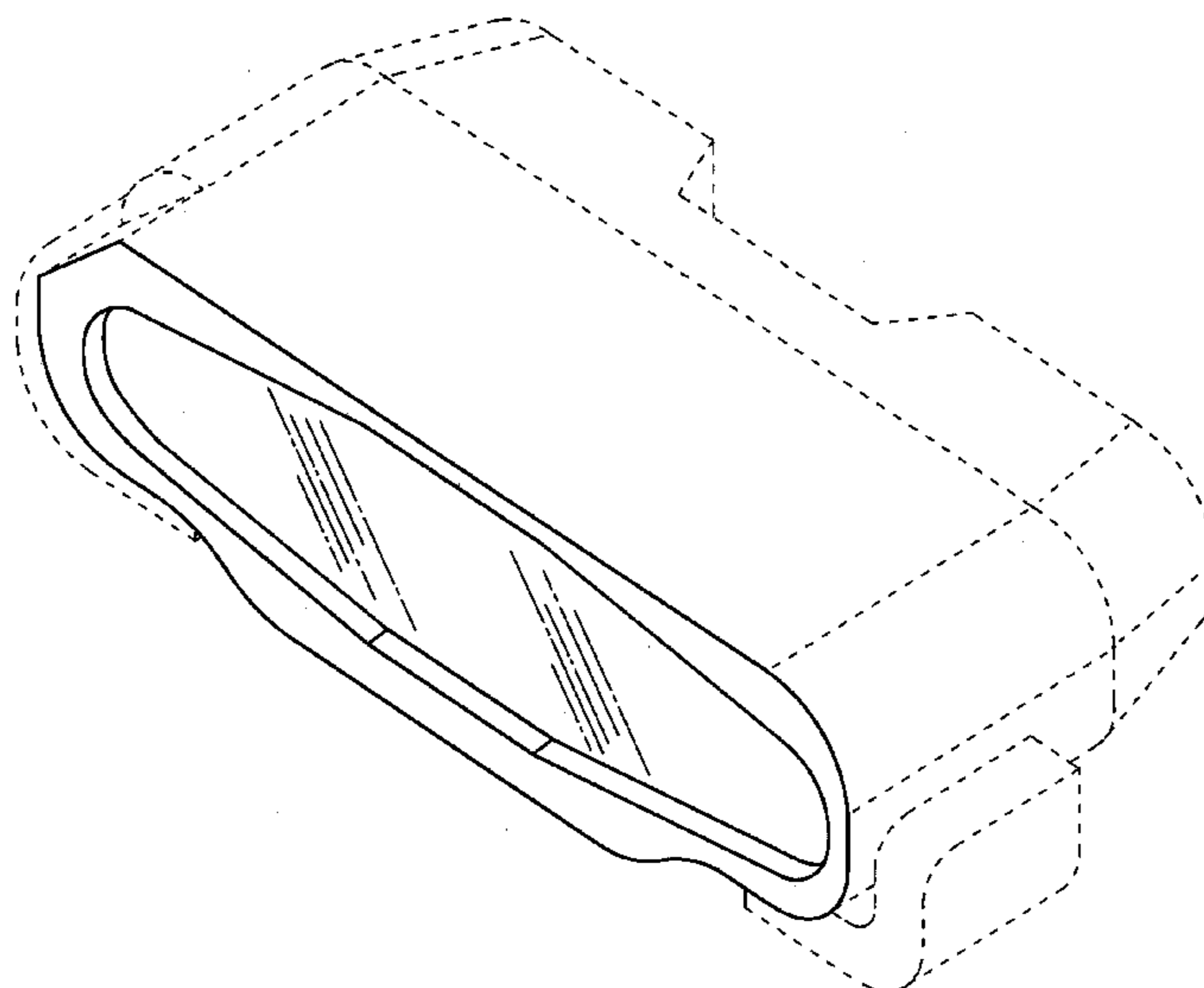
**DESCRIPTION**

FIG. 1 is a perspective view of an edge-emitting light emitting diode component having a window structure formed on the housing for emitting light generated by an internal light emitting diode according to the new design; and,

FIG. 2 is a front view thereof.

The broken lines showing the main body and the surface shading shown on surfaces not fully defined by solid lines are only for illustrative purposes and form no part of the claimed design.

**1 Claim, 2 Drawing Sheets**



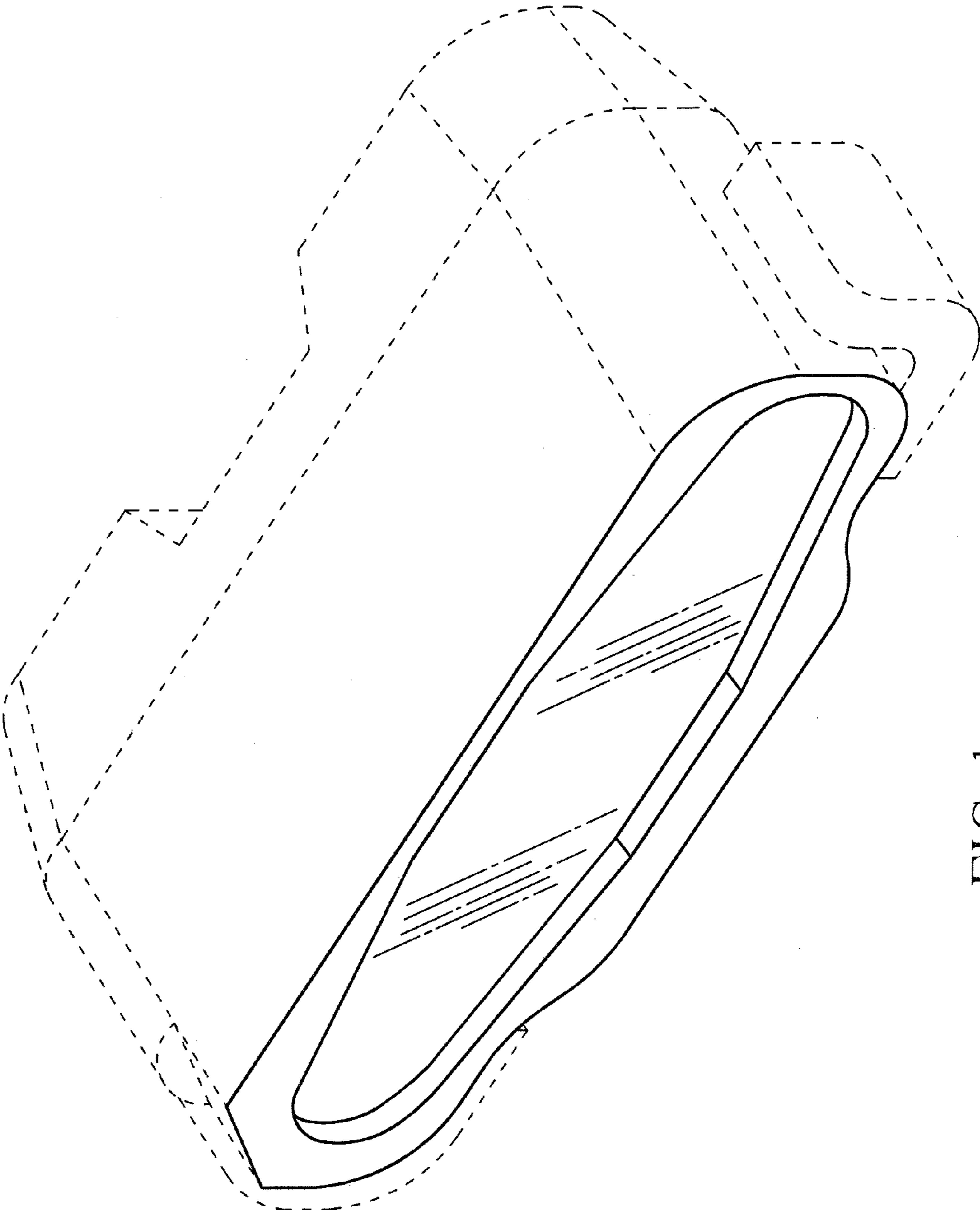


FIG. 1

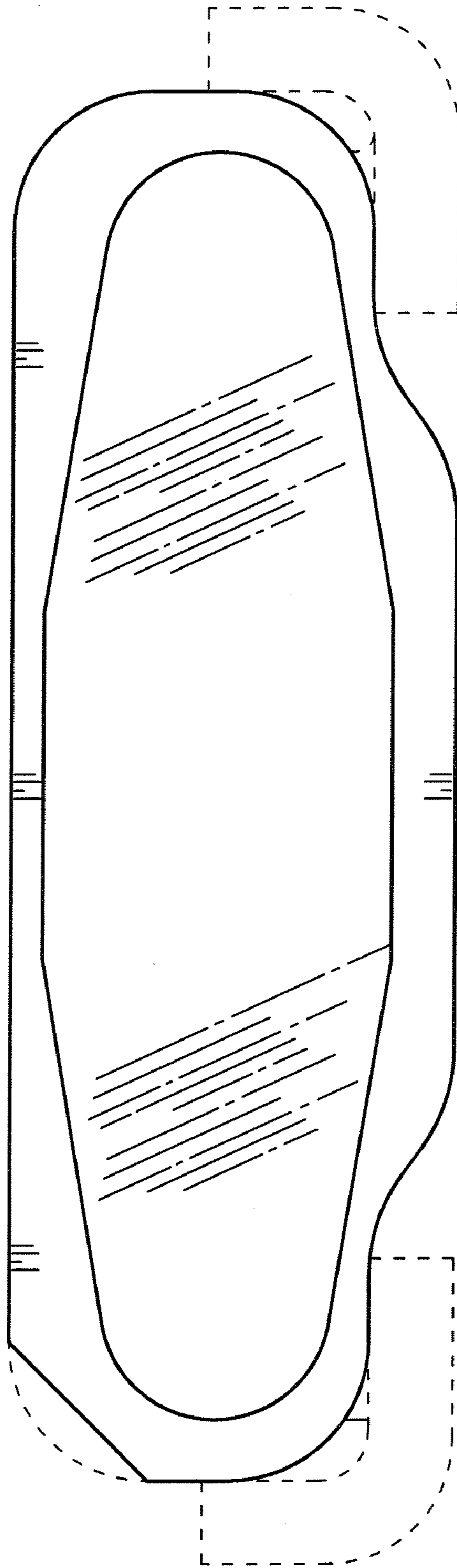


FIG. 2