



US00D562268S

(12) **United States Design Patent**  
**Lee et al.**

(10) **Patent No.:** **US D562,268 S**  
(45) **Date of Patent:** **\*\* Feb. 19, 2008**

(54) **LIGHT EMITTING DIODE POSITIONING STRUCTURE**

6,176,600 B1 \* 1/2001 Huang ..... 362/396  
6,376,776 B2 \* 4/2002 Akizuki ..... 174/138 G  
6,486,406 B1 \* 11/2002 Greco et al. .... 174/138 R  
6,501,030 B1 \* 12/2002 Parizi et al. .... 174/250

(75) Inventors: **Ming-Shun Lee**, Taipei (TW); **Wen-Fa Kuo**, Taipei (TW)

\* cited by examiner

(73) Assignee: **Taiwan Oasis Technology Co., Ltd.**, Taipei (TW)

*Primary Examiner*—Selina Sikder  
(74) *Attorney, Agent, or Firm*—Troxell Law Office, PLLC

(\*\*) Term: **14 Years**

(57) **CLAIM**

(21) Appl. No.: **29/238,720**

The ornamental design for the “light emitting diode positioning structure,” as shown and described.

(22) Filed: **Sep. 21, 2005**

(51) **LOC (8) Cl.** ..... **13-03**

(52) **U.S. Cl.** ..... **D13/180**

(58) **Field of Classification Search** ..... D13/154,  
D13/182; 174/138 G; 257/727, E33.058;  
361/758; 362/396, 800

See application file for complete search history.

**DESCRIPTION**

FIG. 1 is a perspective view showing our new light emitting diode positioning structure;

FIG. 2 is a front elevational view thereof;

FIG. 3 is a rear elevational view thereof;

FIG. 4 is a bottom plan view thereof;

FIG. 5 is a top plan view thereof;

FIG. 6 is a right side elevational view thereof; and,

FIG. 7 is a left side elevational view thereof.

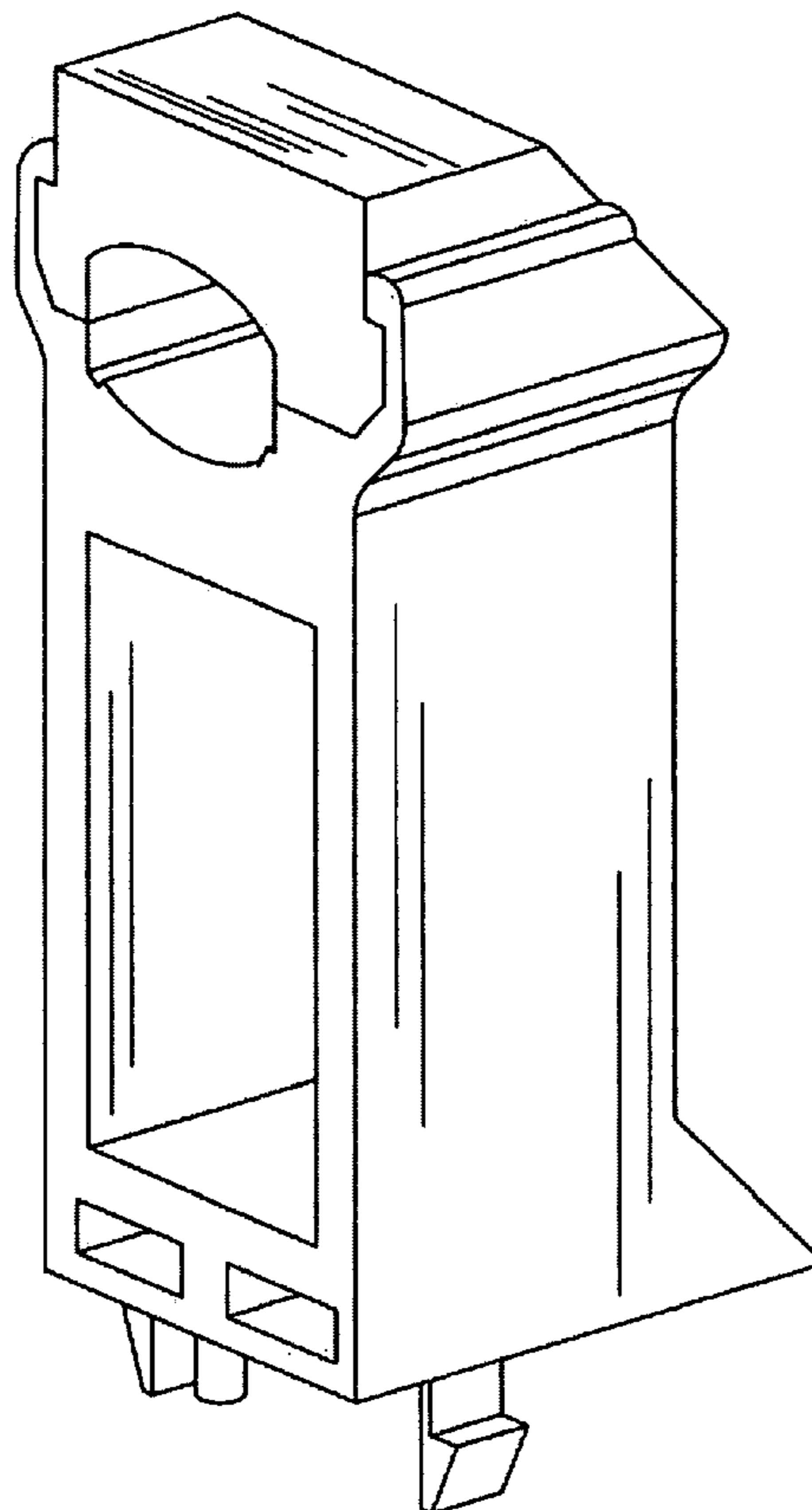
The broken lines represent unclaimed subject matter.

(56) **References Cited**

U.S. PATENT DOCUMENTS

4,219,172 A \* 8/1980 Murayama ..... 248/27.3  
4,507,718 A \* 3/1985 Bury ..... 362/396  
4,589,794 A \* 5/1986 Sugiura et al. .... 403/187  
5,126,929 A \* 6/1992 Cheselske ..... 362/363  
D367,468 S \* 2/1996 Nakamura ..... D13/154

**1 Claim, 7 Drawing Sheets**



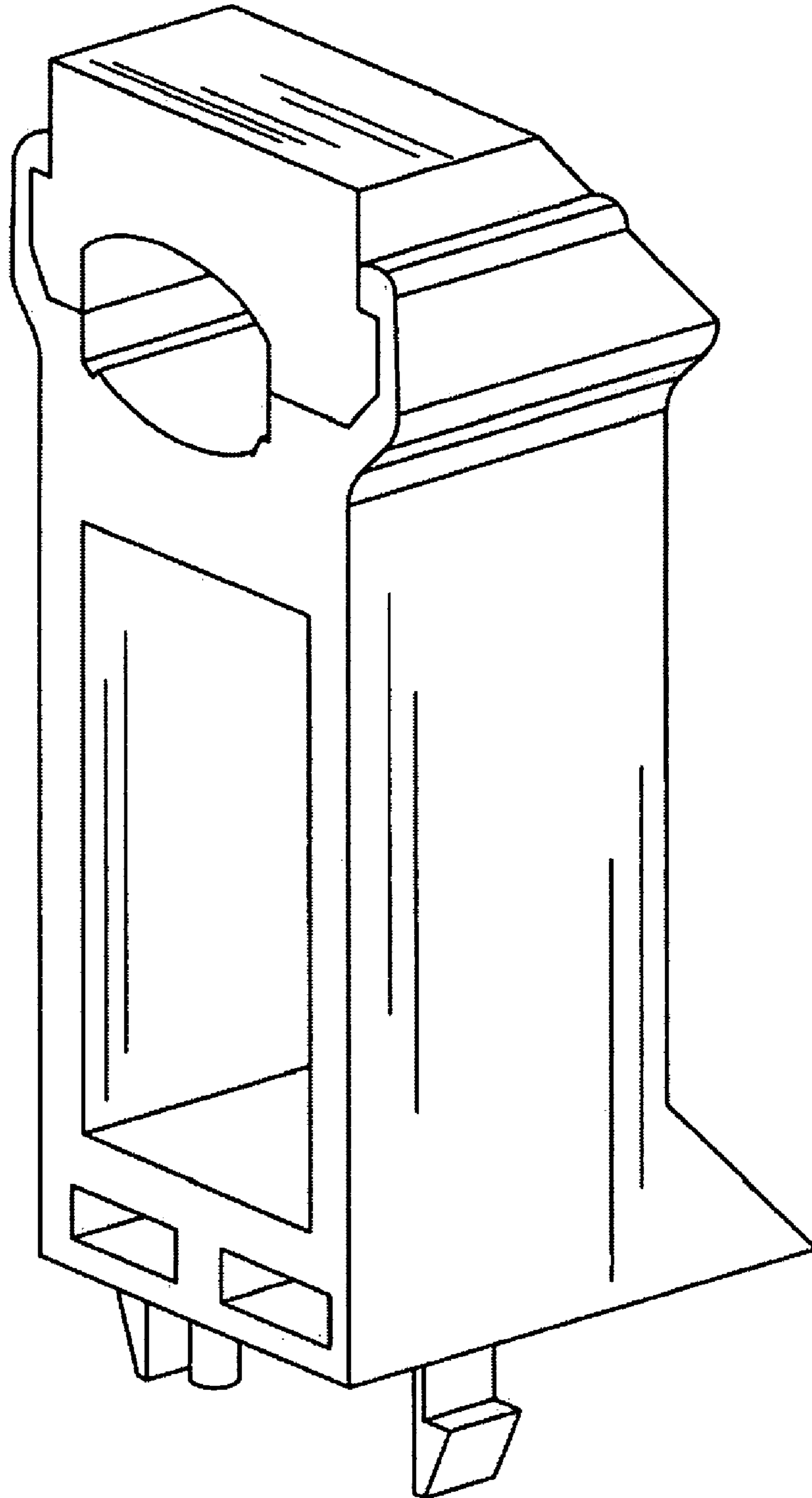


FIG. 1

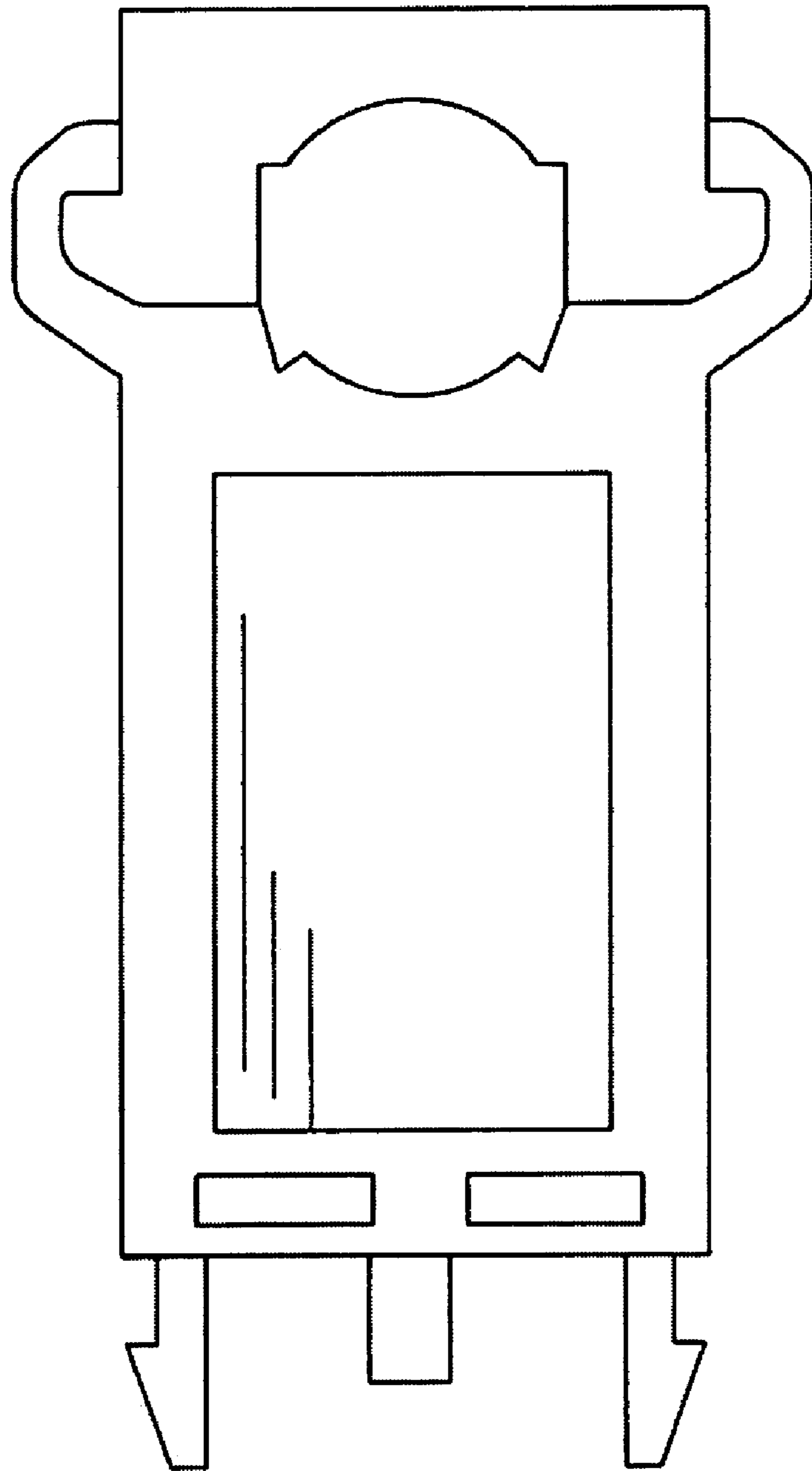


FIG.2

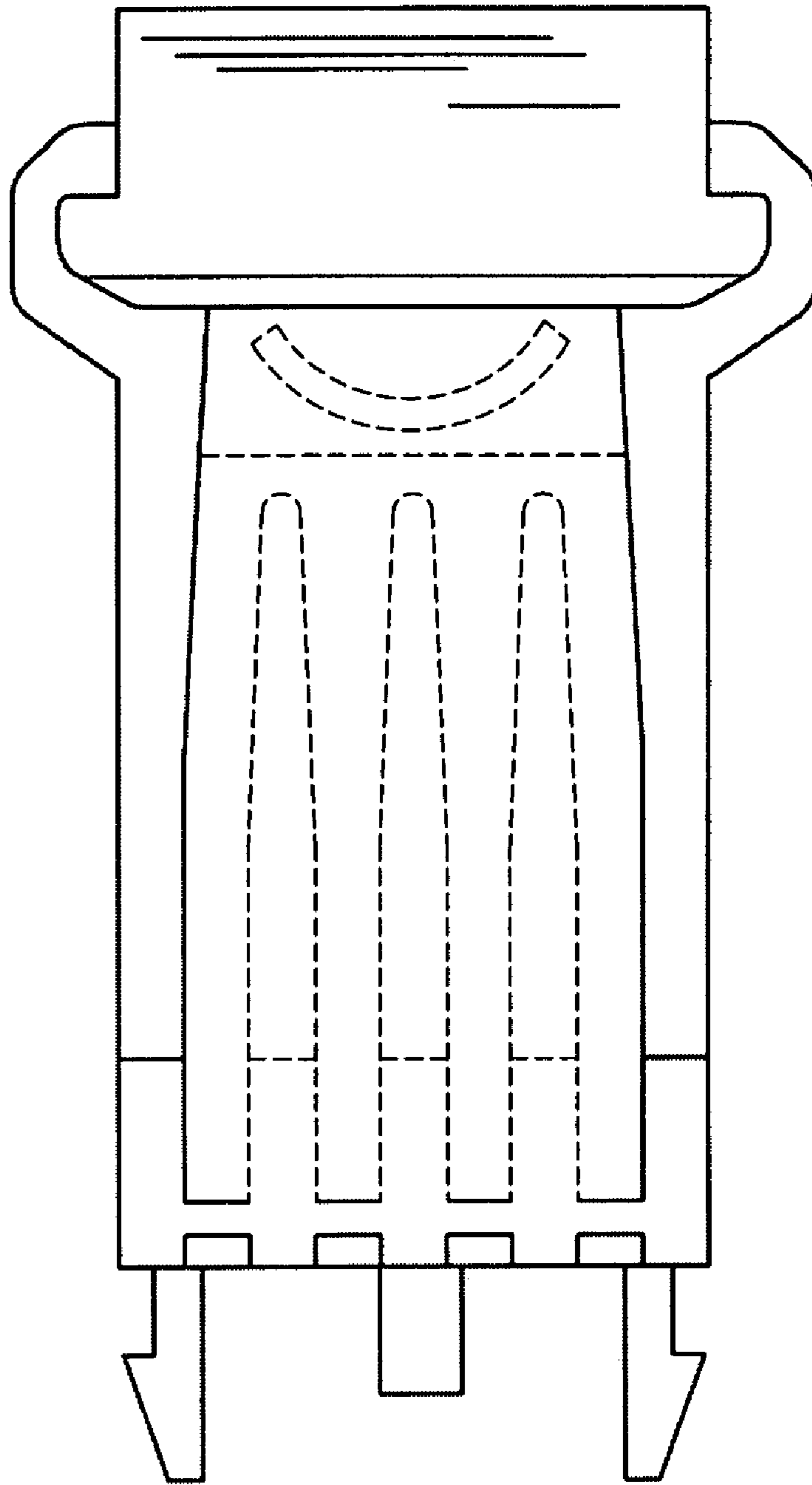


FIG. 3

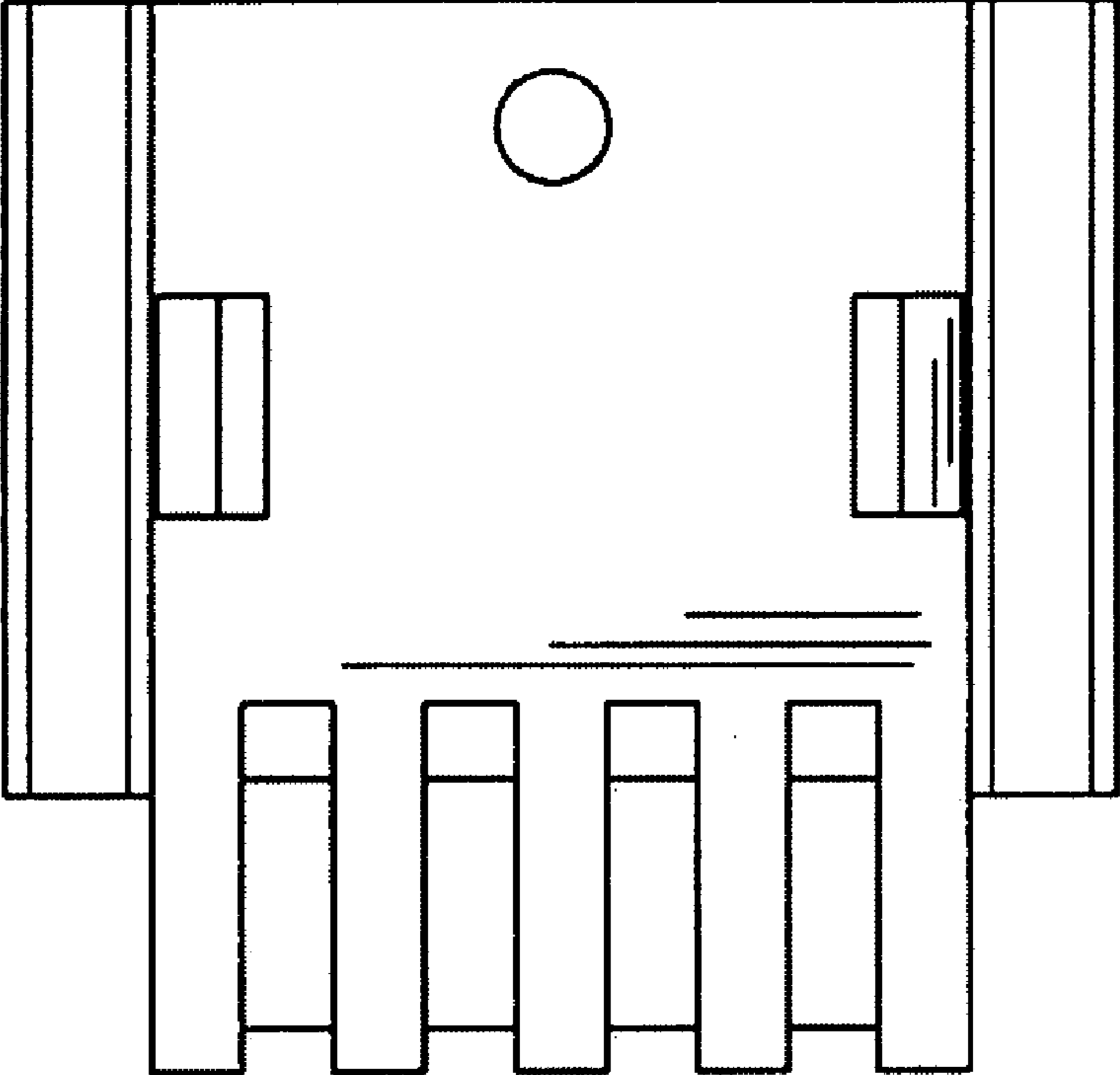


FIG. 4

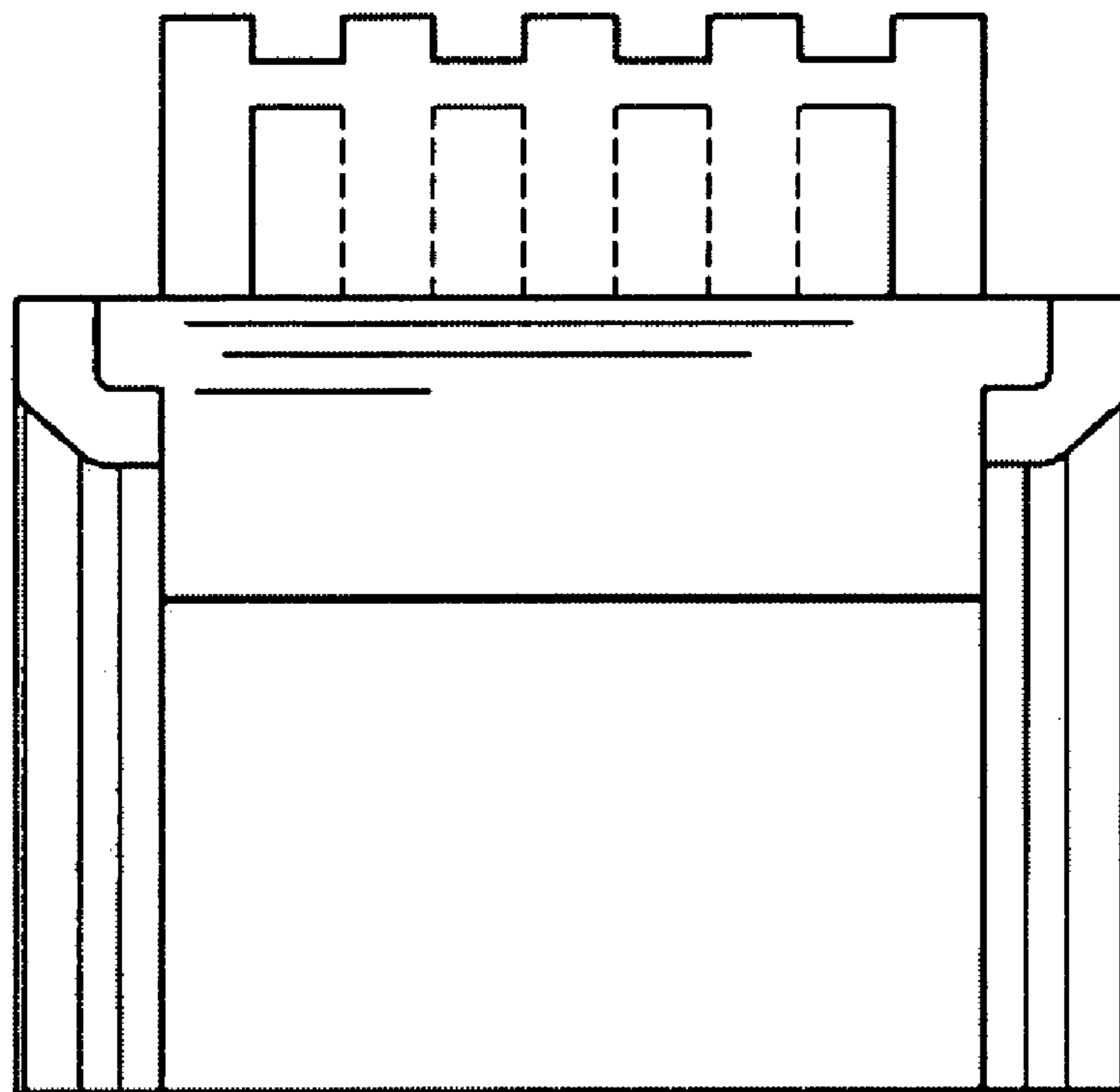


FIG.5

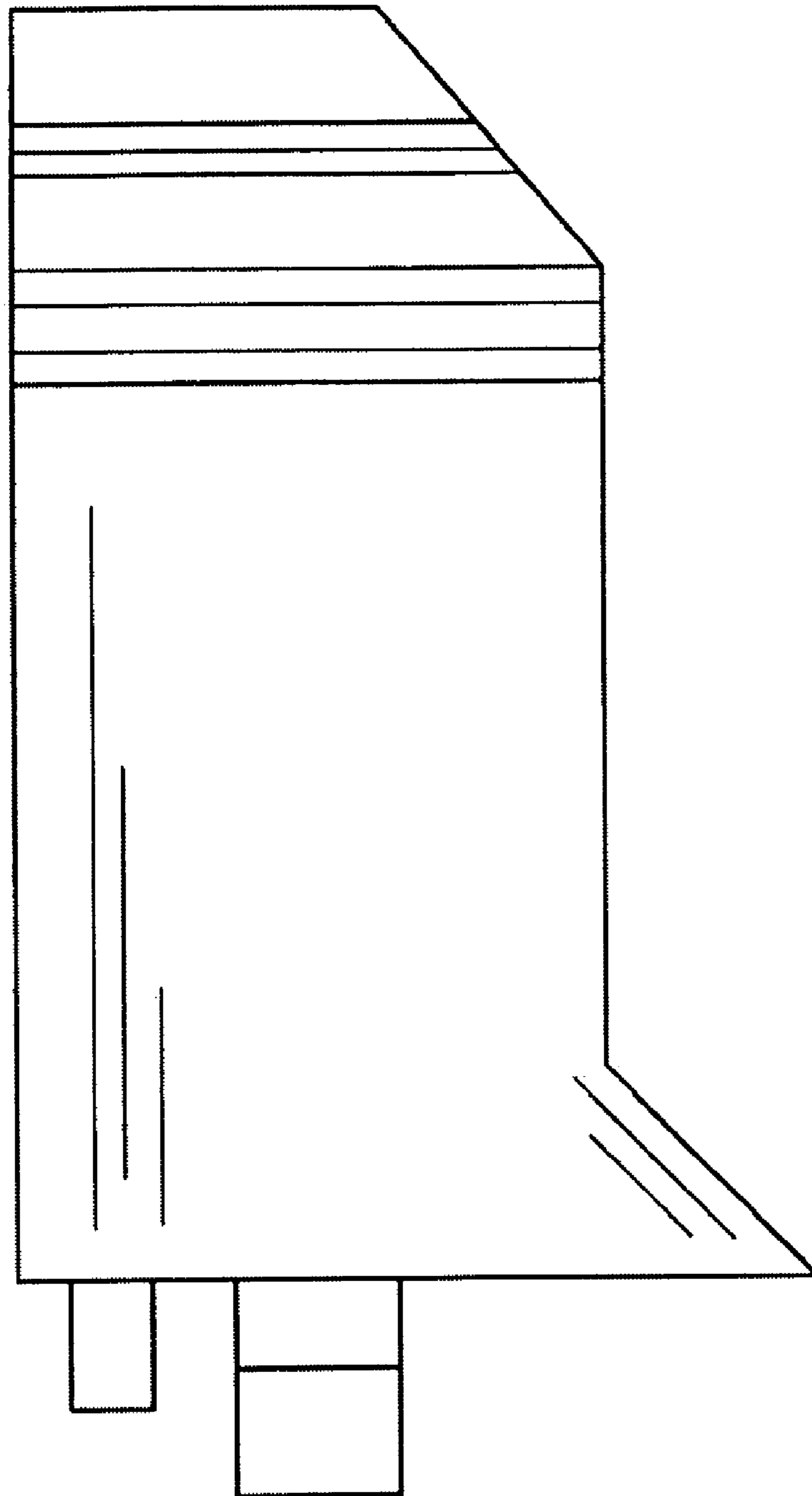


FIG. 6

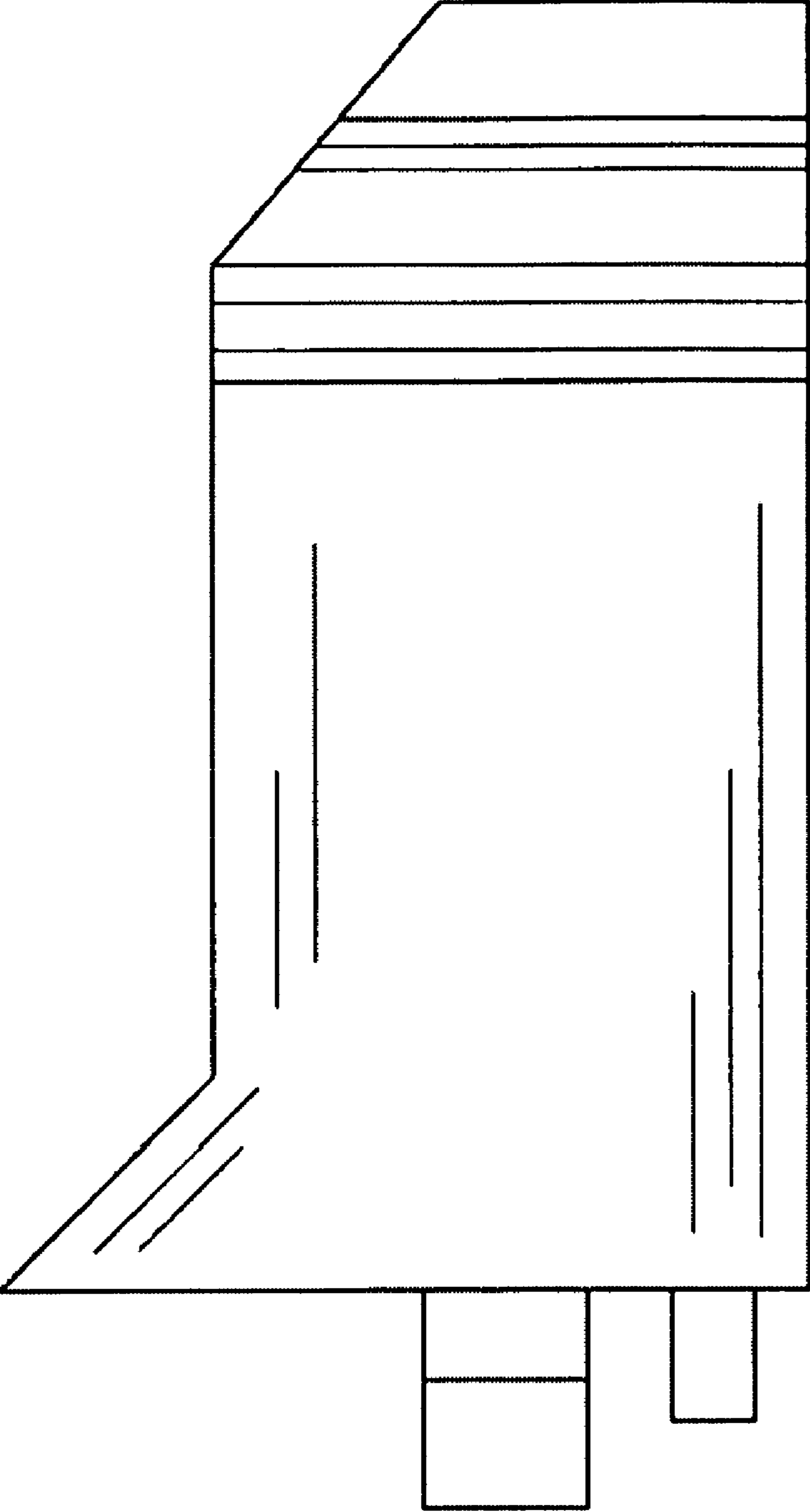


FIG. 7