



US00D562265S

(12) **United States Design Patent**
Winkler

(10) **Patent No.:** **US D562,265 S**

(45) **Date of Patent:** **** Feb. 19, 2008**

(54) **CIRCUIT BREAKER/SWITCH**

(75) Inventor: **Gerald Winkler**, Herzogenaurach (DE)

(73) Assignee: **Ellenberger & Poensgen GmbH**,
Altdorf (DE)

(**) Term: **14 Years**

(21) Appl. No.: **29/256,484**

(22) Filed: **Mar. 22, 2006**

(30) **Foreign Application Priority Data**

Sep. 22, 2005 (EM) 000404967-0001

(51) **LOC (8) Cl.** **13-03**

(52) **U.S. Cl.** **D13/169**

(58) **Field of Classification Search** D13/158,
D13/169, 171, 174; 256/484; 200/5 A,
200/6 R, 293, 329, 315, 332, 339, 433, 553,
200/1 B; 307/112, 157; 315/129, 136, 291,
315/307, 312, 362; 337/126; 361/681

See application file for complete search history.

(56) **References Cited**

U.S. PATENT DOCUMENTS

| | | | | |
|--------------|---------|-----------------|-------|---------|
| D328,454 S * | 8/1992 | Sorenson et al. | | D13/174 |
| D341,568 S * | 11/1993 | Sorenson et al. | | D13/174 |
| D403,306 S * | 12/1998 | LeClair et al. | | D13/169 |
| D447,123 S * | 8/2001 | Winkler | | D13/158 |
| D471,163 S * | 3/2003 | Yu | | D13/169 |
| D502,149 S * | 2/2005 | Bohn et al. | | D13/169 |
| D504,668 S * | 5/2005 | Fort et al. | | D13/171 |

OTHER PUBLICATIONS

Potter & Brumfield catalog; p. 137; Dec. 26, 1985.*
McGill Switch Catalog; 1989; front ,back, outside and inside covers
(show color variation).*

* cited by examiner

Primary Examiner—Selina Sikder

Assistant Examiner—Thomas J Johannes

(74) *Attorney, Agent, or Firm*—Venable LLP; Robert Kinberg

(57) **CLAIM**

The ornamental design for a circuit breaker/switch, as shown and described.

DESCRIPTION

FIG. 1 is a color photo of a front view of a first embodiment of a circuit breaker/ switch showing our new design;

FIG. 2 is a color photo of a rear view of the design shown in FIG. 1;

FIG. 3 is a color photo of a right side view of the design shown in FIG. 1;

FIG. 4 is a color photo of a left side view of the design shown in FIG. 1;

FIG. 5 is a color photo of a top view of the design shown in FIG. 1;

FIG. 6 is a color photo of a bottom view of the design shown in FIG. 1;

FIG. 7 is a front view of a second embodiment of a circuit breaker/switch showing our new design;

FIG. 8 is a rear view of the design shown in FIG. 7;

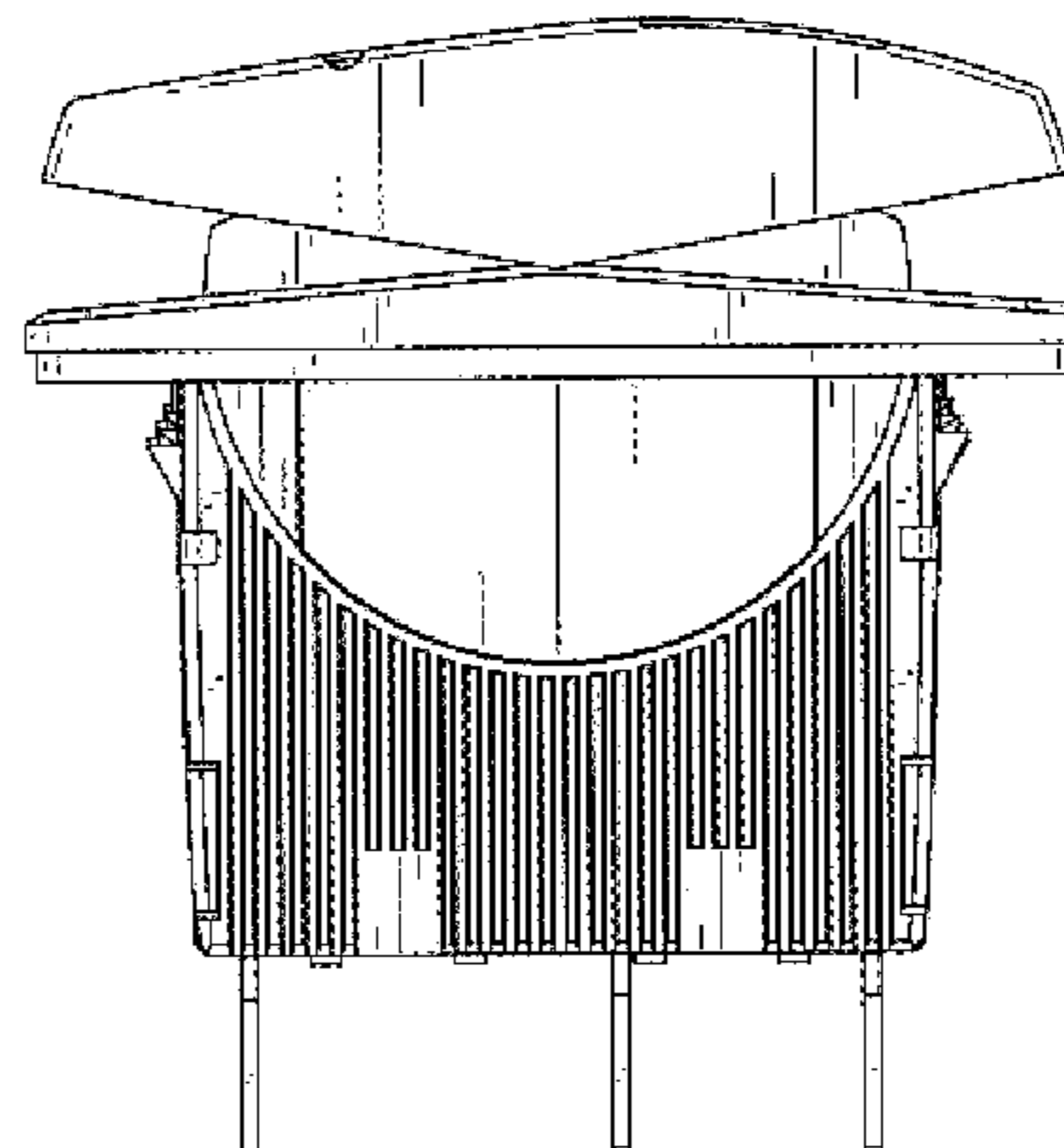
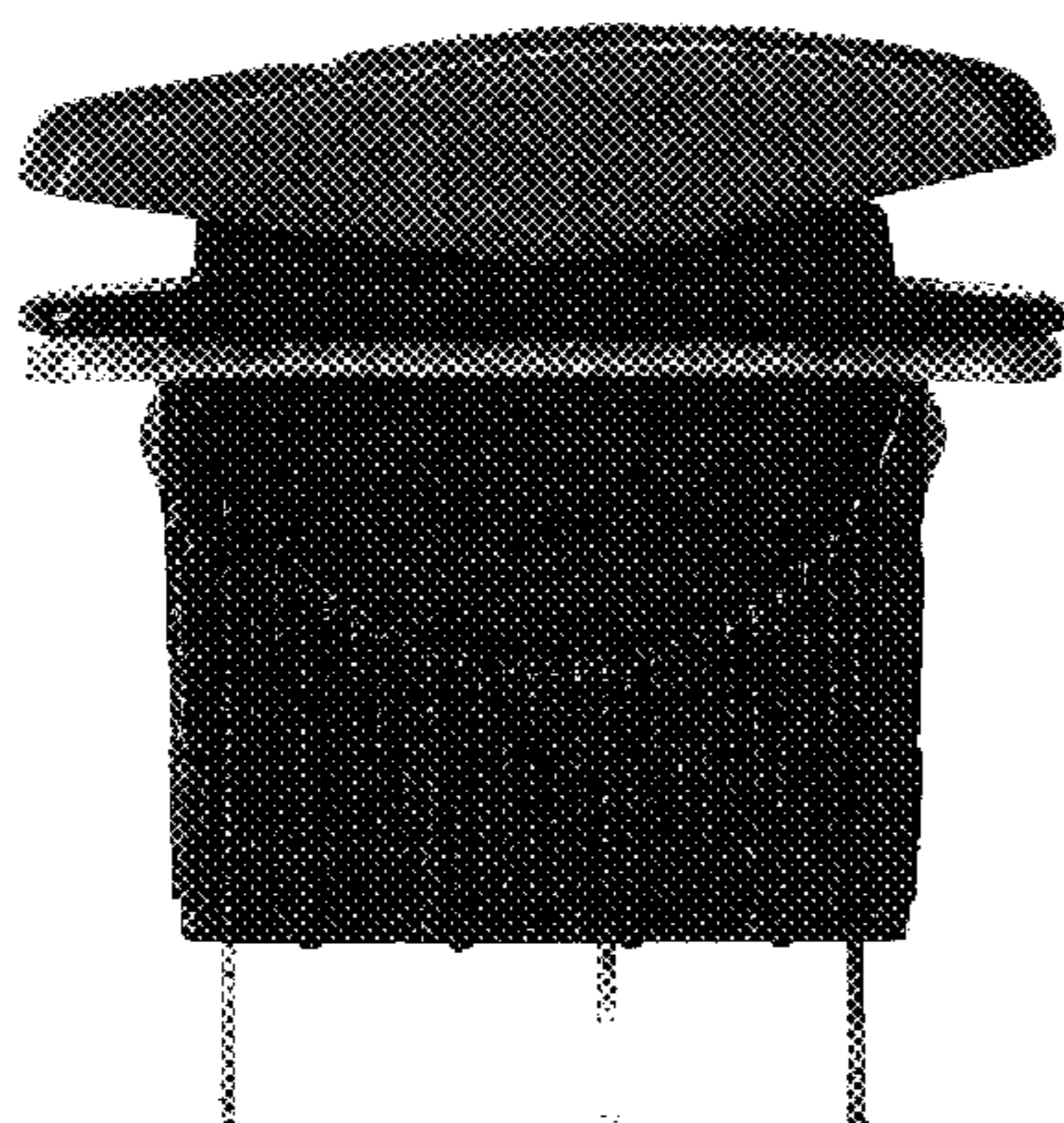
FIG. 9 is a right side view of the design shown in FIG. 7;

FIG. 10 is a left side view of the design shown in FIG. 7;

FIG. 11 is a top side view of the design shown in FIG. 7; and,

FIG. 12 is a bottom side view of the design shown in FIG. 7.

1 Claim, 12 Drawing Sheets



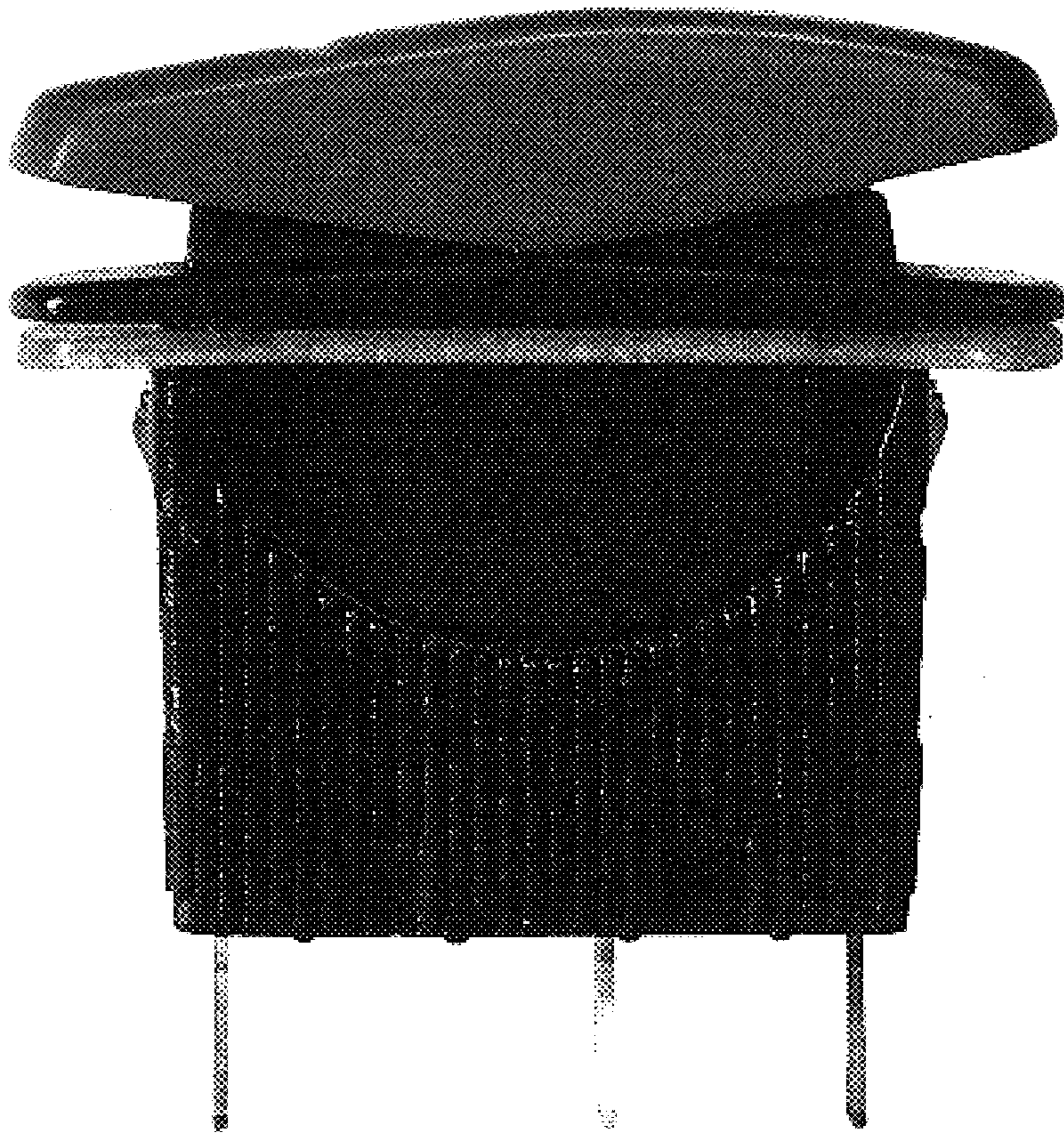


Fig. 1

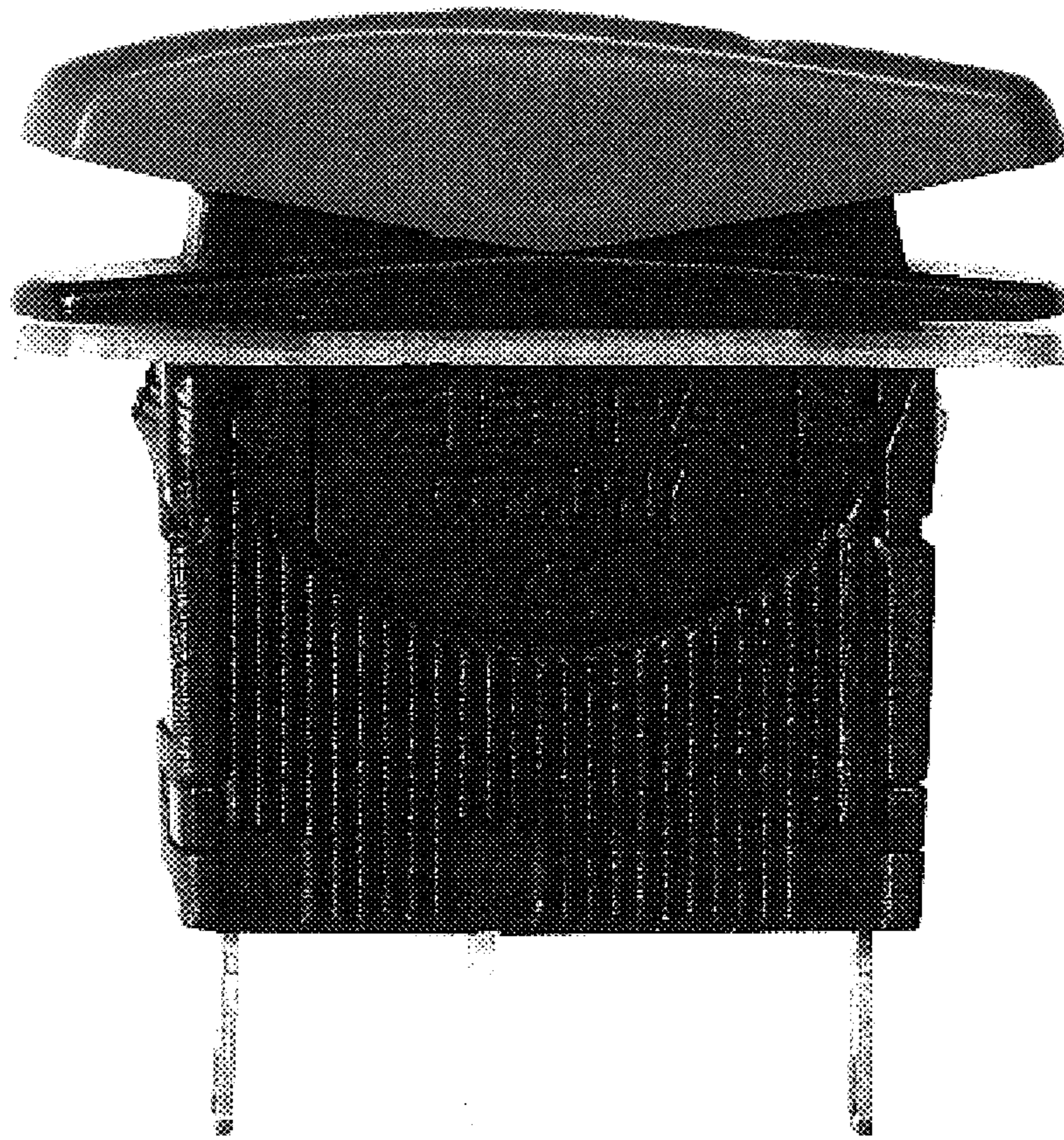


Fig. 2

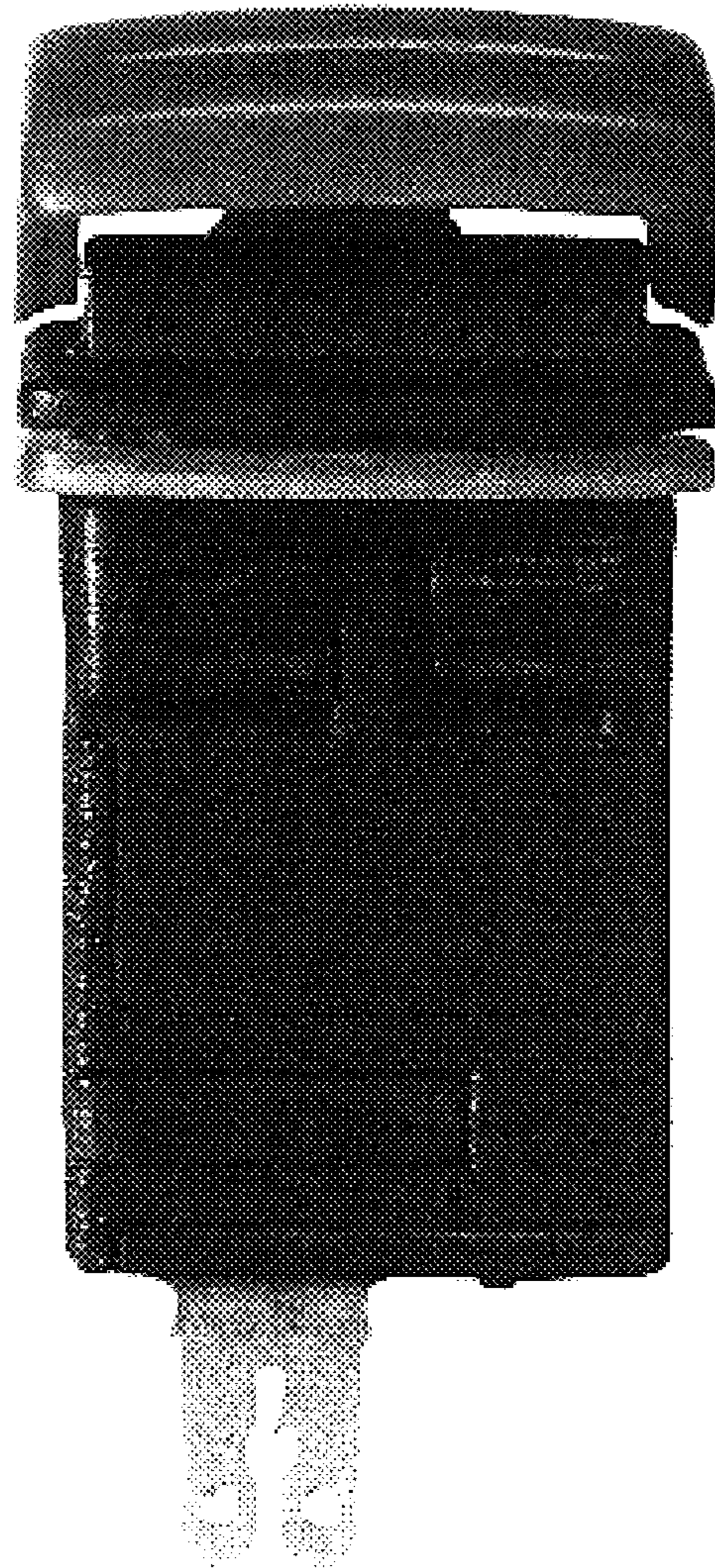


Fig. 3

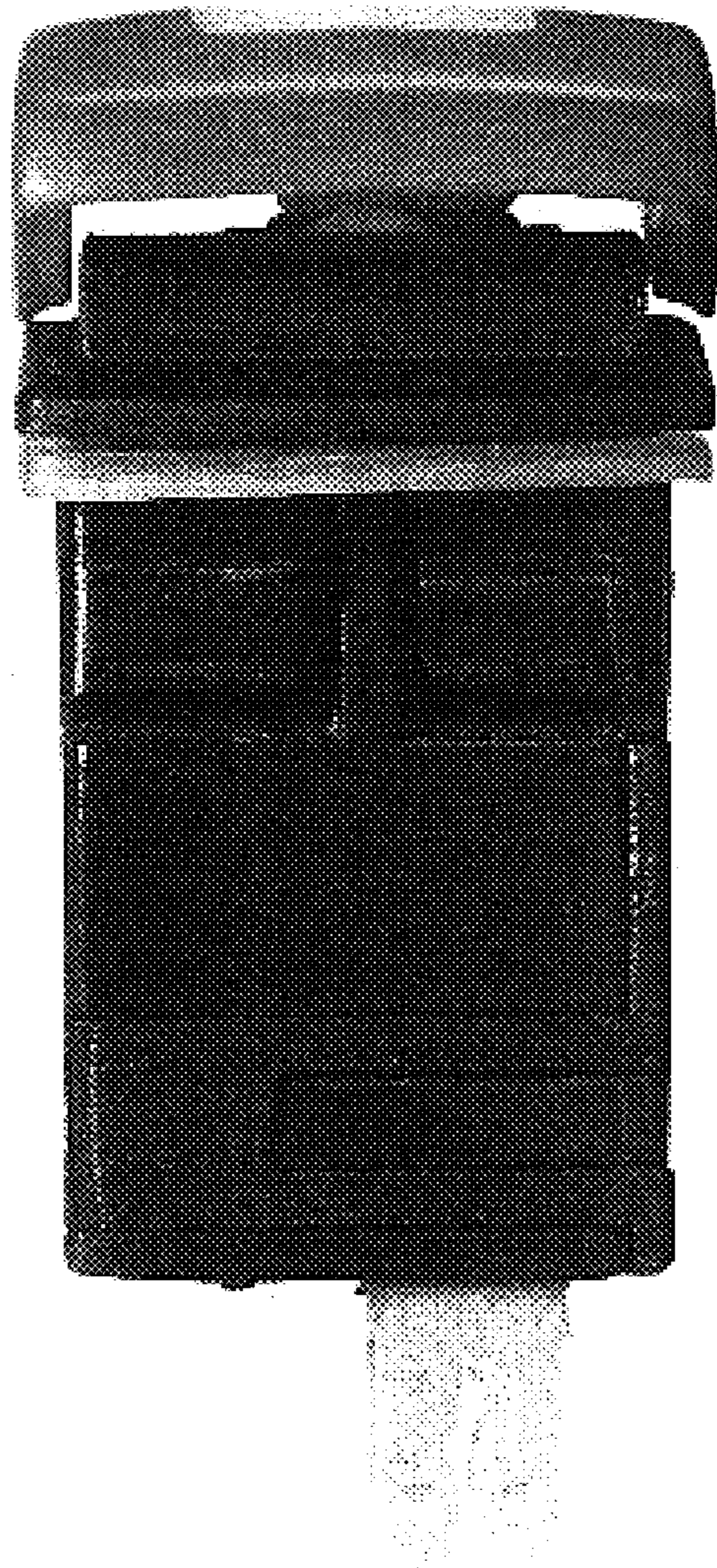


Fig. 4

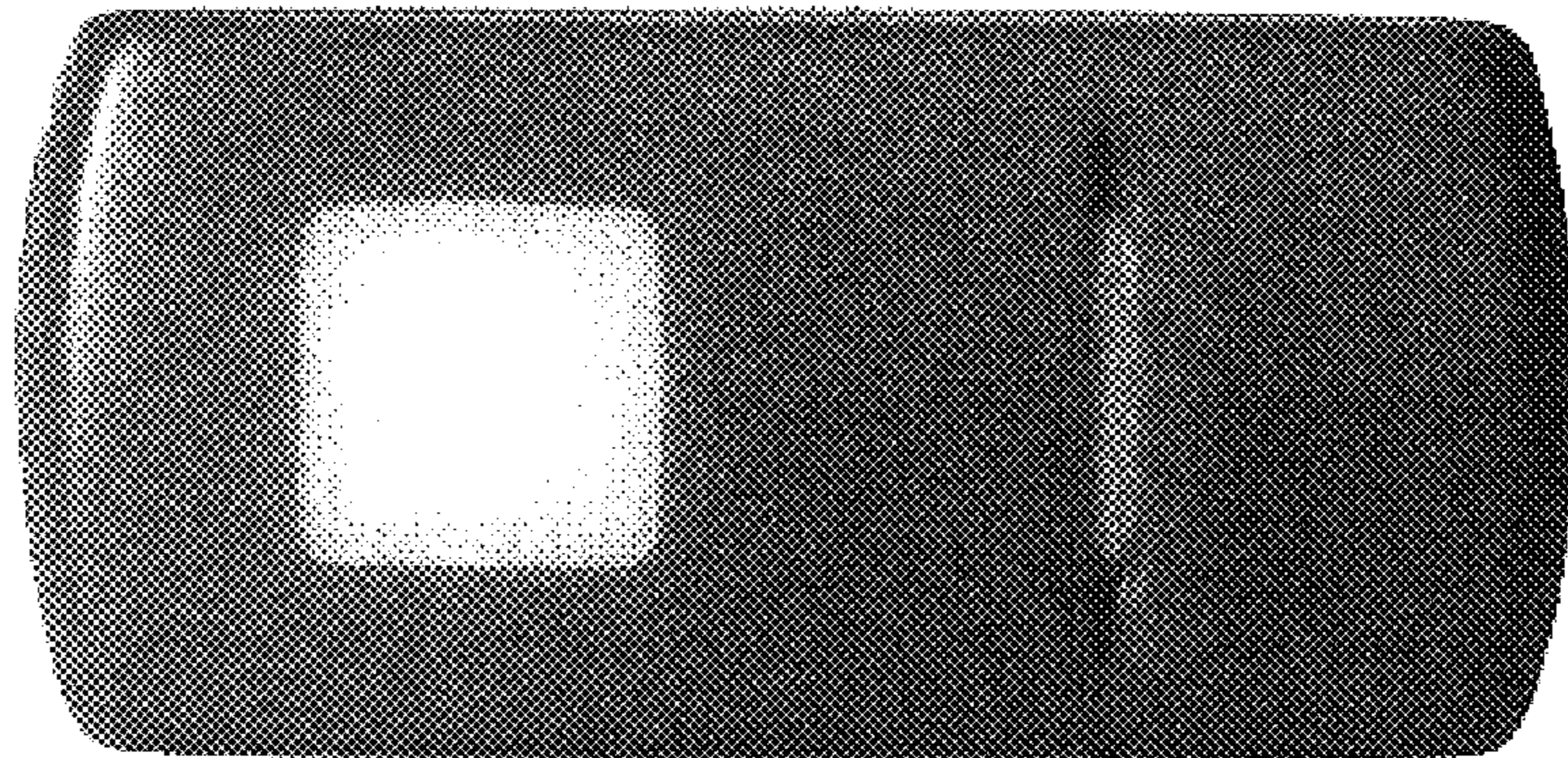


Fig. 5

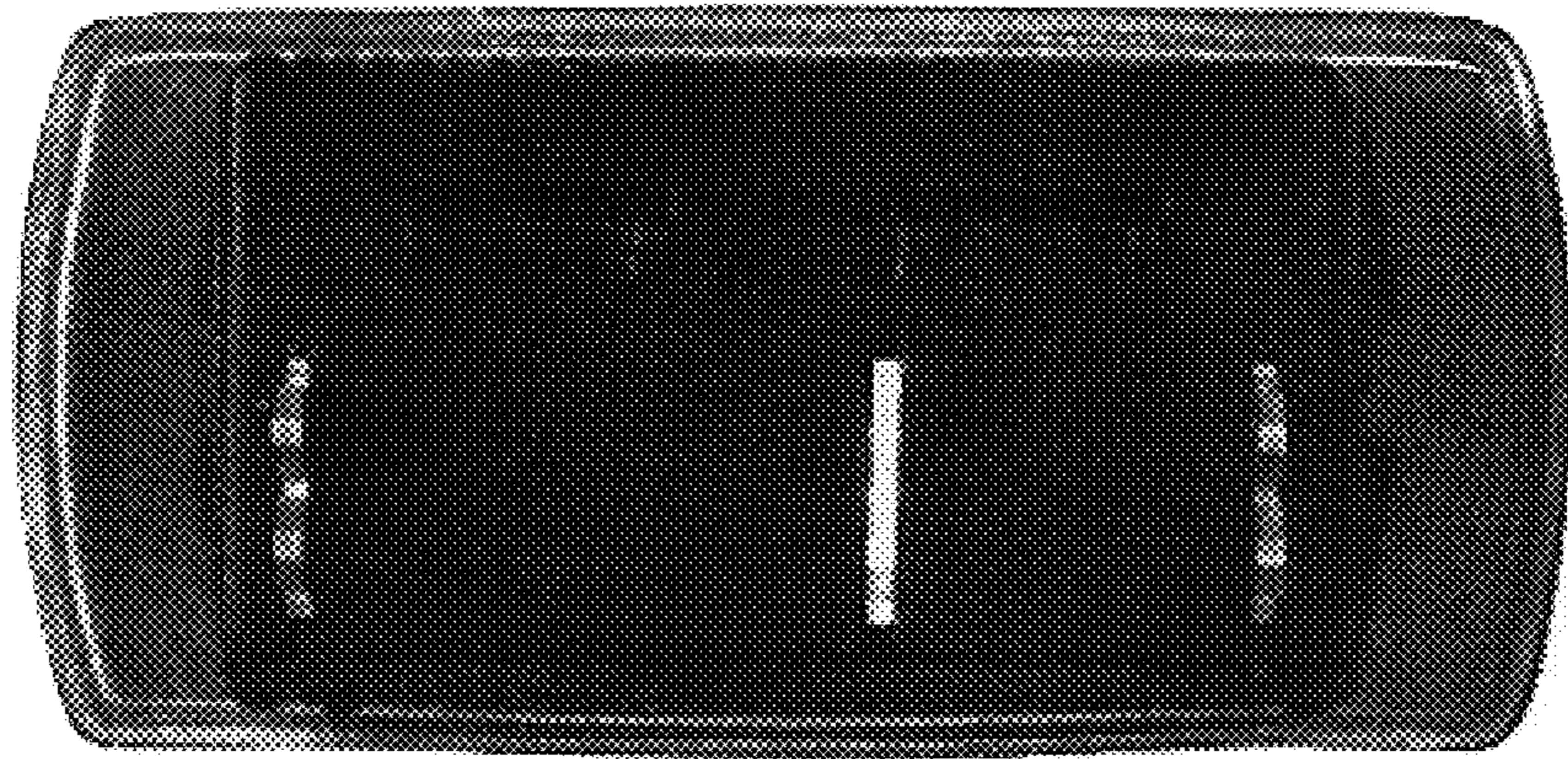


Fig. 6

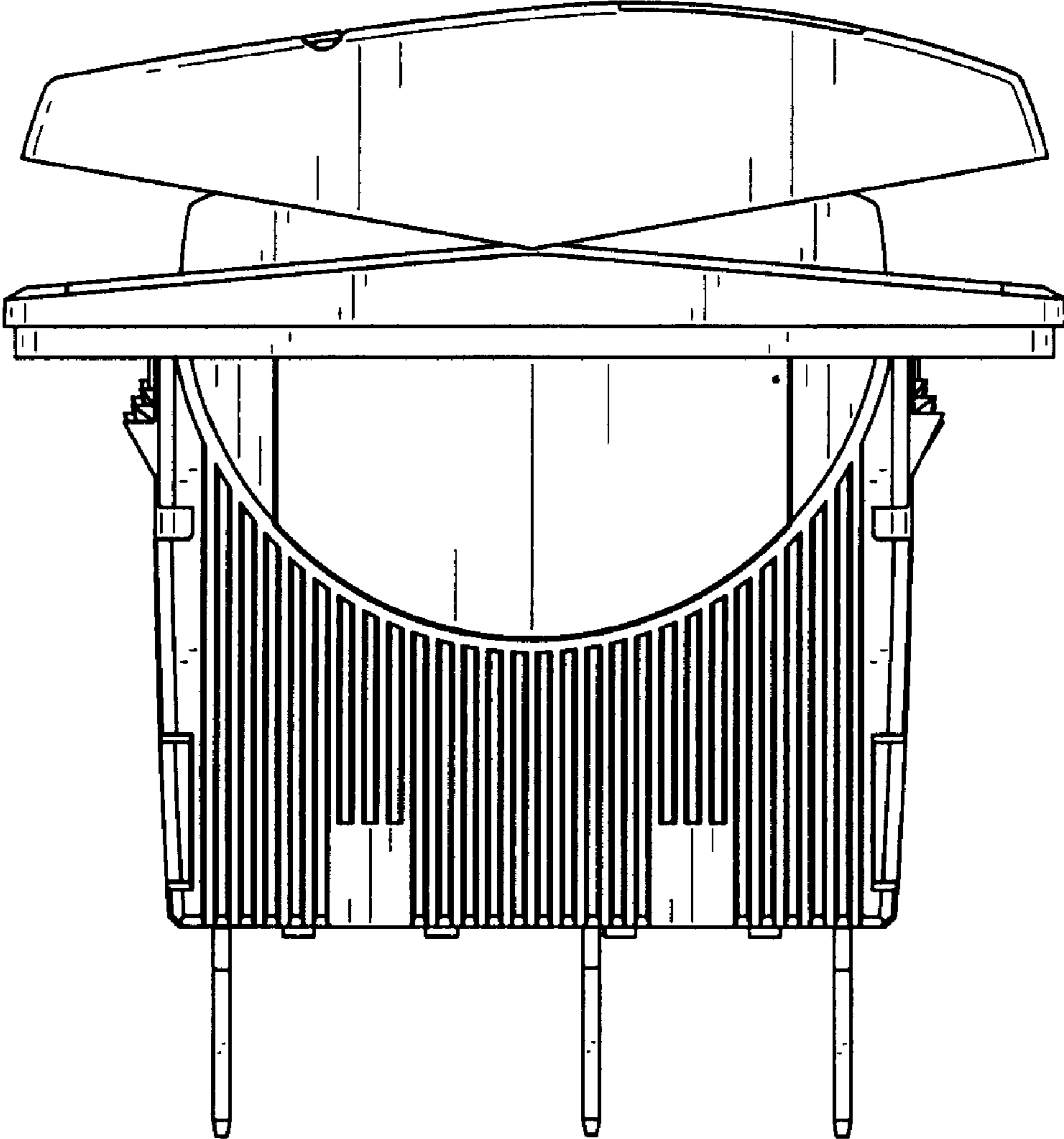


Fig. 7

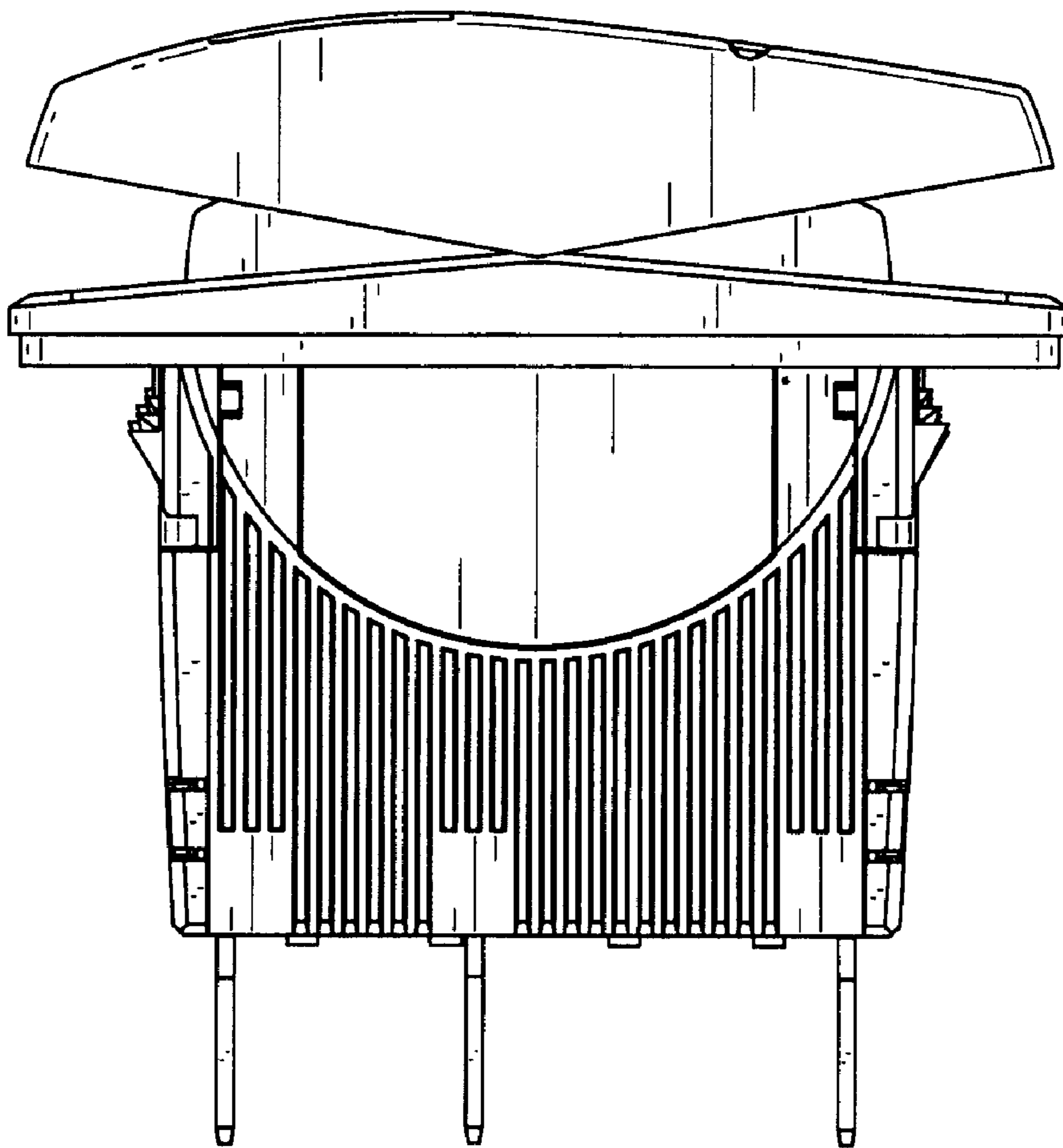


Fig. 8

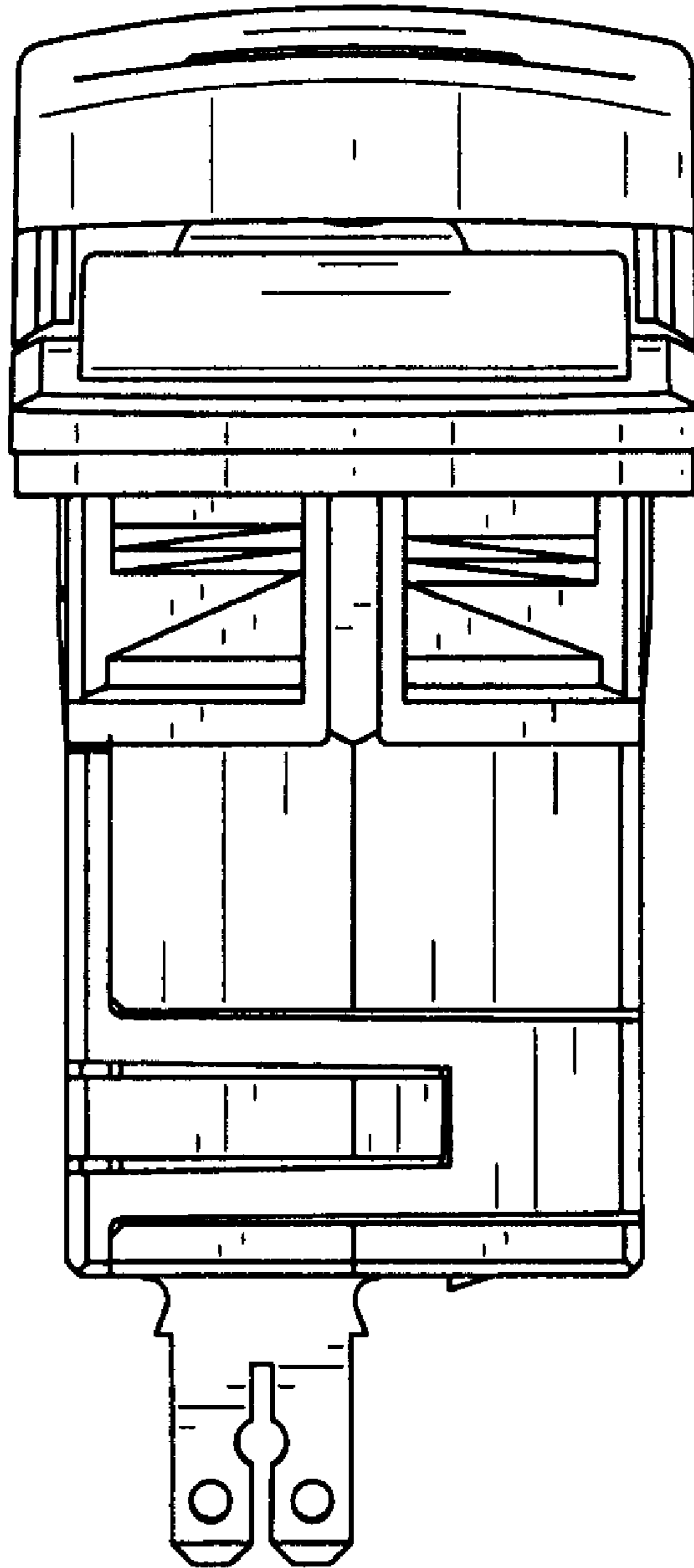


Fig. 9

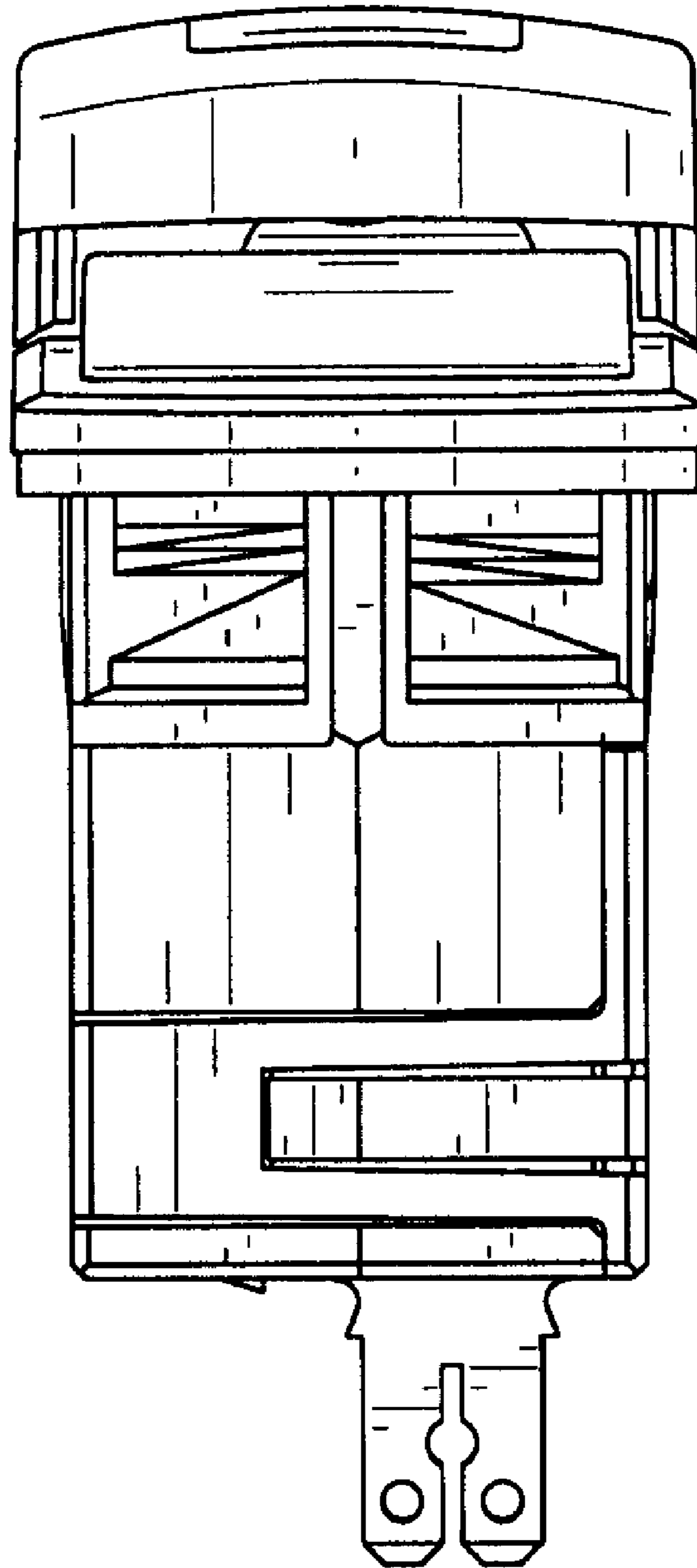


Fig. 10

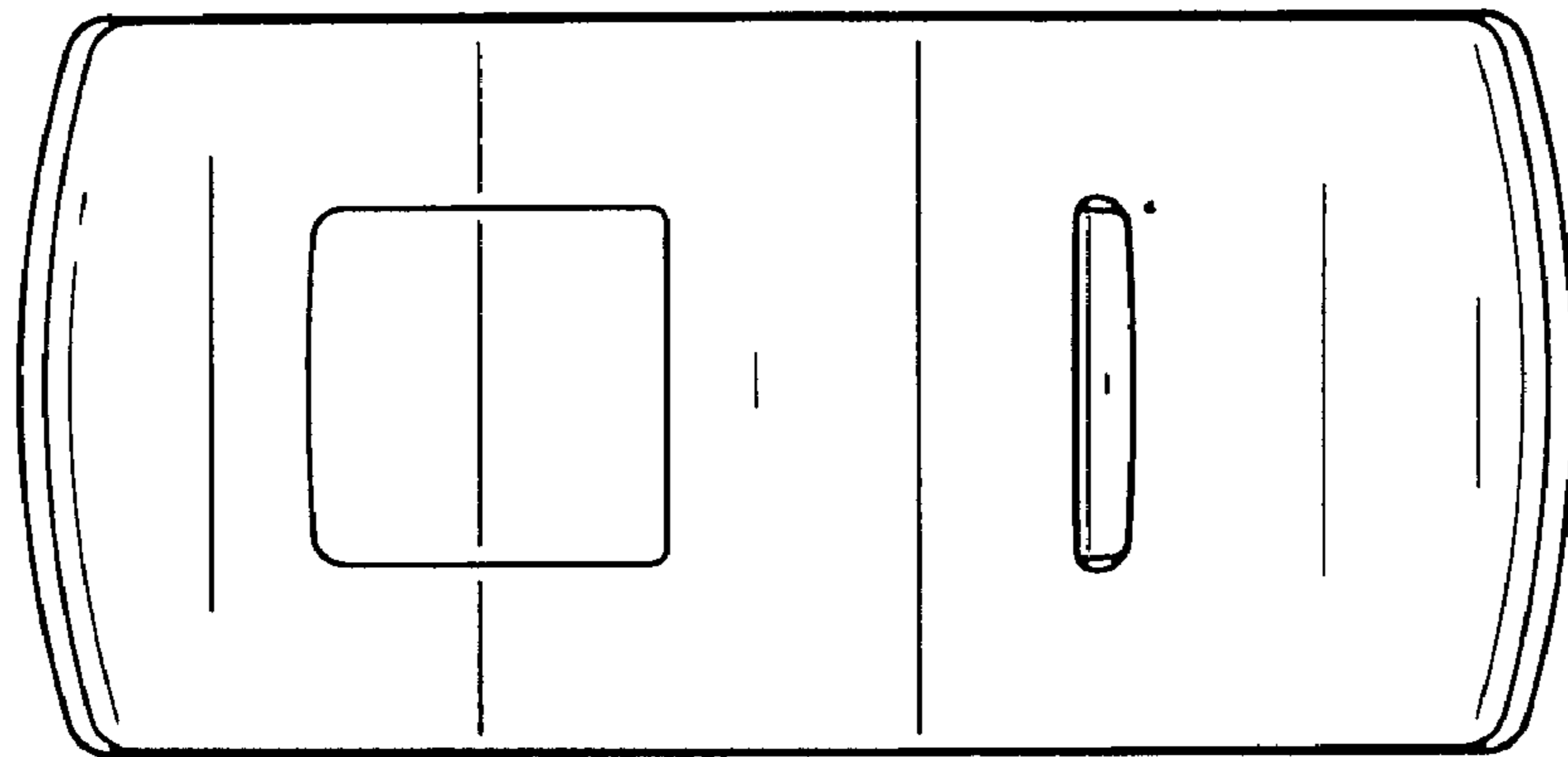


Fig. 11

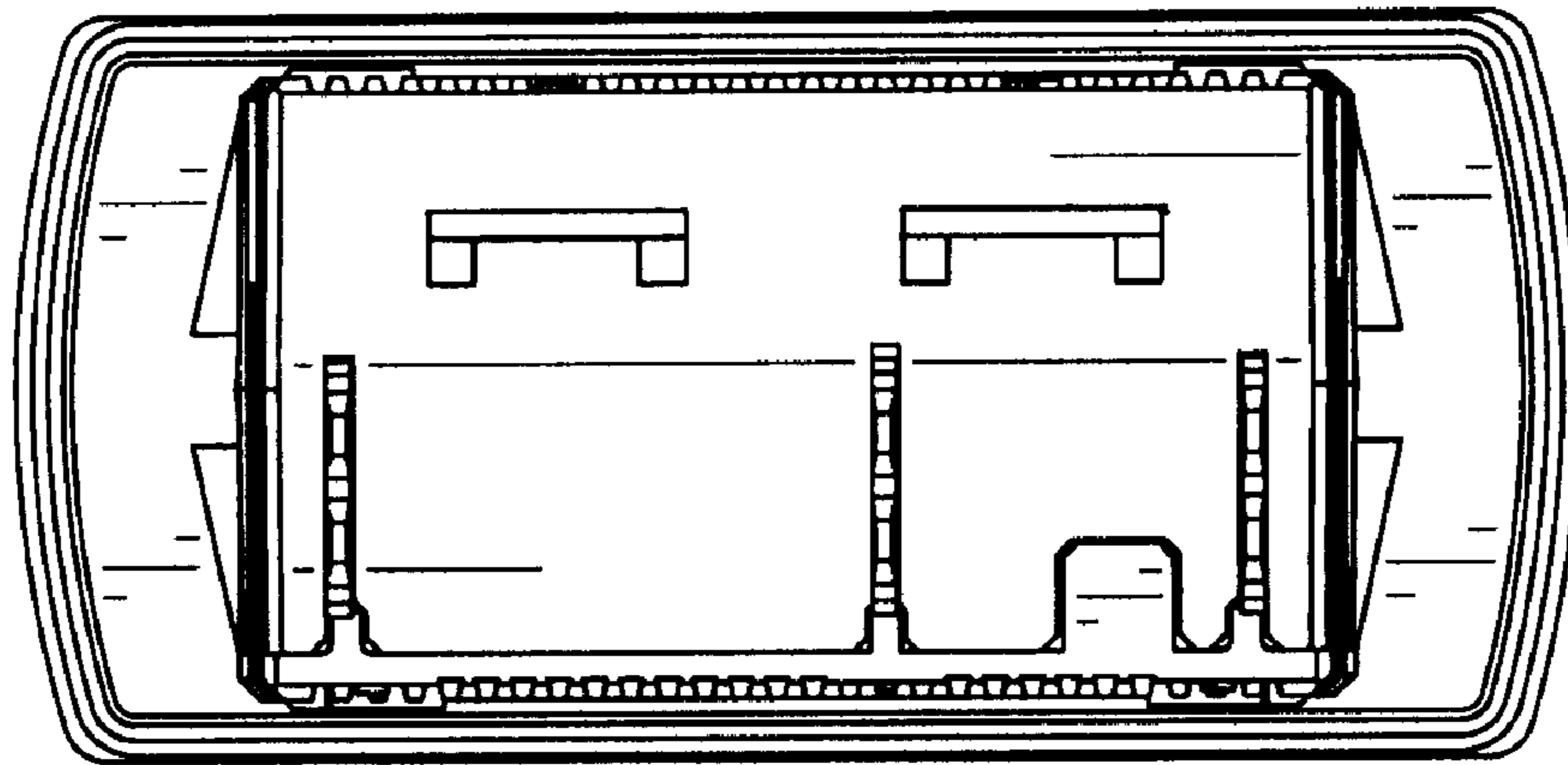


Fig. 12