

US00D562264S

(12) **United States Design Patent**
Jeong et al.

(10) **Patent No.:** **US D562,264 S**

(45) **Date of Patent:** **** Feb. 19, 2008**

(54) **SWITCH FOR HOME NETWORK**
(75) Inventors: **Hwan Hee Jeong**, Kyungki-Do (KR);
Gil Seob Lee, Seoul (KR); **Jeong Taek Lim**, Seoul (KR)

(73) Assignee: **Samsung Electronics Co., Ltd.**, Suwon (KR)

(**) Term: **14 Years**

(21) Appl. No.: **29/285,397**

(22) Filed: **Mar. 27, 2007**

(51) **LOC (8) Cl.** **13-03**

(52) **U.S. Cl.** **D13/164; D13/171**

(58) **Field of Classification Search** D13/158,
D13/162, 164, 171, 173; D14/240, 256,
D14/299, 242, 496, 425, 135-6, 167, 300-2,
D14/314, 341, 355-8, 362-70, 383, 385,
D14/433, 348, 353; 200/276.1, 296, 302.2,
200/304, 341, 345

See application file for complete search history.

(56) **References Cited**

U.S. PATENT DOCUMENTS

D368,721 S * 4/1996 Howell et al. D14/240
D404,366 S * 1/1999 Gross et al. D13/168
D438,856 S * 3/2001 Uehara D14/156

D464,630 S * 10/2002 Woodworth D13/171
D471,542 S * 3/2003 Sim D14/240
D510,343 S * 10/2005 Wallace et al. D14/240
D510,566 S * 10/2005 Johanneck et al. D13/171
D530,325 S * 10/2006 Kerila et al. D14/356
D538,795 S * 3/2007 Wong et al. D14/240

* cited by examiner

Primary Examiner—Selina Sikder

Assistant Examiner—Thomas J Johannes

(74) *Attorney, Agent, or Firm*—Ladas and Parry LLP

(57) **CLAIM**

We claim the ornamental design for switch for home network, as shown.

DESCRIPTION

FIG. 1 is a front/right-side/top perspective view of a switch for home network showing our new design;

FIG. 2 is a front elevational view thereof;

FIG. 3 is a rear elevational view thereof;

FIG. 4 is a left-side elevational view thereof;

FIG. 5 is a right-side elevational view thereof;

FIG. 6 is a top plan view thereof; and,

FIG. 7 is a bottom plan view thereof.

1 Claim, 6 Drawing Sheets

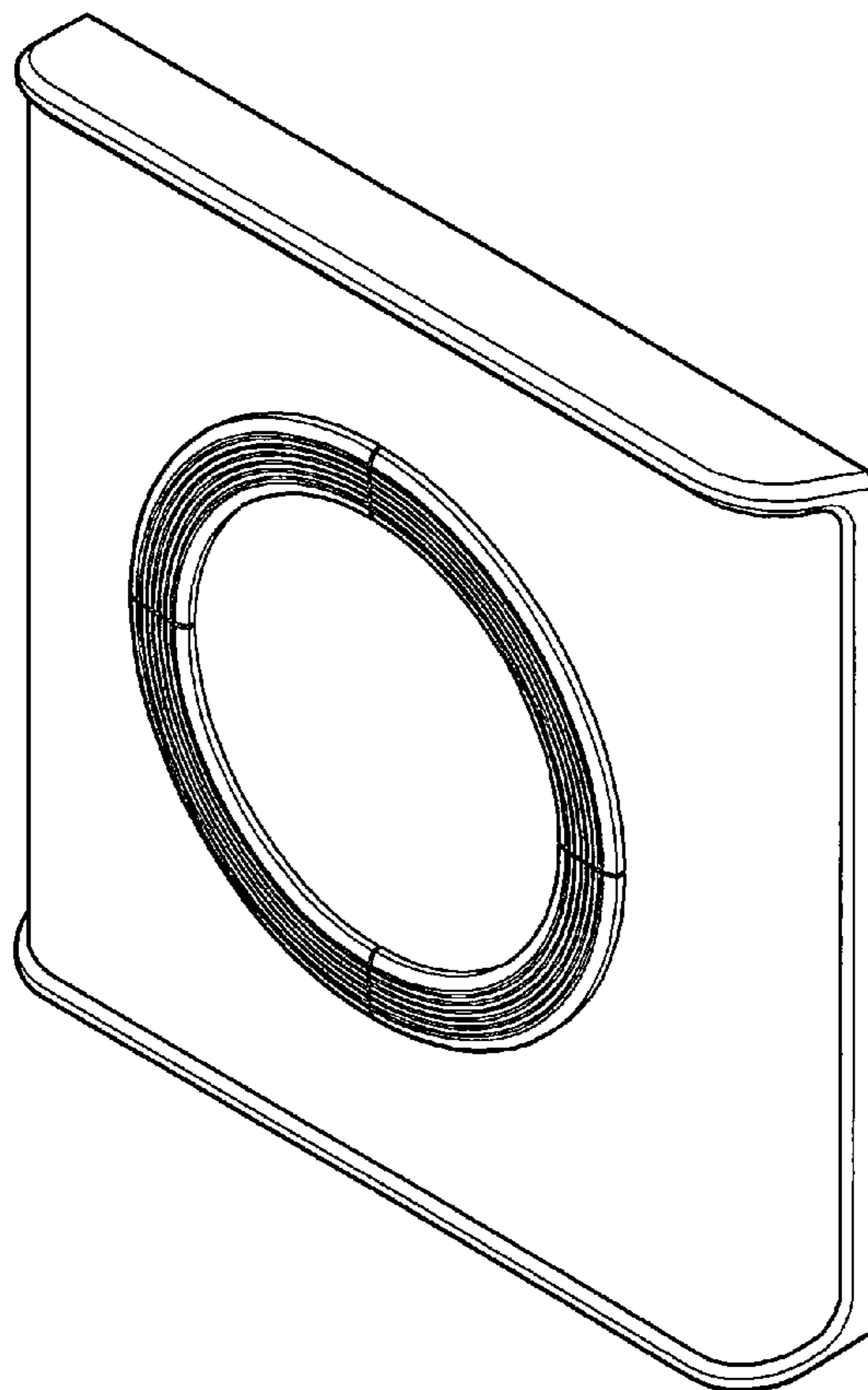


FIG. 1

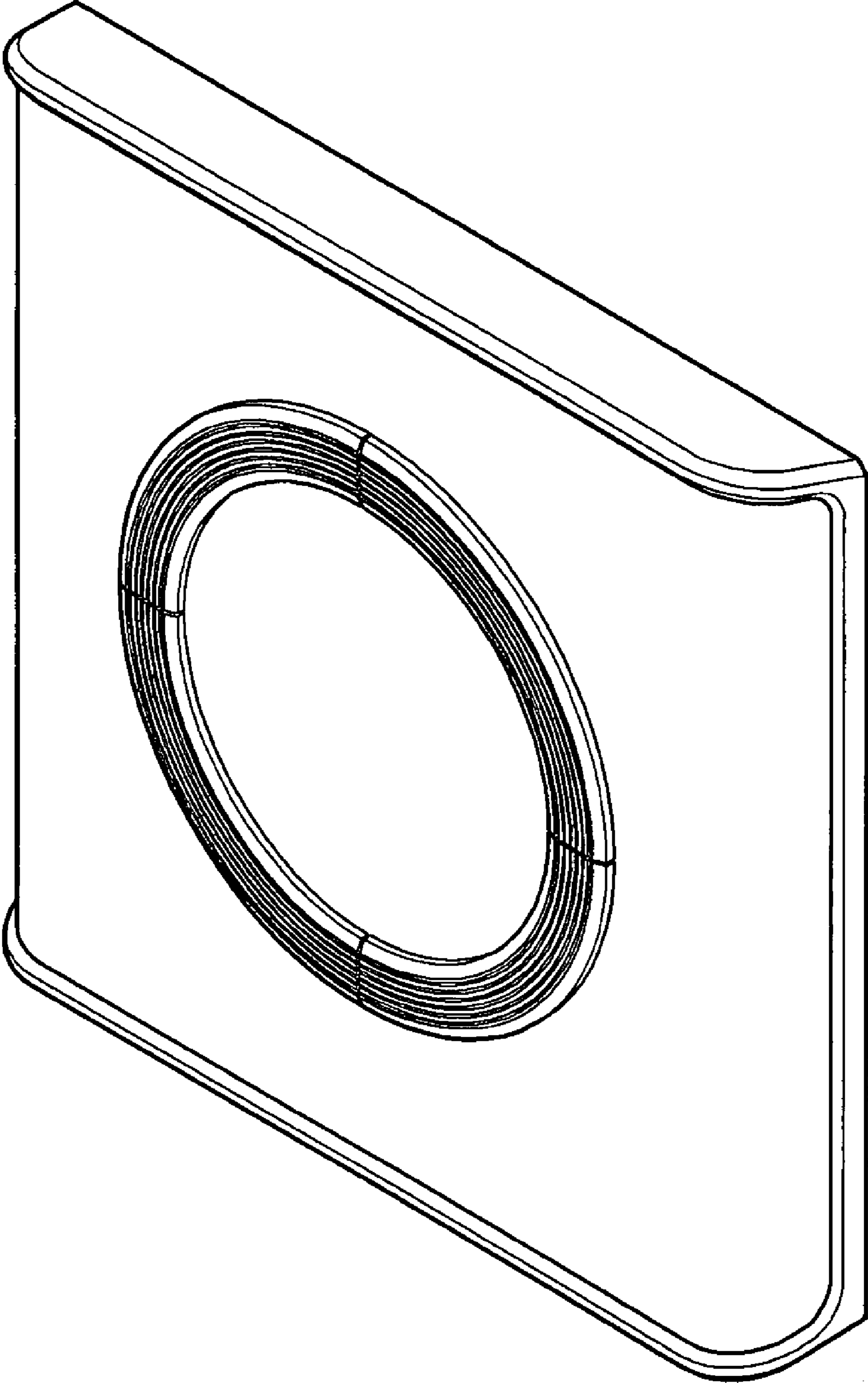


FIG. 2

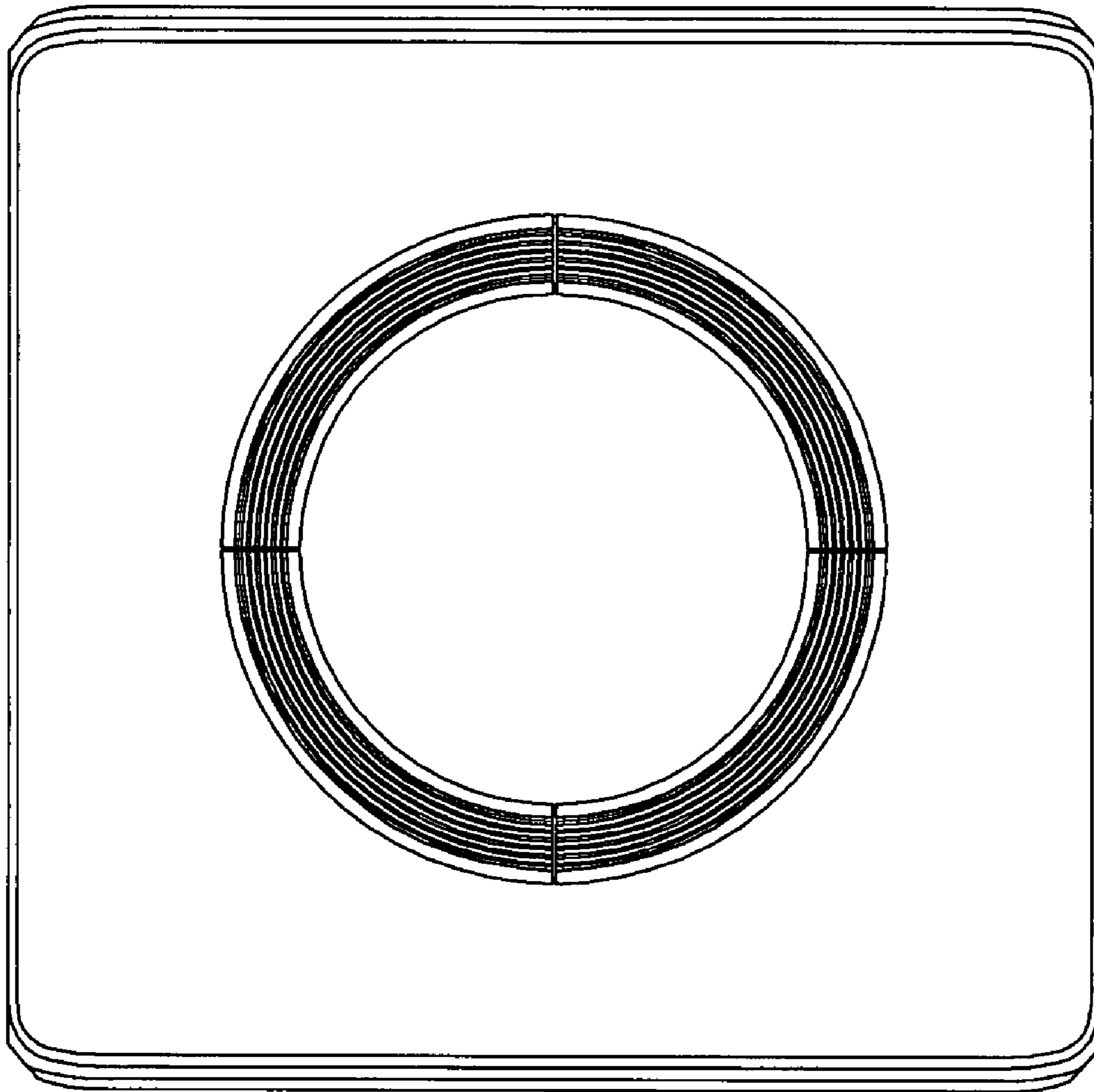


FIG. 3

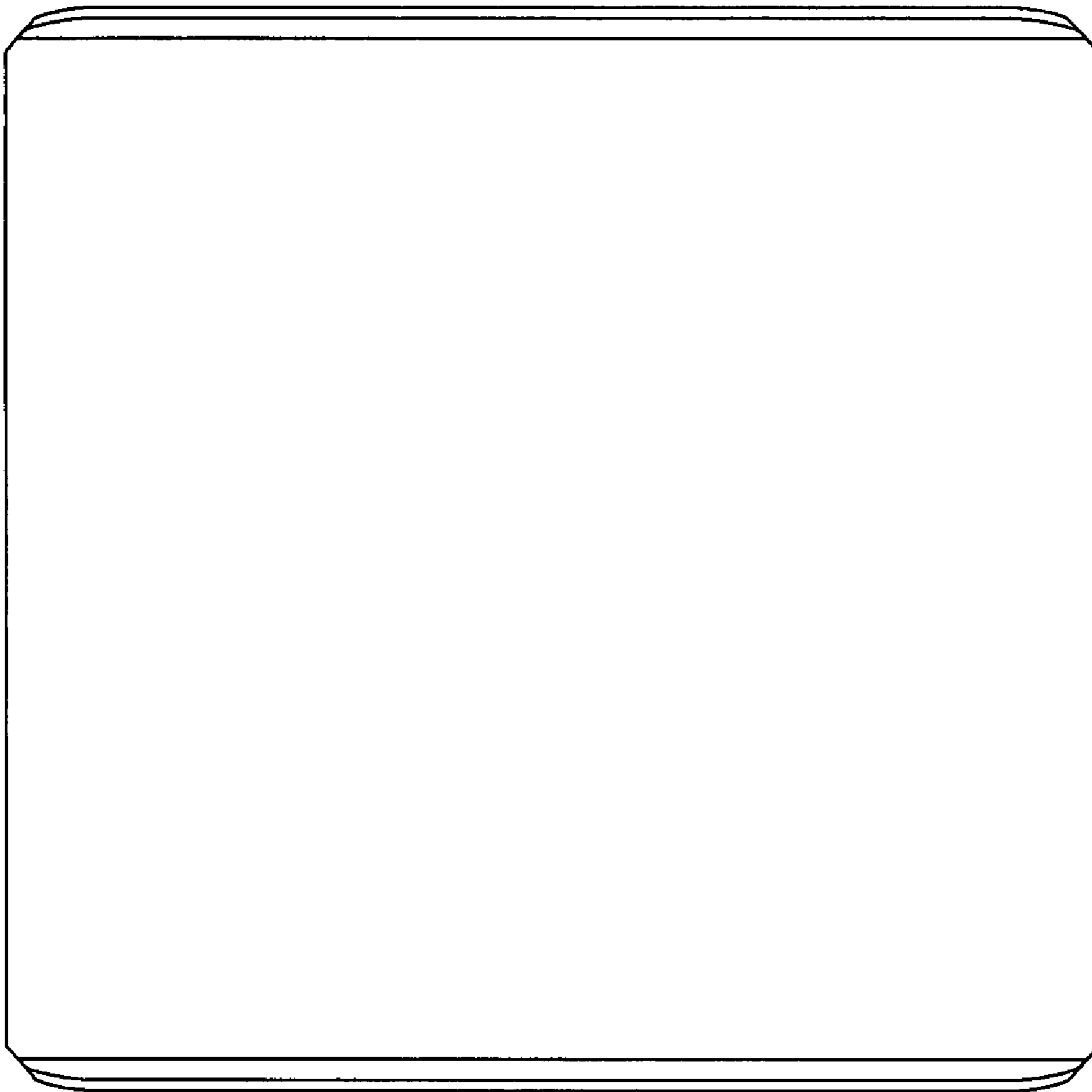


FIG. 4

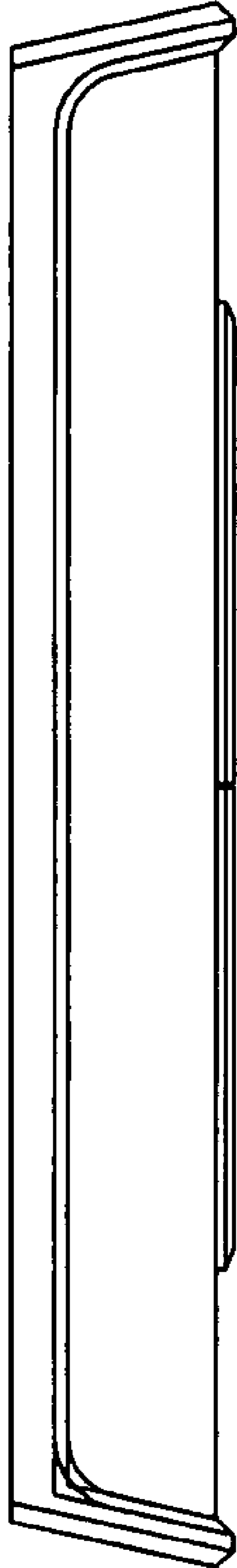


FIG. 5

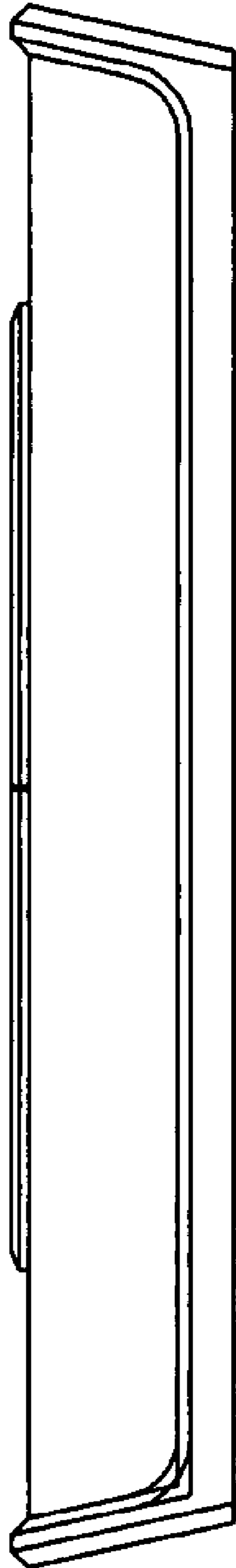


FIG. 6

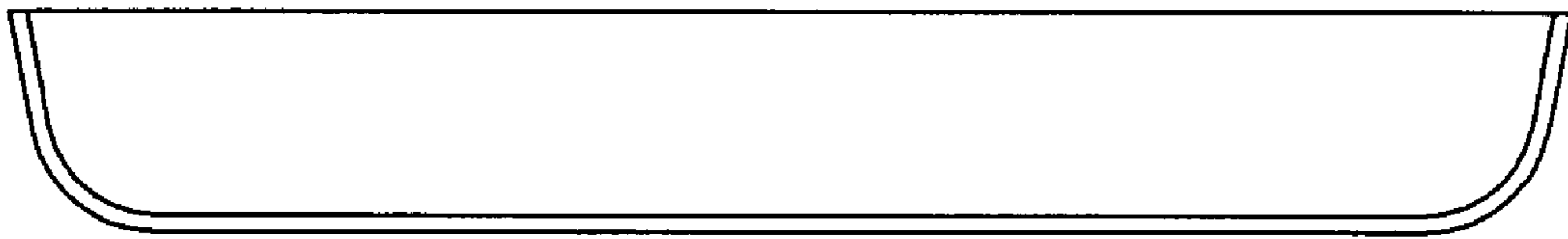


FIG. 7

