

US00D562263S

(12) **United States Design Patent**
Tsai

(10) **Patent No.:** **US D562,263 S**

(45) **Date of Patent:** **** Feb. 19, 2008**

(54) **FAN CONTROL BOX FOR ELECTRONIC DEVICES**

(75) Inventor: **Chen-Wang Tsai**, Chung-Ho (TW)

(73) Assignee: **Cooler Master Co., Ltd.**, Taipei (TW)

(**) Term: **14 Years**

(21) Appl. No.: **29/281,058**

(22) Filed: **Jun. 14, 2007**

(30) **Foreign Application Priority Data**

Jan. 2, 2007 (TW) 96300010

(51) **LOC (8) Cl.** **13-03**

(52) **U.S. Cl.** **D13/162**

(58) **Field of Classification Search** D13/110,
D13/123, 147, 151, 158-177, 184; 174/53,
174/66; 200/5 R, 295, 308, 310, 313, 314,
200/329, 340, 1 R, 6 R, 5 A, 296, 302.3,
200/315, 330, 334, 339, 341, 520, 525, 553;
439/491, 535; D8/350, 353, 302; 296/70;
180/315, 326; D12/192, 195

See application file for complete search history.

(56) **References Cited**

U.S. PATENT DOCUMENTS

D260,513 S * 9/1981 Comstock D13/184
D316,248 S * 4/1991 Dob D13/162
D327,050 S * 6/1992 Zirinsky D13/110
D384,038 S * 9/1997 Ko D13/162

D402,275 S * 12/1998 Korhonen D13/184
D431,230 S * 9/2000 Began D13/184
D470,114 S * 2/2003 Amborn et al. D13/162
D473,195 S * 4/2003 Wang D13/158
D512,966 S * 12/2005 Cook et al. D13/162
D520,958 S * 5/2006 Yoneyama et al. D13/158
D543,513 S * 5/2007 Allen et al. D13/184
D549,181 S * 8/2007 Riley D13/162

* cited by examiner

Primary Examiner—Selina Sikder

Assistant Examiner—Thomas J Johannes

(57) **CLAIM**

The ornamental design for a fan control box for electronic devices, as shown and described.

DESCRIPTION

FIG. 1 is a perspective view of a fan control box for electronic devices showing my new design;

FIG. 2 is a front view thereof;

FIG. 3 is a rear view thereof;

FIG. 4 is a left side view thereof;

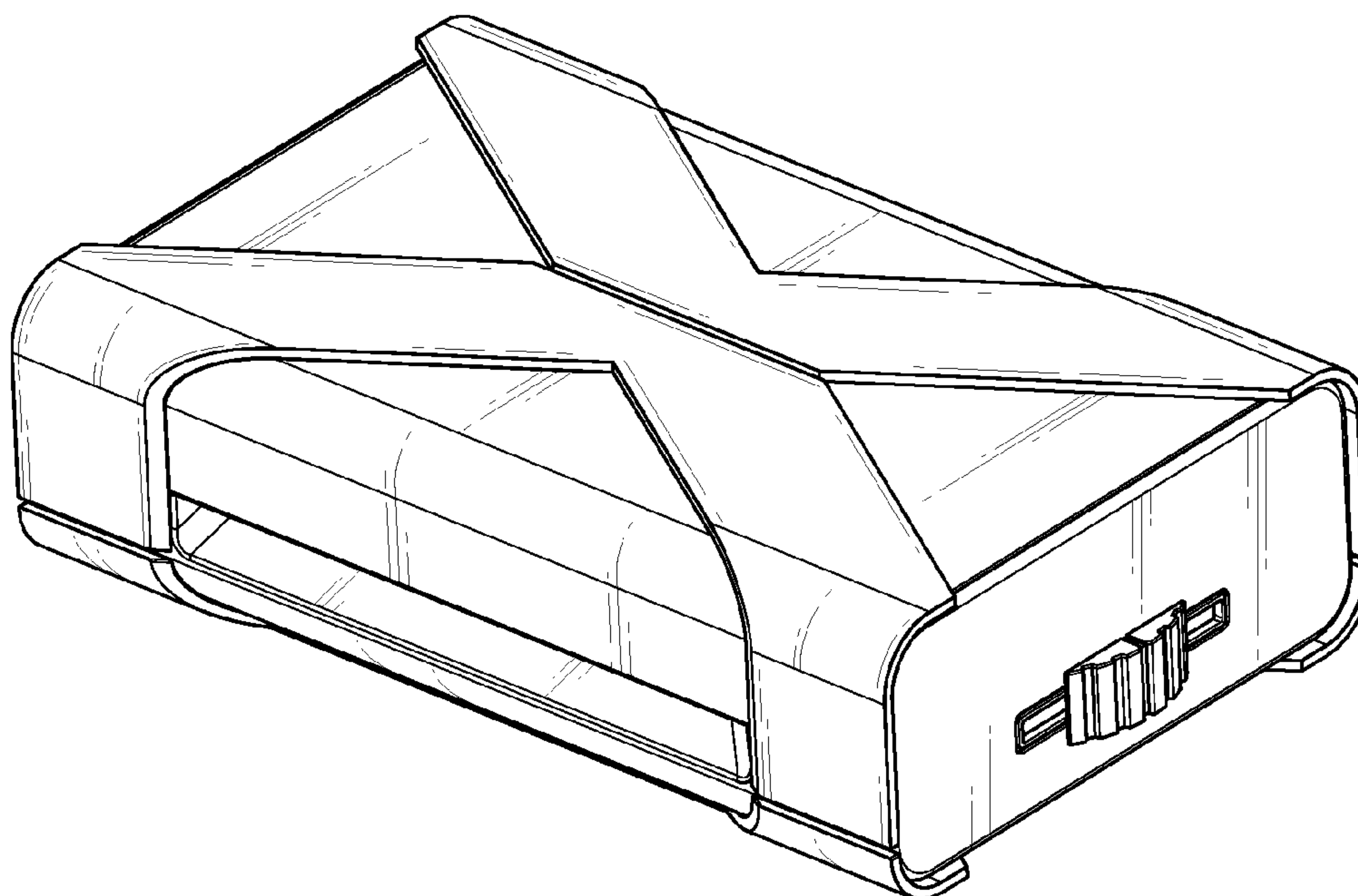
FIG. 5 is a right side view thereof;

FIG. 6 is a top view thereof; and,

FIG. 7 is a bottom view thereof.

The broken line showing in the figure drawings is included for illustrative purposes only and forms no part of the claimed design.

1 Claim, 5 Drawing Sheets



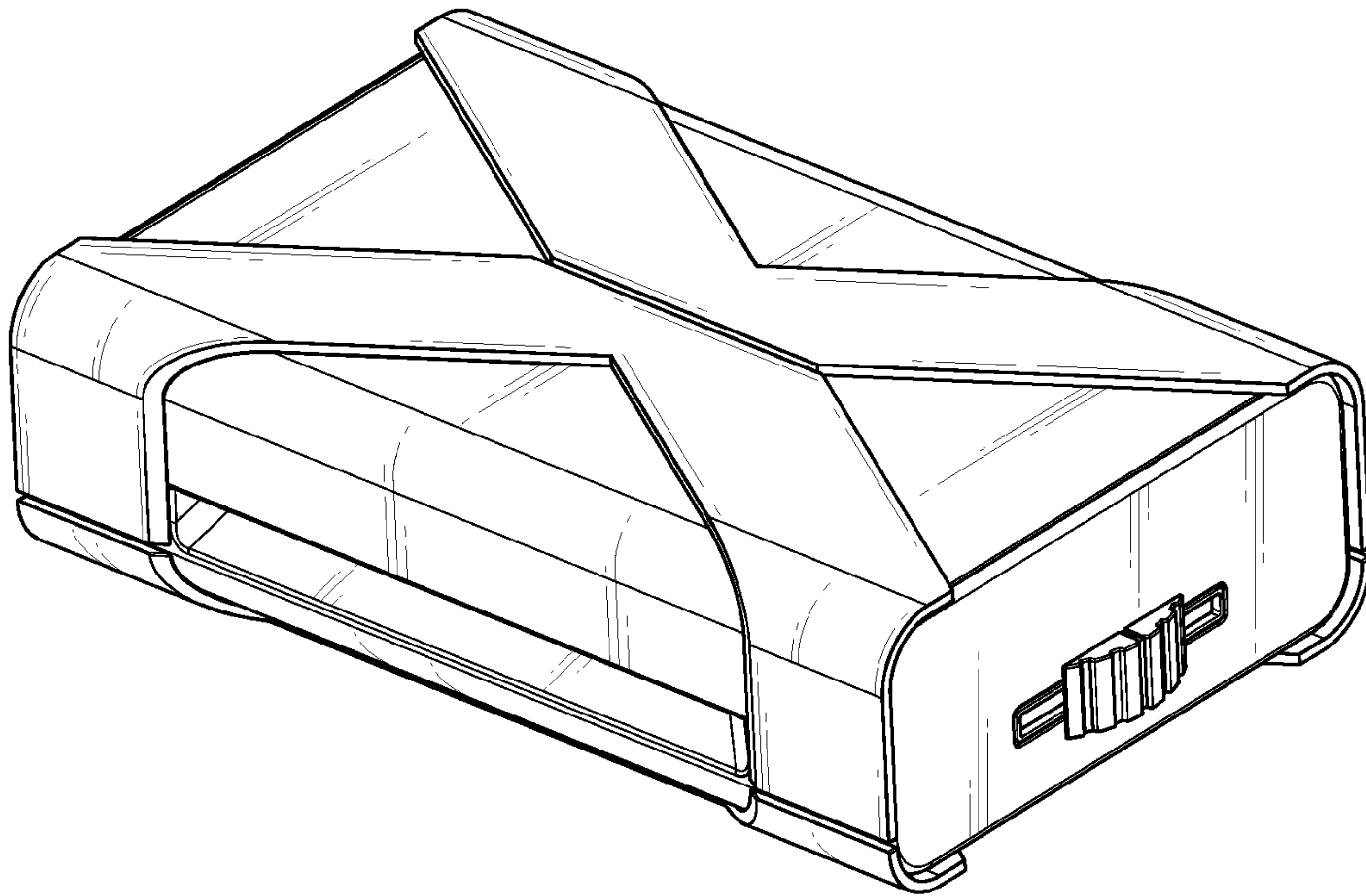


FIG.1

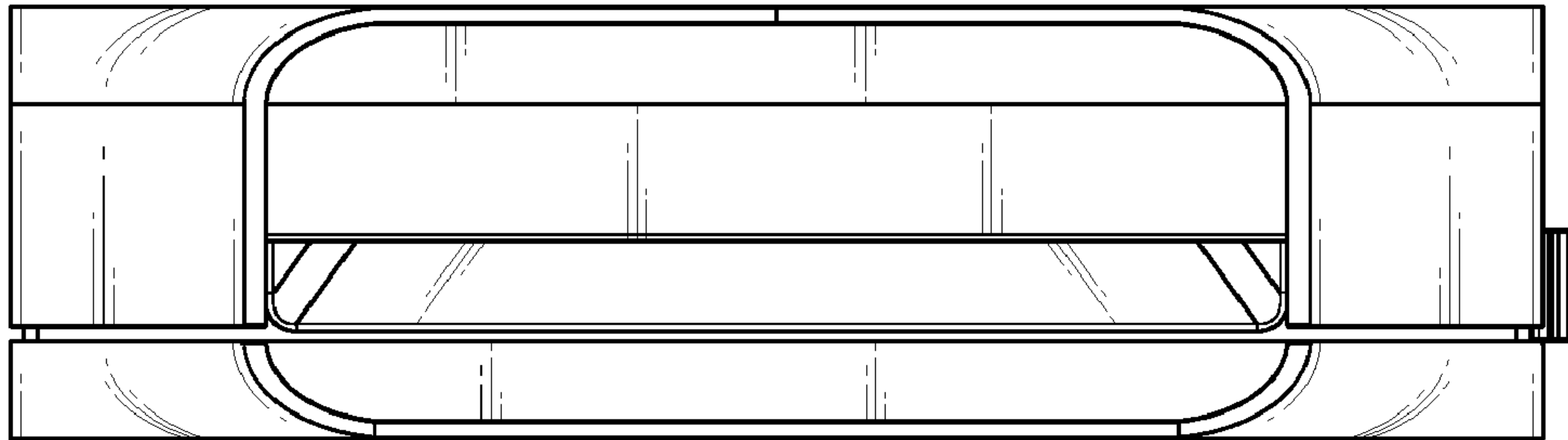


FIG. 2

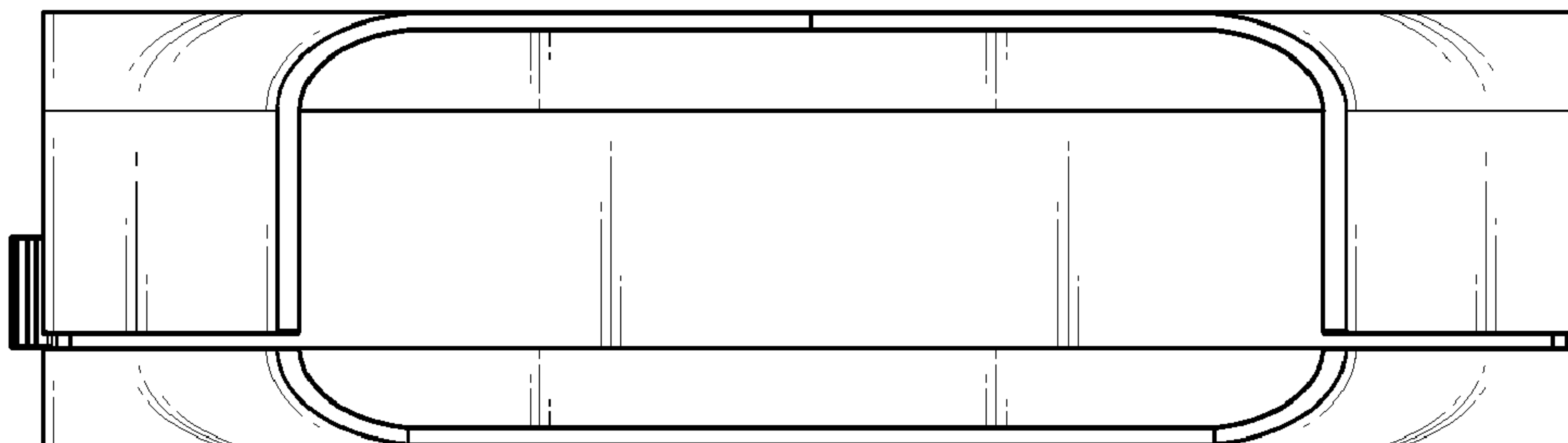


FIG. 3

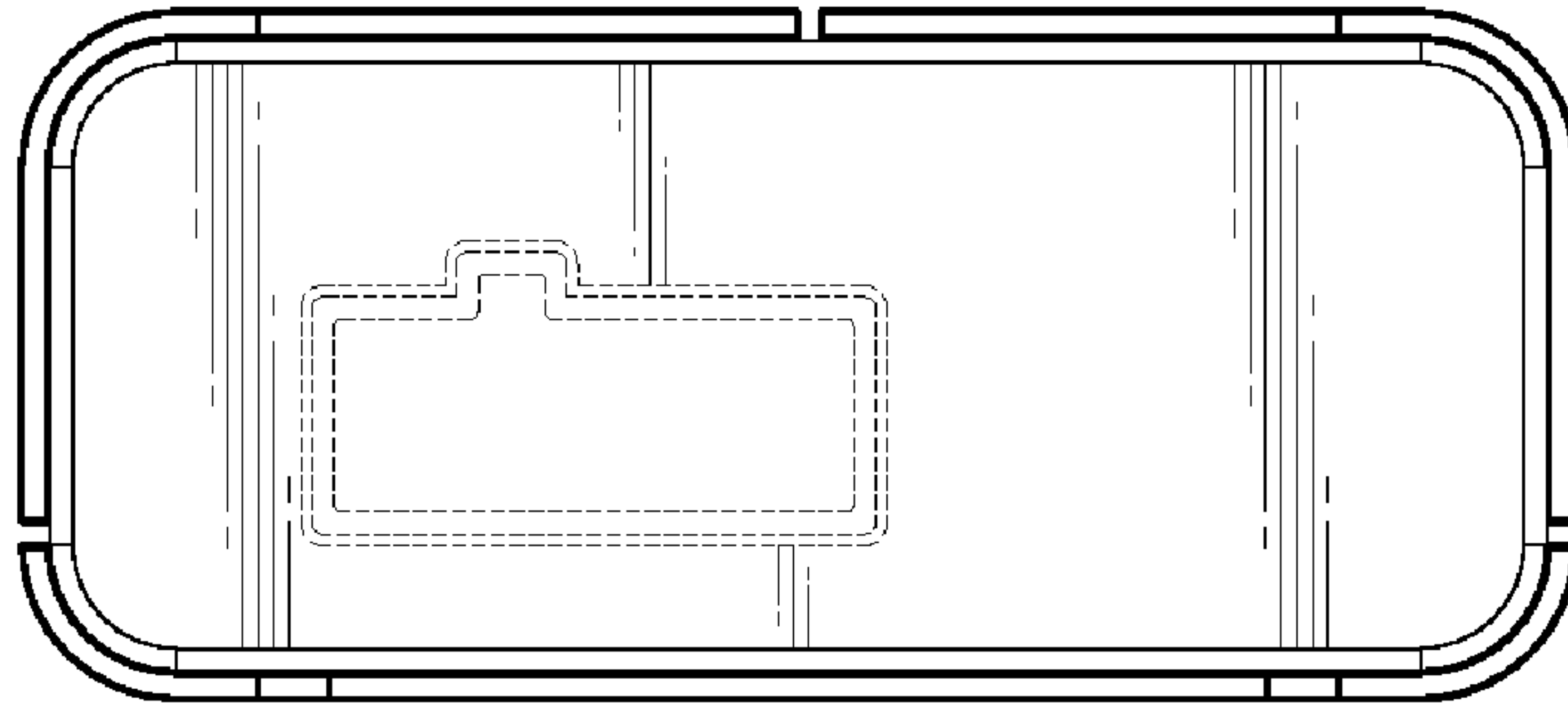


FIG. 4

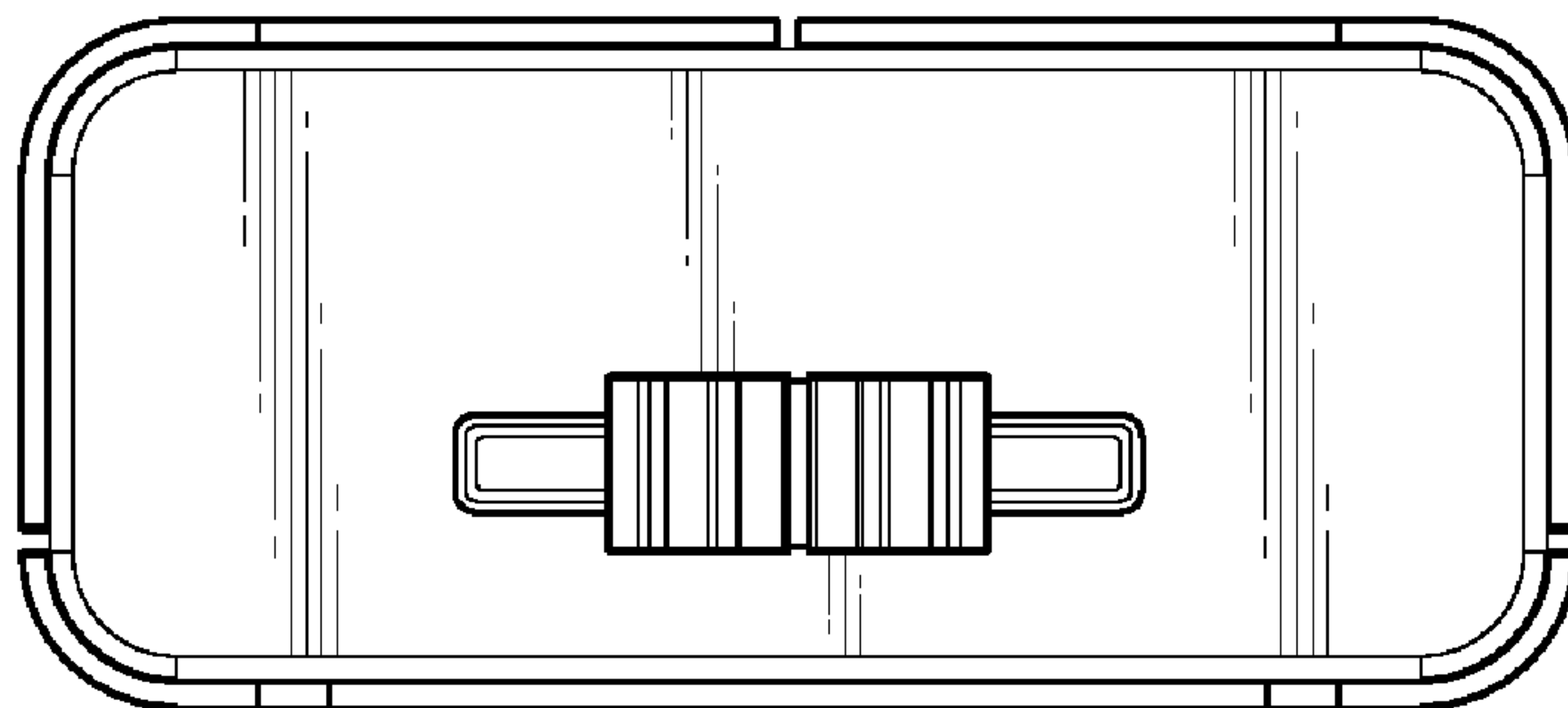


FIG. 5

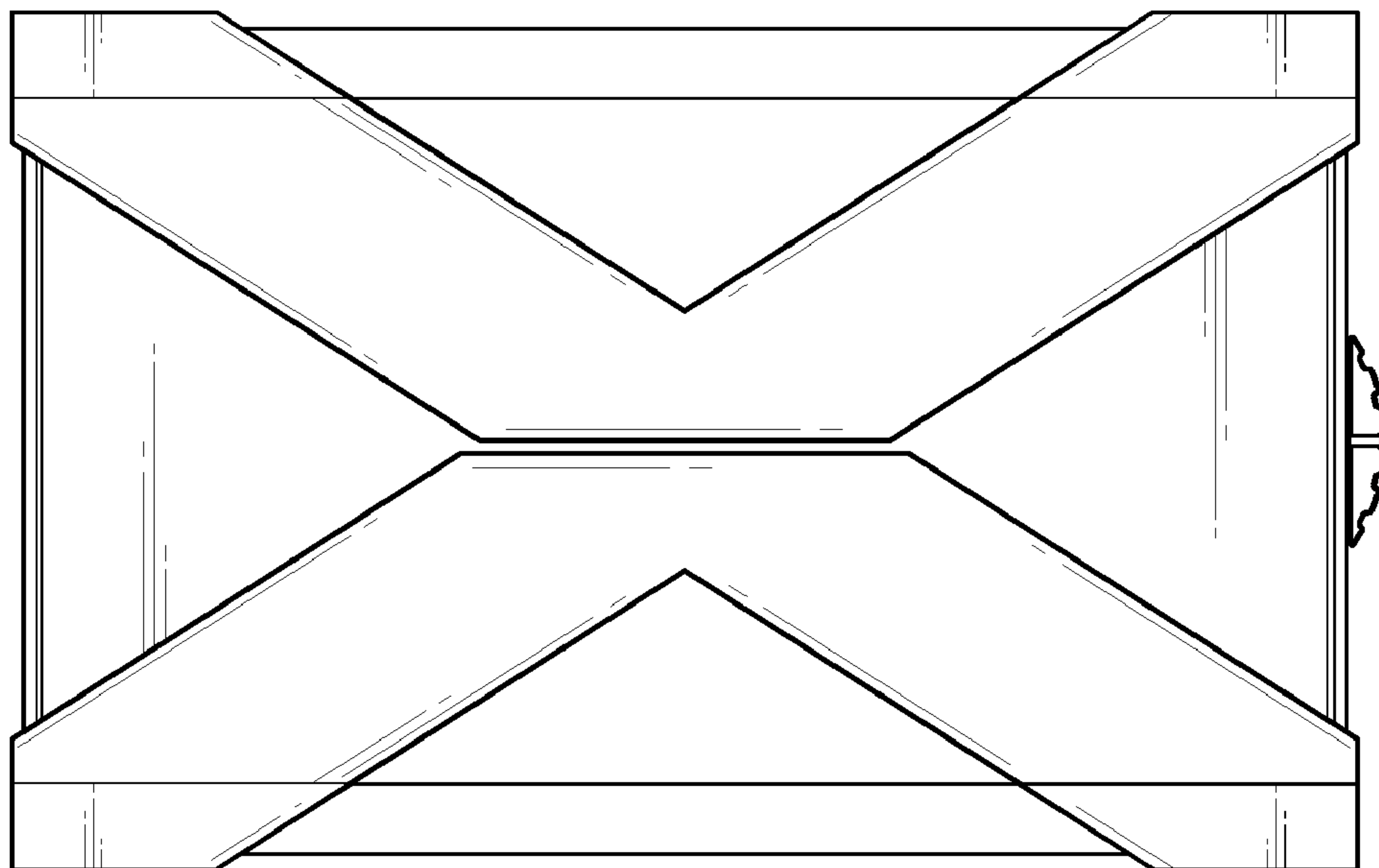


FIG.6

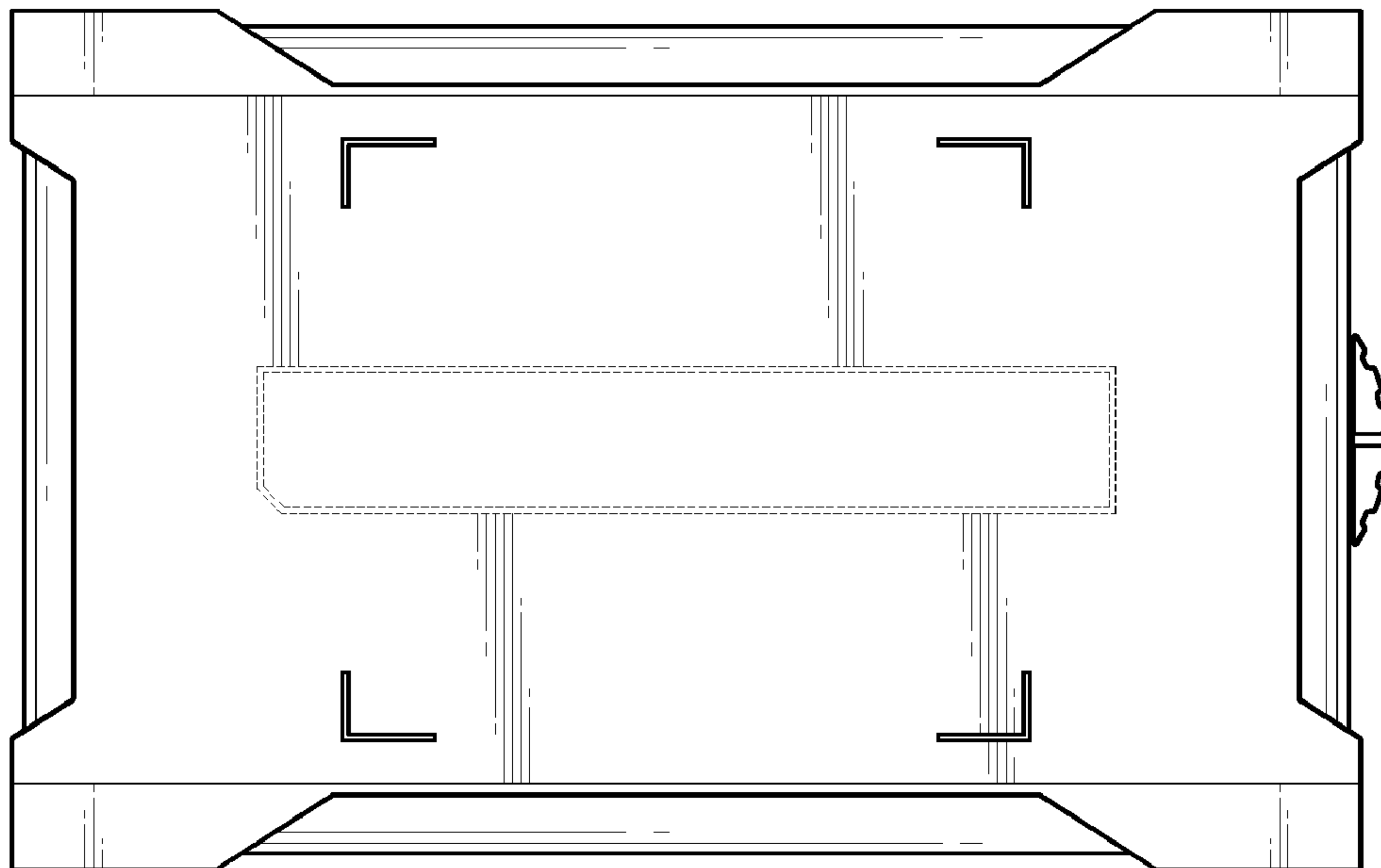


FIG.7