

US00D562260S

(12) **United States Design Patent** (10) **Patent No.:** **US D562,260 S**
Pessina et al. (45) **Date of Patent:** **** Feb. 19, 2008**

(54) **DIMMER SWITCH**

(75) Inventors: **Michael W. Pessina**, Allentown, PA (US); **Walter S. Zaharchuk**, Macungie, PA (US); **Edward J. Blair**, Lansdale, PA (US)

(73) Assignee: **Lutron Electronics Co., Inc.**, Coopersburg, PA (US)

(**) Term: **14 Years**

(21) Appl. No.: **29/260,371**

(22) Filed: **May 23, 2006**

(51) **LOC (8) Cl.** **13-03**

(52) **U.S. Cl.** **D13/162; D13/170**

(58) **Field of Classification Search** D13/162, D13/170, 171; 174/66; 200/530, 531, 536, 200/547, 550, 252, 293, 296, 333, 335; 338/176; 307/125, 129

See application file for complete search history.

(56) **References Cited**

U.S. PATENT DOCUMENTS

D227,577 S	7/1973	Mayo	
D241,853 S *	10/1976	Spira et al.	D13/170
4,835,343 A *	5/1989	Graef et al.	174/66
4,939,383 A *	7/1990	Tucker et al.	307/139
4,947,054 A *	8/1990	Flowers et al.	307/125
D335,282 S	5/1993	Jurell et al.	
D339,326 S	9/1993	Mayo et al.	
D437,584 S *	2/2001	Radosavljevic et al. ...	D13/170
D477,575 S *	7/2003	Mayo et al.	D13/171

OTHER PUBLICATIONS

Lutron Electronics, Residential Lighting Controls Catalog, Jun. 2004, pp. 70-71.

* cited by examiner

Primary Examiner—Selina Sikder

(74) *Attorney, Agent, or Firm*—Mark E. Rose

(57) **CLAIM**

We claim the ornamental design for a dimmer switch, as shown and described.

DESCRIPTION

FIG. 1 is a perspective view of a dimmer switch according to a first embodiment of our new design.

FIG. 2 is a front view thereof.

FIG. 3 is a left side view thereof.

FIG. 4 is a right side view thereof.

FIG. 5 is a top view thereof.

FIG. 6 is a bottom view thereof.

FIG. 7 is a perspective view of a dimmer switch according to a second embodiment of our new design.

FIG. 8 is a front view thereof.

FIG. 9 is a left side view thereof.

FIG. 10 is a right side view thereof.

FIG. 11 is a top view thereof.

FIG. 12 is a bottom view thereof.

FIG. 13 is a perspective view of a dimmer switch according to a third embodiment of our new design.

FIG. 14 is a front view thereof.

FIG. 15 is a left side view thereof.

FIG. 16 is a right side view thereof.

FIG. 17 is a top view thereof.

FIG. 18 is a bottom view thereof.

FIG. 19 is a perspective view of a dimmer switch according to a fourth embodiment of our new design.

FIG. 20 is a front view thereof.

FIG. 21 is a left side view thereof.

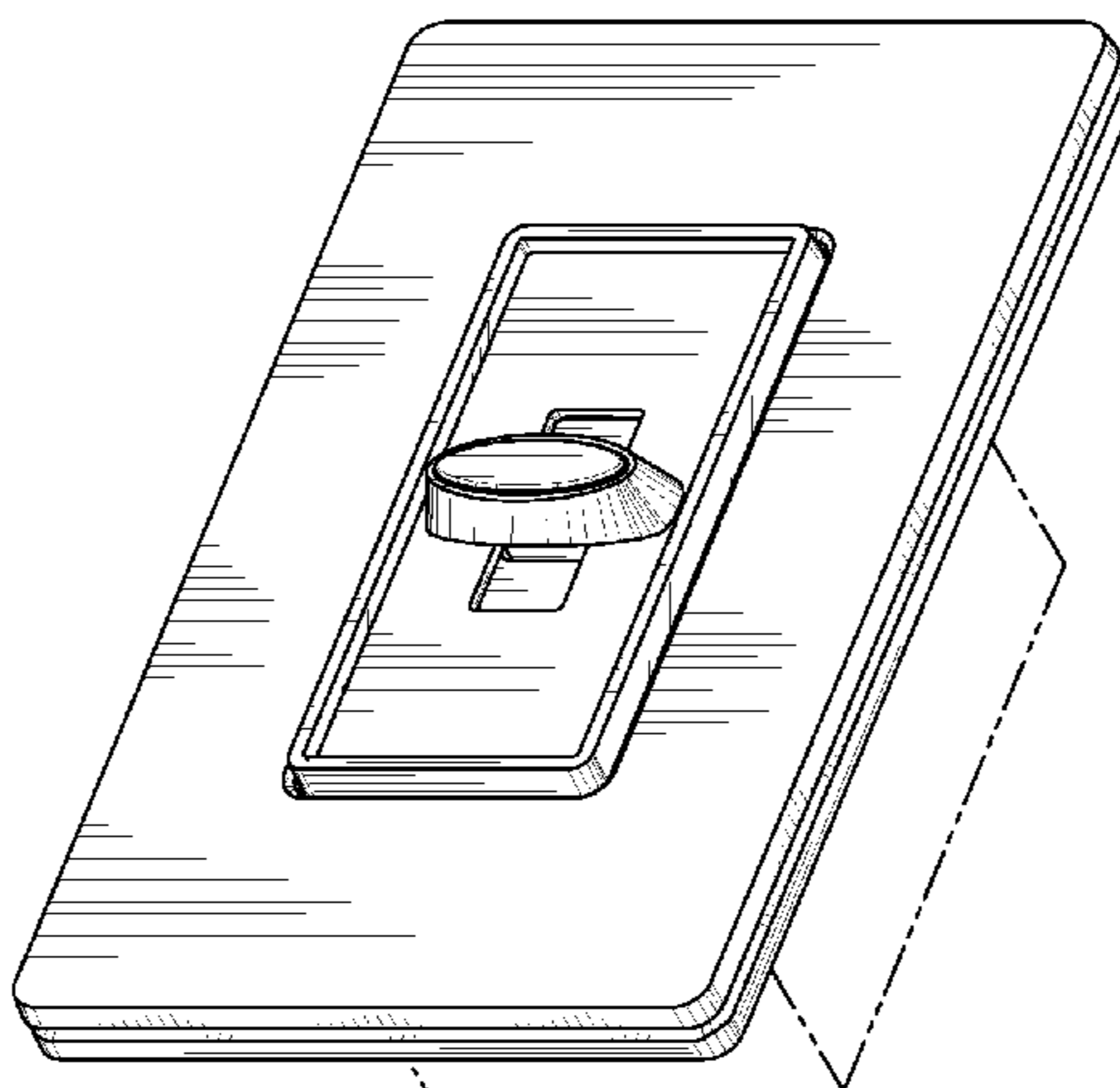
FIG. 22 is a right side view thereof.

FIG. 23 is a top view thereof; and,

FIG. 24 is a bottom view thereof.

The rear views form no part of the design and are omitted. The portions of the drawings appearing in broken line are for environment only and do not form a part of the design.

1 Claim, 16 Drawing Sheets



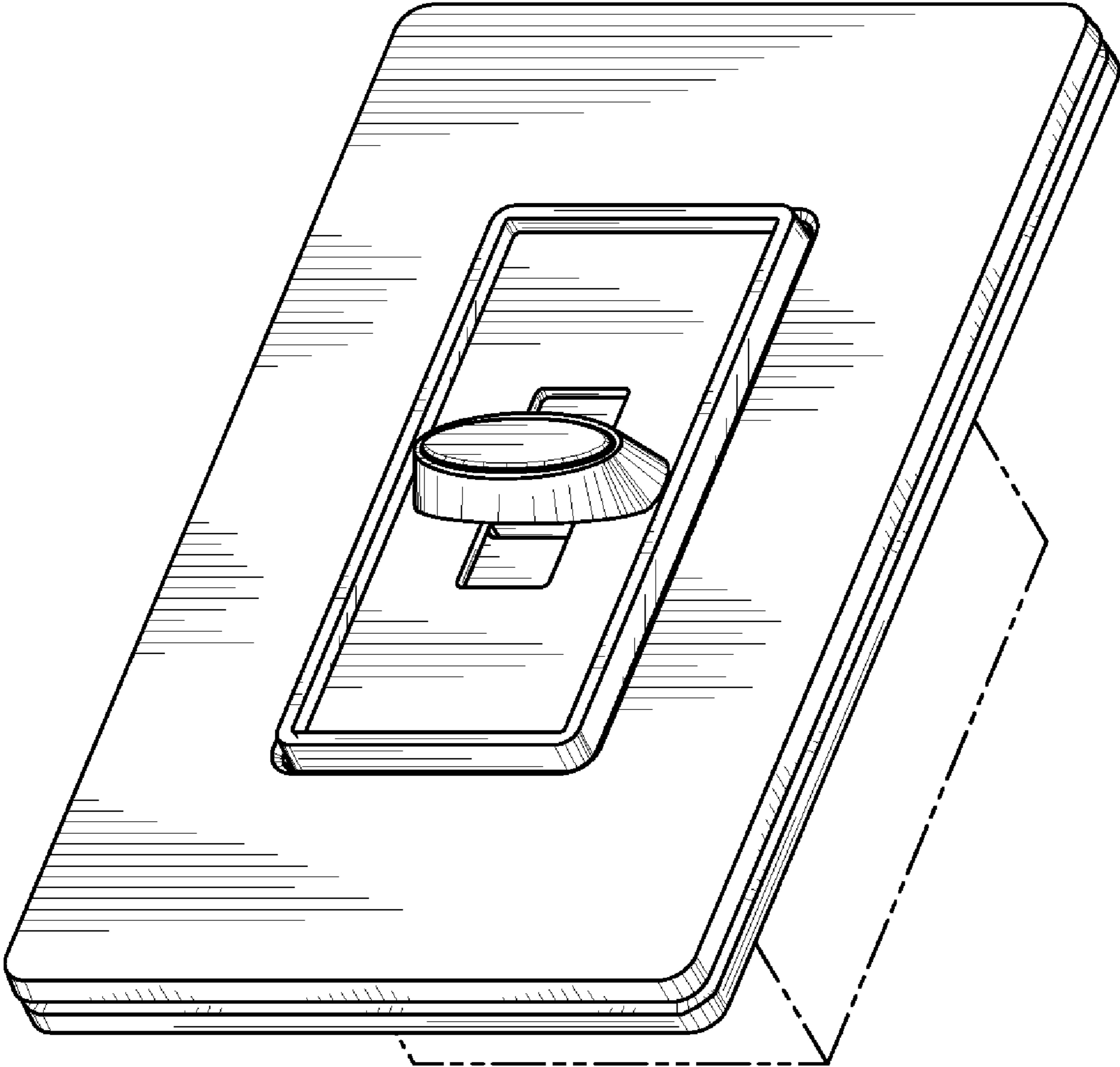


Fig. 1

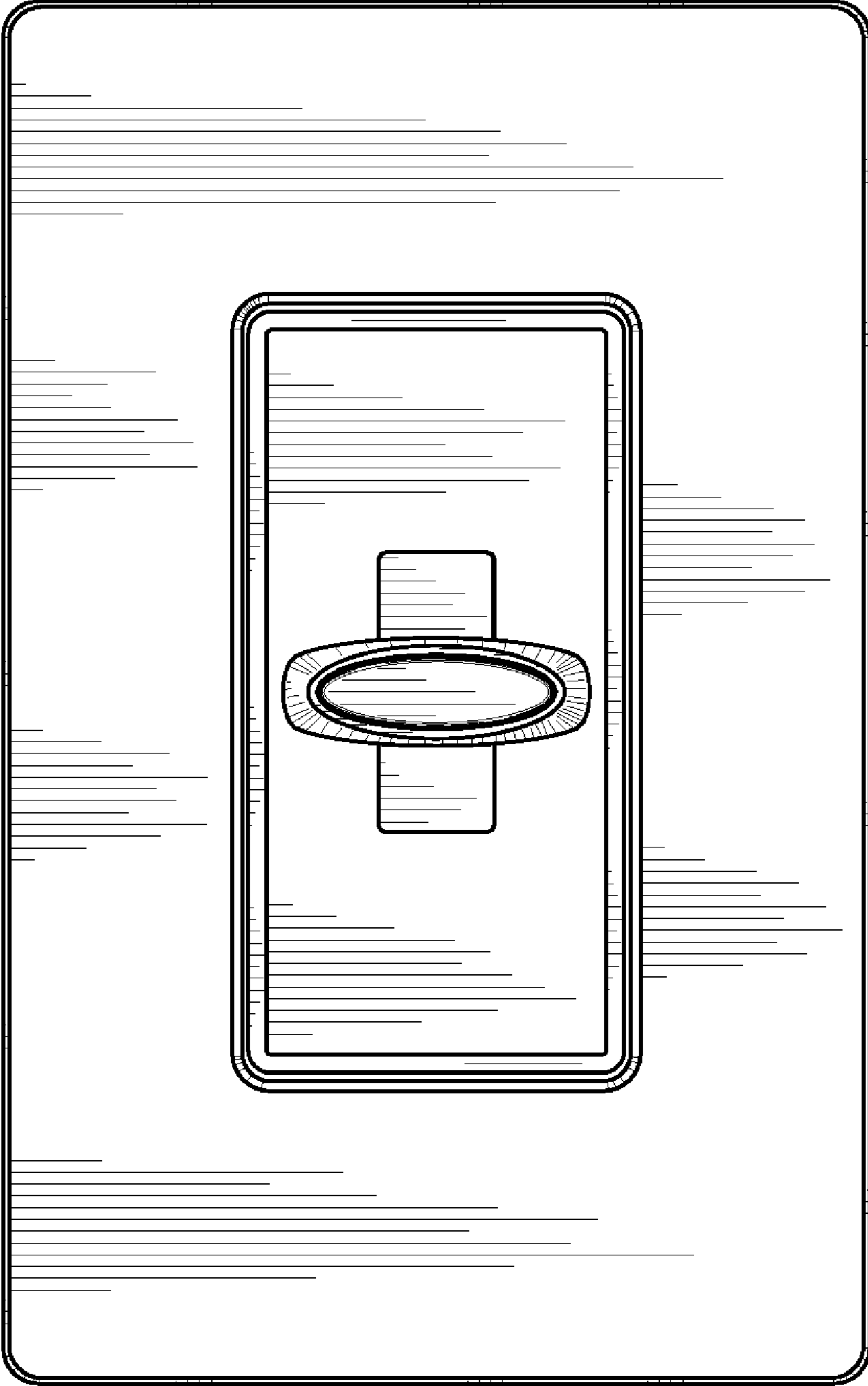


Fig. 2

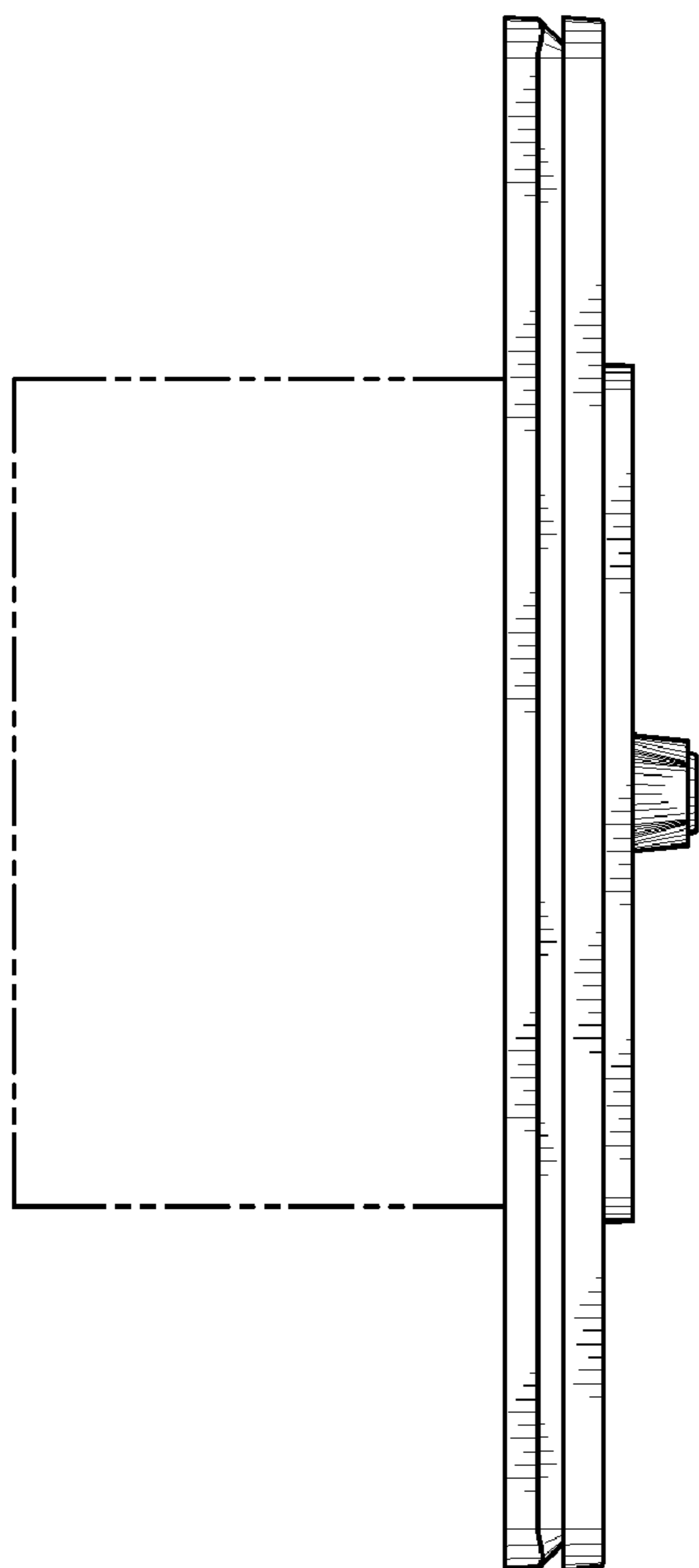


Fig. 3

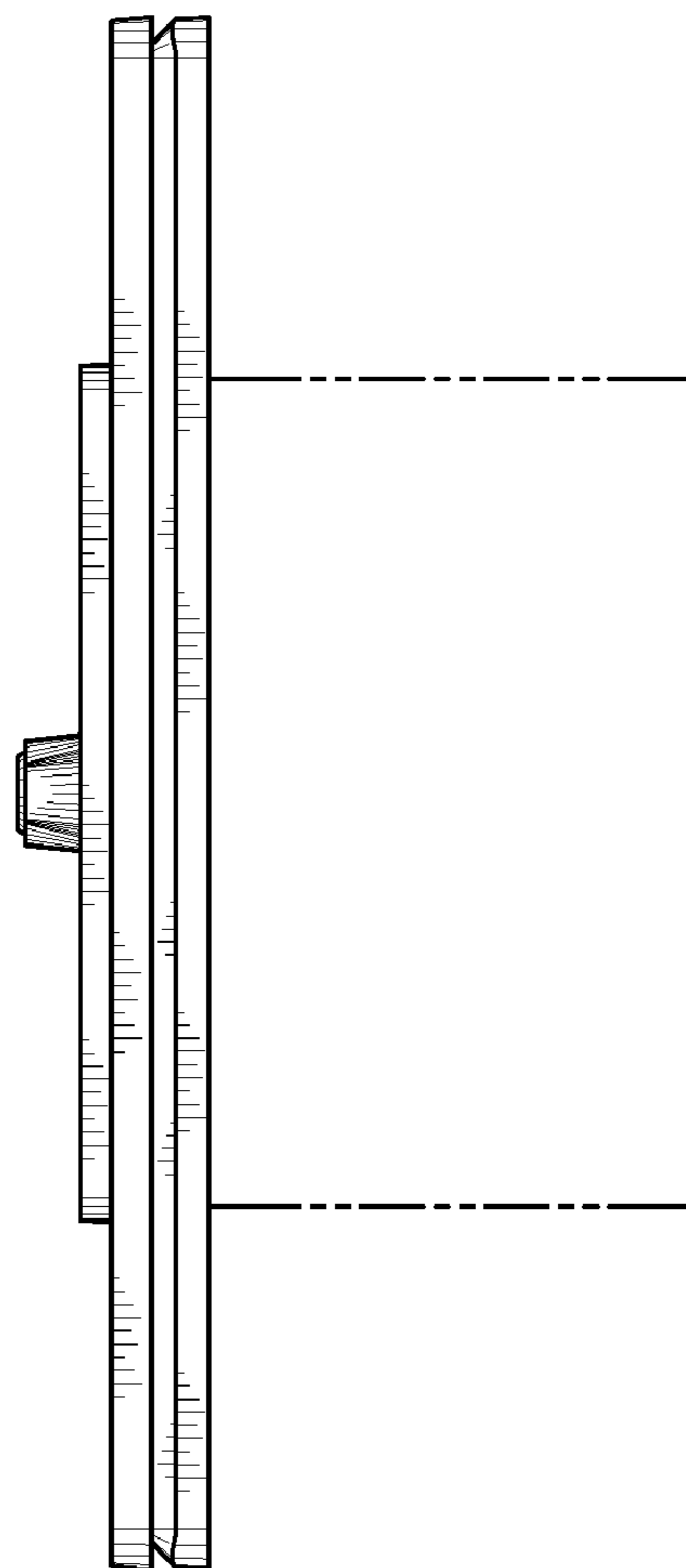


Fig. 4

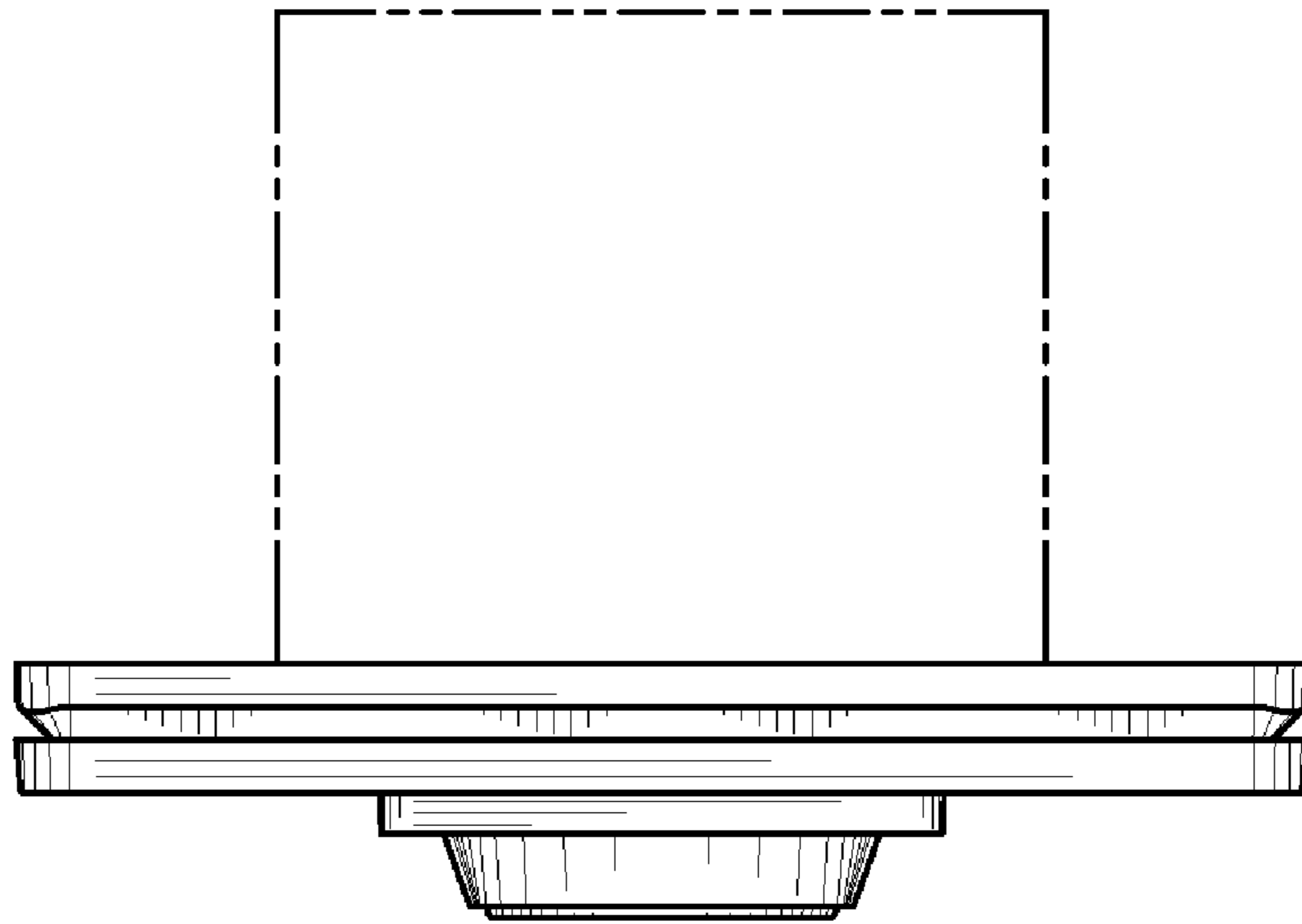


Fig. 5

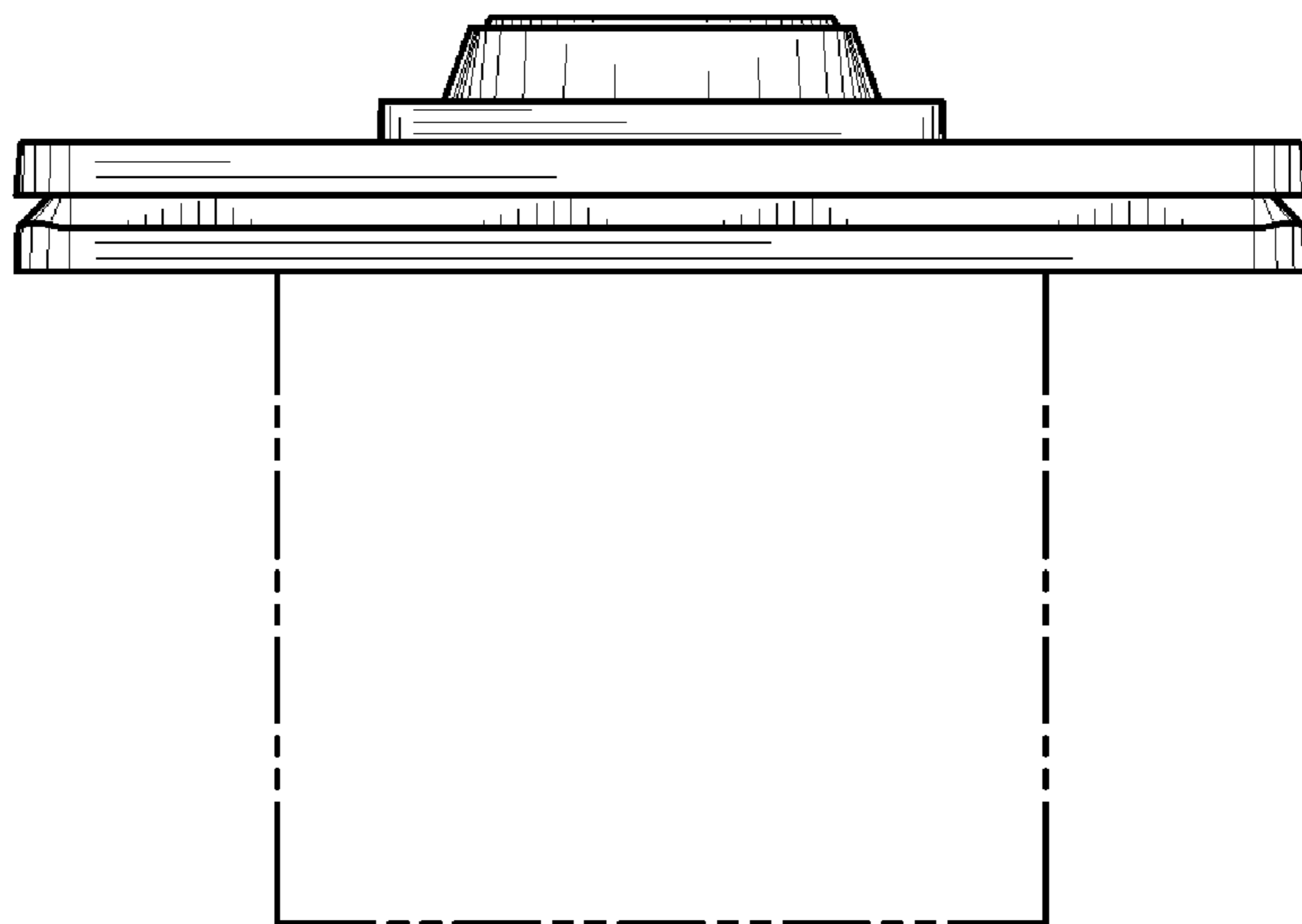


Fig. 6

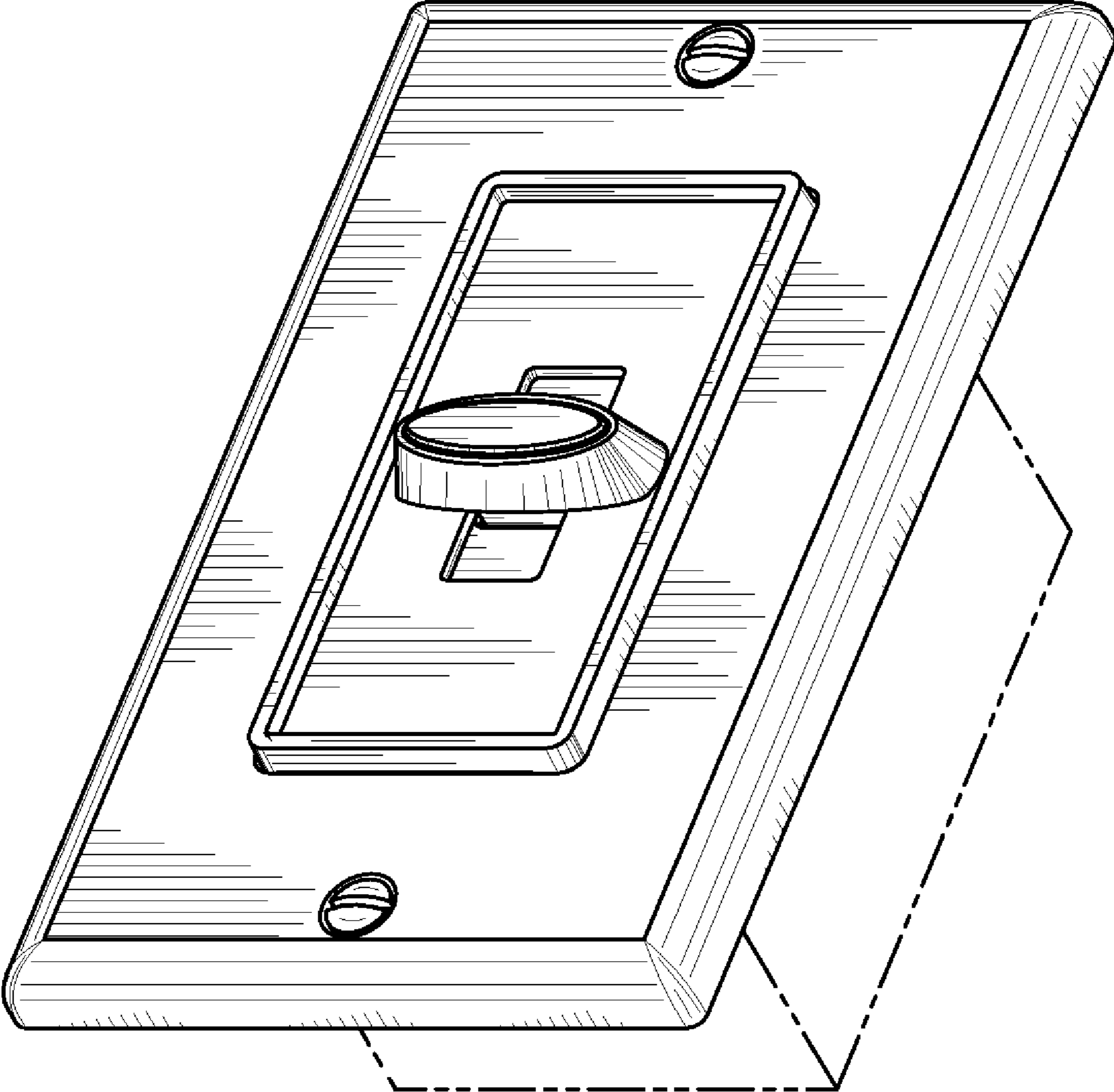


Fig. 7

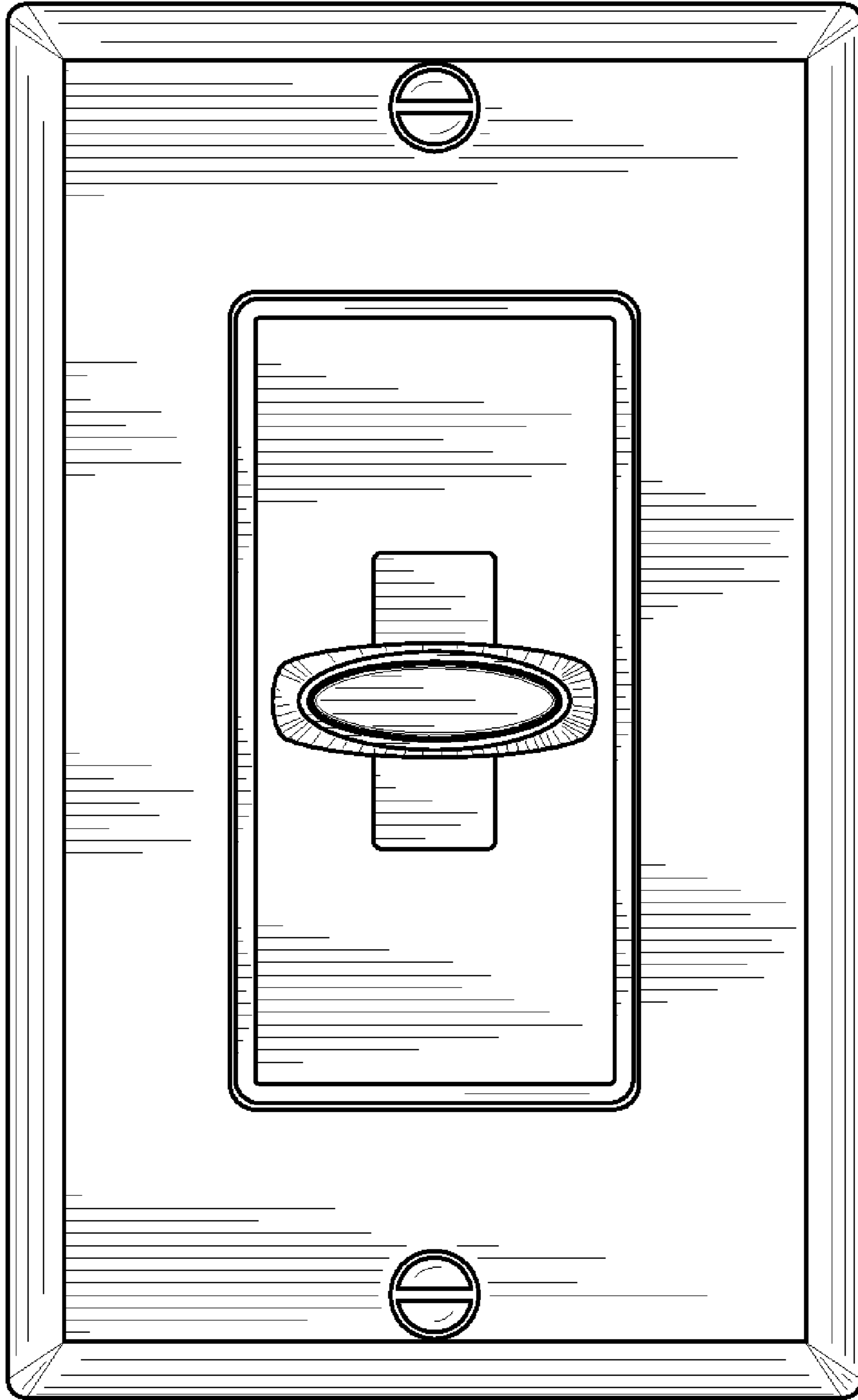


Fig. 8

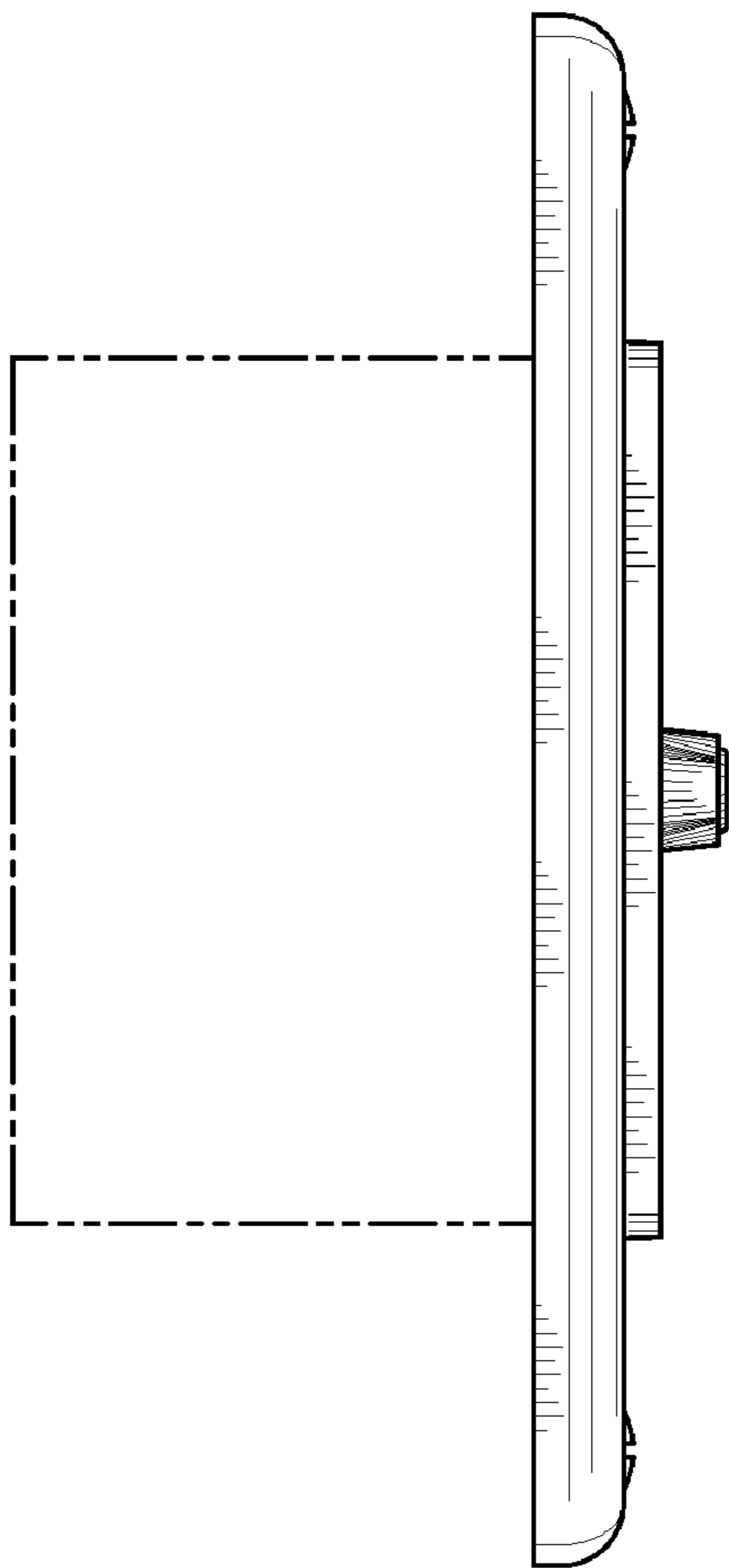


Fig. 9

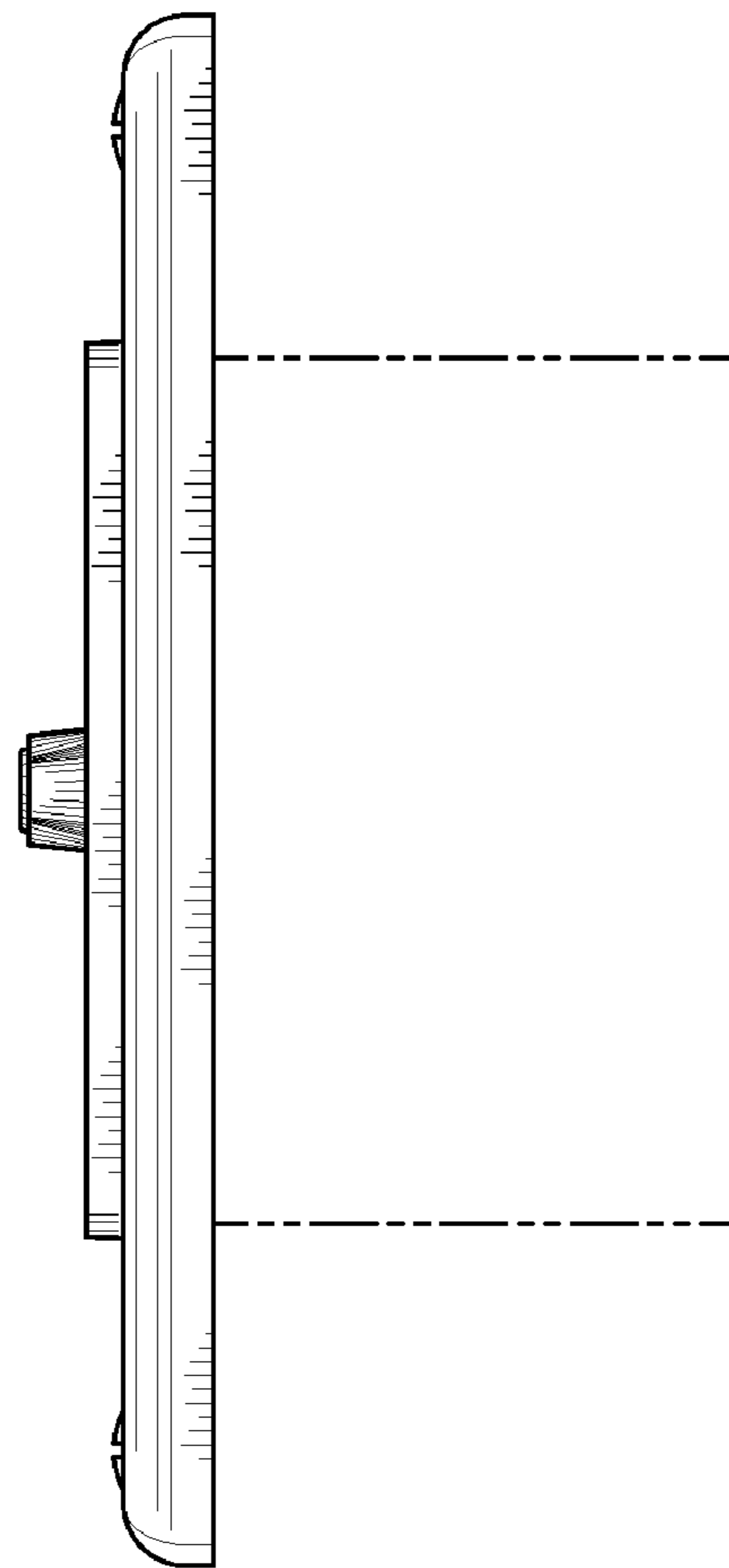


Fig. 10

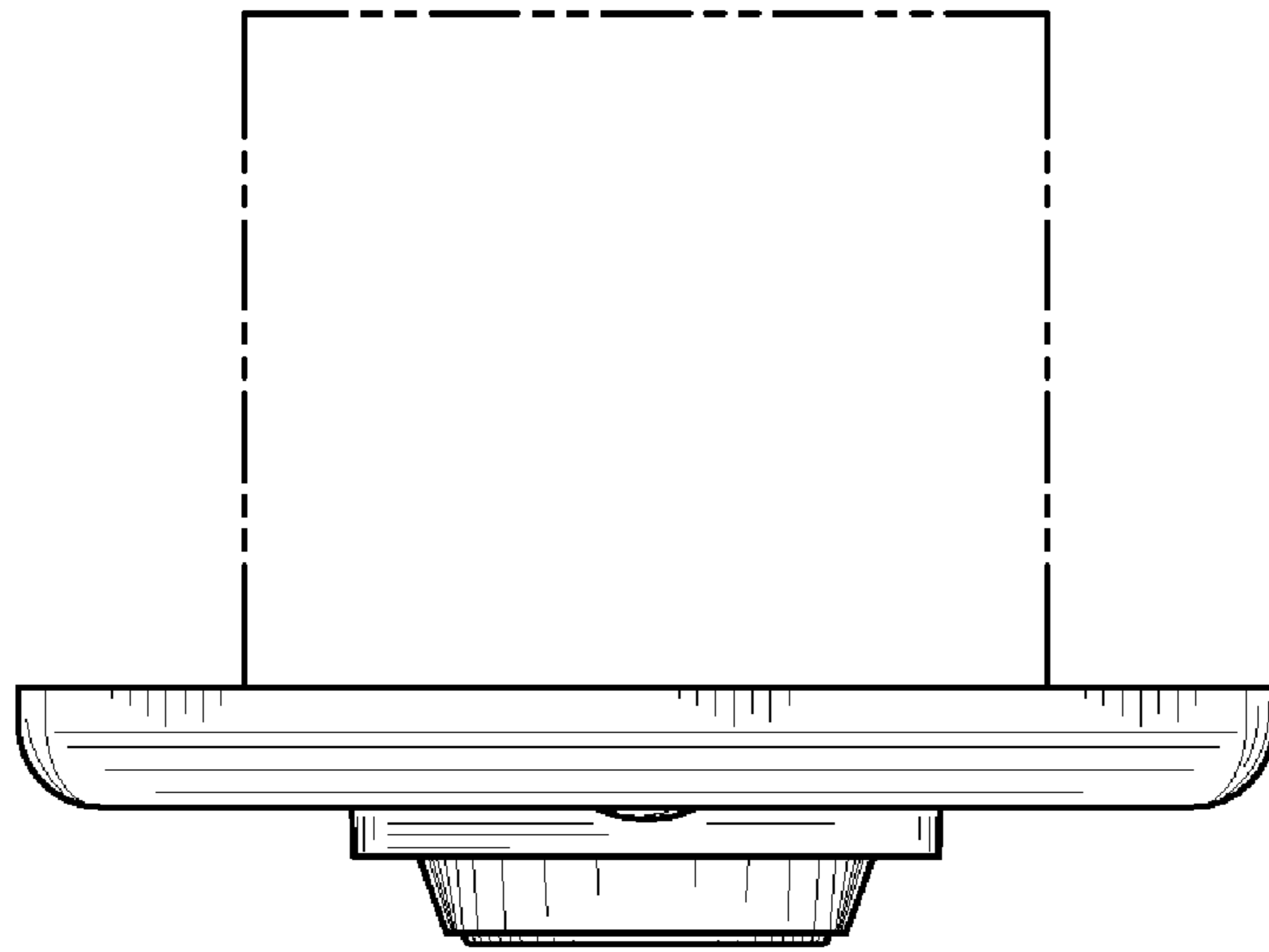


Fig. 11

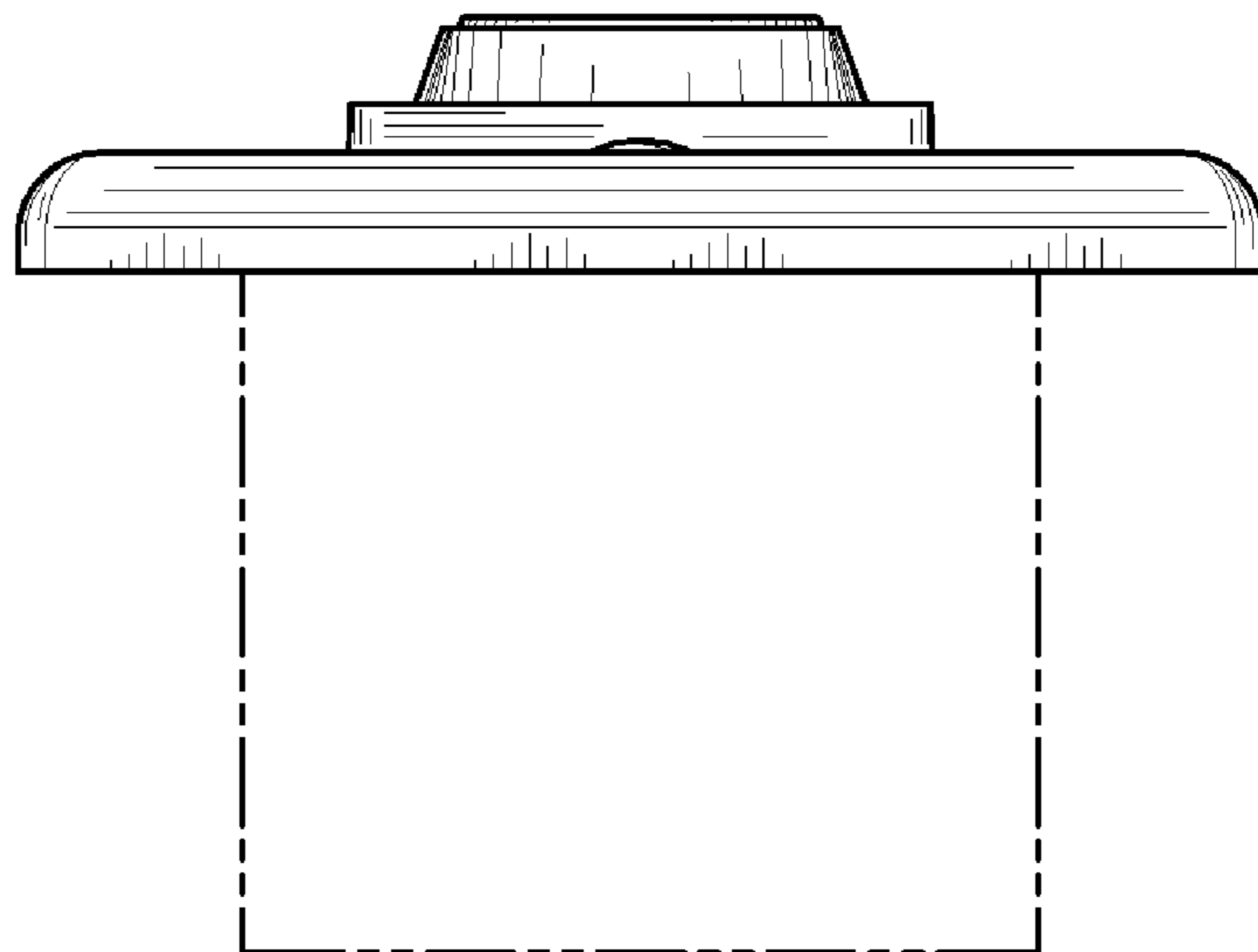


Fig. 12

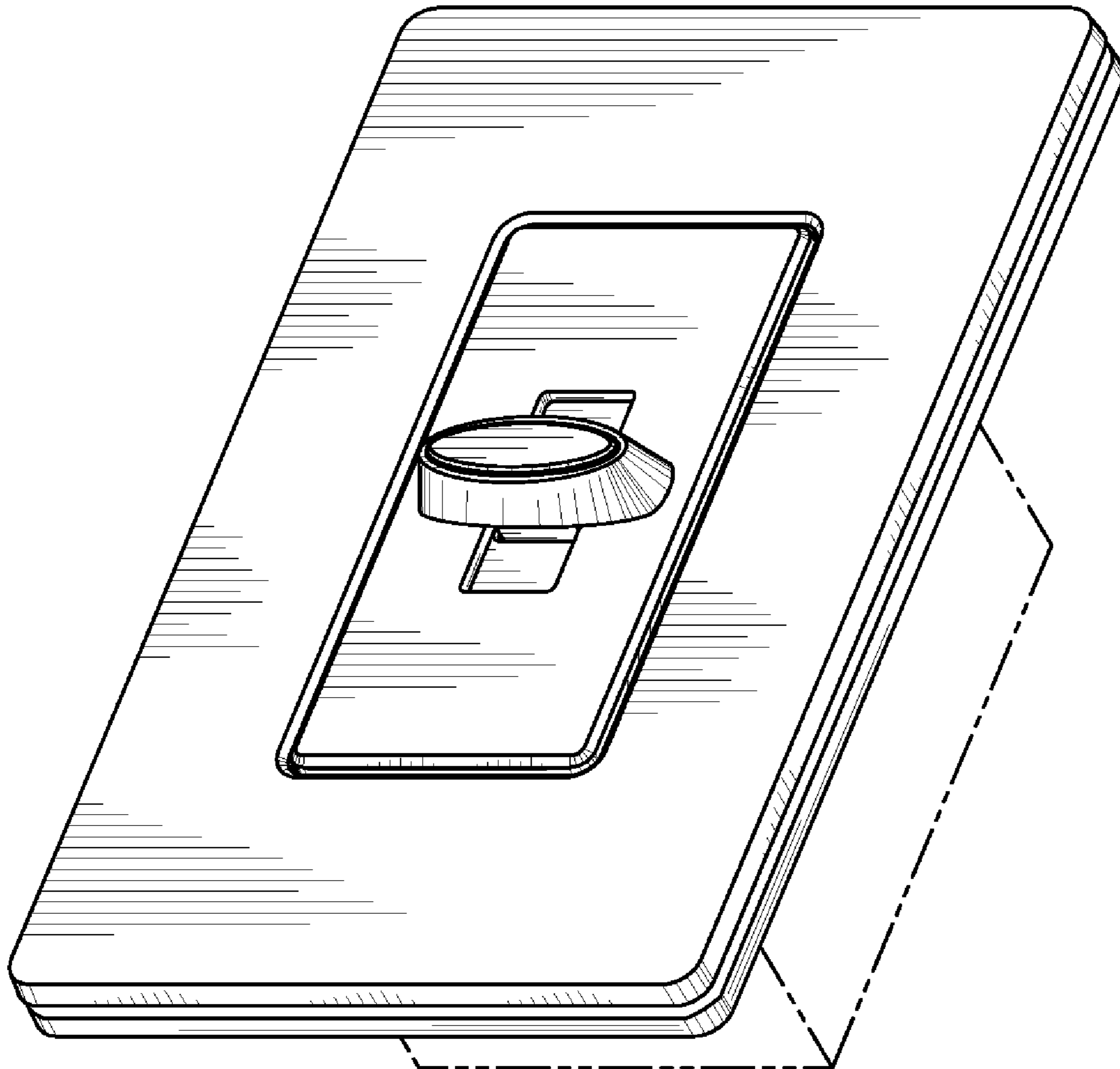


Fig. 13

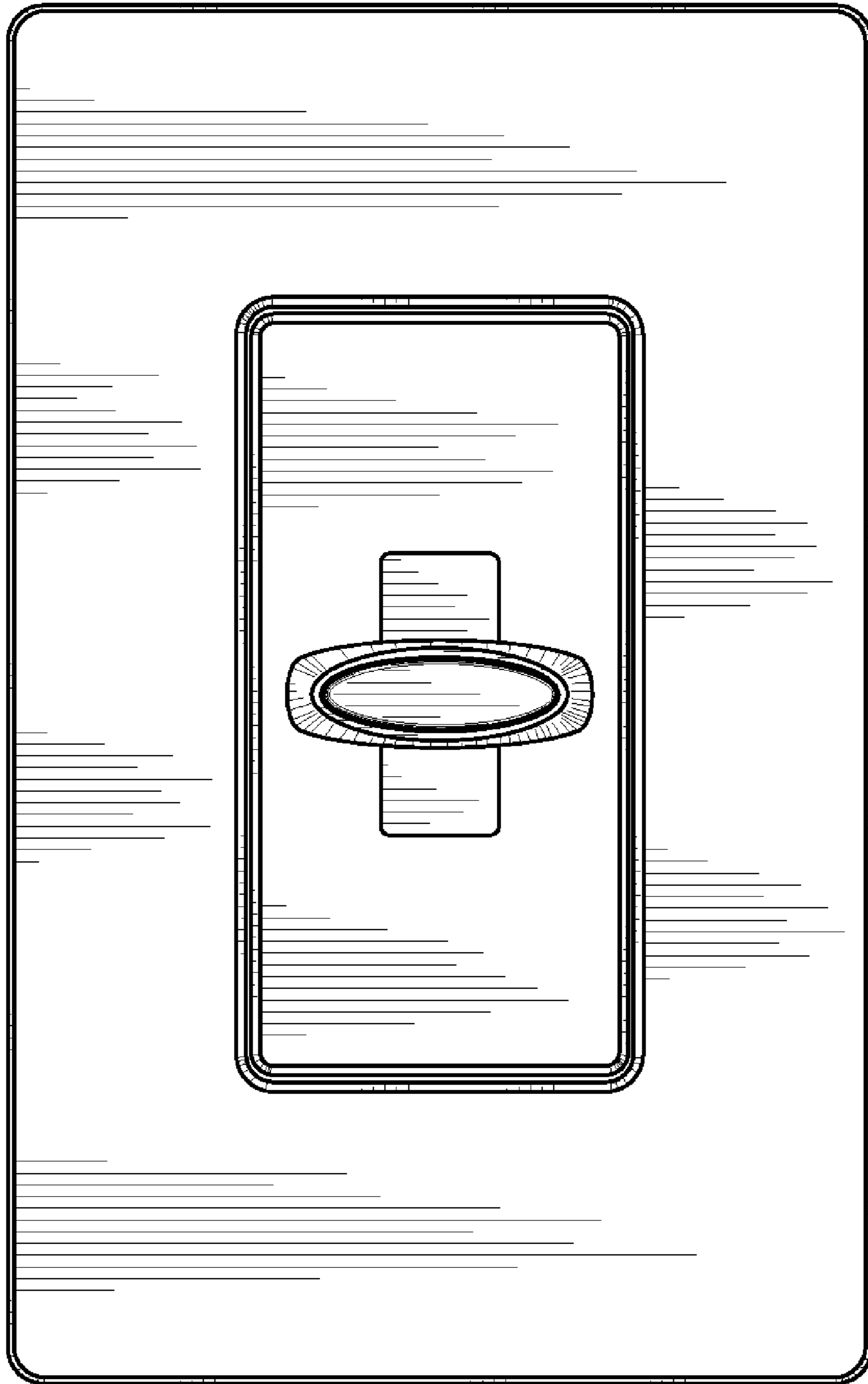


Fig. 14

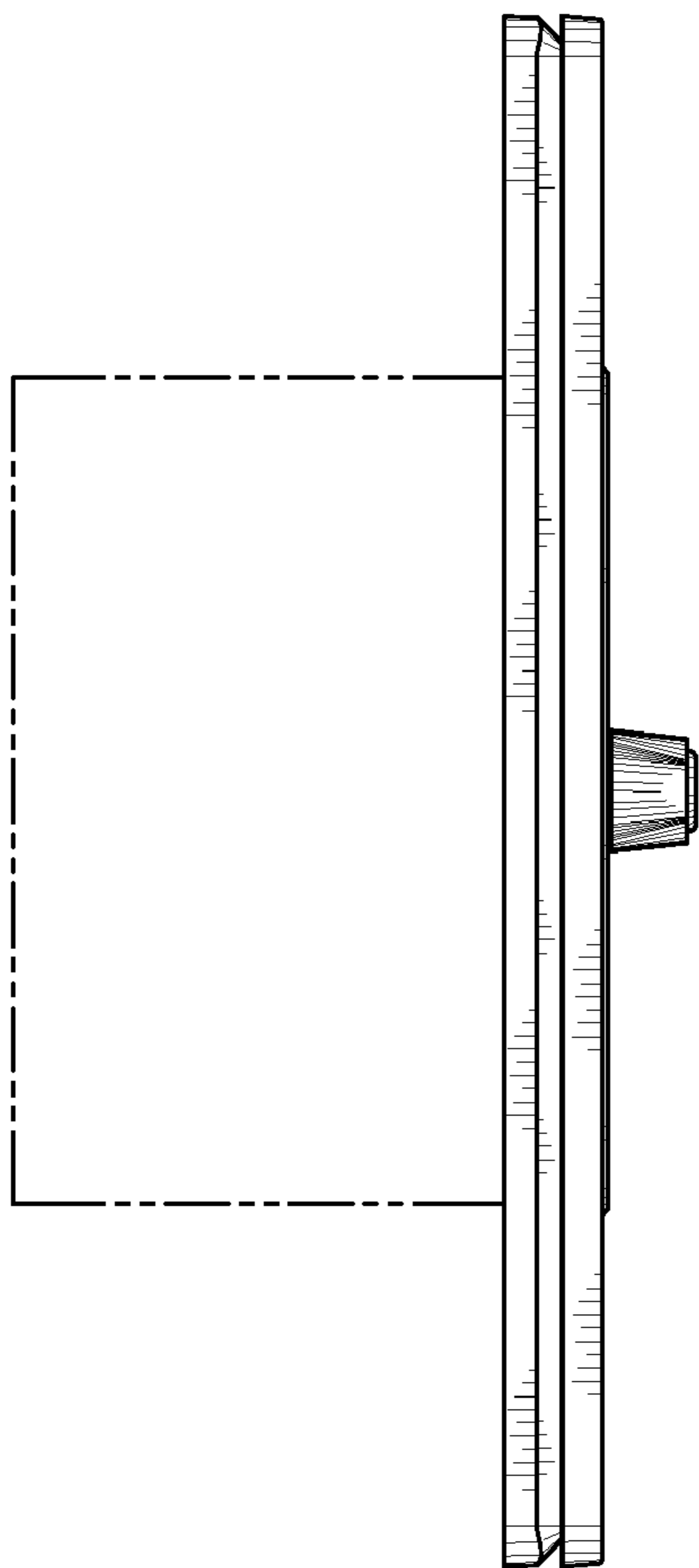


Fig. 15

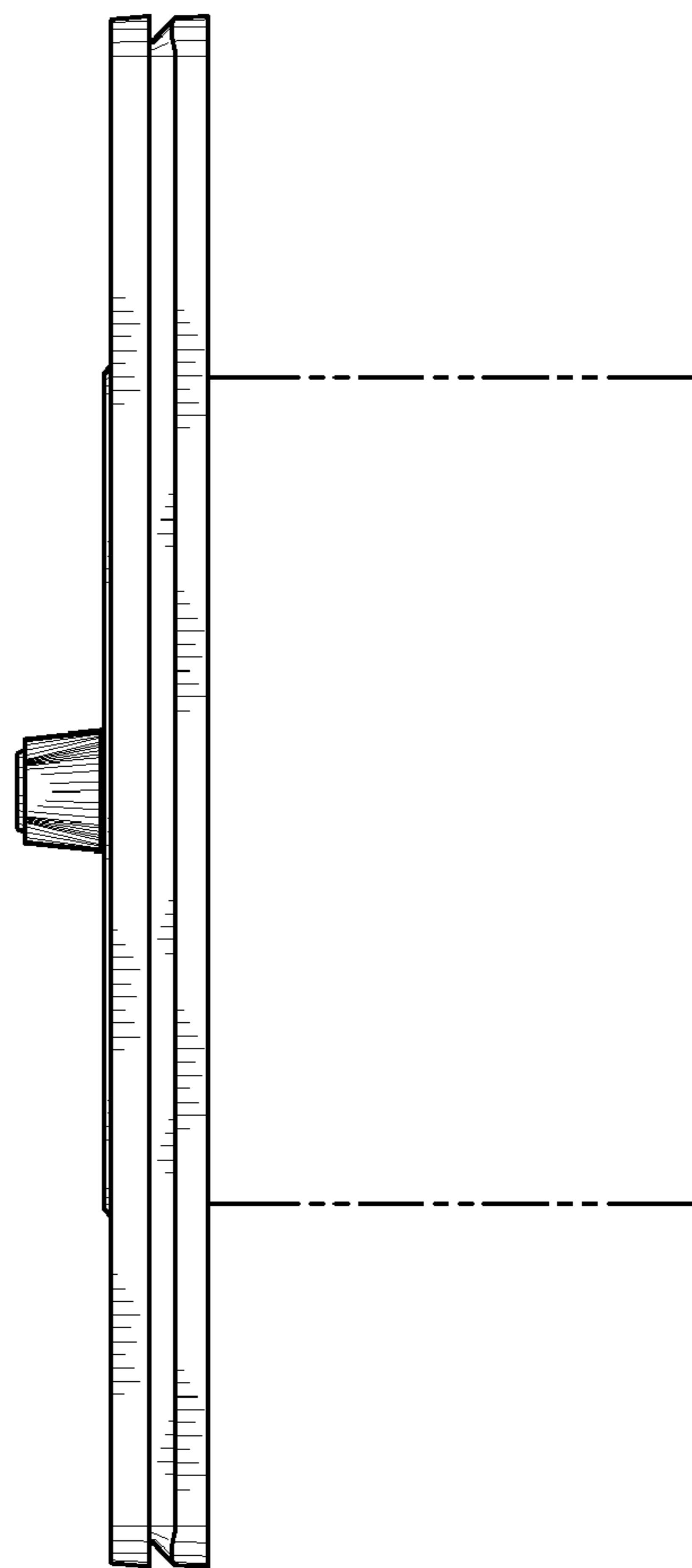


Fig. 16

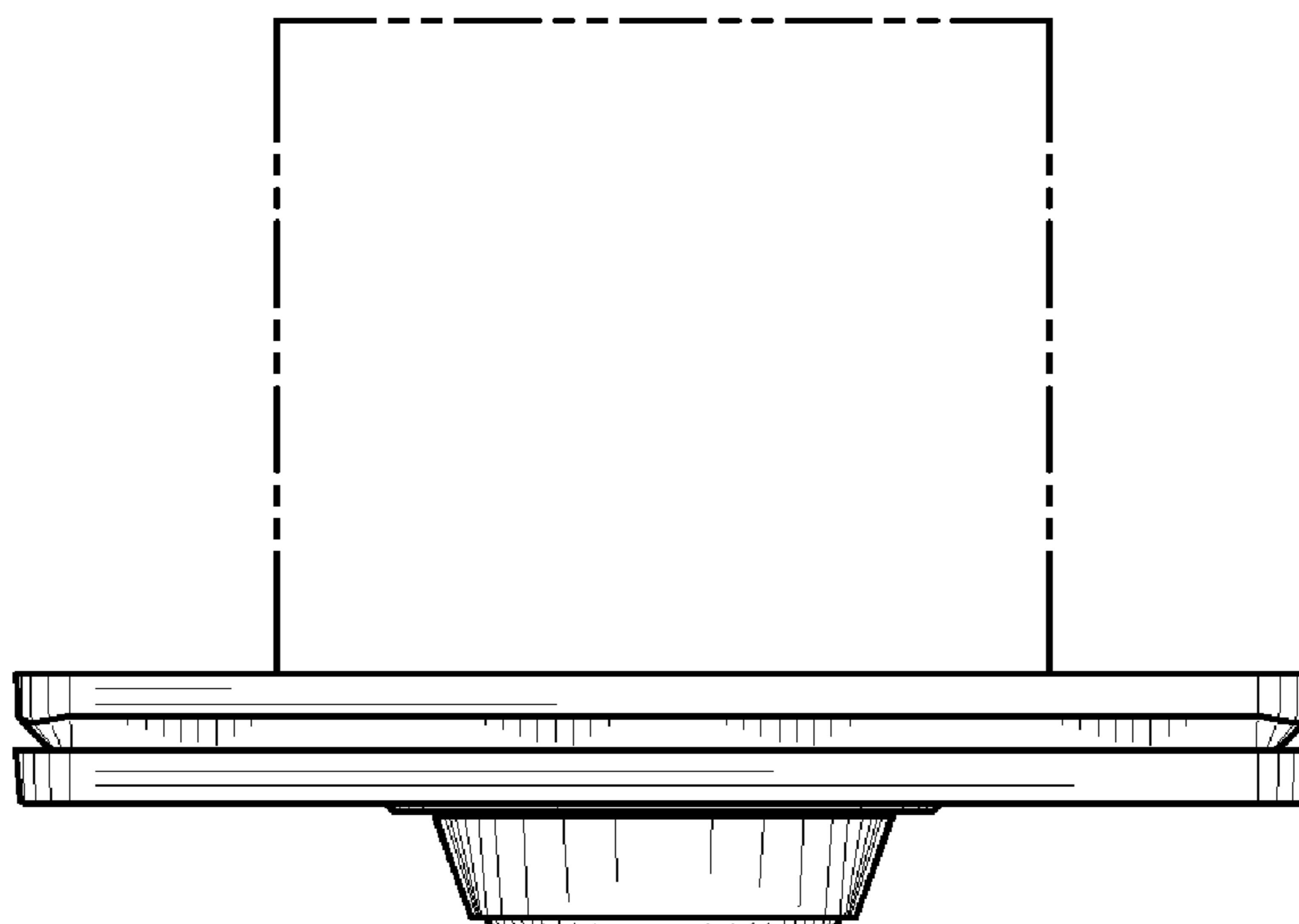


Fig. 17

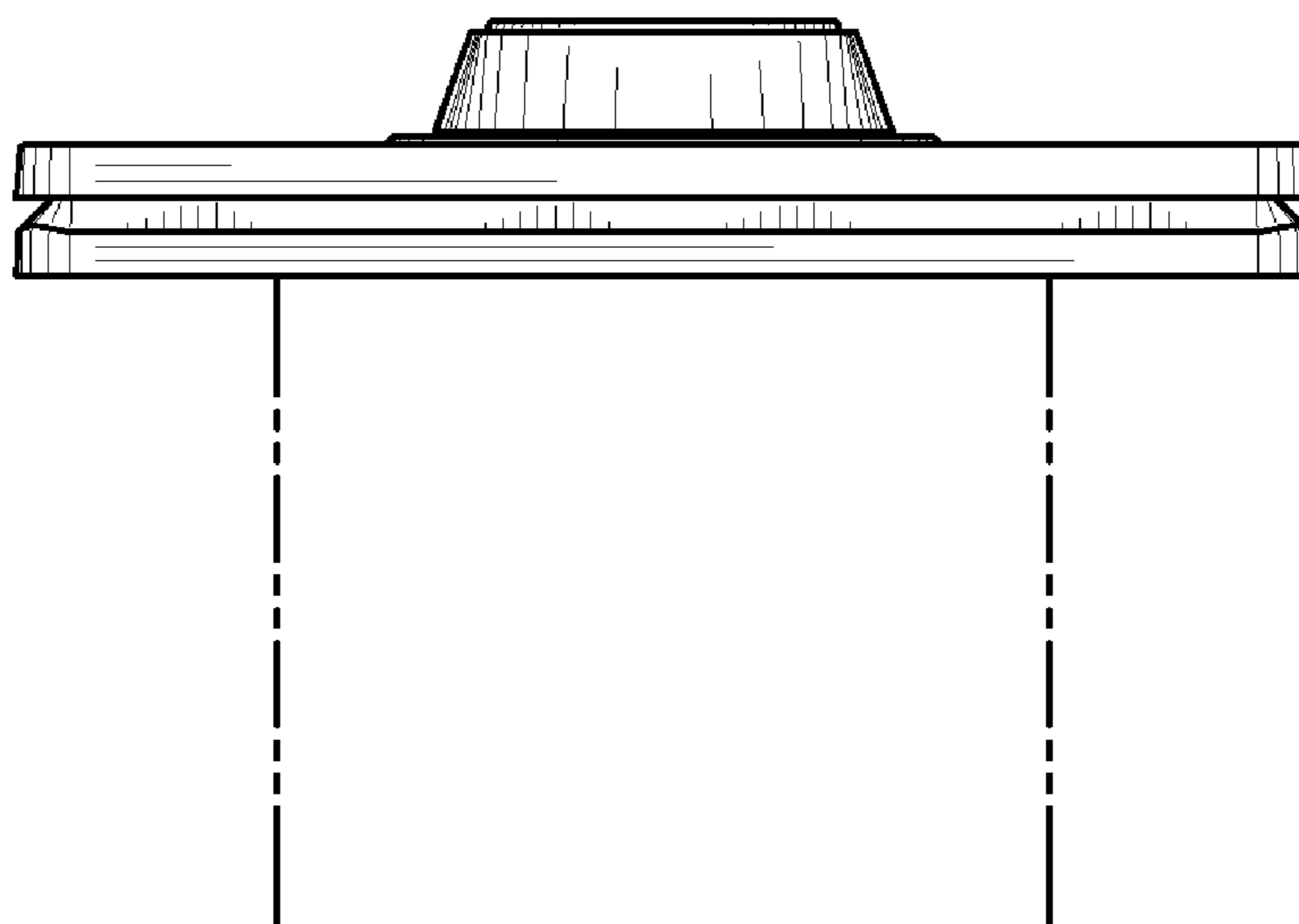


Fig. 18

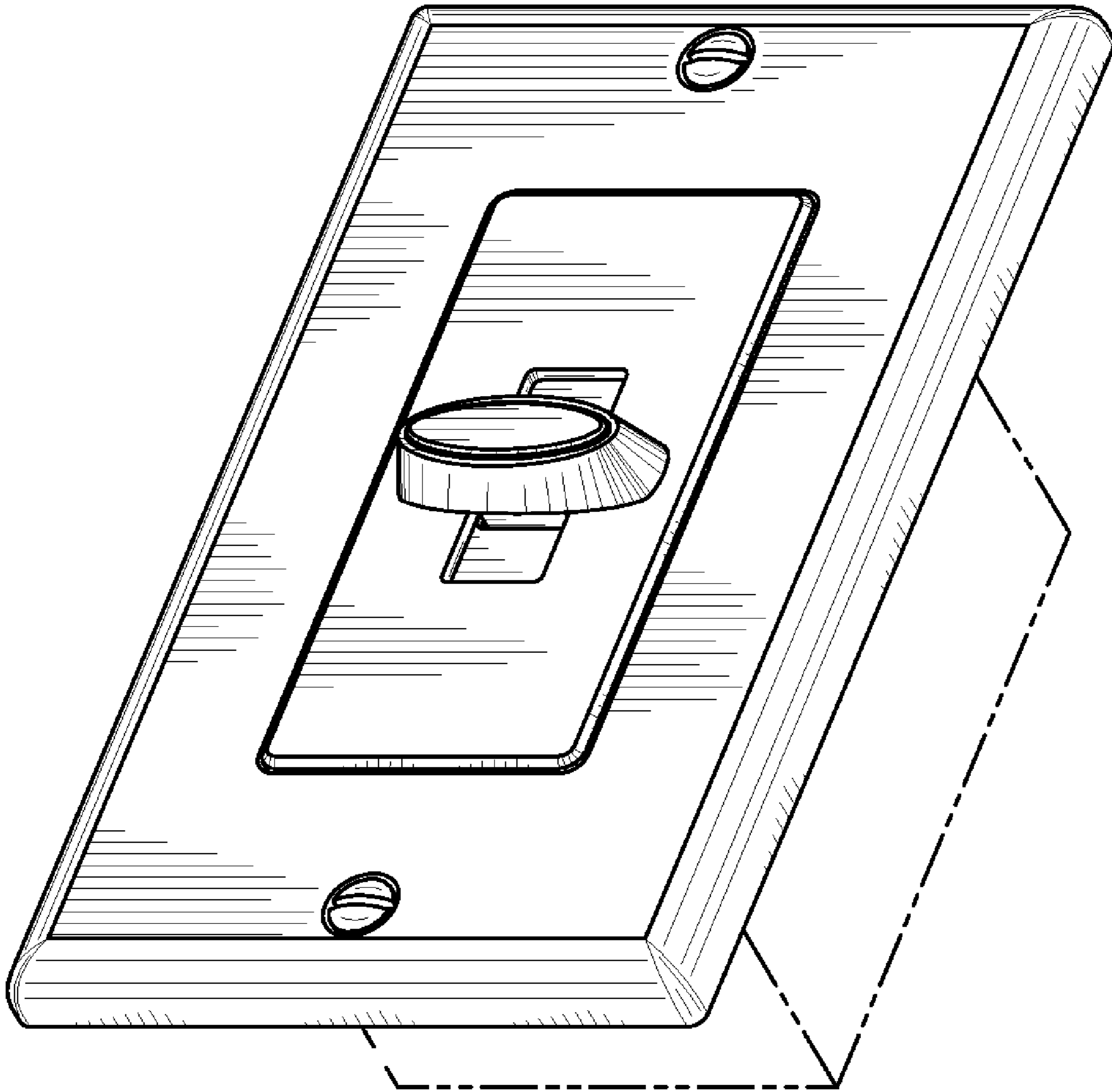


Fig. 19

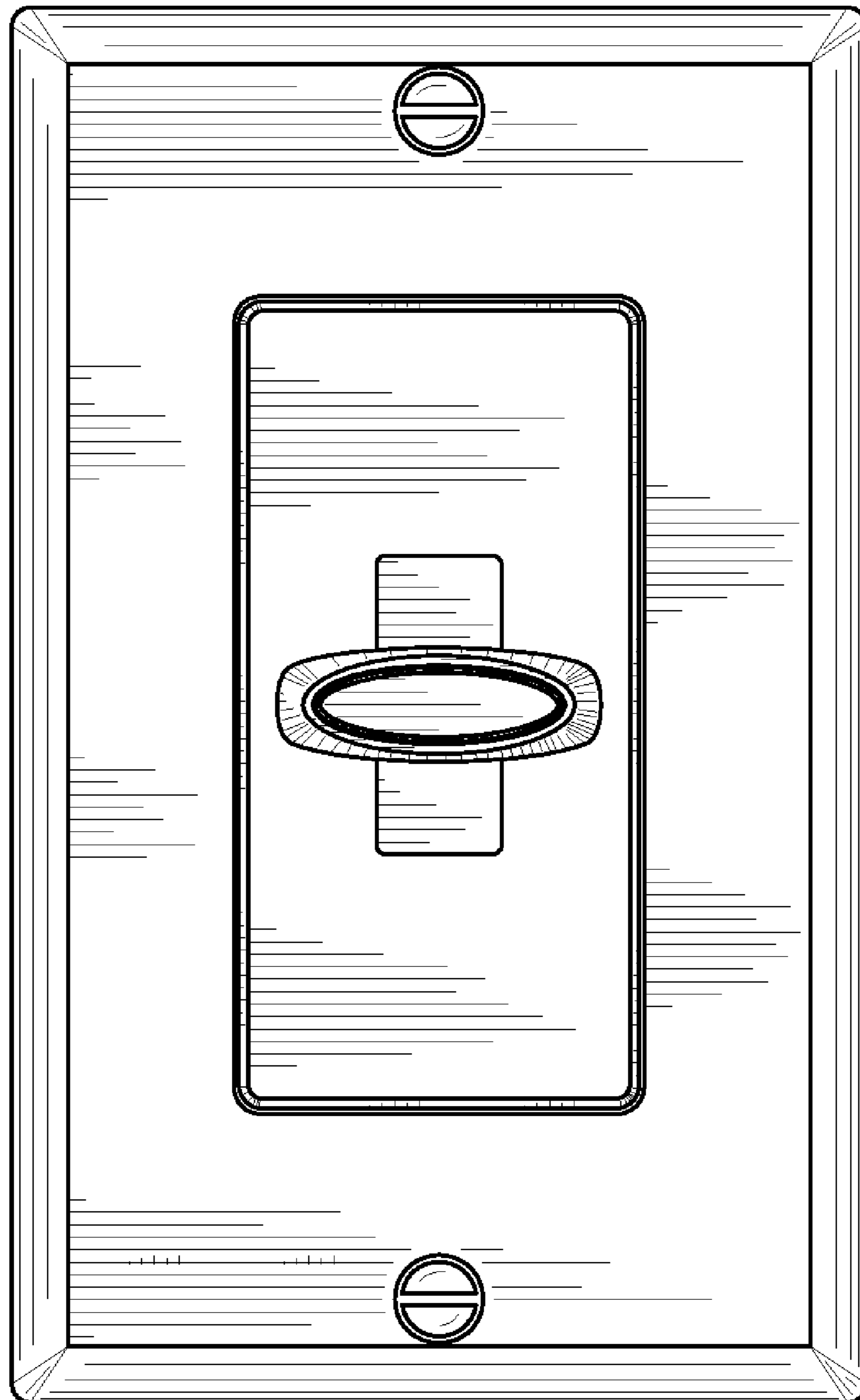


Fig. 20

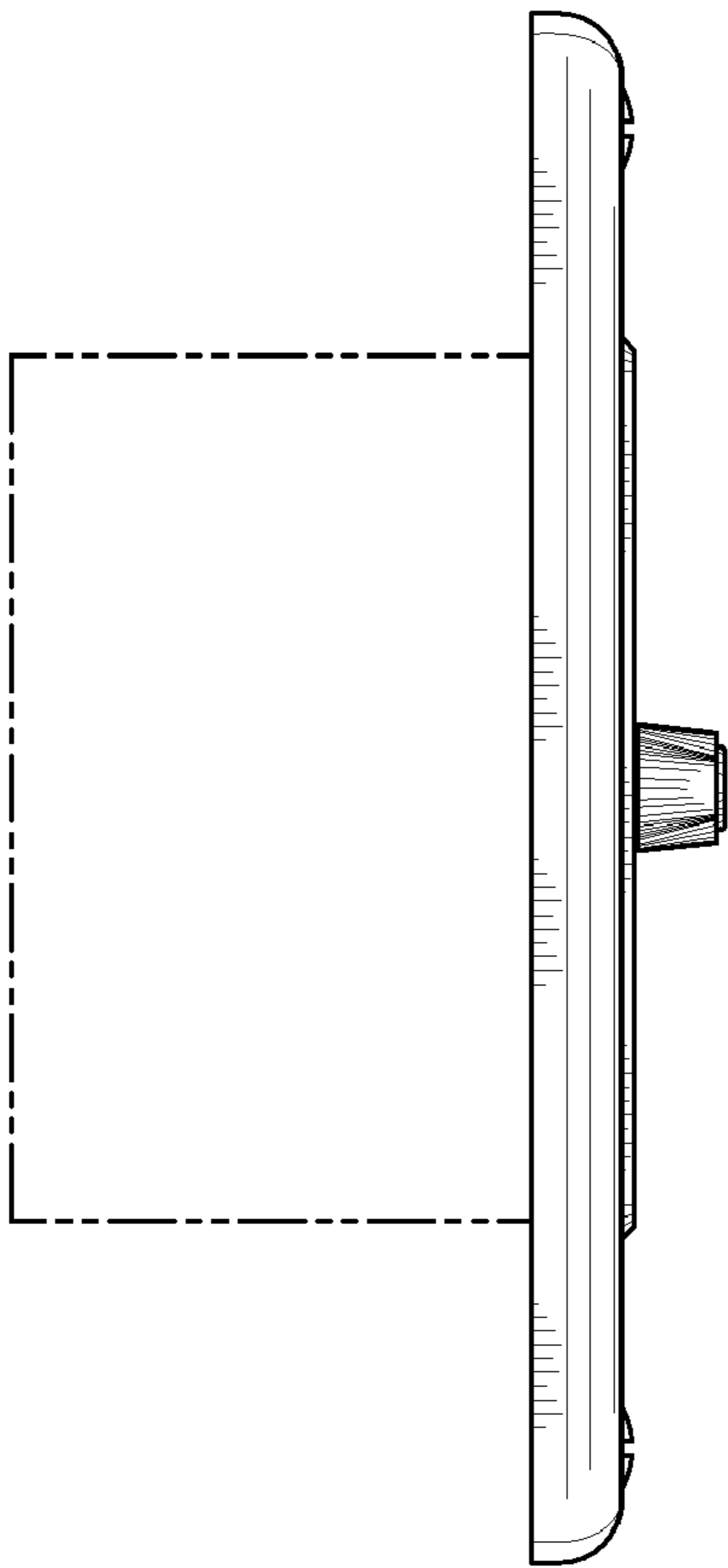


Fig. 21

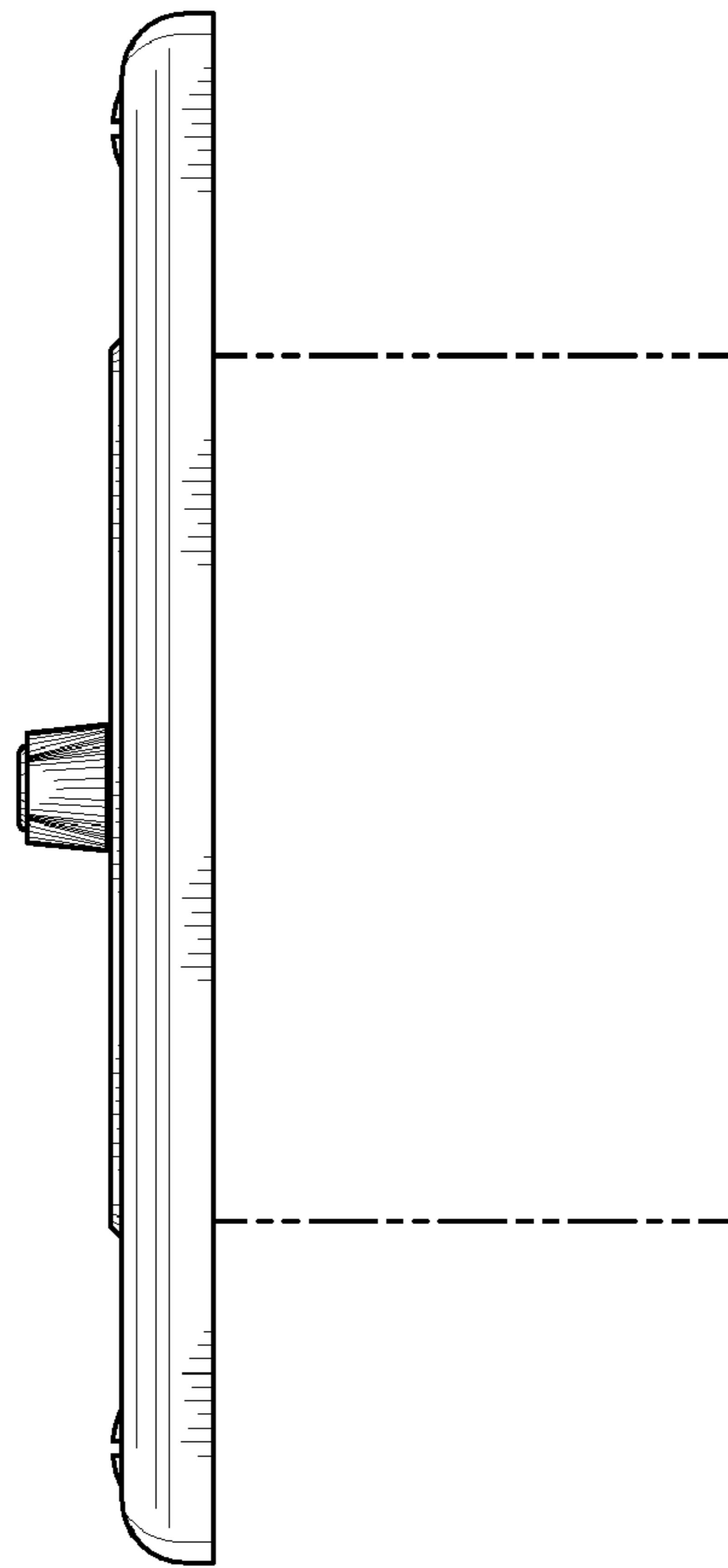


Fig. 22

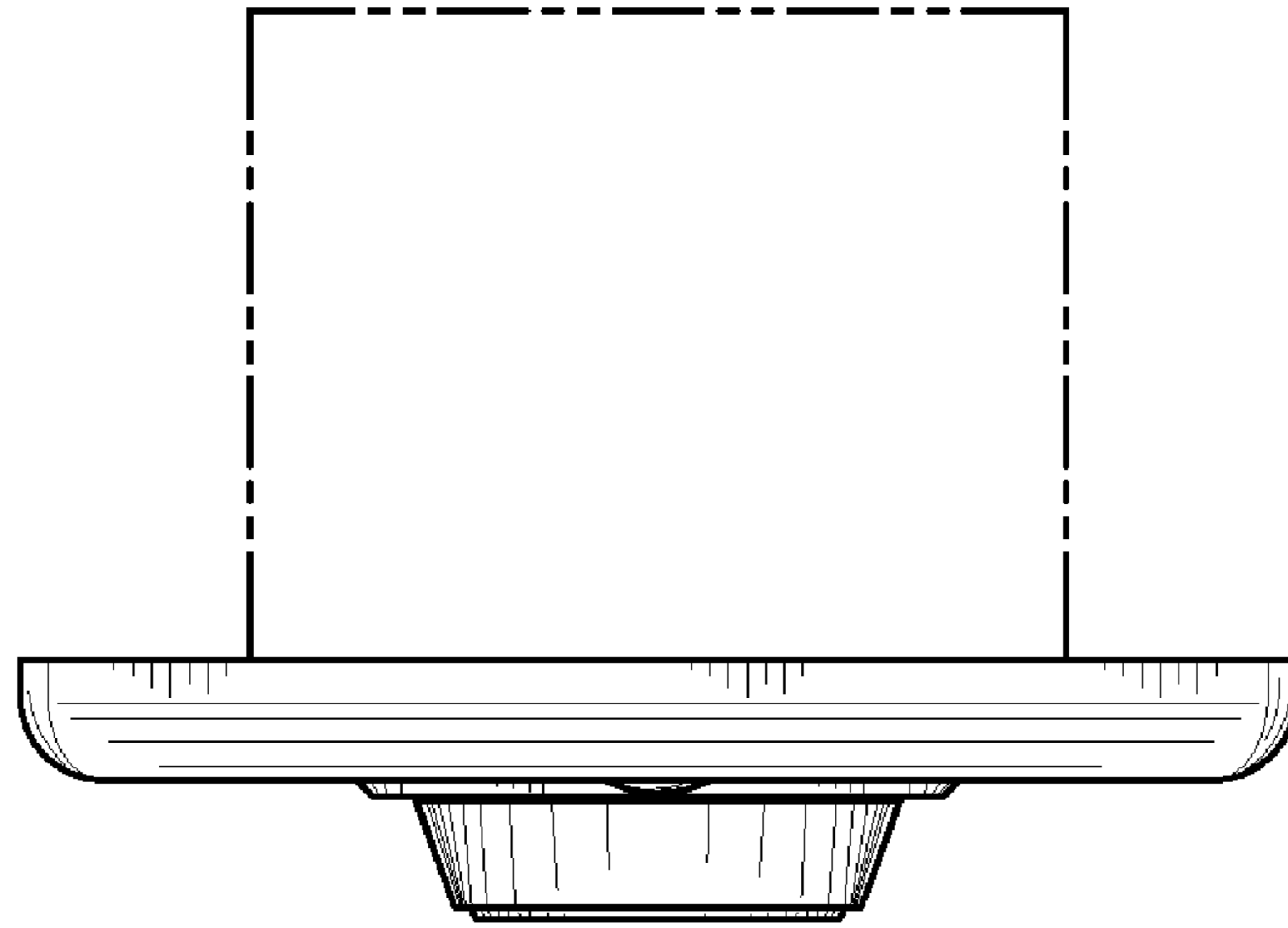


Fig. 23

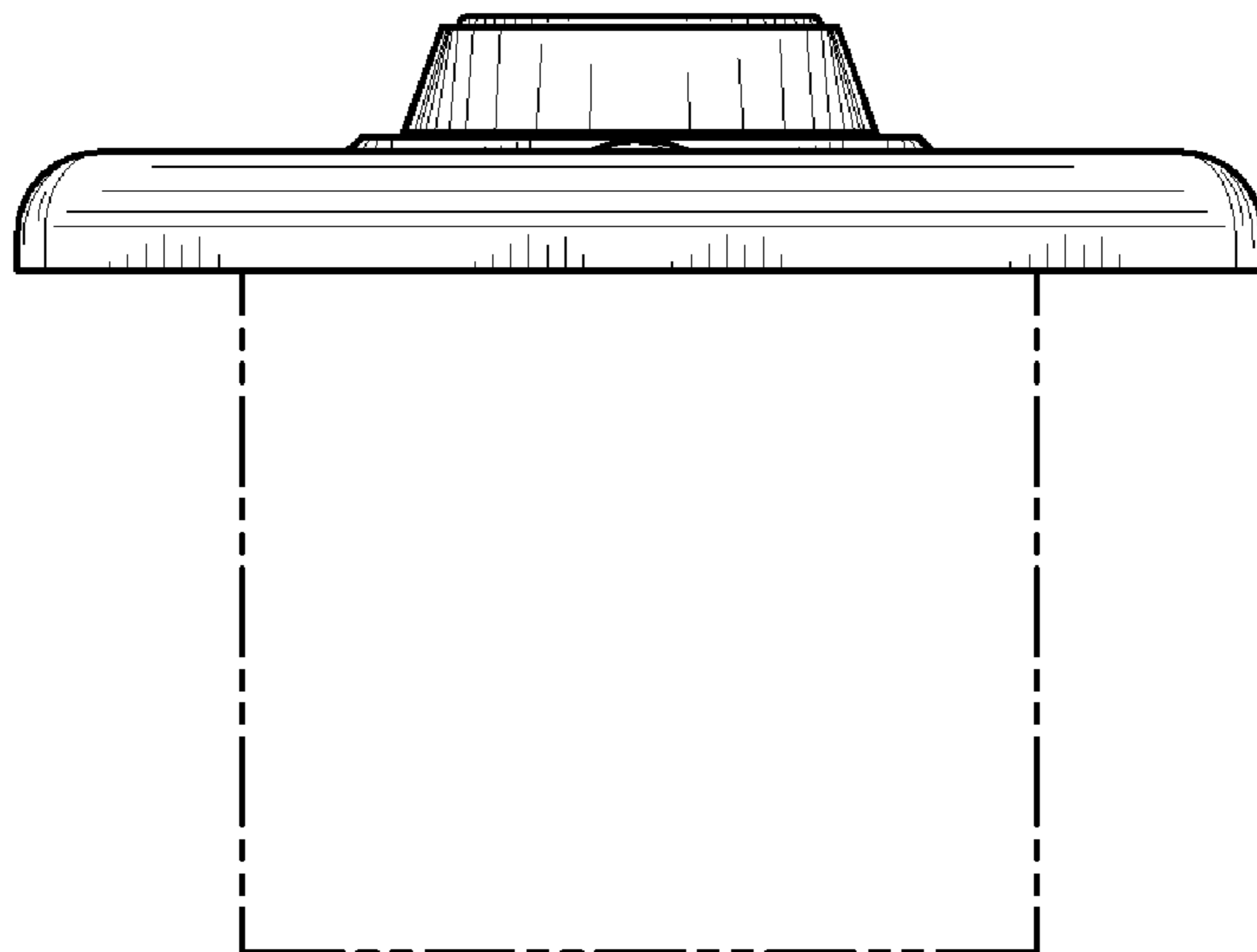


Fig. 24