

US00D562258S

(12) **United States Design Patent** (10) **Patent No.:** **US D562,258 S**
Nakao et al. (45) **Date of Patent:** **** Feb. 19, 2008**

(54) **ELECTROMAGNETIC RELAY**

(75) Inventors: **Daisuke Nakao**, Kumamoto (JP);
Shinichi Furusho, Kumamoto (JP)

(73) Assignee: **Omron Corporation**, Kyoto (JP)

(**) Term: **14 Years**

(21) Appl. No.: **29/281,439**

(22) Filed: **Jun. 22, 2007**

Related U.S. Application Data

(62) Division of application No. 29/258,748, filed on Apr. 27, 2006, now Pat. No. Des. 553,576.

(30) **Foreign Application Priority Data**

Oct. 27, 2005 (JP) D2005-031420
Oct. 27, 2005 (JP) D2005-031421

(51) **LOC (8) Cl.** **13-03**

(52) **U.S. Cl.** **D13/159**

(58) **Field of Classification Search** D13/158,
D13/159, 160, 161, 133, 149, 151, 182; 335/281,
335/274, 202, 17, 135, 129, 128, 86, 84,
335/83, 81, 80, 78; 200/238, 329; 361/819;
174/564; 337/166, 198, 242, 255, 295; 439/290,
439/397, 745, 855

See application file for complete search history.

(56) **References Cited**

U.S. PATENT DOCUMENTS

4,010,438 A * 3/1977 Scherer 337/232
4,349,804 A * 9/1982 Gaia 337/198
4,672,352 A * 6/1987 Takano 337/264
4,837,538 A 6/1989 Dittman
D332,773 S 1/1993 Sato et al.
D337,991 S 8/1993 Linton et al.
5,262,751 A * 11/1993 Kudo et al. 337/296
5,266,046 A 11/1993 Bogiel
5,266,056 A 11/1993 Baderschneider et al.
D369,345 S 4/1996 Burroughs et al.
5,528,213 A * 6/1996 Kondo et al. 337/160

D409,145 S 5/1999 Yoshiura
D410,226 S 5/1999 Yoshiura
5,917,399 A * 6/1999 Ishii 337/290
6,118,359 A 9/2000 Dittmann et al.
6,163,244 A * 12/2000 Endo et al. 337/160
6,259,342 B1 7/2001 Malingowski et al.
6,917,277 B2 * 7/2005 Ohashi et al. 337/160
6,940,375 B2 9/2005 Sanada et al.
D534,129 S 12/2006 Park
D535,625 S 1/2007 Park
7,205,870 B2 4/2007 Sanada et al.
2006/0071741 A1 4/2006 Bogdon et al.

OTHER PUBLICATIONS

EICHHOFFRelais/Relays, HD03005893 dated May 9, 1991.
JP Office Action (and partial English language translation).

* cited by examiner

Primary Examiner—Selina Sikder

Assistant Examiner—Thomas J Johannes

(74) *Attorney, Agent, or Firm*—Harness, Dickey & Pierce,
P.L.C.

(57) **CLAIM**

The ornamental design for an electromagnetic relay, as shown and described.

DESCRIPTION

FIG. 1 is a front, top, right side perspective view of the electromagnetic relay showing our new design;

FIG. 2 is a rear, top, right side perspective view thereof;

FIG. 3 is a front elevational view thereof;

FIG. 4 is a rear elevational view thereof;

FIG. 5 is a top plan view thereof;

FIG. 6 is a bottom plan view thereof;

FIG. 7 is a right side elevational view thereof; and,

FIG. 8 is a left side elevational view thereof.

The broken lines shown in the drawings are for illustrative purposes only and form no part of the claimed design.

1 Claim, 6 Drawing Sheets

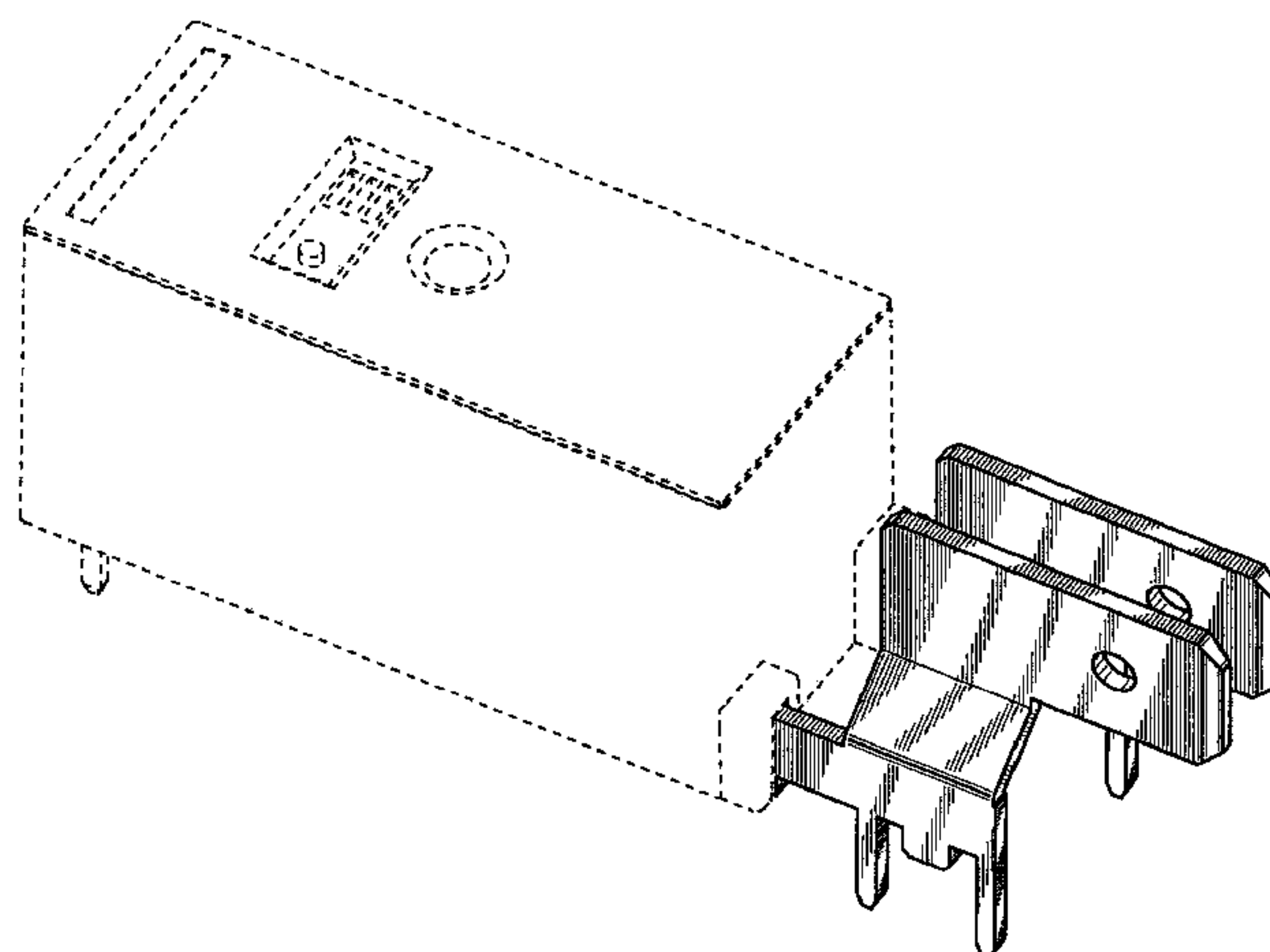
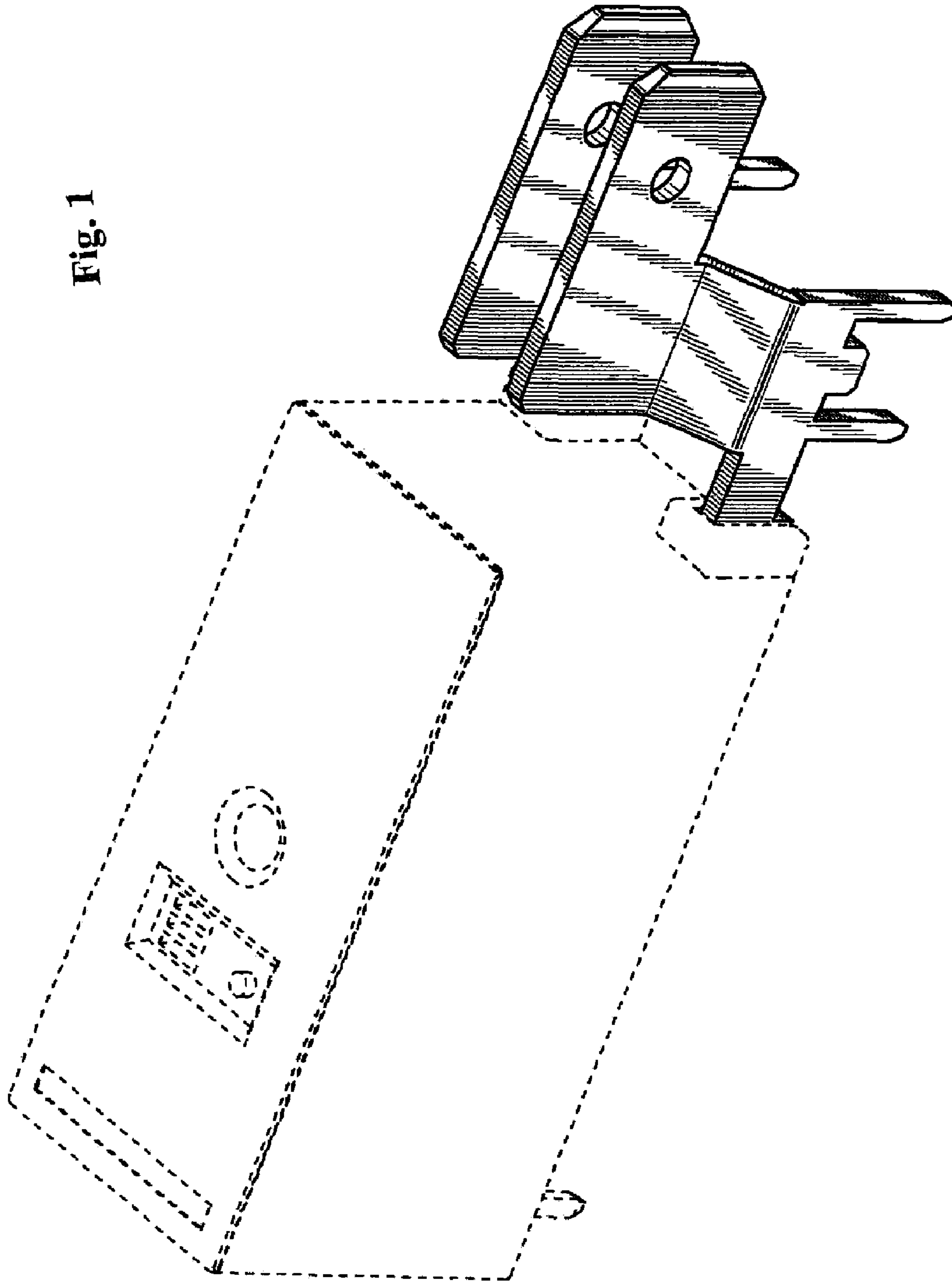


Fig. 1



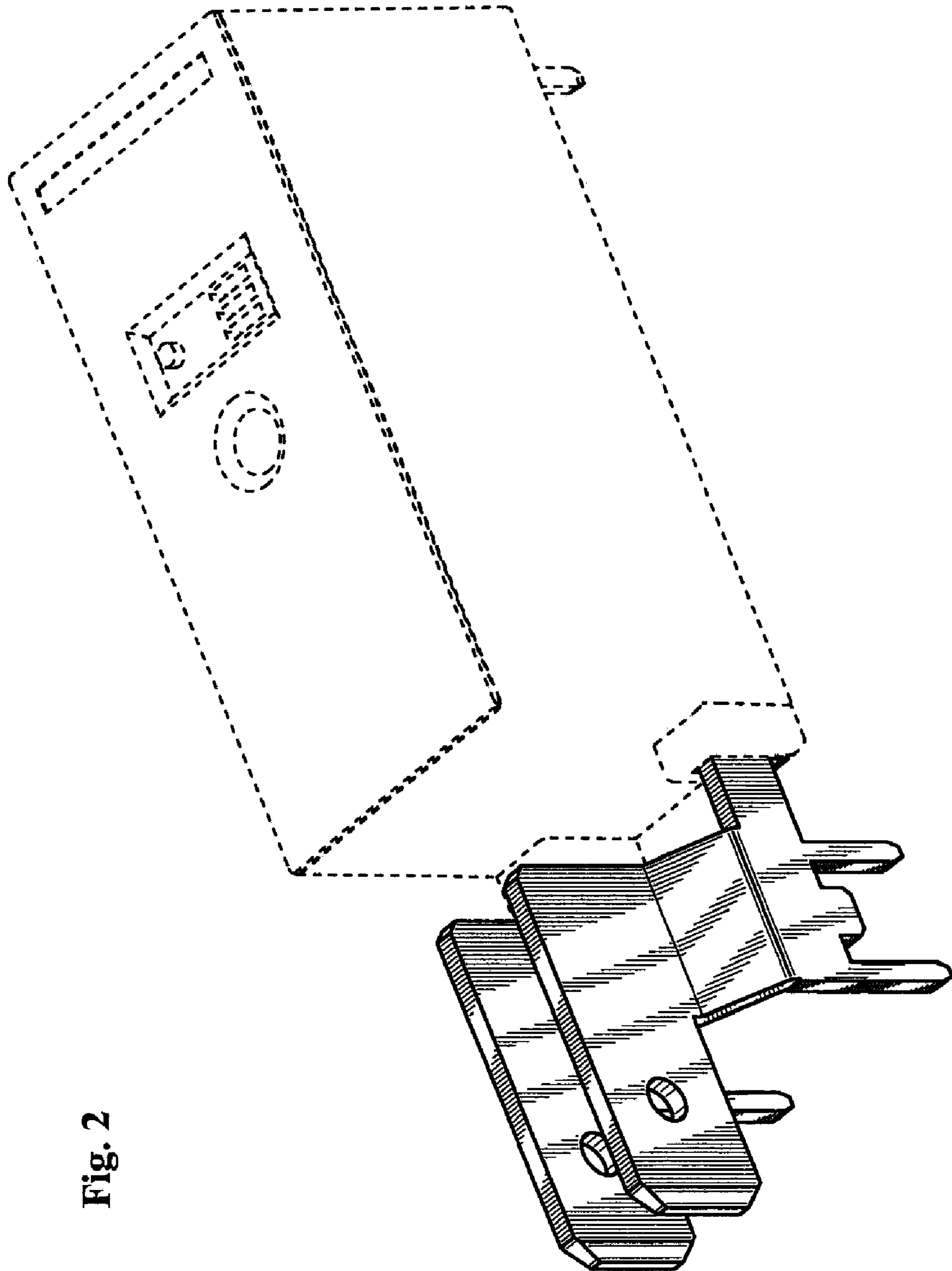


Fig. 2

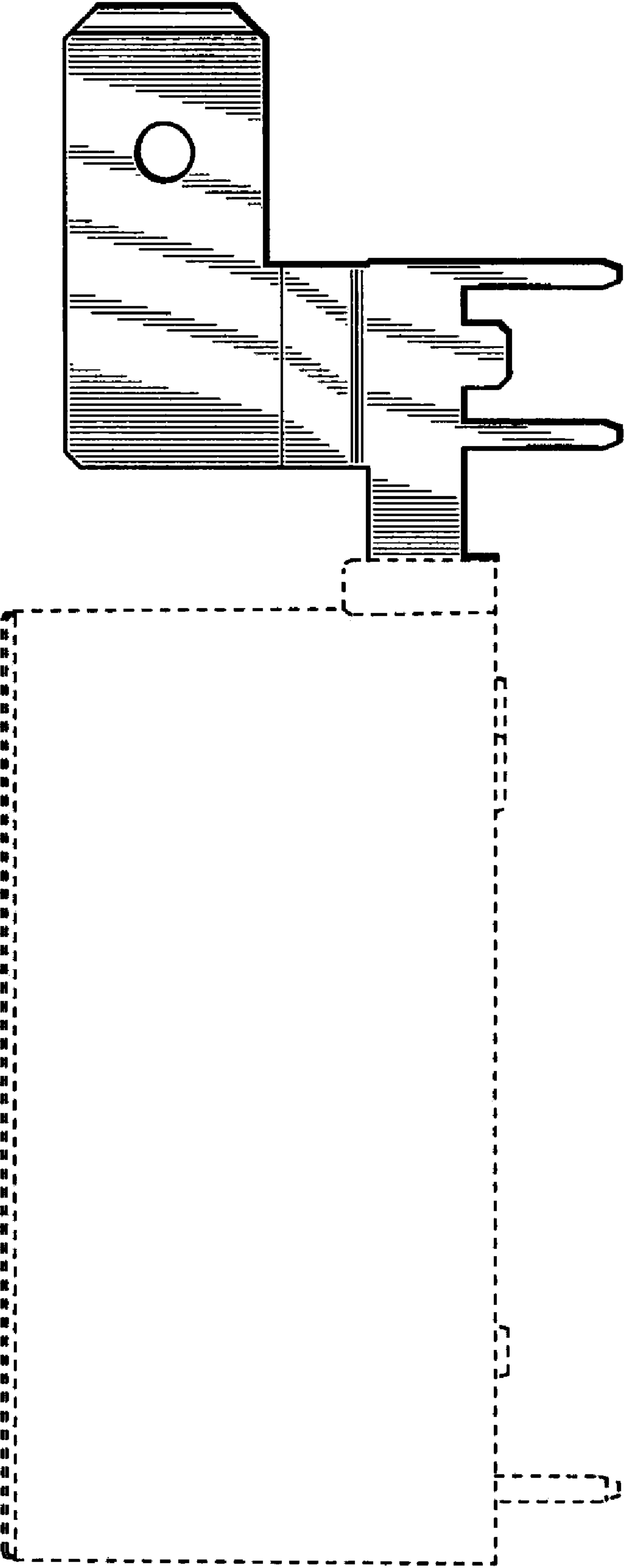


Fig. 3

Fig. 4

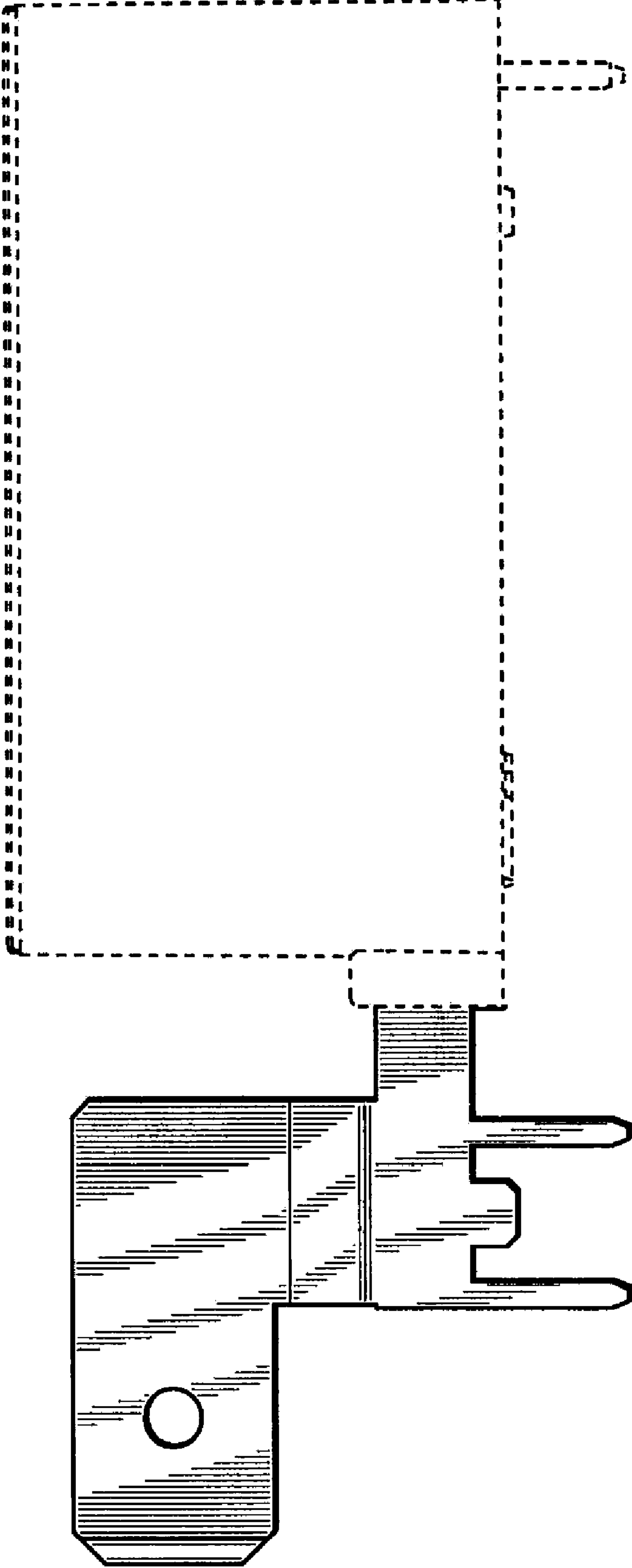


Fig. 5

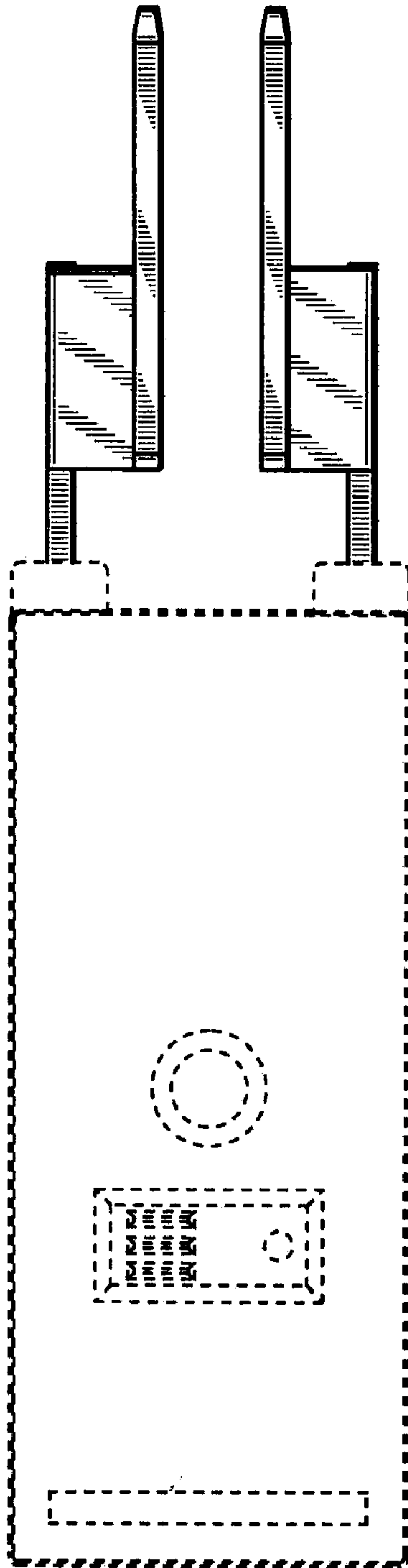


Fig. 6

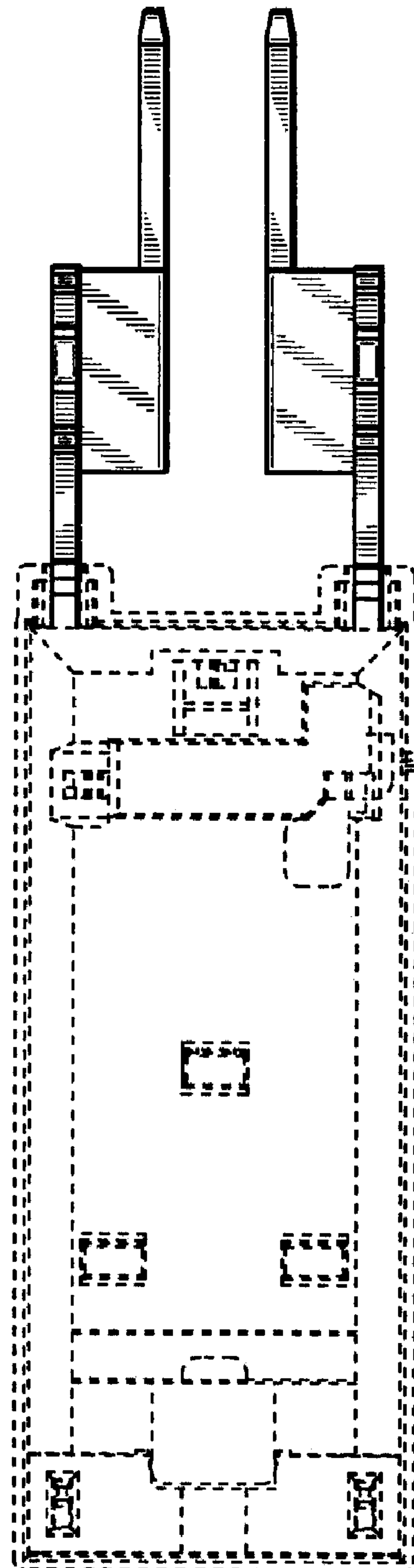


Fig. 8

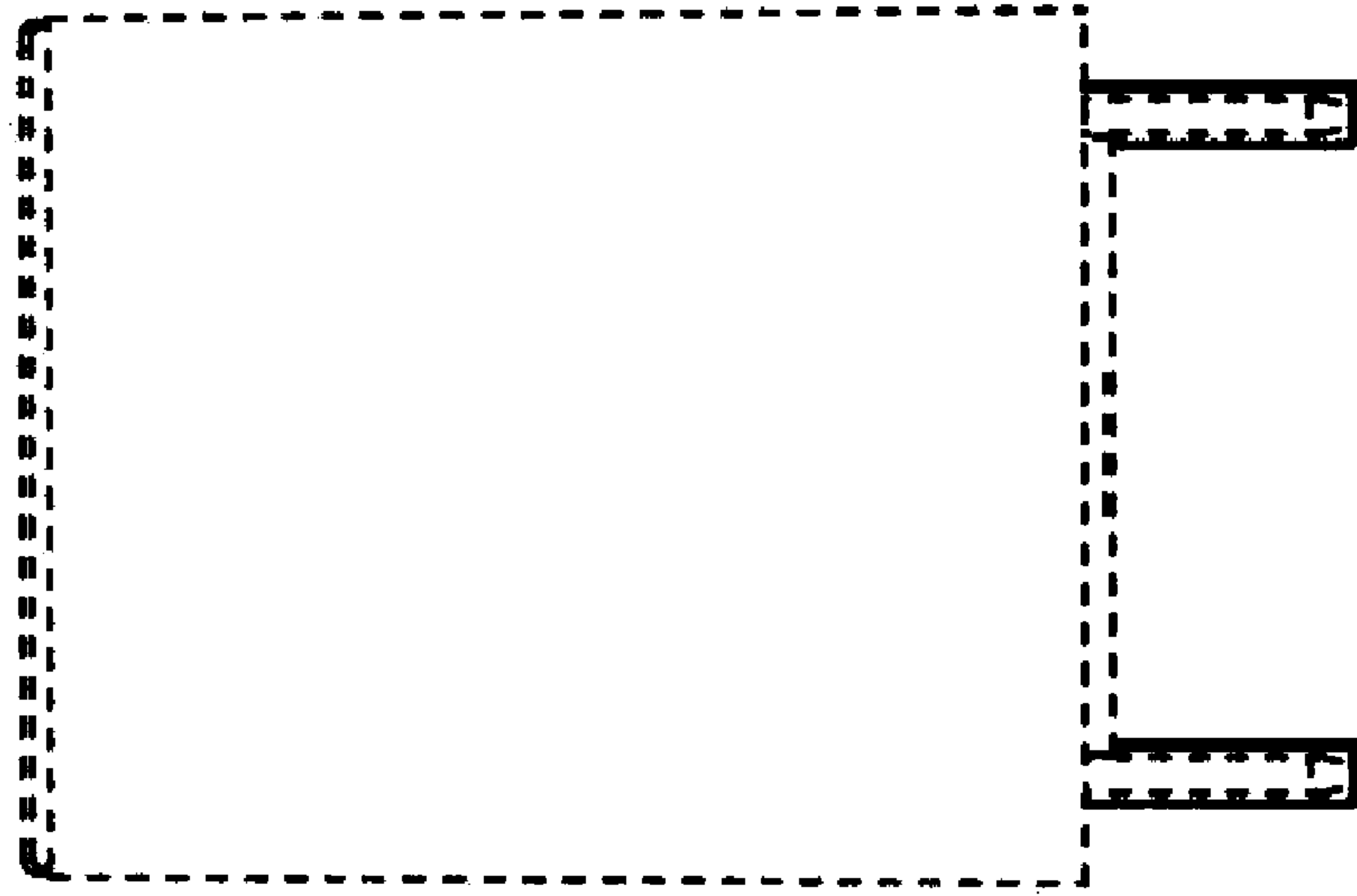


Fig. 7

