



US00D562256S

(12) **United States Design Patent**
Osumi et al.

(10) **Patent No.:** **US D562,256 S**

(45) **Date of Patent:** **** Feb. 19, 2008**

(54) **GAS INSULATED SWITCHGEAR**

(75) Inventors: **Masanori Osumi**, Tokyo (JP); **Hitoshi Sadakuni**, Tokyo (JP); **Osamu Kisanuki**, Tokyo (JP); **Takuya Otsuka**, Tokyo (JP); **Yuki Hyodo**, Tokyo (JP); **Kiyoshi Sonoda**, Tokyo (JP); **Keiichiro Nakamura**, Tokyo (JP); **Yukinori Koike**, Tokyo (JP); **Katsuhiko Nakamura**, Tokyo (JP); **Hitoshi Taniguchi**, Tokyo (JP); **Naochika Yamamoto**, Tokyo (JP)

(73) Assignee: **Mitsubishi Electric Corporation**, Tokyo (JP)

(**) Term: **14 Years**

(21) Appl. No.: **29/267,459**

(22) Filed: **Oct. 16, 2006**

(30) **Foreign Application Priority Data**

Apr. 14, 2006 (JP) 2006-009697

(51) **LOC (8) Cl.** **13-03**

(52) **U.S. Cl.** **D13/158**

(58) **Field of Classification Search** D13/125,
D13/158-177, 182, 184; 218/2, 7, 71, 79,
218/119; 361/312

See application file for complete search history.

(56) **References Cited**

U.S. PATENT DOCUMENTS

4,379,957 A * 4/1983 Calvino 218/2

4,862,319 A *	8/1989	Suzuyama et al.	361/612
D321,508 S *	11/1991	Ramos	D13/160
5,350,892 A *	9/1994	Rozier	218/119
6,573,469 B1 *	6/2003	Piazza	218/7
6,624,372 B1 *	9/2003	Ogawa et al.	218/71
6,683,267 B1 *	1/2004	Piazza et al.	218/2
6,784,392 B1 *	8/2004	Piazza et al.	218/7
D531,132 S *	10/2006	McCord et al.	D13/158
D531,133 S *	10/2006	McCord et al.	D13/158
2004/0037025 A1 *	2/2004	Abe	361/605
2006/0283841 A1 *	12/2006	Sologuren-Sanchez et al. ..	218/79

* cited by examiner

Primary Examiner—Selina Sikder

Assistant Examiner—Thomas J Johannes

(74) *Attorney, Agent, or Firm*—Sughrue Mion, PLLC

(57) **CLAIM**

The ornamental design for a gas insulated switchgear, as shown and described.

DESCRIPTION

FIG. 1 is a front, top and left side perspective view of a gas insulated switchgear, showing our new design;

FIG. 2 is a front elevational view thereof;

FIG. 3 is a rear elevational view thereof;

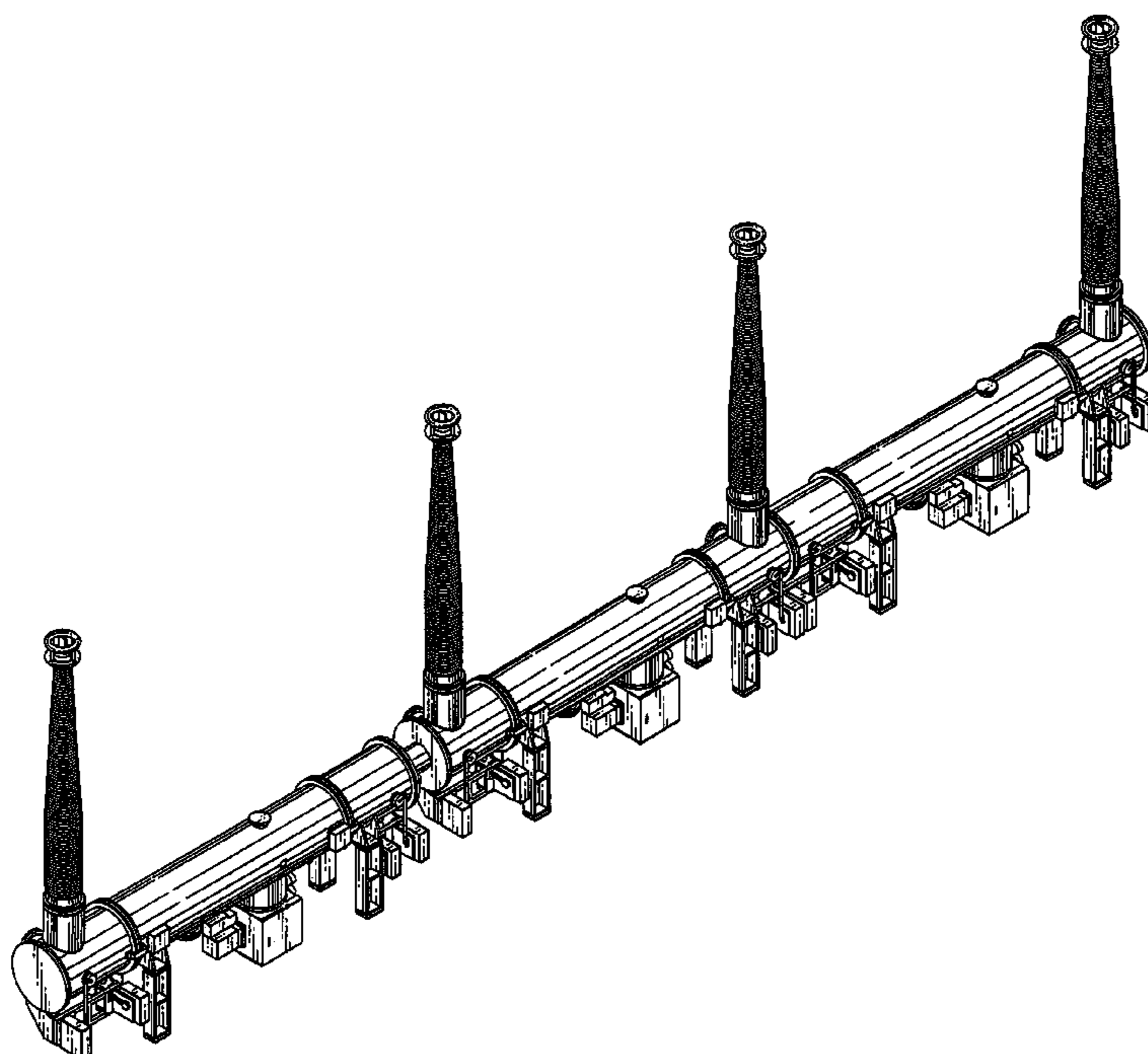
FIG. 4 is a top plan view thereof;

FIG. 5 is a bottom plan view thereof;

FIG. 6 is a left side elevational view thereof; and,

FIG. 7 is a right side elevational view thereof.

1 Claim, 5 Drawing Sheets



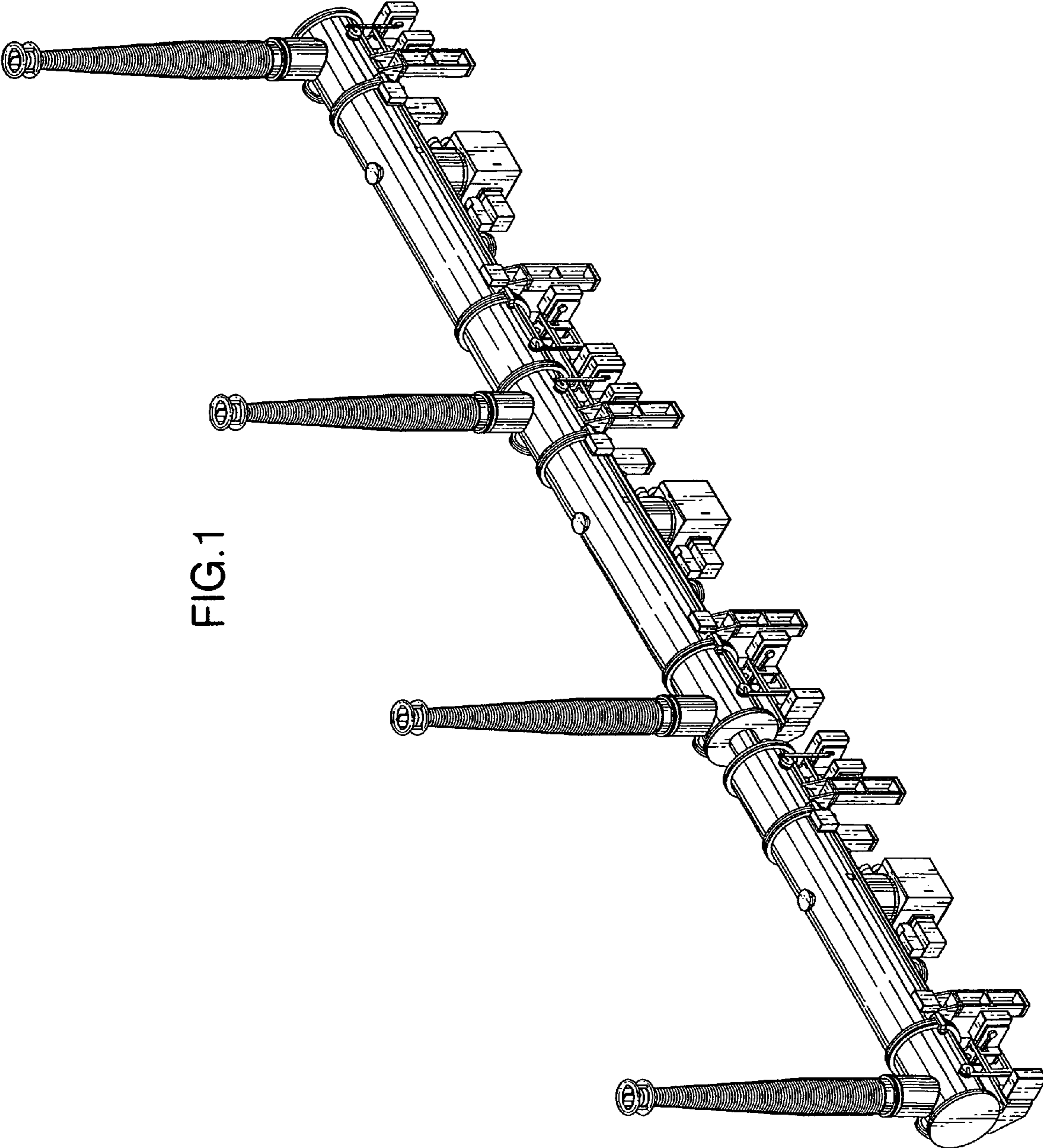


FIG. 1

FIG.2

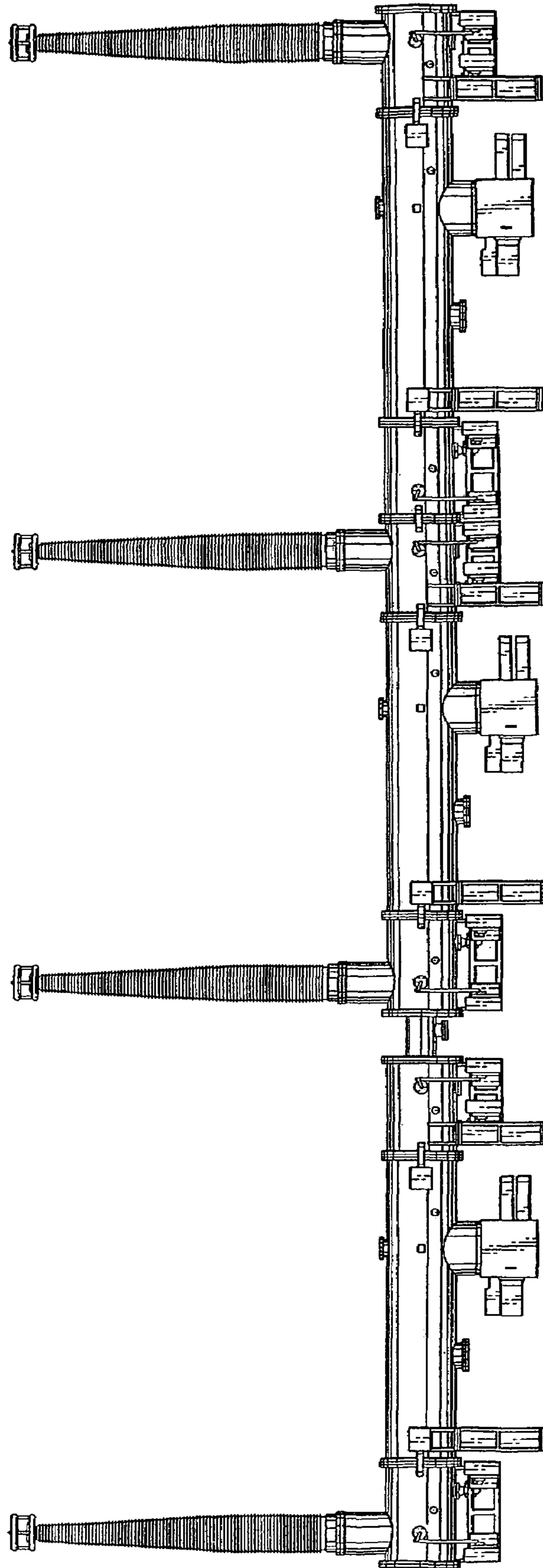


FIG.3

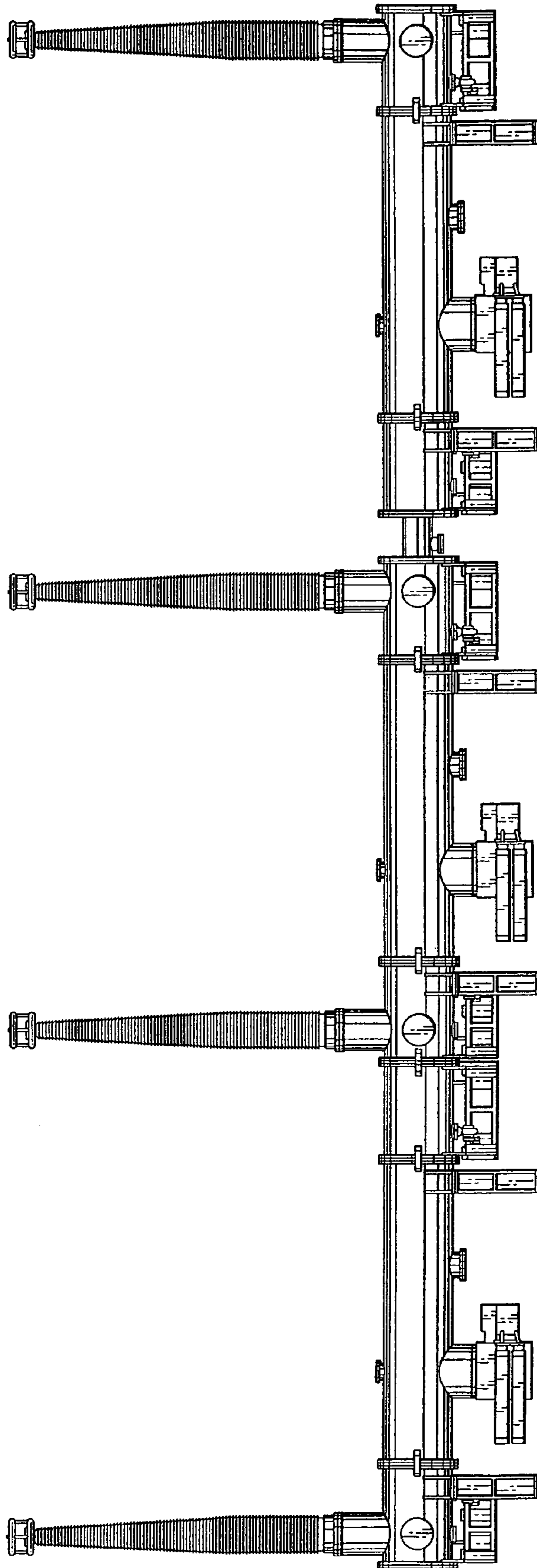


FIG.4

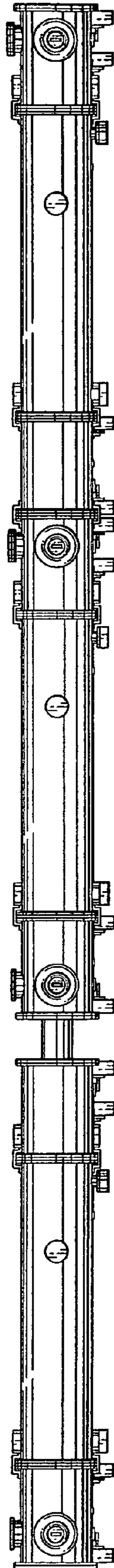


FIG.5

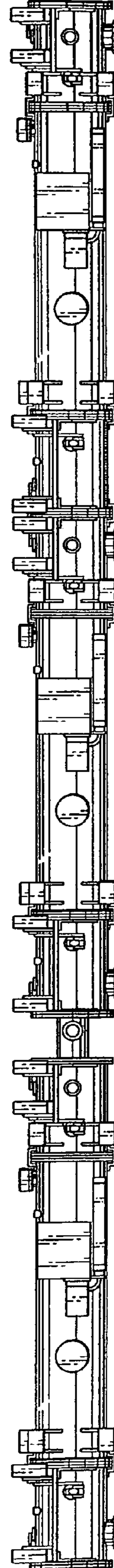


FIG.7

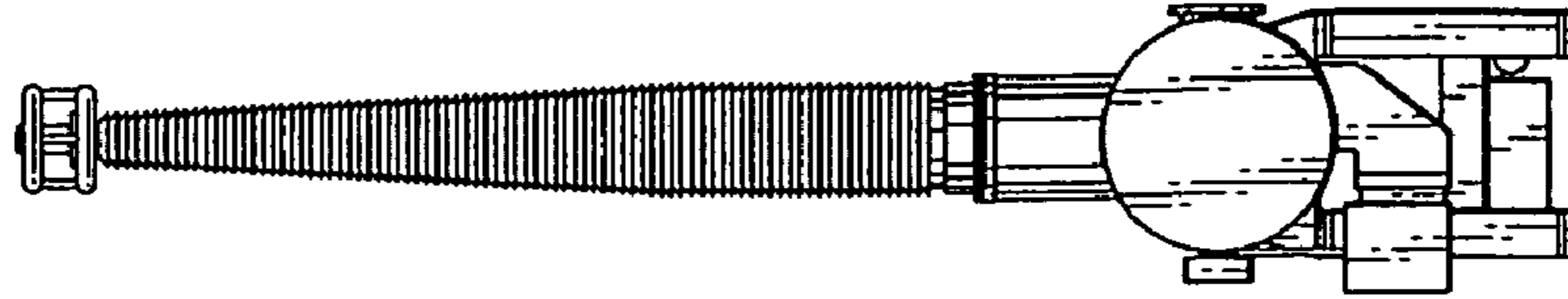


FIG.6

