



US00D562255S

(12) **United States Design Patent**  
**Osumi et al.**

(10) **Patent No.: US D562,255 S**  
(45) **Date of Patent: \*\* Feb. 19, 2008**

(54) **GAS INSULATED SWITCHGEAR**

(75) Inventors: **Masanori Osumi**, Tokyo (JP); **Hitoshi Sadakuni**, Tokyo (JP); **Osamu Kisanuki**, Tokyo (JP); **Takuya Otsuka**, Tokyo (JP); **Yuki Hyodo**, Tokyo (JP); **Kiyoshi Sonoda**, Tokyo (JP); **Keiichiro Nakamura**, Tokyo (JP); **Yukinori Koike**, Tokyo (JP); **Katsuhiko Nakamura**, Tokyo (JP); **Naochika Yamamoto**, Tokyo (JP); **Hitoshi Taniguchi**, Tokyo (JP)

(73) Assignee: **Mitsubishi Electric Corporation**, Tokyo (JP)

(\*\*) Term: **14 Years**

(21) Appl. No.: **29/267,458**

(22) Filed: **Oct. 16, 2006**

(30) **Foreign Application Priority Data**

Apr. 14, 2006 (JP) ..... 2006-009698

(51) **LOC (8) Cl.** ..... **13-03**

(52) **U.S. Cl.** ..... **D13/158**

(58) **Field of Classification Search** ..... D13/125,  
D13/158-177, 182, 184; 218/2, 7, 71, 79,  
218/119; 361/312

See application file for complete search history.

(56) **References Cited**

U.S. PATENT DOCUMENTS

4,379,957 A \* 4/1983 Calvino ..... 218/2

4,862,319 A \* 8/1989 Suzuyama et al. .... 361/612  
D321,508 S \* 11/1991 Ramos ..... D13/160  
5,350,892 A \* 9/1994 Rozier ..... 218/119  
6,573,469 B1 \* 6/2003 Piazza ..... 218/7  
6,624,372 B1 \* 9/2003 Ogawa et al. .... 218/71  
6,683,267 B1 \* 1/2004 Piazza et al. .... 218/2  
6,784,392 B1 \* 8/2004 Piazza et al. .... 218/7  
D531,132 S \* 10/2006 McCord et al. .... D13/158  
D531,133 S \* 10/2006 McCord et al. .... D13/158  
2004/0037025 A1 \* 2/2004 Abe ..... 361/605  
2006/0283841 A1 \* 12/2006 Sologuren-Sanchez et al. .. 218/  
79

\* cited by examiner

*Primary Examiner*—Selina Sikder

*Assistant Examiner*—Thomas J Johannes

(74) *Attorney, Agent, or Firm*—Sughrue Mion, PLLC

(57) **CLAIM**

The ornamental design for a gas insulated switchgear, as shown.

**DESCRIPTION**

FIG. 1 is a front, top and left side perspective view of a gas insulated switchgear, showing our new design;

FIG. 2 is a front elevational view thereof;

FIG. 3 is a rear elevational view thereof;

FIG. 4 is a top plan view thereof;

FIG. 5 is a bottom plan view thereof;

FIG. 6 is a left side elevational view thereof; and,

FIG. 7 is a right side elevational view thereof.

**1 Claim, 3 Drawing Sheets**

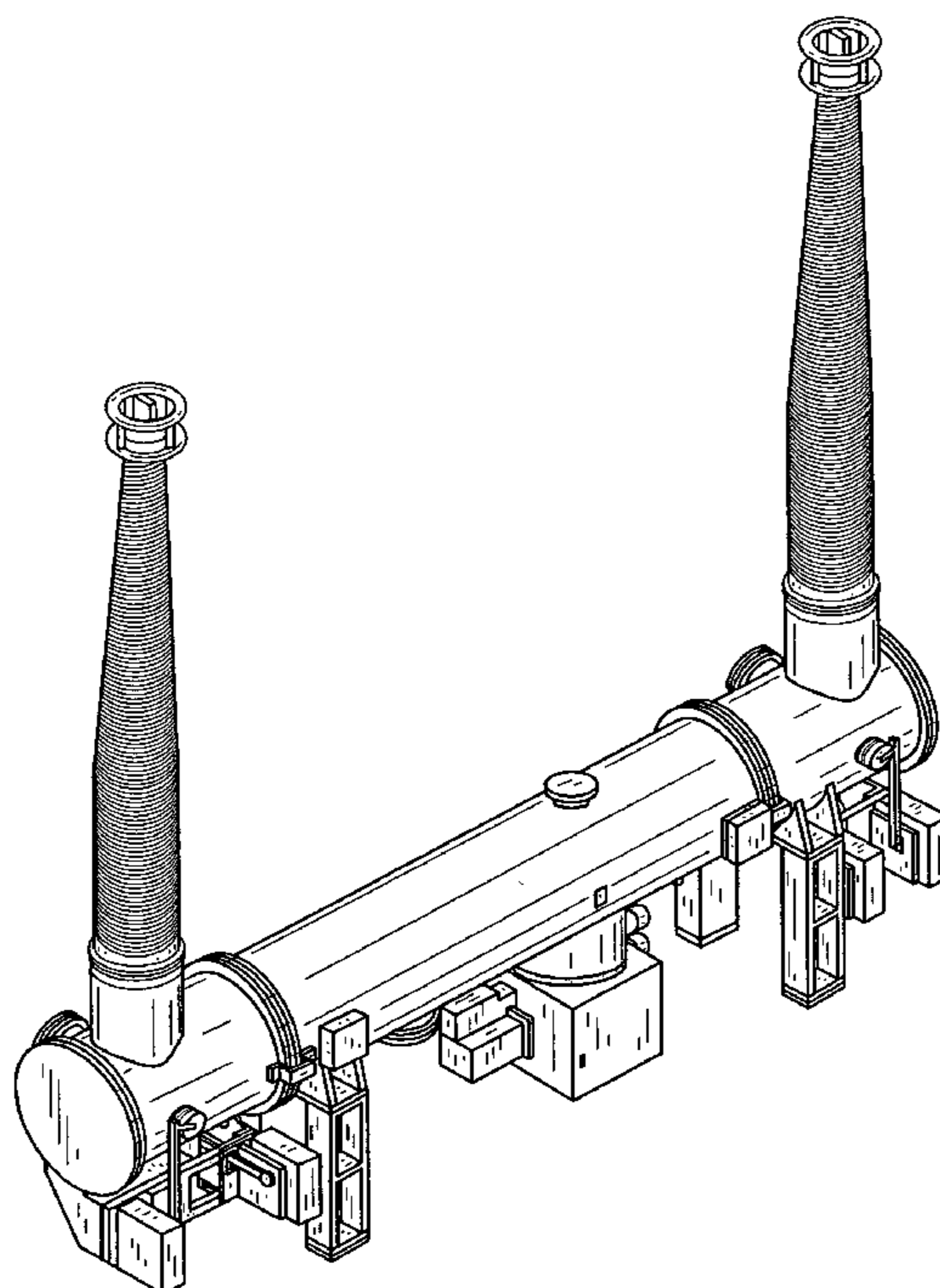


FIG. 1

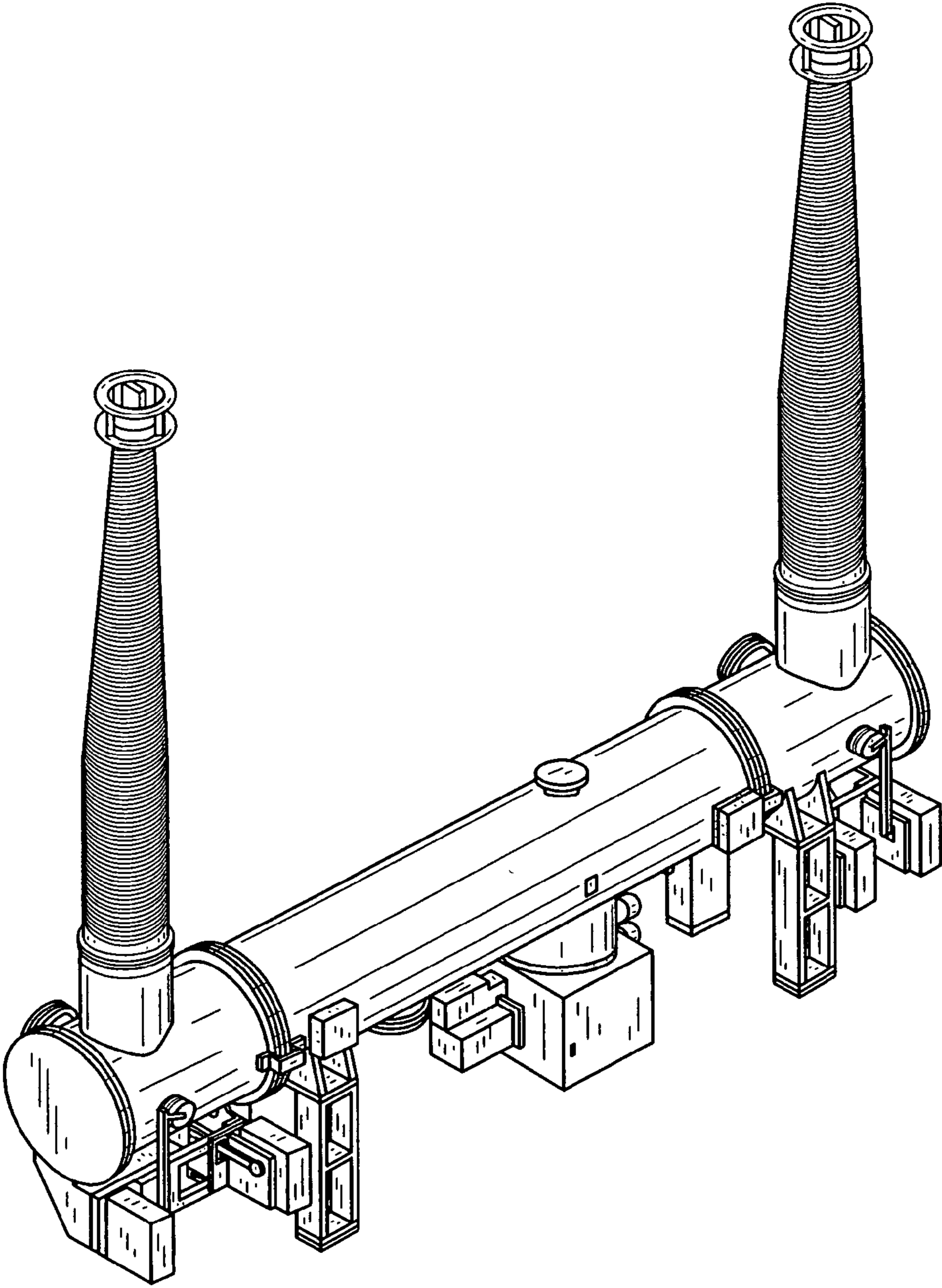


FIG. 2

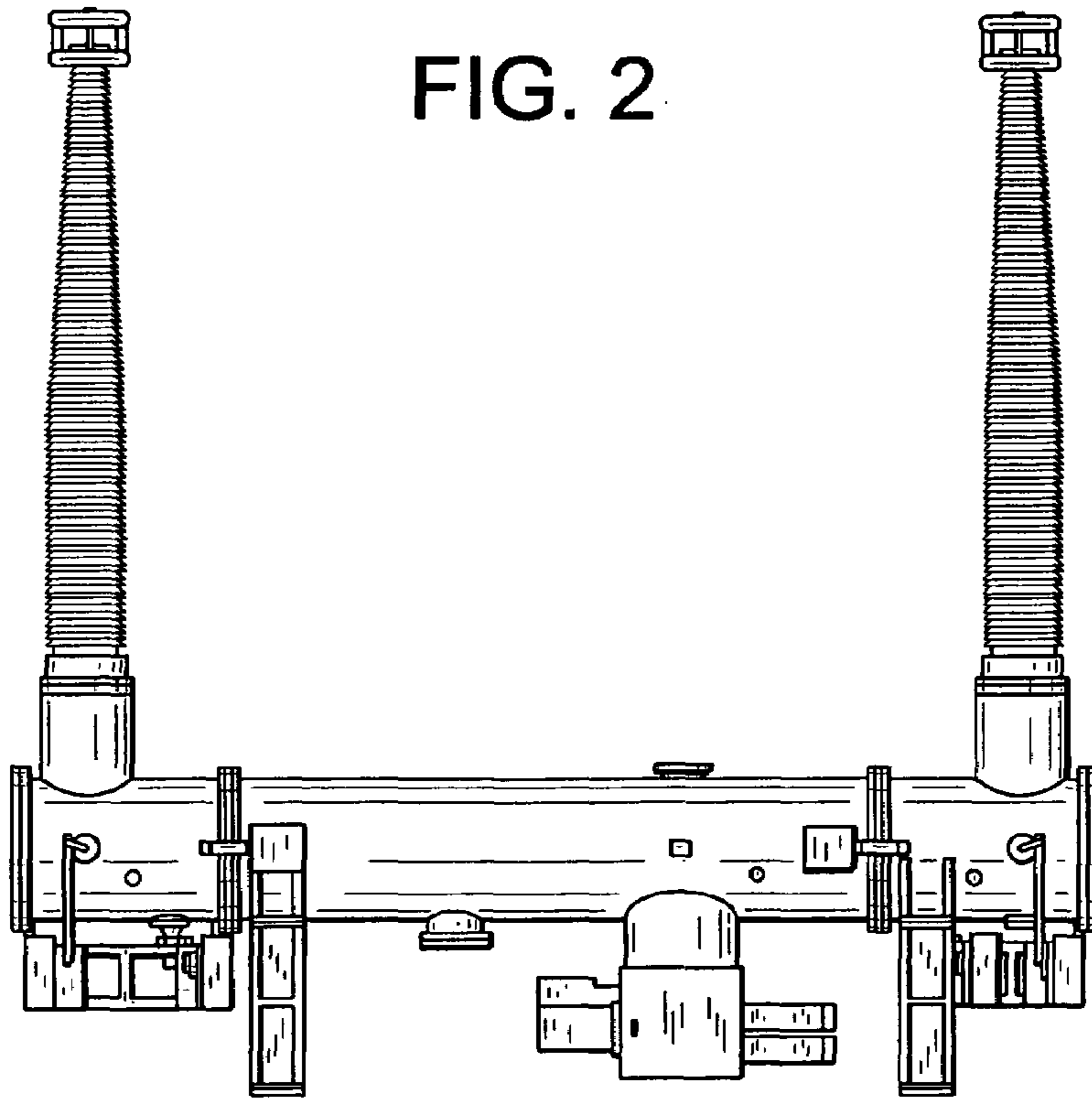


FIG. 3

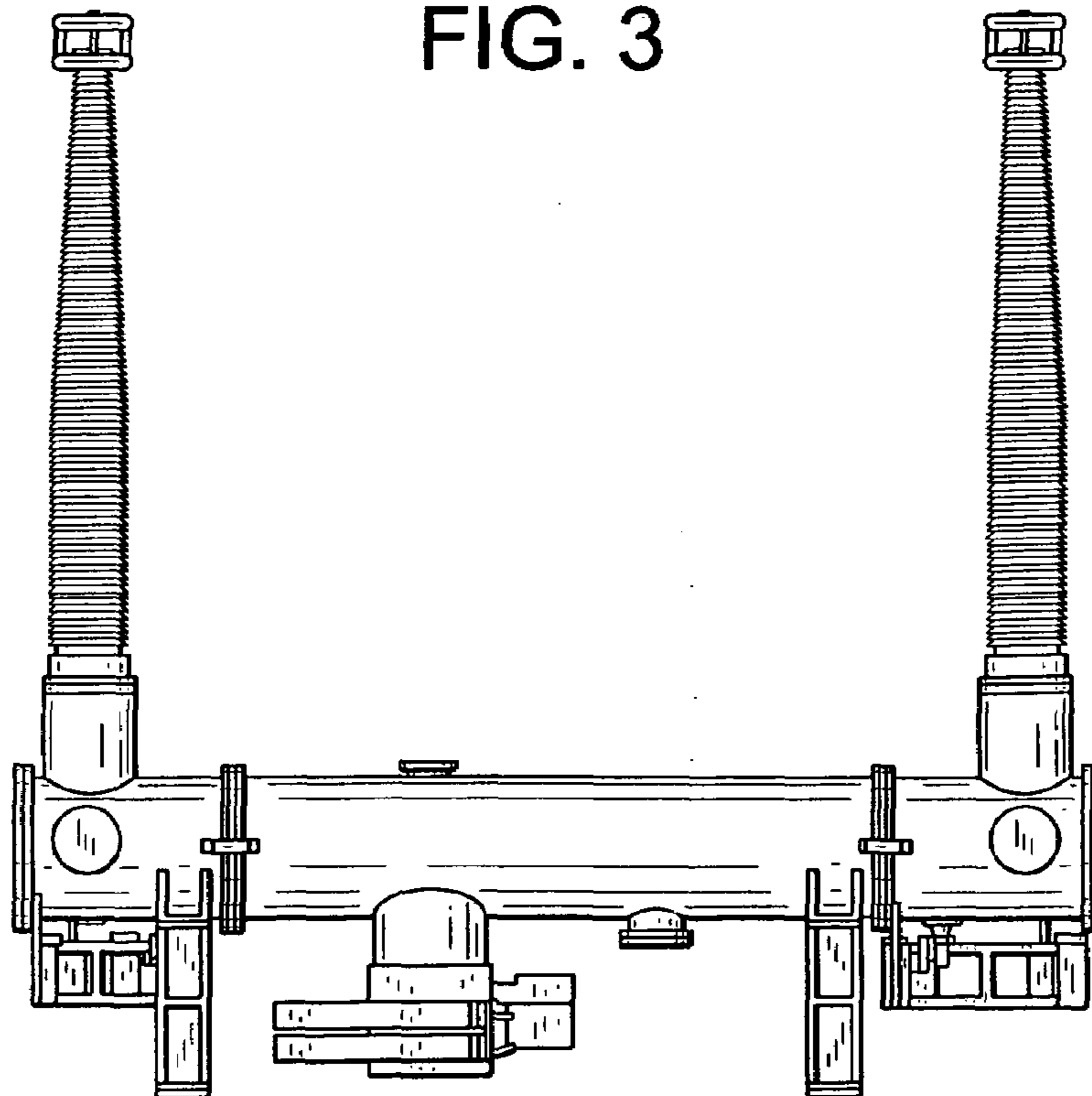


FIG. 4

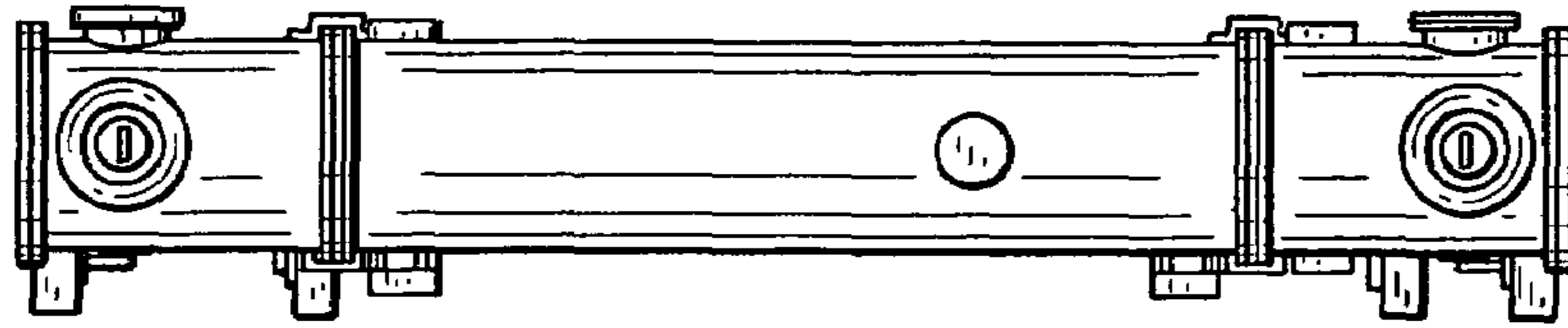


FIG. 5

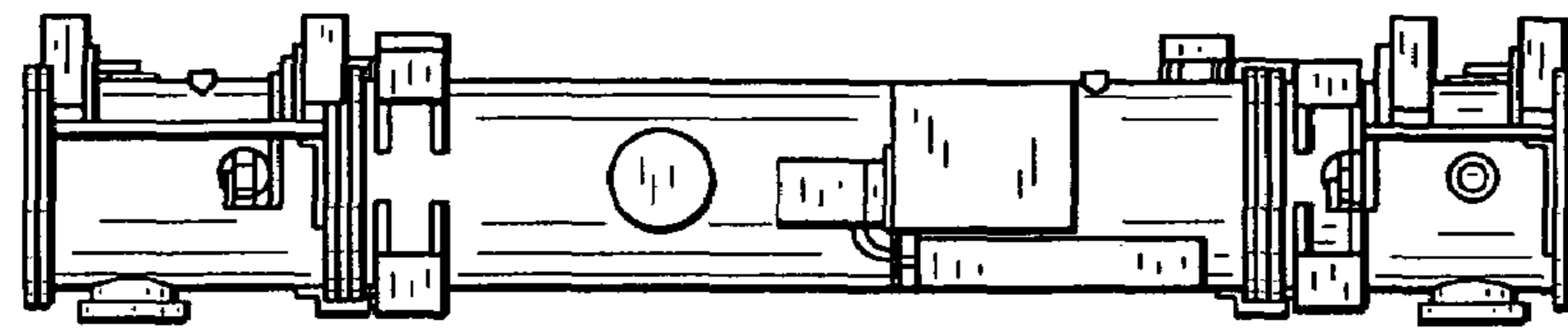


FIG. 6

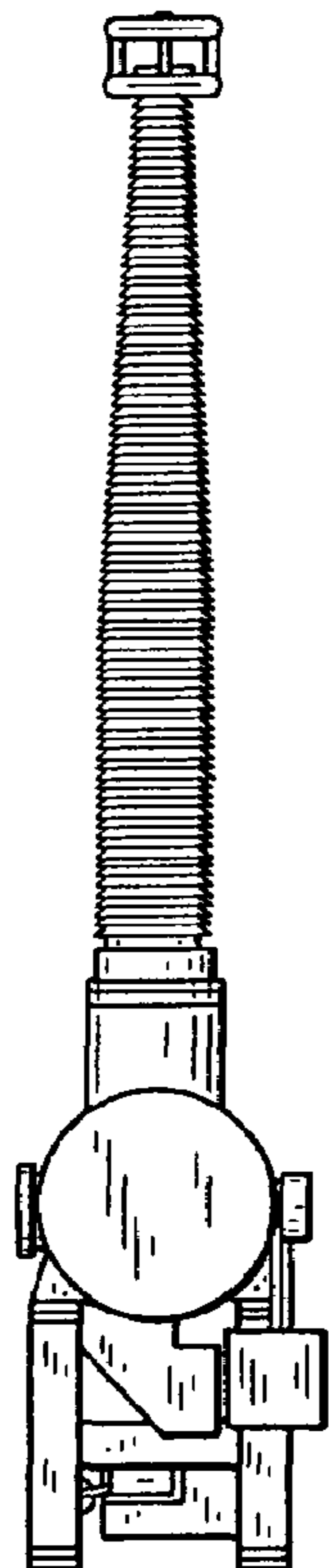


FIG. 7

