

US00D562251S

(12) **United States Design Patent**  
**Ma et al.**

(10) **Patent No.:** **US D562,251 S**  
(45) **Date of Patent:** **\*\* Feb. 19, 2008**

(54) **ELECTRICAL CONNECTOR**

(75) Inventors: **Zhong-Jun Ma**, ShenZhen (CN); **Ji-En Long**, ShenZhen (CN); **Wei-Nan Kuo**, Tu-Cheng (TW)

(73) Assignee: **Hon Hai Precision Ind. Co., Ltd.**, Taipei Hsien (TW)

(\*\*) Term: **14 Years**

(21) Appl. No.: **29/289,885**

(22) Filed: **Aug. 6, 2007**

(30) **Foreign Application Priority Data**

Feb. 5, 2007 (TW) ..... 96300708

(51) **LOC (8) Cl.** ..... **13-03**

(52) **U.S. Cl.** ..... **D13/147; D13/146; D13/133**

(58) **Field of Classification Search** ..... D13/133,  
D13/146-147, 154, 184; D14/432-434,  
D14/436, 438; 439/67, 79, 159-160, 607-610,  
439/629-630, 636, 660

See application file for complete search history.

(56) **References Cited**

**U.S. PATENT DOCUMENTS**

D455,126 S \* 4/2002 Wu ..... D13/147

D485,807 S \* 1/2004 Kao et al. .... D13/133  
D486,448 S \* 2/2004 Watanabe et al. .... D13/120  
D529,443 S \* 10/2006 Chien ..... D13/147  
D535,617 S \* 1/2007 Yoneyama et al. .... D13/133  
D538,228 S \* 3/2007 Wang et al. .... D13/146

\* cited by examiner

*Primary Examiner*—Daniel Bui

(74) *Attorney, Agent, or Firm*—Wei Te Chung

(57) **CLAIM**

The ornamental design for an electrical connector, as shown and described.

**DESCRIPTION**

FIG. 1 is a top, front and left side perspective view of an electrical connector, showing our new design;

FIG. 2 is a front elevational view thereof;

FIG. 3 is a rear elevational view thereof;

FIG. 4 is a left side elevational view thereof;

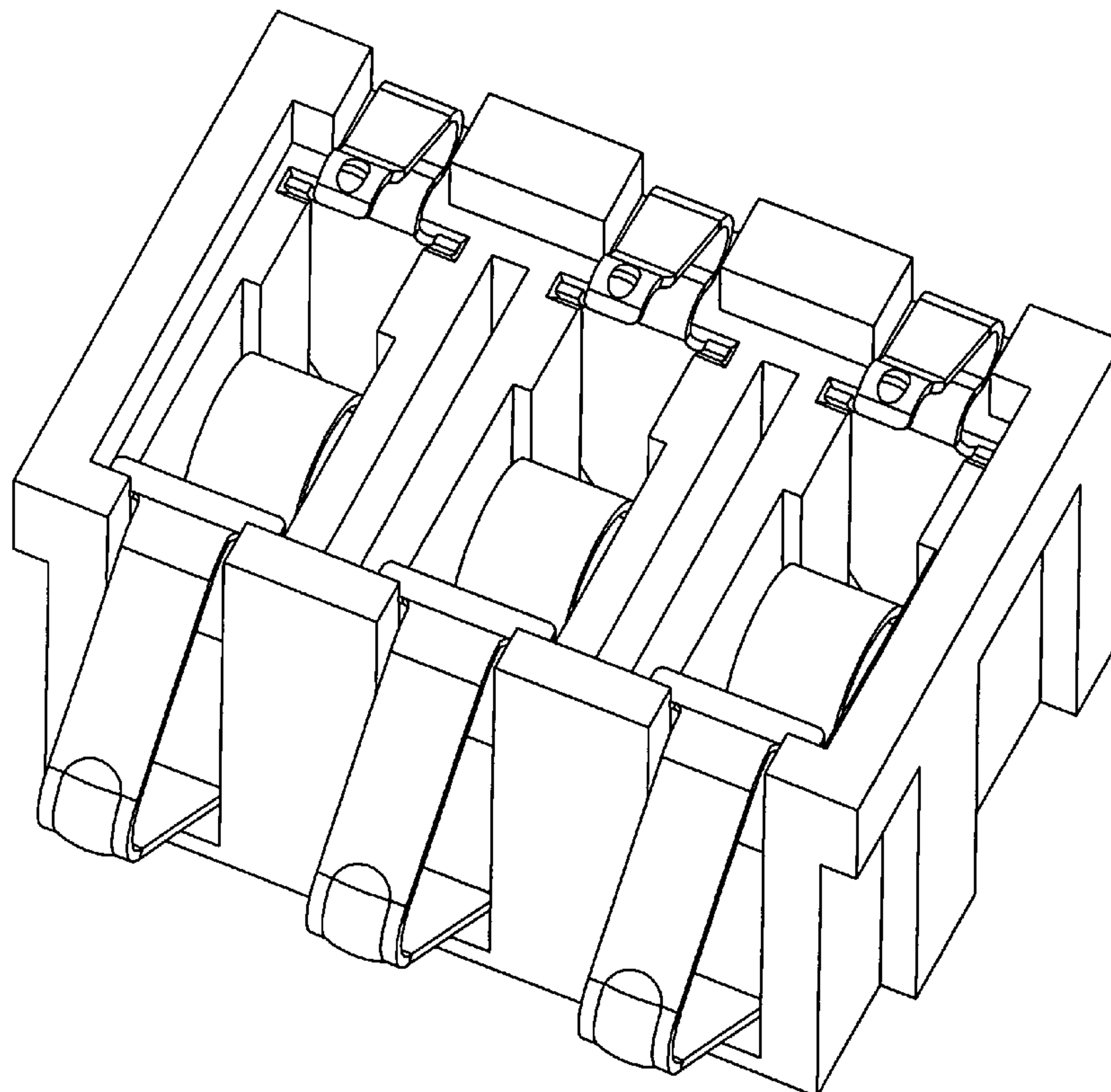
FIG. 5 is a right side elevational view thereof;

FIG. 6 is a top plan view thereof;

FIG. 7 is a bottom plan view thereof; and,

FIG. 8 is a cross-sectional view thereof, taken along line "8-8" in FIG. 2.

**1 Claim, 8 Drawing Sheets**



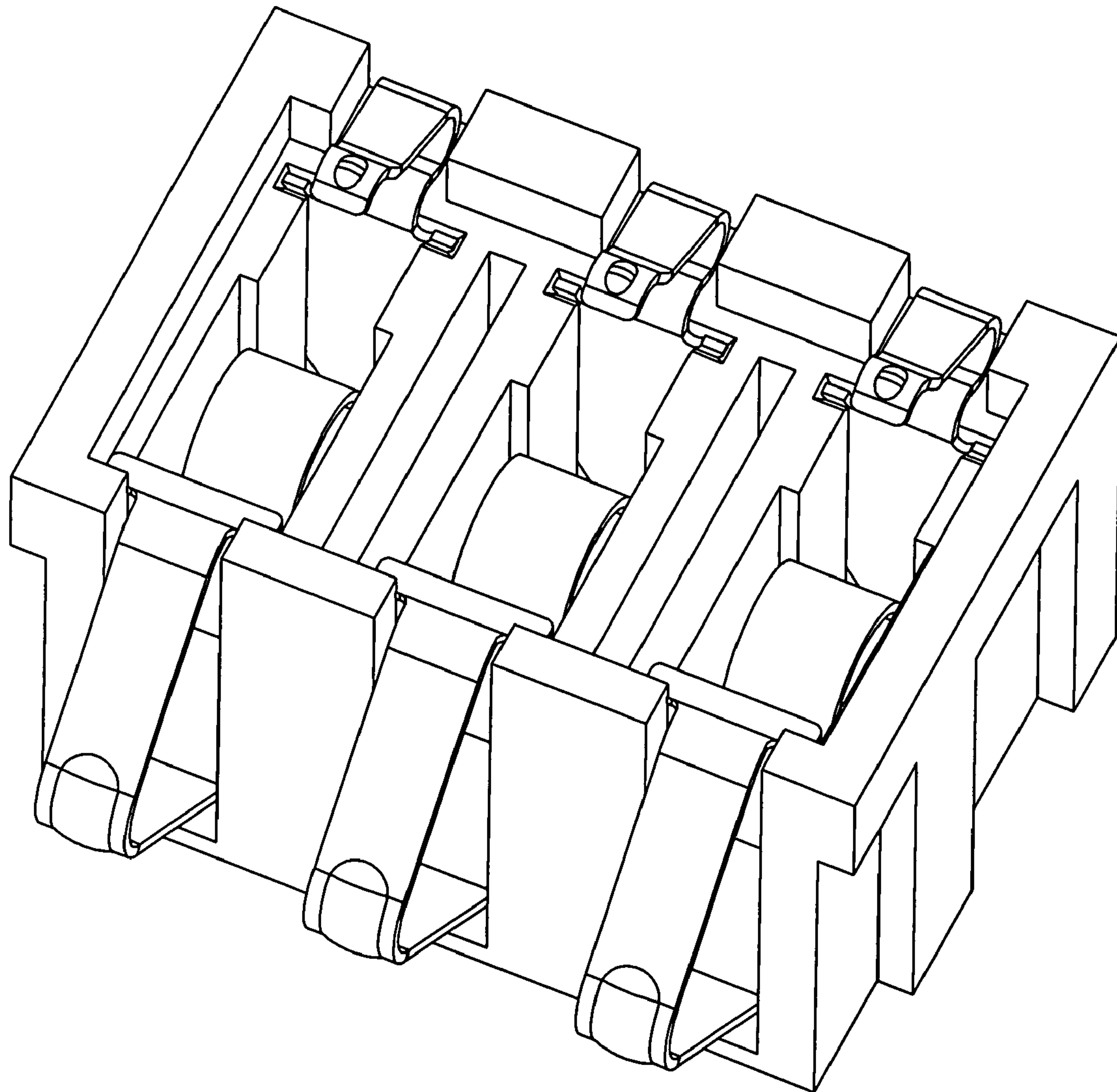


FIG. 1

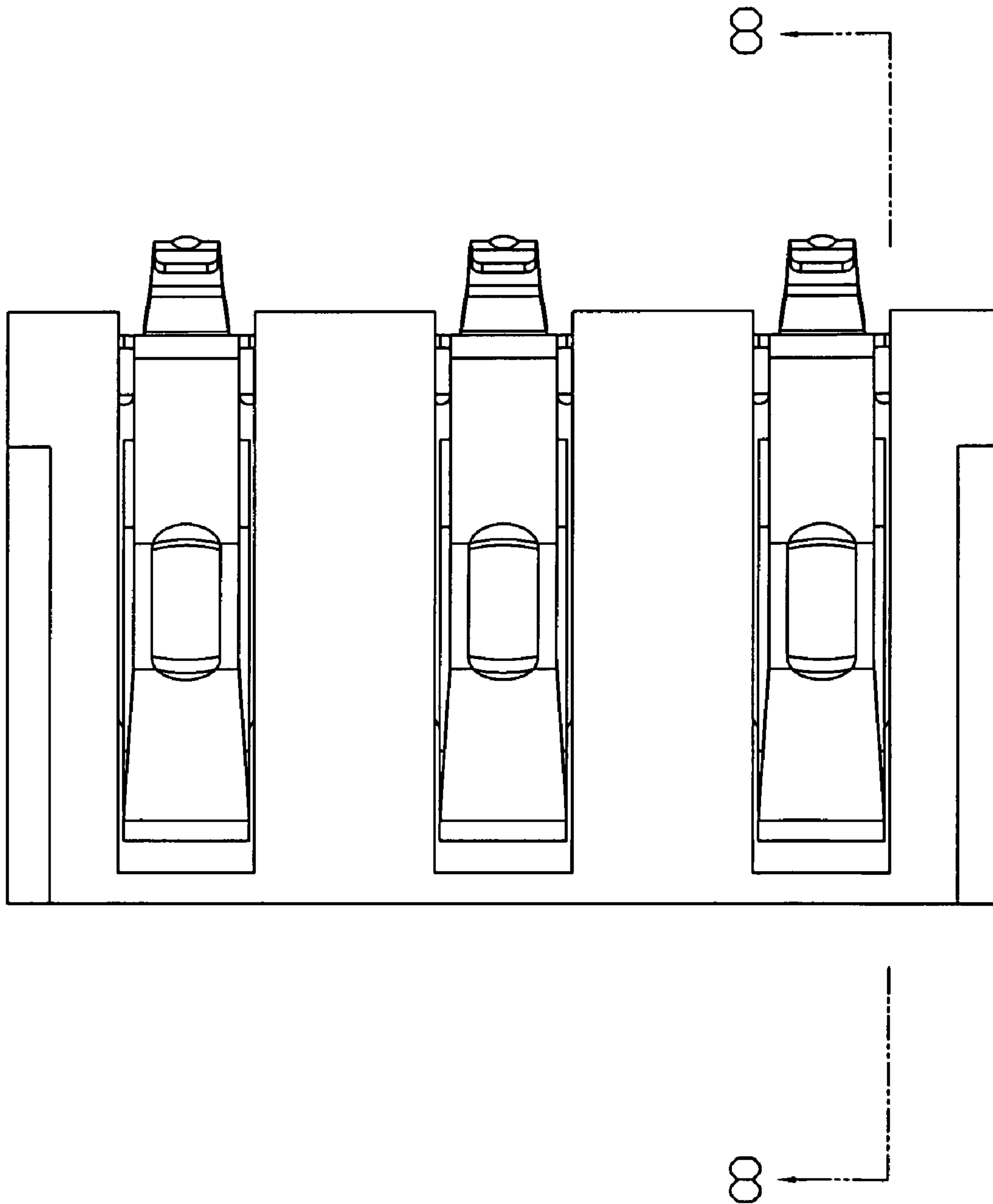


FIG. 2

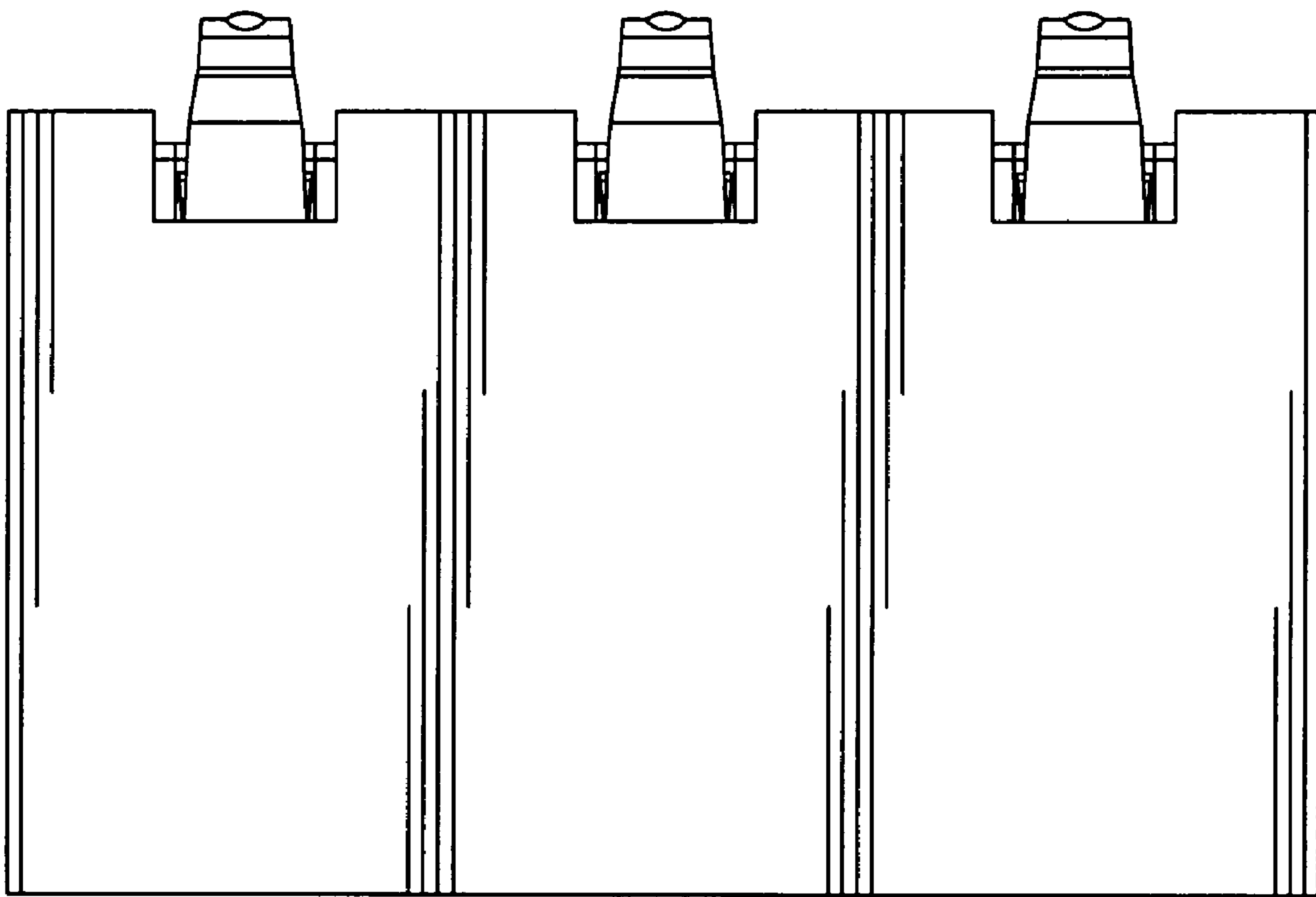


FIG. 3

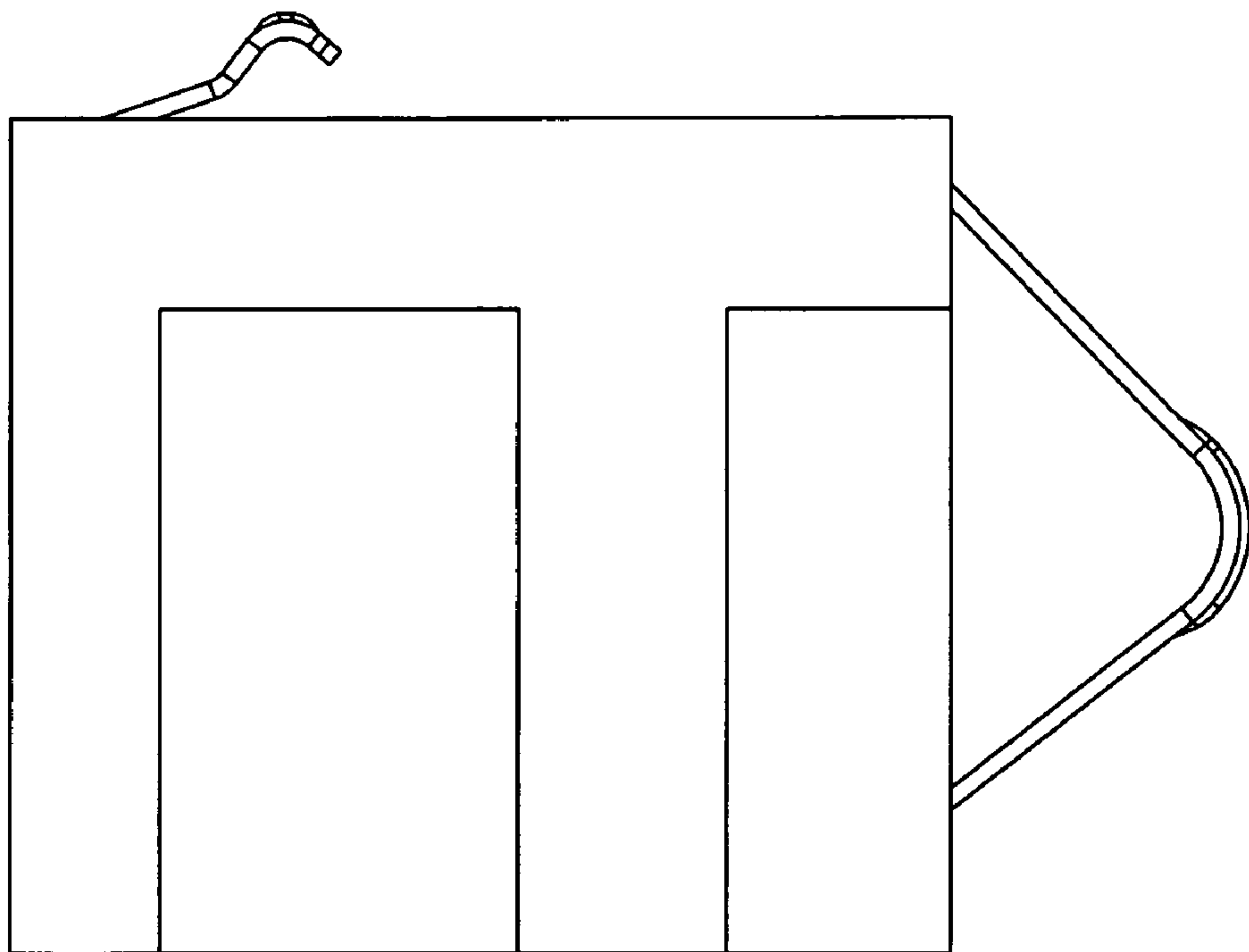


FIG. 4

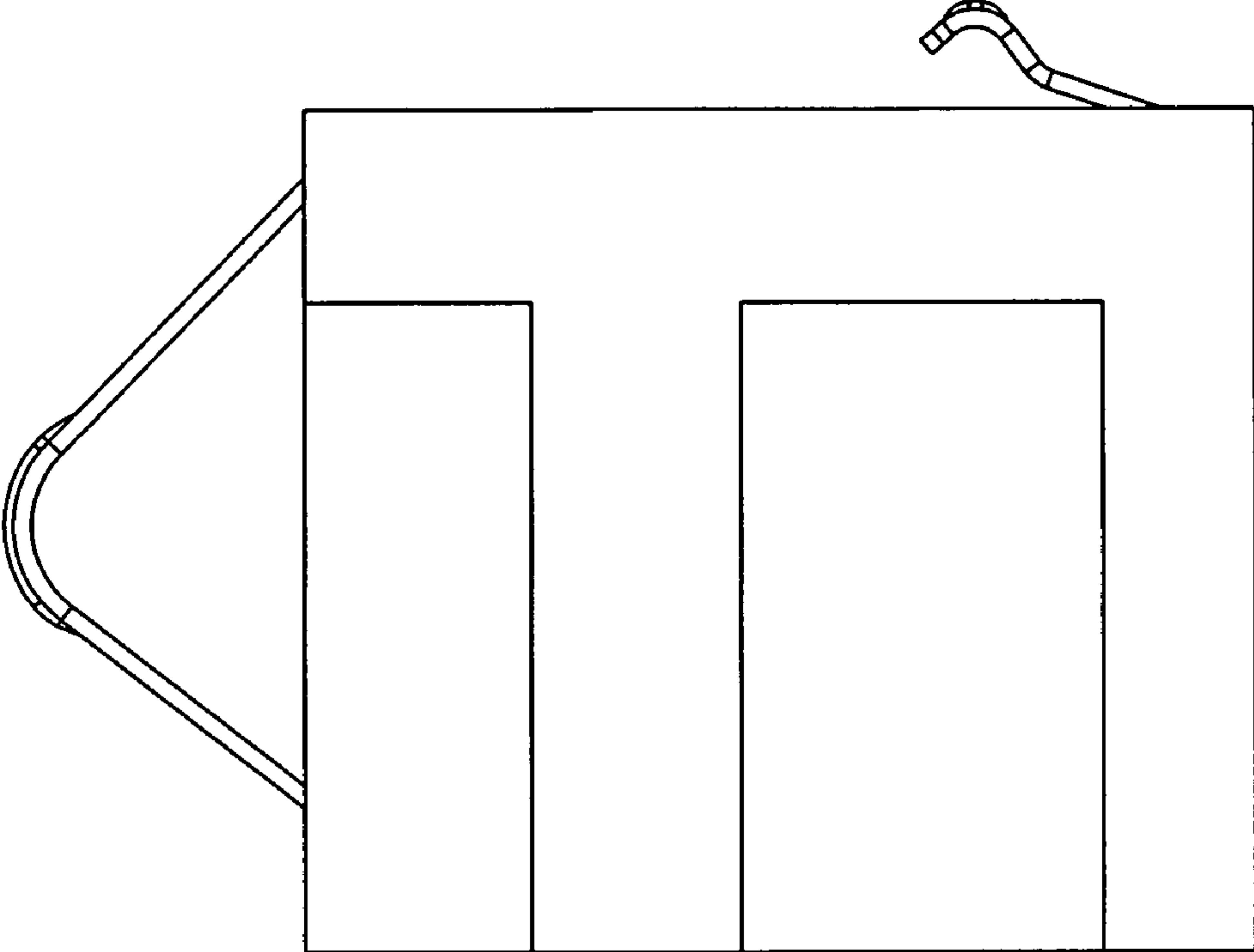


FIG. 5

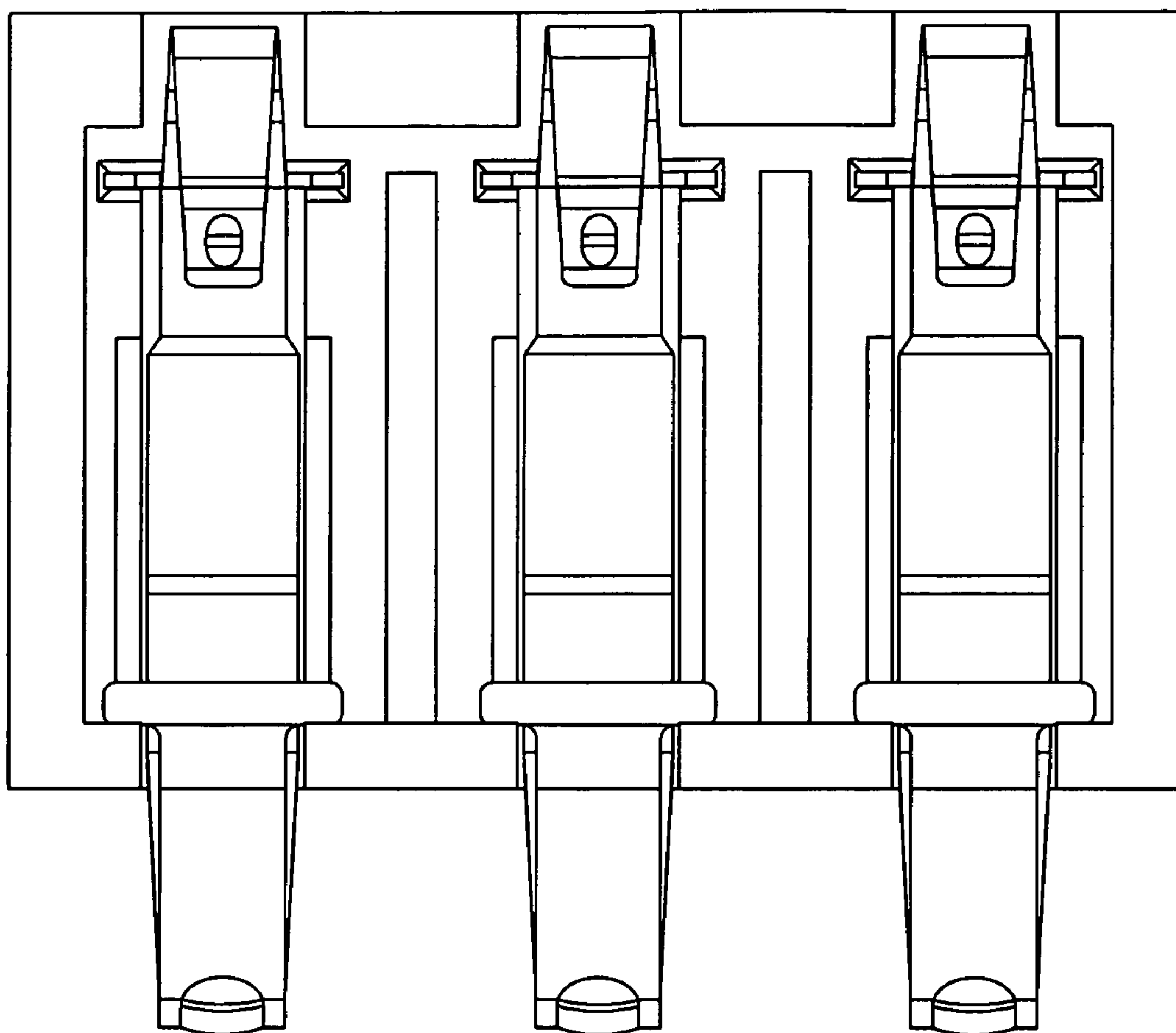


FIG. 6

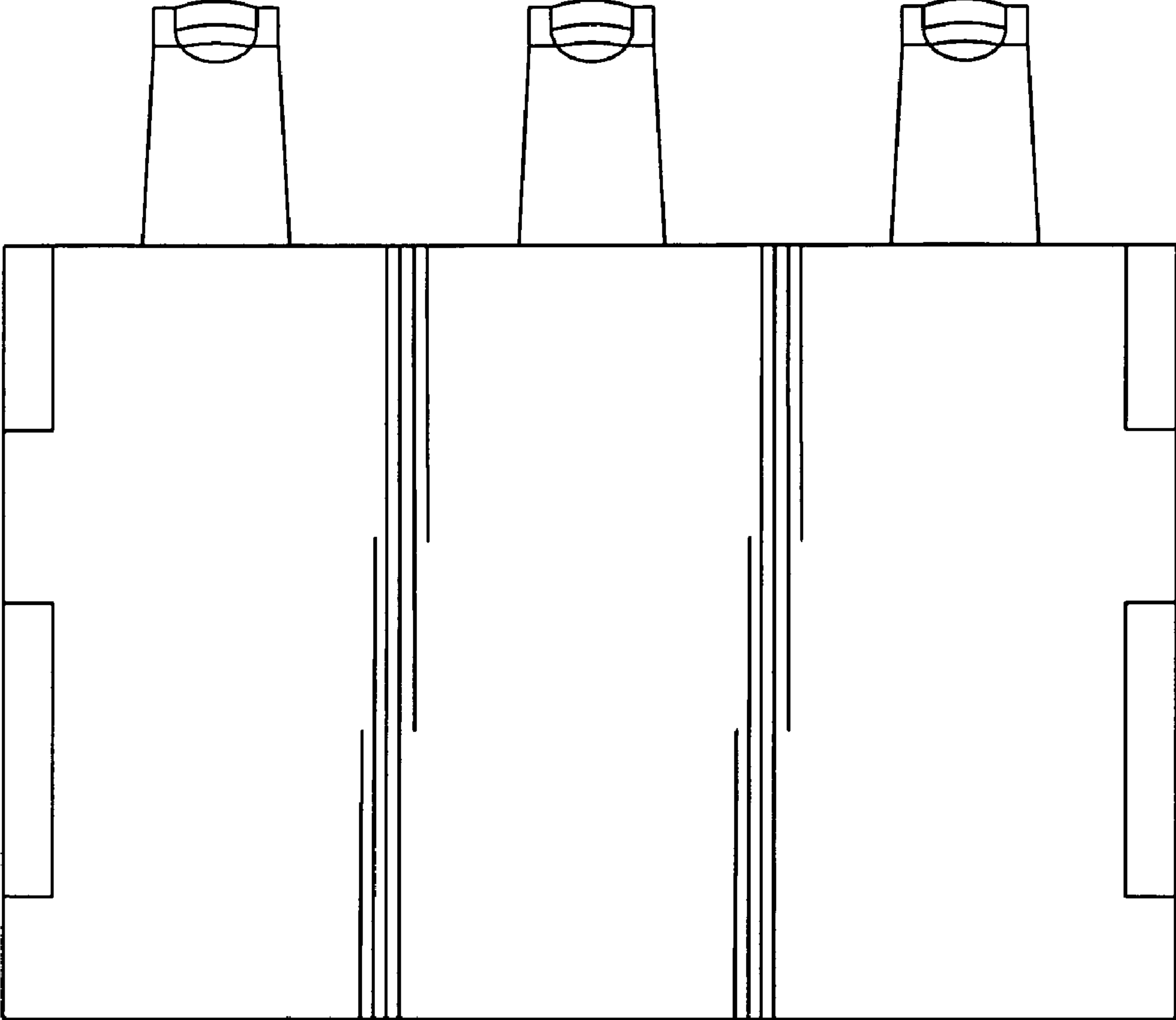


FIG. 7



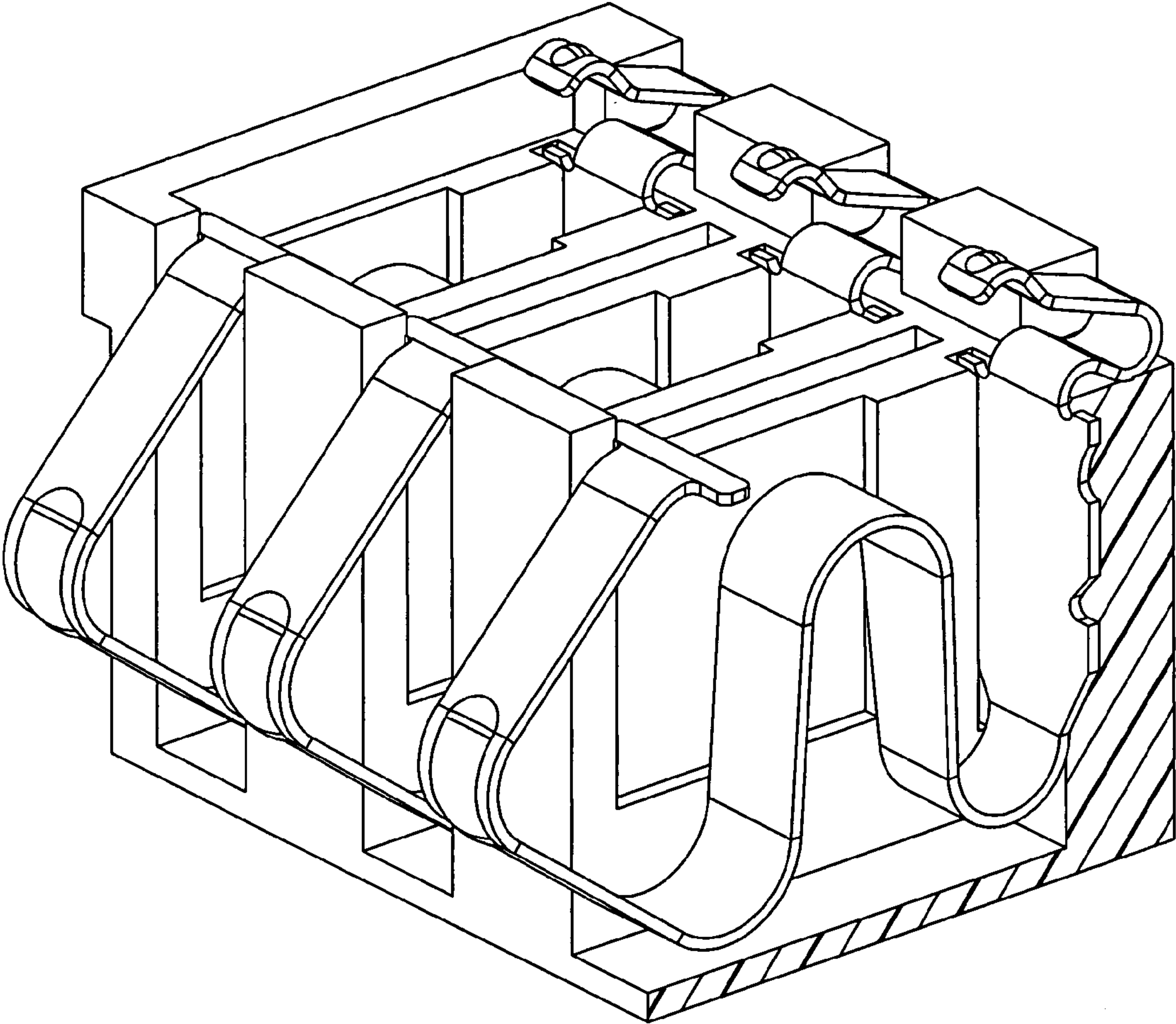


FIG. 8